



US00D433819S

# United States Patent [19] Thunderchild

[11] Patent Number: Des. 433,819

[45] Date of Patent: \*\* Nov. 21, 2000

[54] CURB CEMENT FINISHING BRUSH

5,098,278 3/1992 Brandvold ..... 425/458  
5,906,455 5/1999 McLaughlin ..... 404/97

[76] Inventor: Wayne Thunderchild, 12404 E. Gibson Rd., Apt. B208, Everett, Wash. 98204

Primary Examiner—Alan P. Douglas  
Assistant Examiner—Lavone Tabor  
Attorney, Agent, or Firm—Dean A. Craine

[\*\*] Term: 14 Years

[21] Appl. No.: 29/114,456

### [57] CLAIM

[22] Filed: Nov. 24, 1999

The ornamental design for a curb cement finishing brush, as shown and described.

[51] LOC (7) Cl. .... 04-01

### DESCRIPTION

[52] U.S. Cl. .... D4/132

[58] Field of Search ..... D4/130, 132, 135,  
D4/199; 15/146, 159.1, 160, 171, 176.1,  
186, 187

FIG. 1 is a perspective view of the cement step finishing brush.

FIG. 2 is a left side view of the invention.

FIG. 3 is a right side view of the invention.

FIG. 4 is a top plan view of the invention.

FIG. 5 is a bottom plan view of the invention.

FIG. 6 is a front elevational view of the invention; and,

FIG. 7 is a rear elevational view of the invention.

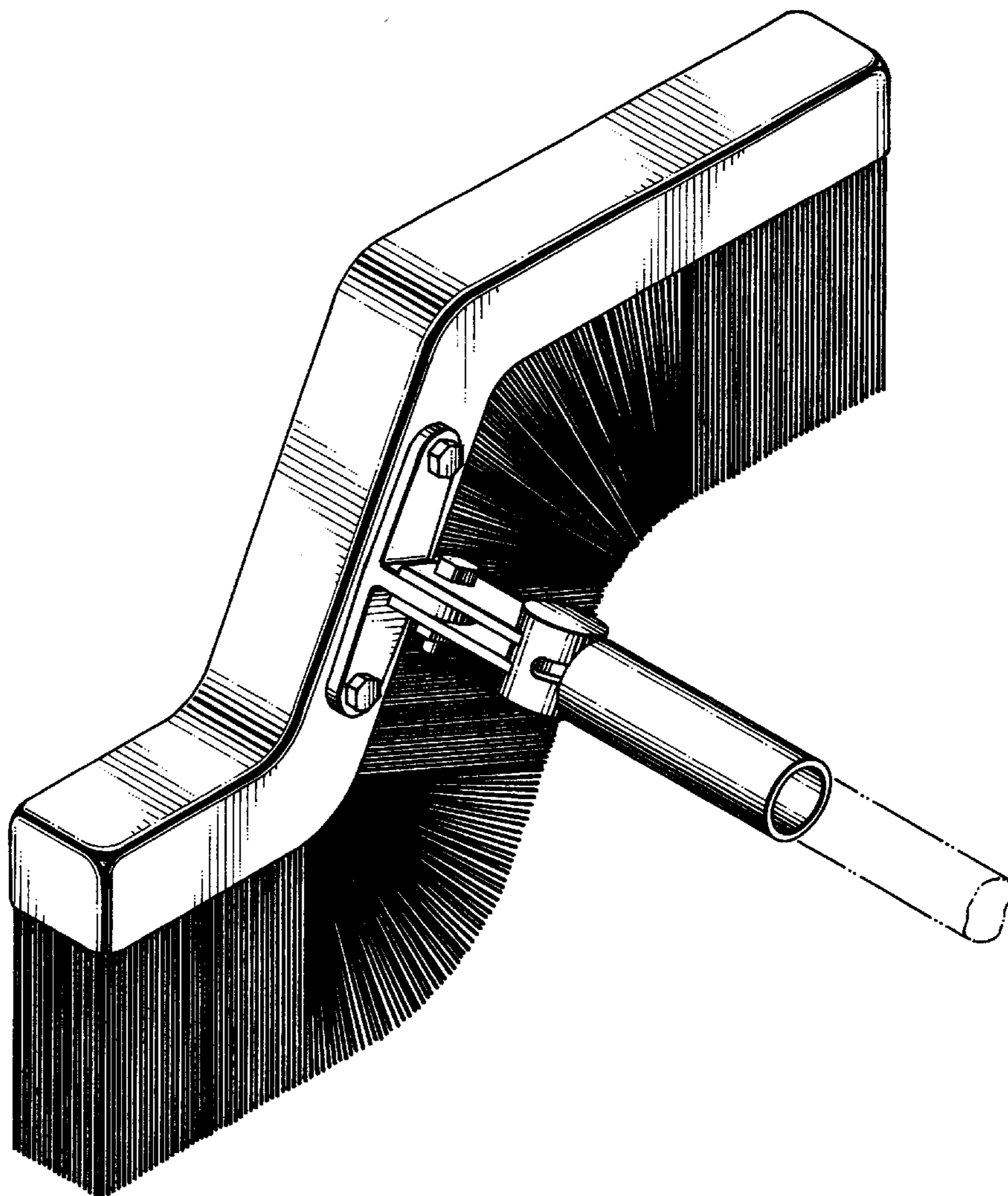
The broken line structure that is shown in FIG. 1 is for illustrative purposes only and forms no part of the claimed design.

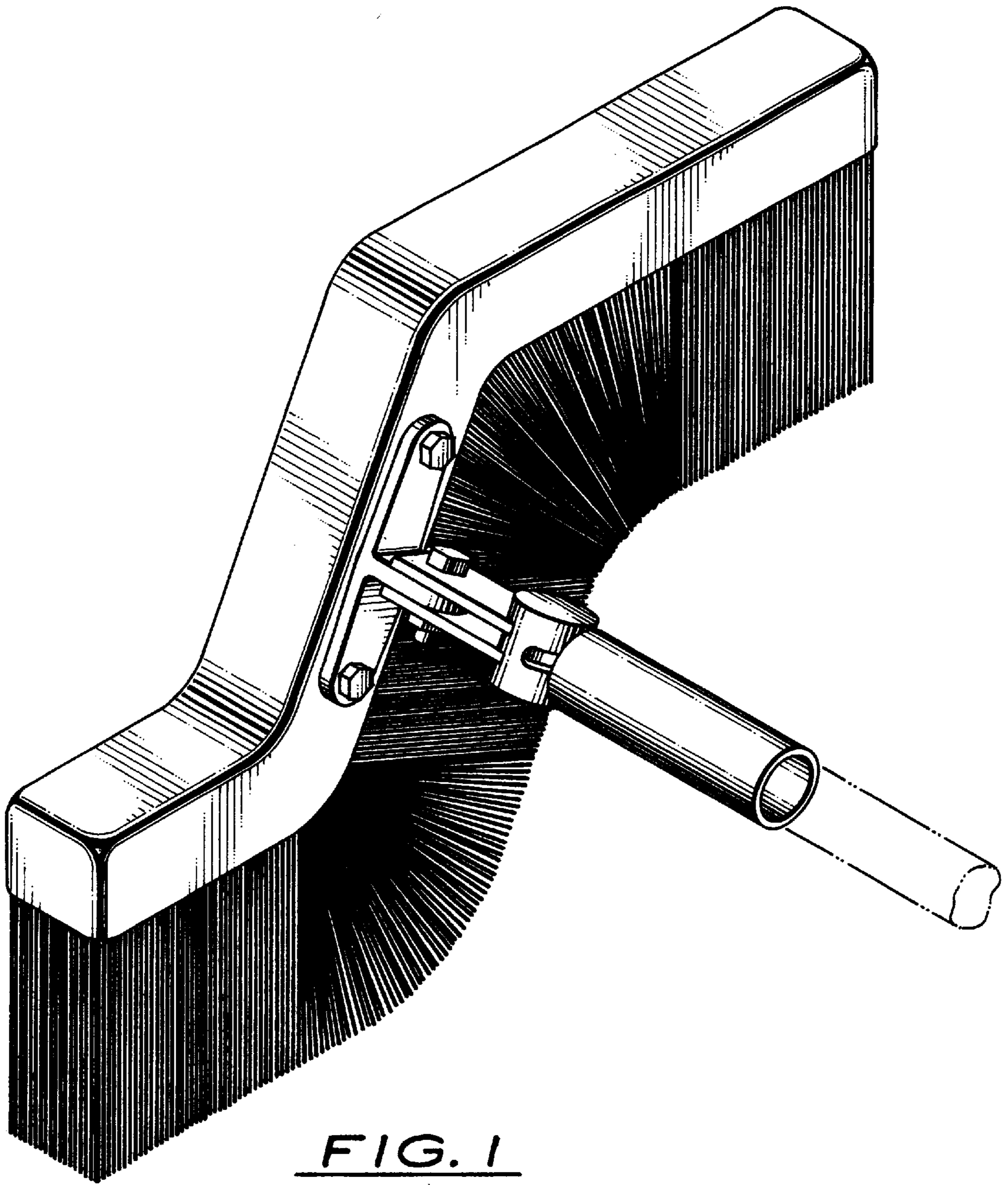
### [56] References Cited

#### U.S. PATENT DOCUMENTS

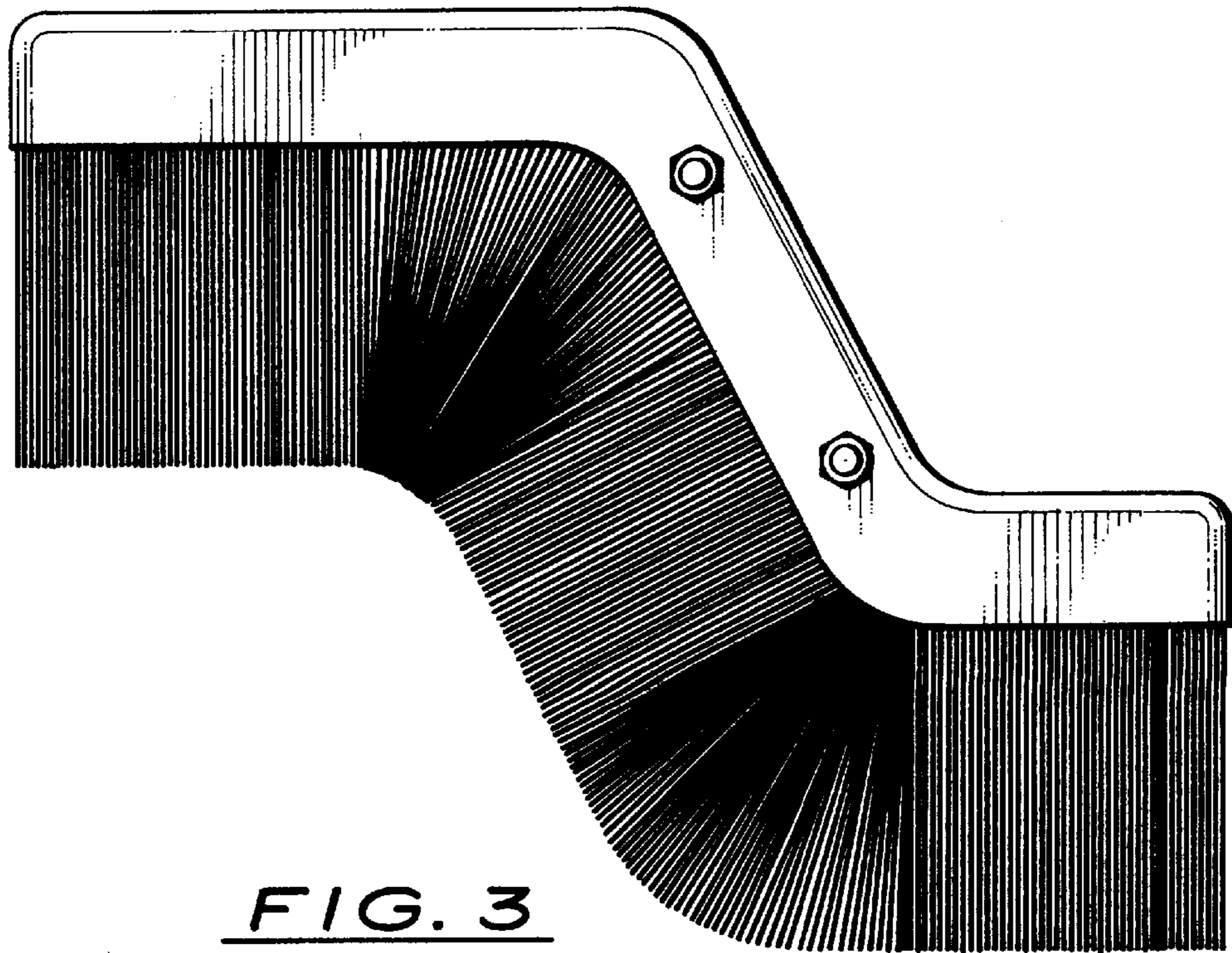
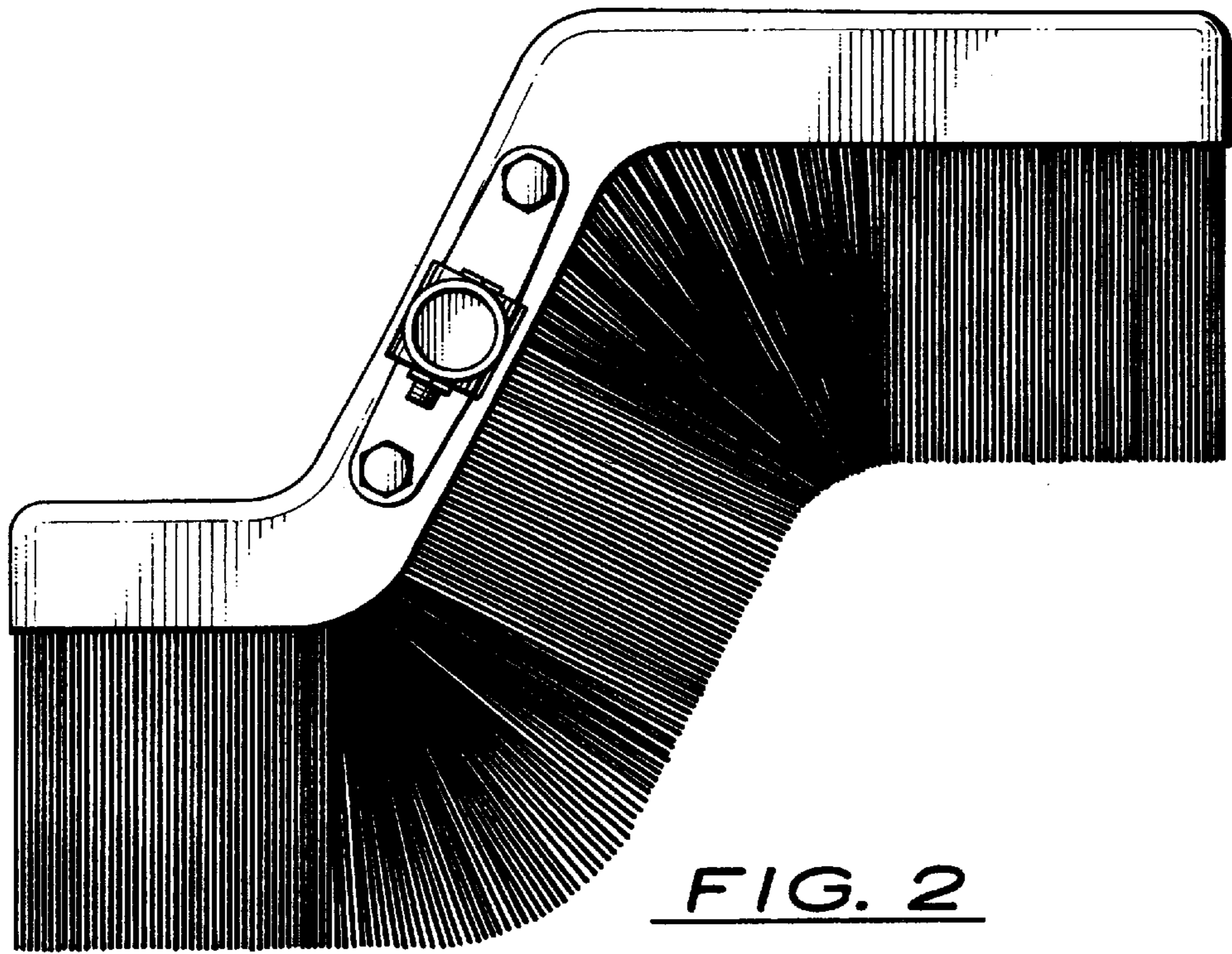
D. 407,901	4/1999	Burton	.....	D4/135
2,671,918	3/1954	Jones	.....	15/146 X
4,208,755	6/1980	Shepherd	.....	15/160
4,230,441	10/1980	Heronema	.....	425/87
4,554,699	11/1985	Simmons	.....	15/201
4,882,802	11/1989	LeVere, Jr.	.....	15/160 X

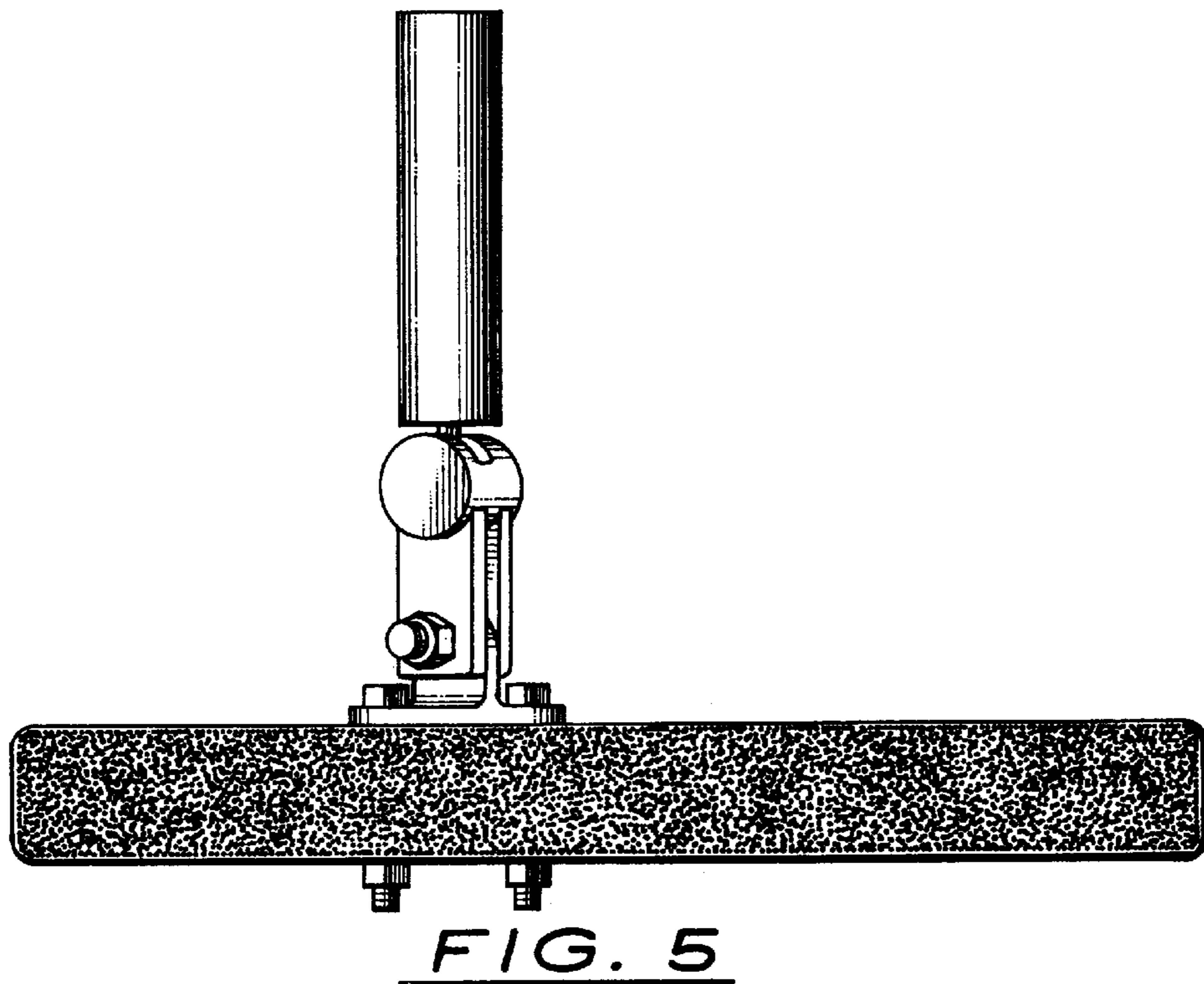
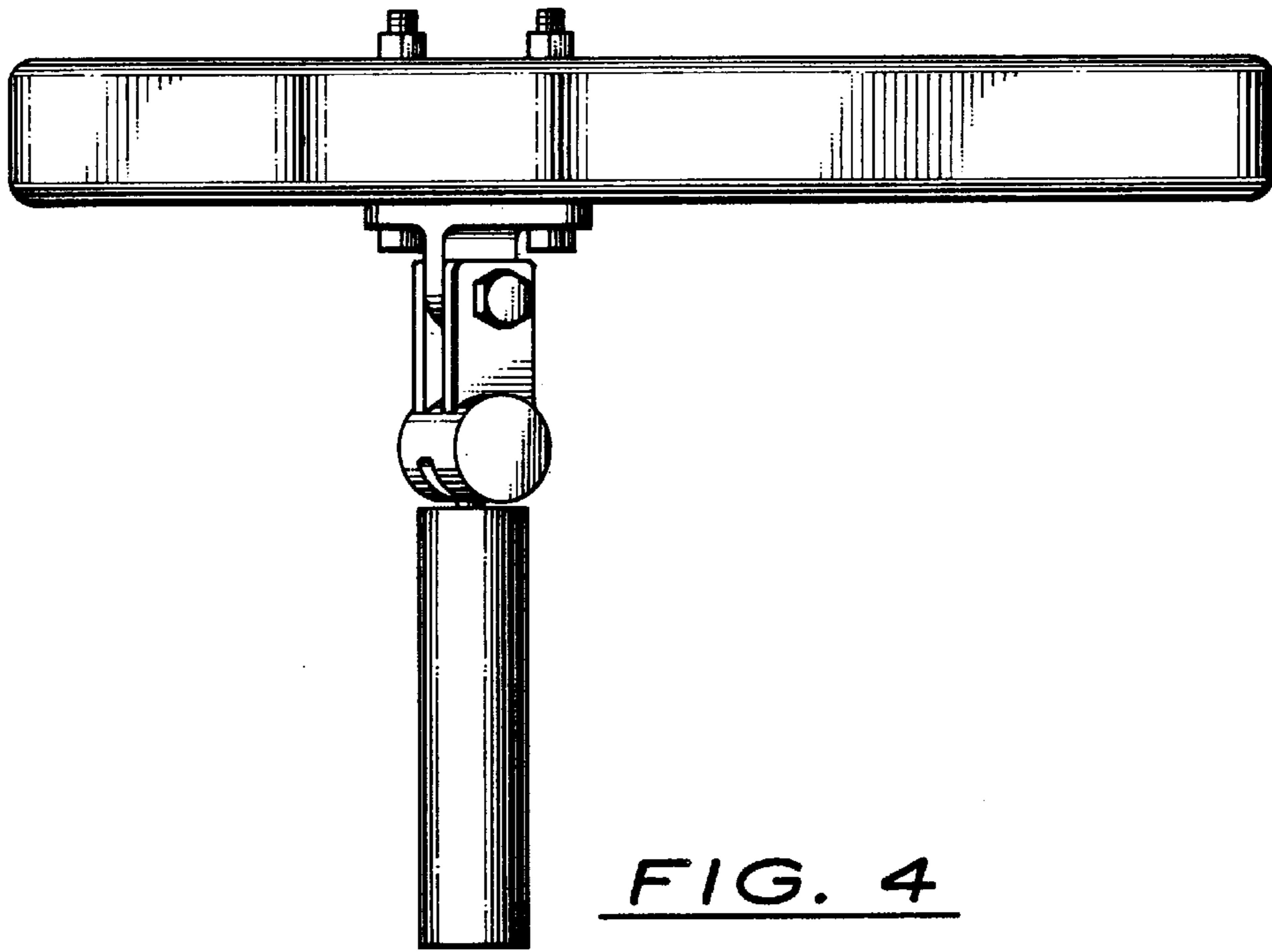
1 Claim, 4 Drawing Sheets











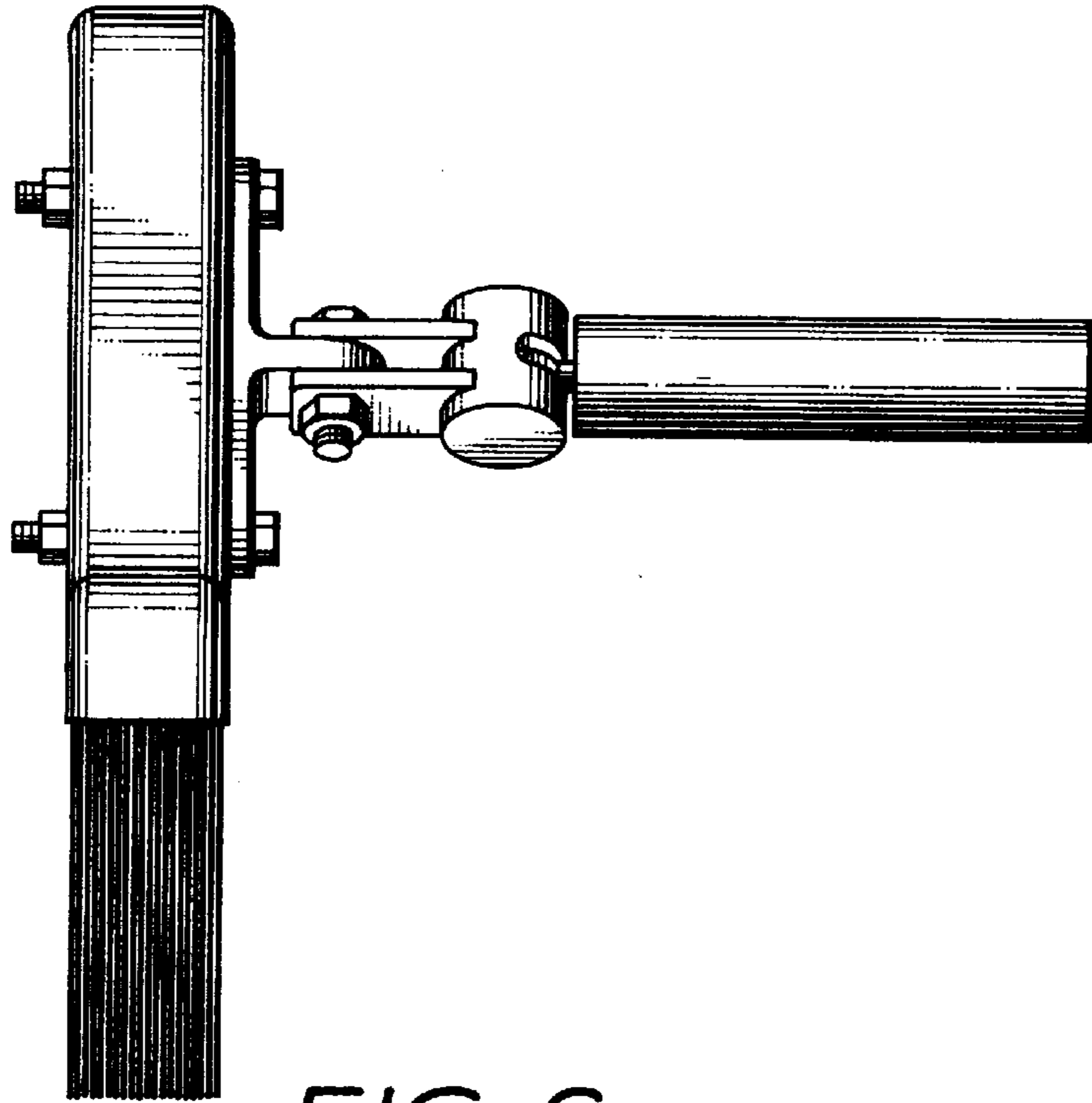


FIG. 6

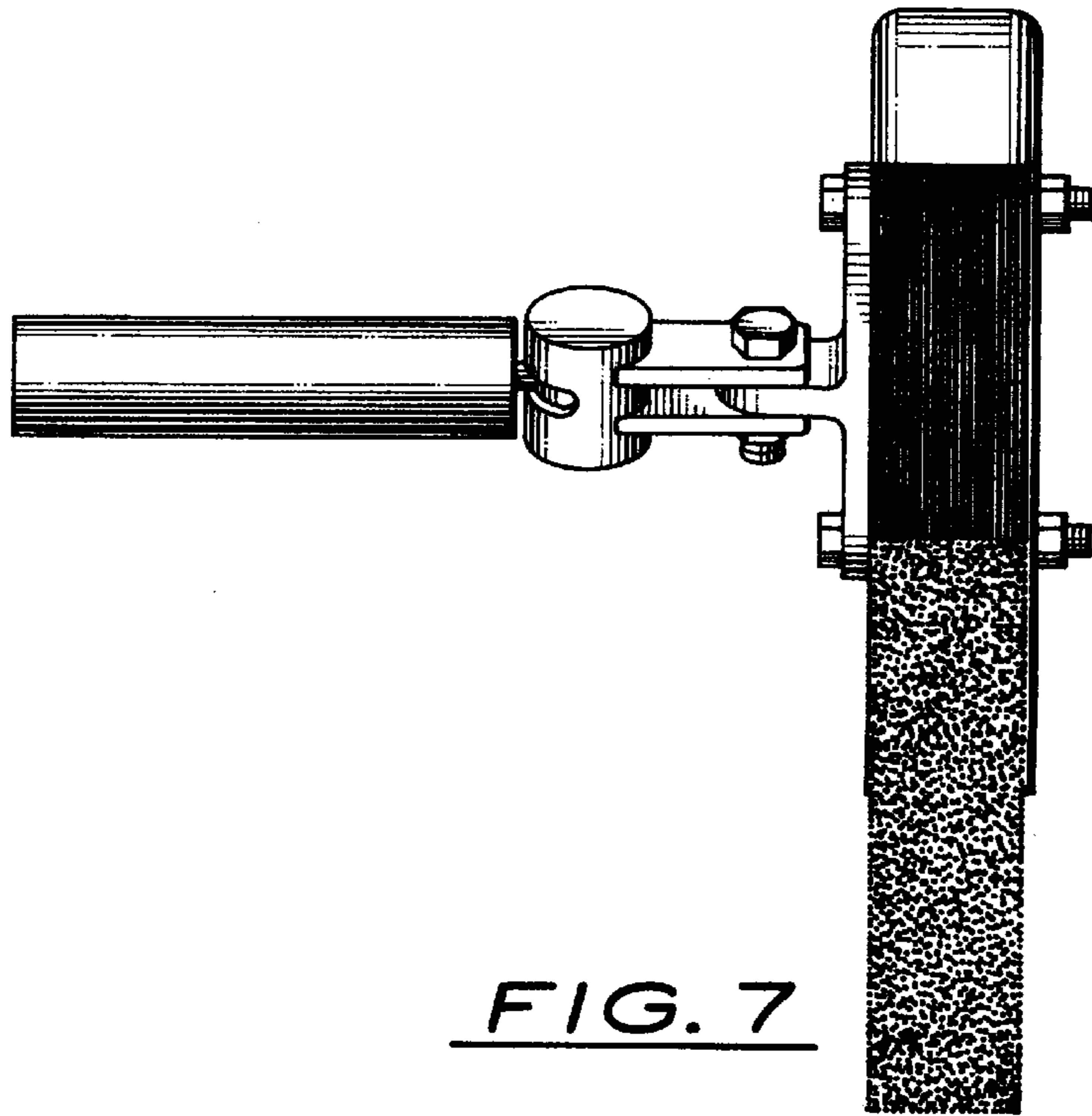


FIG. 7