



US00D433811S

United States Patent [19] Umiker

[11] **Patent Number: Des. 433,811**

[45] **Date of Patent: ** Nov. 21, 2000**

[54] **CRATE HAND GRIP**

[75] Inventor: **Hans Umiker**, Egg/Zurich, Switzerland

[73] Assignee: **Schoeller-Plast SA**, Switzerland

[**] Term: **14 Years**

[21] Appl. No.: **29/048,699**

[22] Filed: **Jan. 8, 1996**

D. 275,048	8/1984	Bannigan .	
D. 301,201	5/1989	King .	
D. 319,522	8/1991	Umiker	D3/313
1,090,122	3/1914	Adams	220/754

FOREIGN PATENT DOCUMENTS

0260698	3/1998	European Pat. Off. .
4017907	12/1991	Germany .

Primary Examiner—Richelle Shelton
Attorney, Agent, or Firm—Price, Heneveld, Cooper, DeWitt & Litton

Related U.S. Application Data

[62] Division of application No. 29/003,792, Jan. 15, 1993, Pat. No. Des. 370,999.

Foreign Application Priority Data

Jul. 16, 1992 [DE] Germany M9205312

[51] **LOC (7) Cl.** **03-99**

[52] **U.S. Cl.** **D3/318; D3/307**

[58] **Field of Search** D3/282, 307-313,
D3/318; 220/755; 206/510; D9/434, 443;
292/DIG. 63

References Cited

U.S. PATENT DOCUMENTS

D. 270,867 10/1983 Keohan .

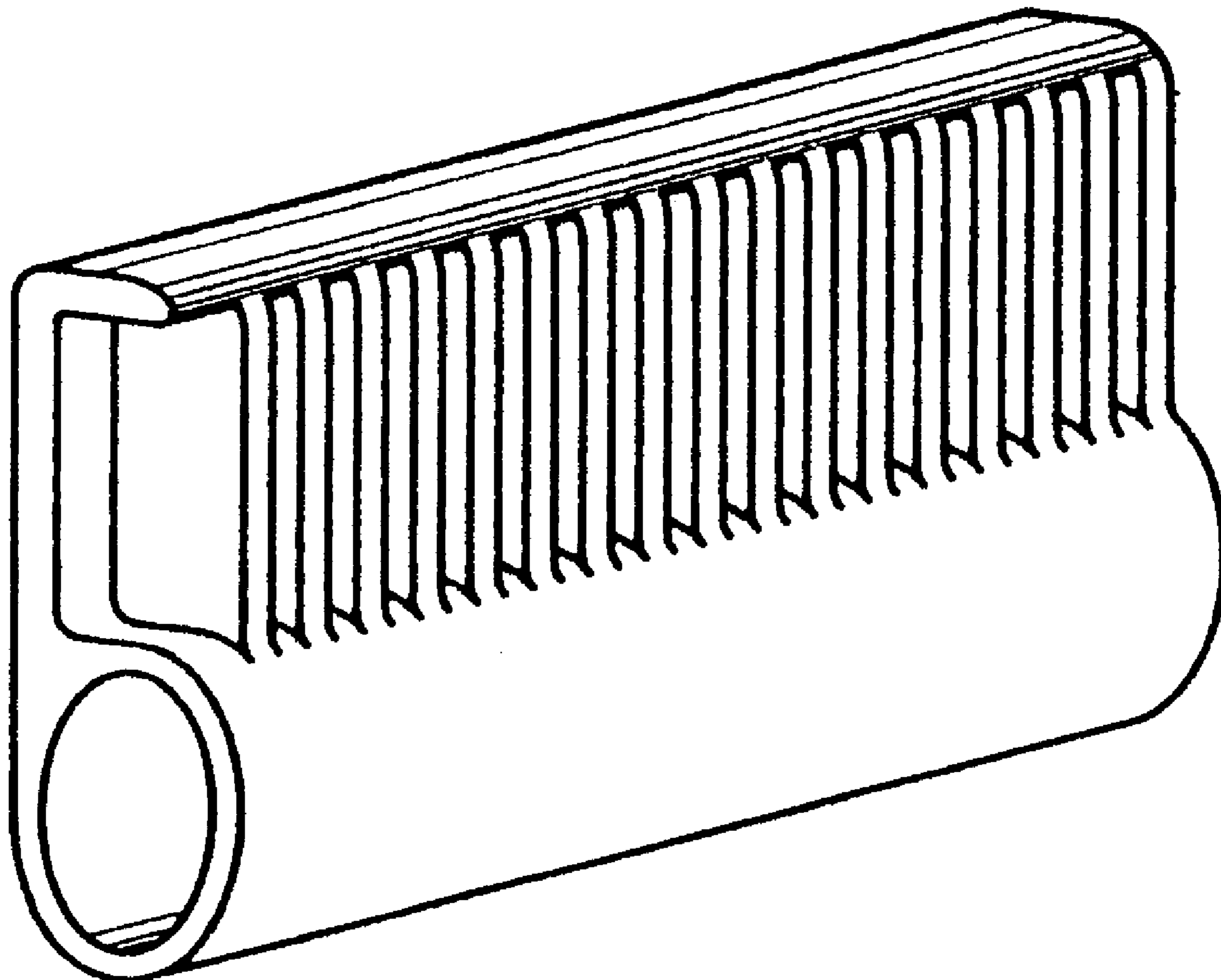
[57] CLAIM

The ornamental design for a crate hand grip, substantially as shown and described.

DESCRIPTION

FIG. 1 is a perspective view of a crate hand grip design of the present invention; and,
FIG. 2 is an enlarged left side elevational view thereof, the opposite side elevational view being a mirror image thereof. The broken line showing in FIG. 2 is for illustrative purposes only and forms no part of the claimed design.

1 Claim, 1 Drawing Sheet



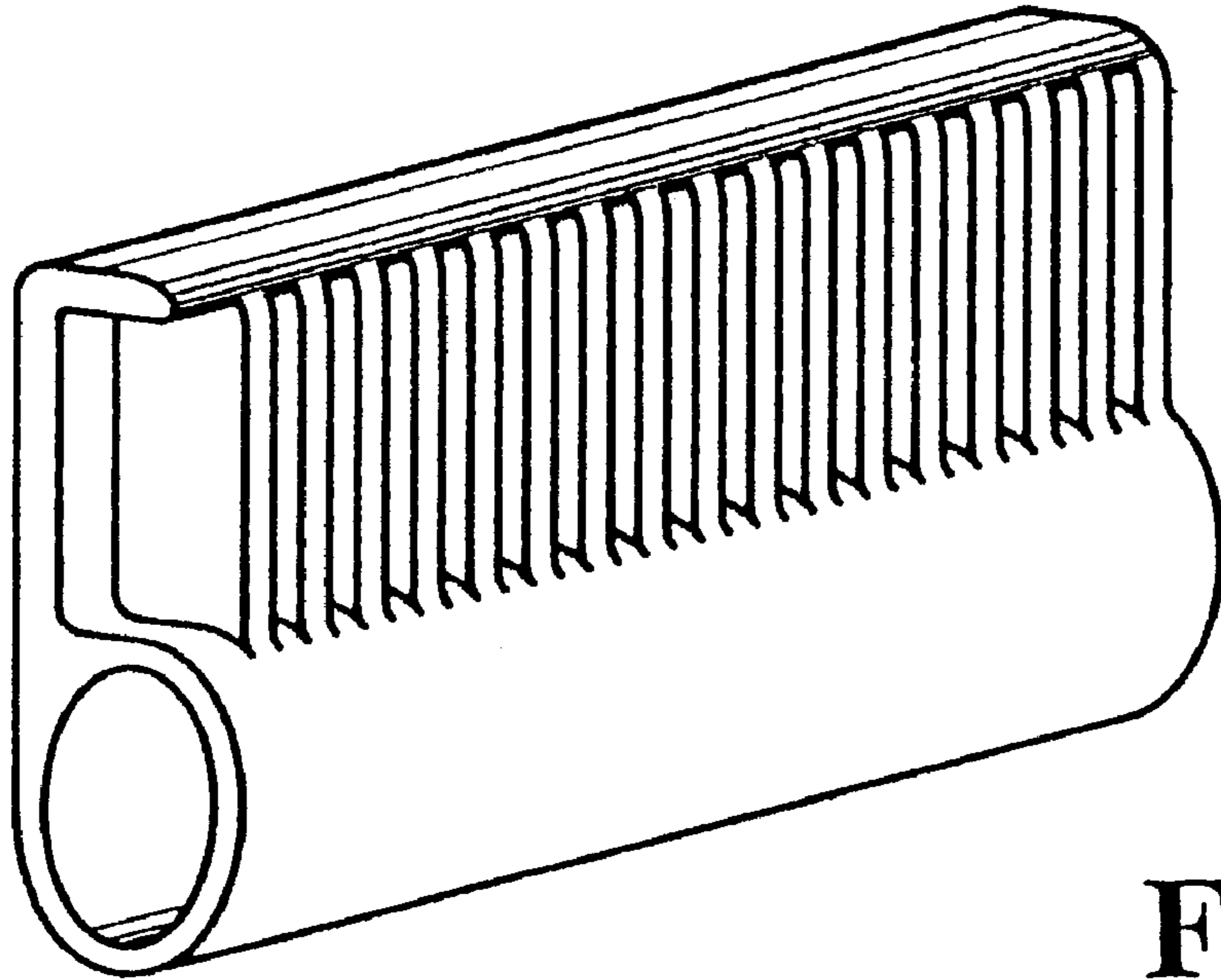


Fig. 1

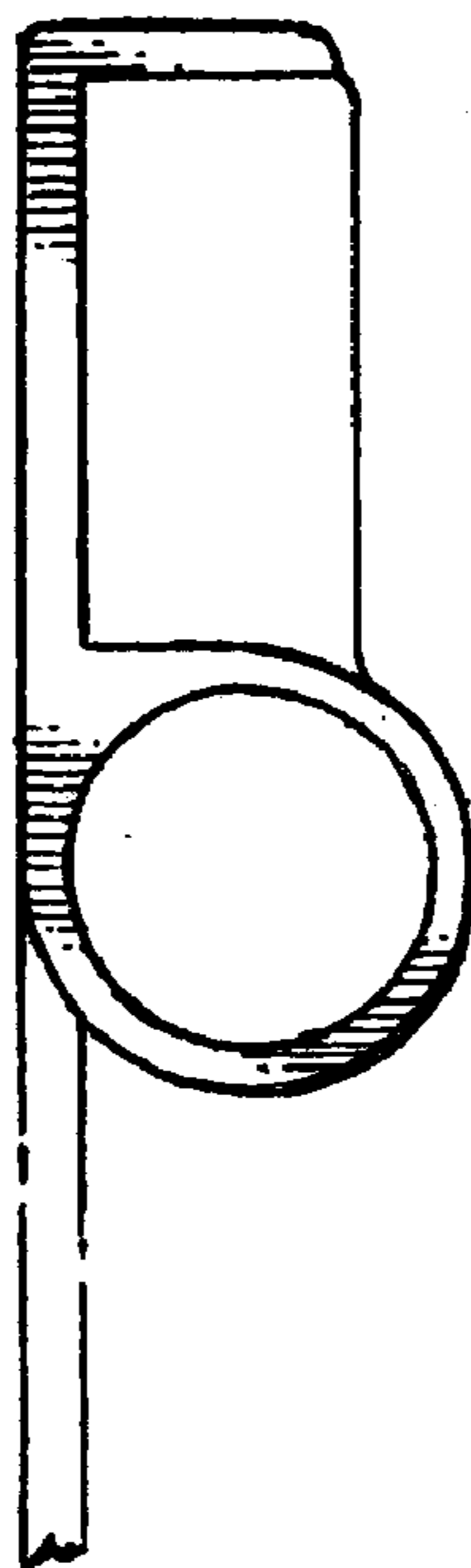


Fig. 2