



US00D433809S

United States Patent [19]
Dibben

[11] **Patent Number: Des. 433,809**

[45] **Date of Patent: ** Nov. 21, 2000**

[54] **STORAGE DEVICE**

[75] Inventor: **Philip Dibben**, Dudley, Australia

[73] Assignee: **Scott Dibben Pty. Limited**, New Castle, Australia

[**] Term: **14 Years**

[21] Appl. No.: **29/101,716**

[22] Filed: **Mar. 10, 1999**

[30] **Foreign Application Priority Data**

Sep. 10, 1998 [AU] Australia 2831/98

[51] **LOC (7) Cl.** **03-01**

[52] **U.S. Cl.** **D3/304**

[58] **Field of Search** D6/512, 513, 567,
D6/553, 518, 573; D19/78, 85, 90; D3/215,
303, 304-307, 315; 211/70.6, 86, 113, 10,
13, 69.1, 69.9

[56] **References Cited**

U.S. PATENT DOCUMENTS

D. 299,476 1/1989 Wolff D19/78
D. 308,784 6/1990 Liptak D6/553

D. 365,233 12/1995 Huculak D6/513
D. 386,337 11/1997 Zissu D6/513
D. 391,990 3/1998 Wolff D19/78
D. 400,383 11/1998 Fricano et al. D6/513 X
D. 413,749 9/1999 Stravitz D6/567 X
4,100,684 7/1978 Berger .

Primary Examiner—Louis S. Zarfaz
Assistant Examiner—Catherine R. Oliver
Attorney, Agent, or Firm—Ladas & Parry

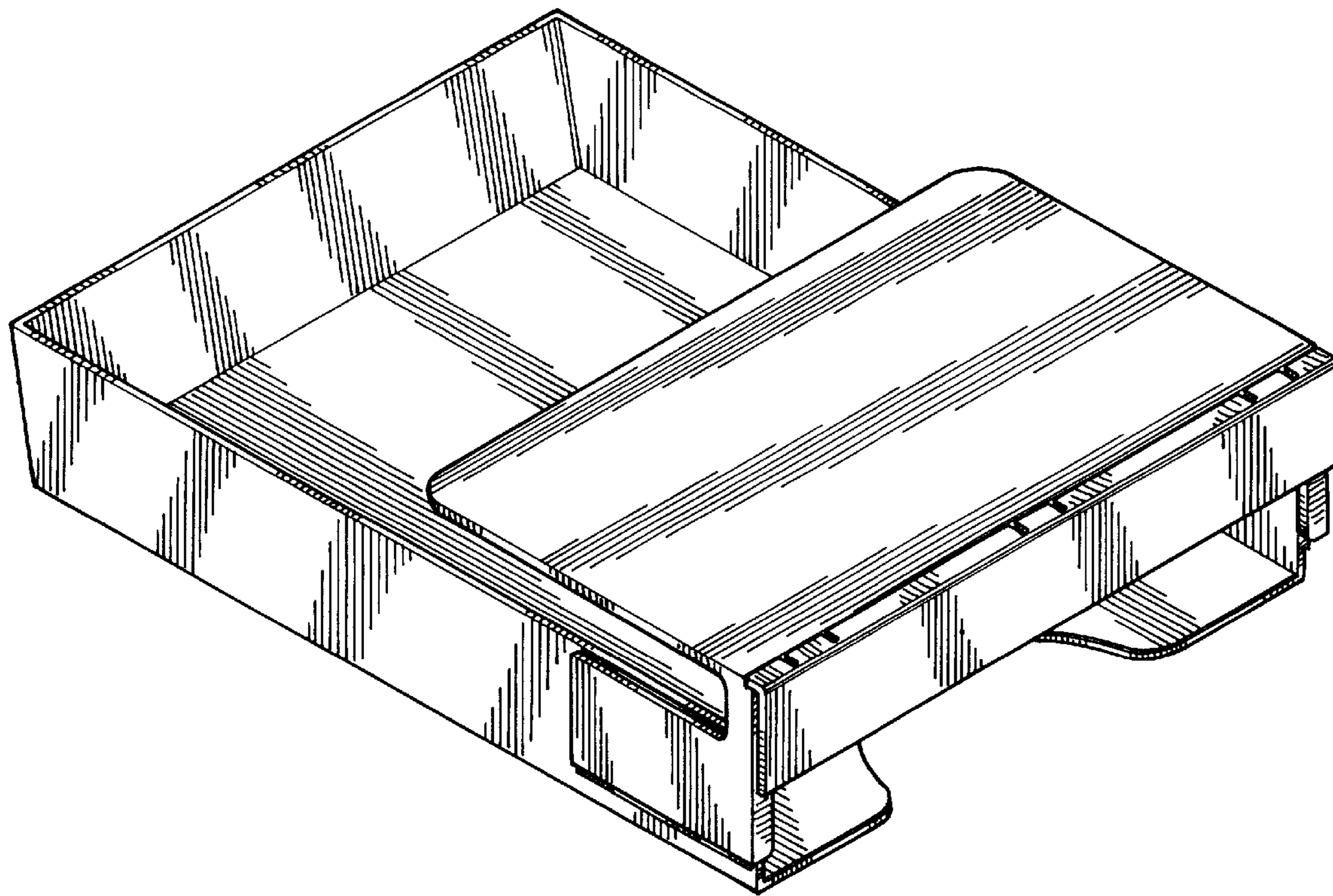
[57] **CLAIM**

I claim the ornamental design for storage device, as shown and described.

DESCRIPTION

FIG. 1 is a bottom plan view of storage device showing my new design;
FIG. 2 is a front/top/left side perspective view thereof;
FIG. 3 is a front elevational view thereof;
FIG. 4 is a rear elevational view thereof;
FIG. 5 is a top plan view thereof; and,
FIG. 6 is a left side elevational view thereof, the right side elevational view thereof being a mirror image thereof and, therefore, not shown.

1 Claim, 3 Drawing Sheets



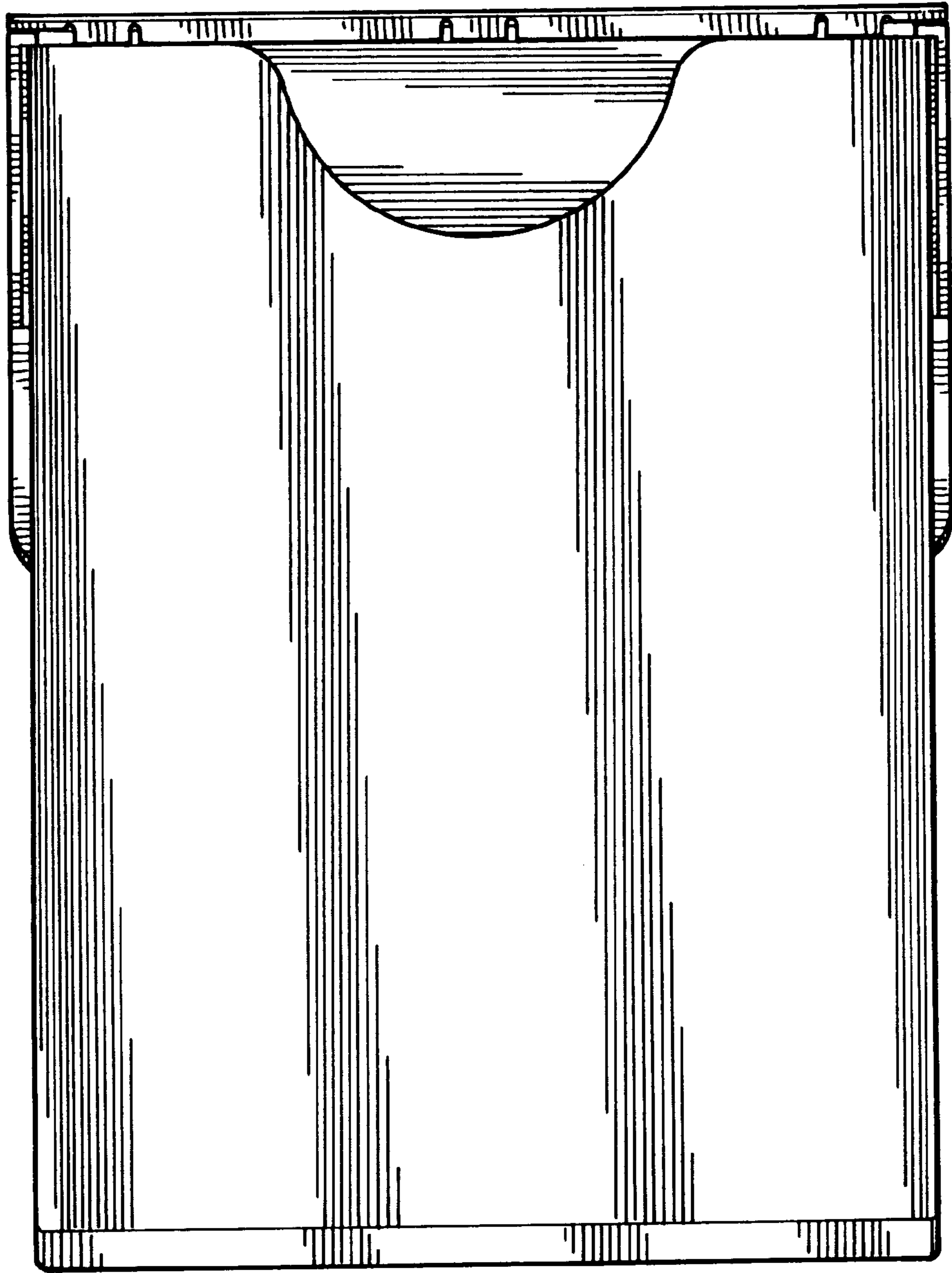


FIG. 1

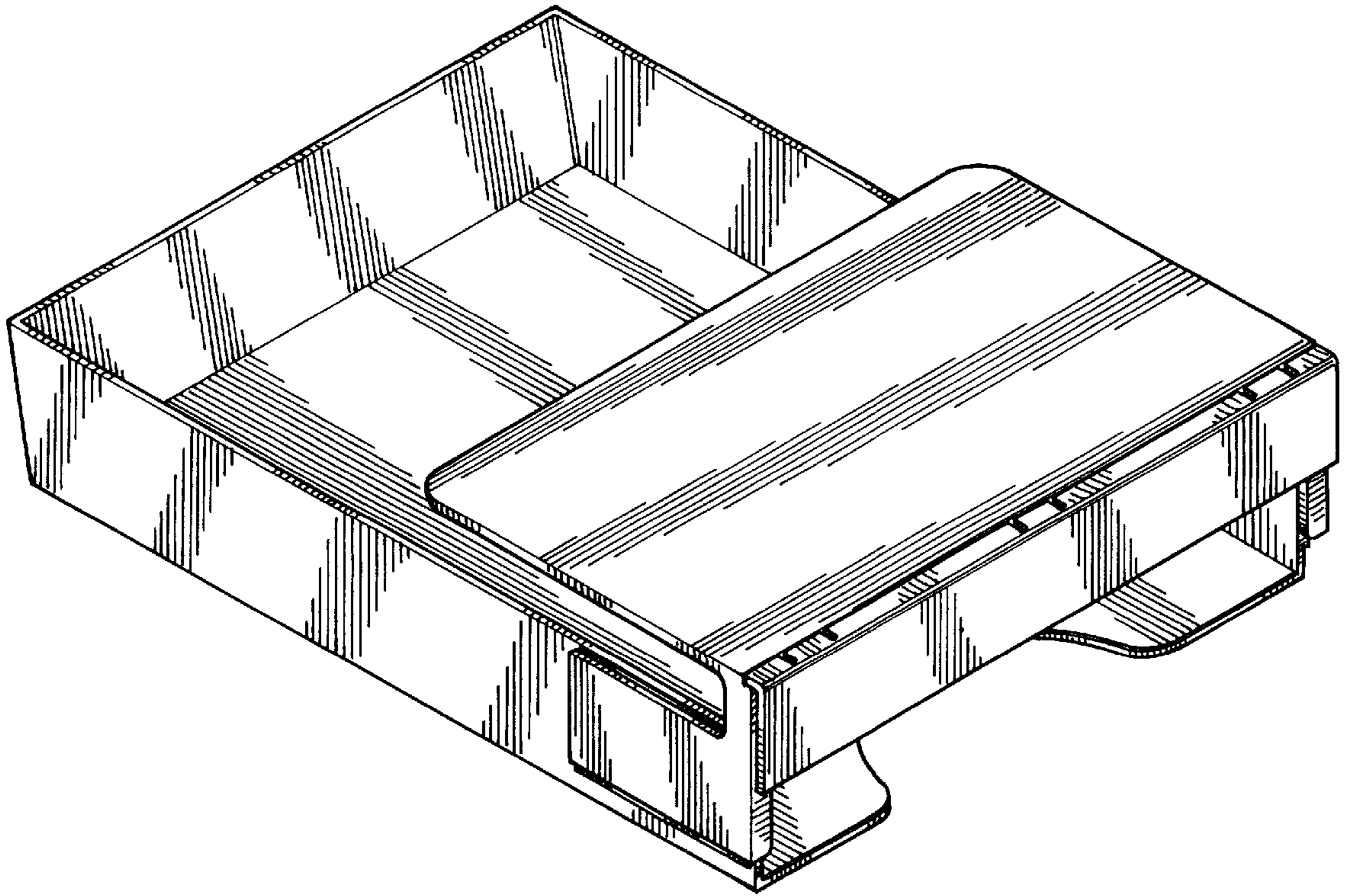


FIG. 2

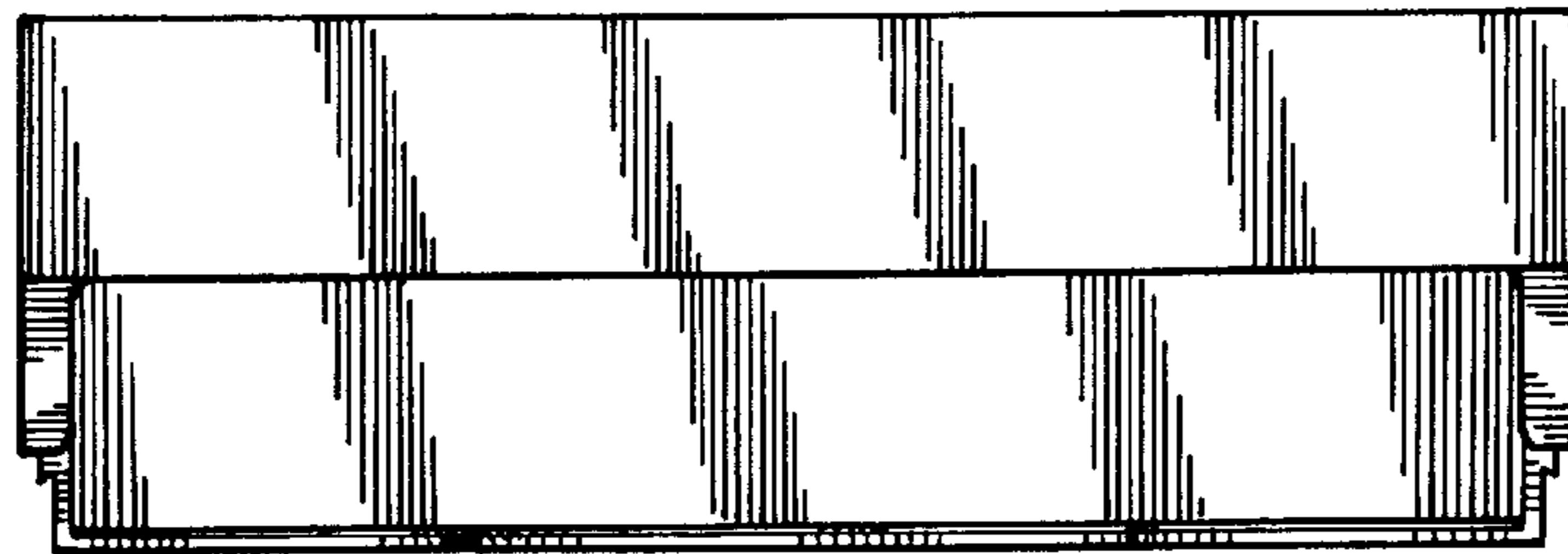


FIG. 3

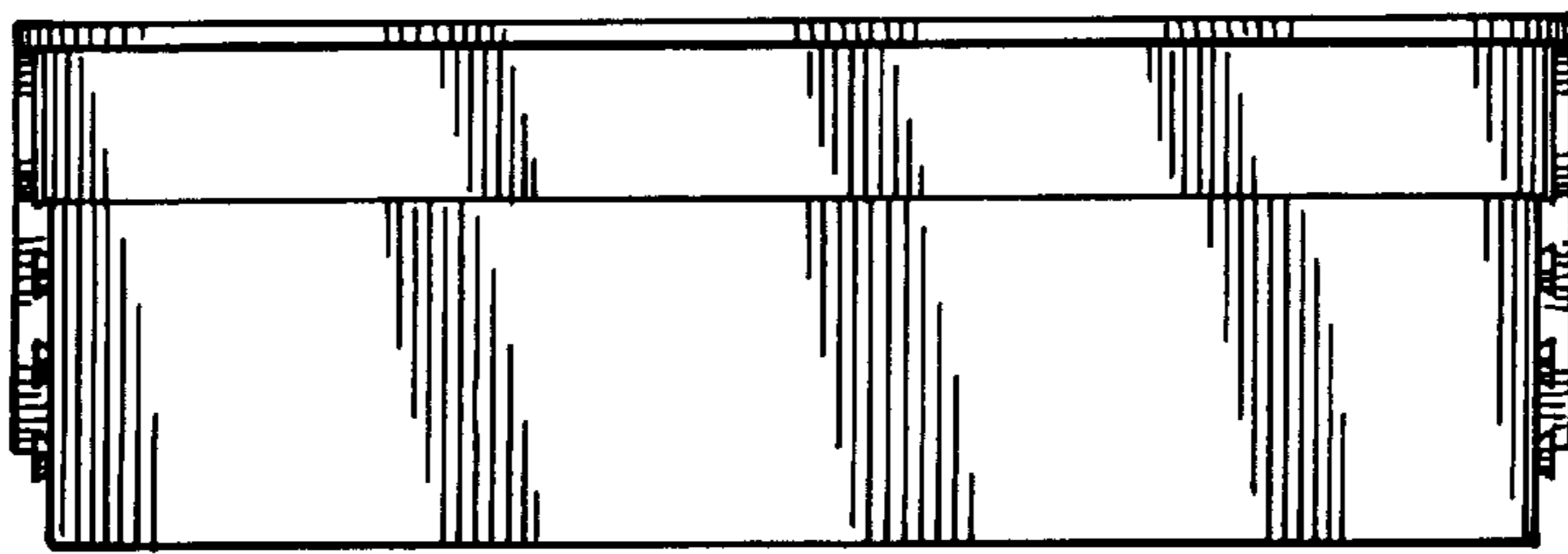


FIG. 4

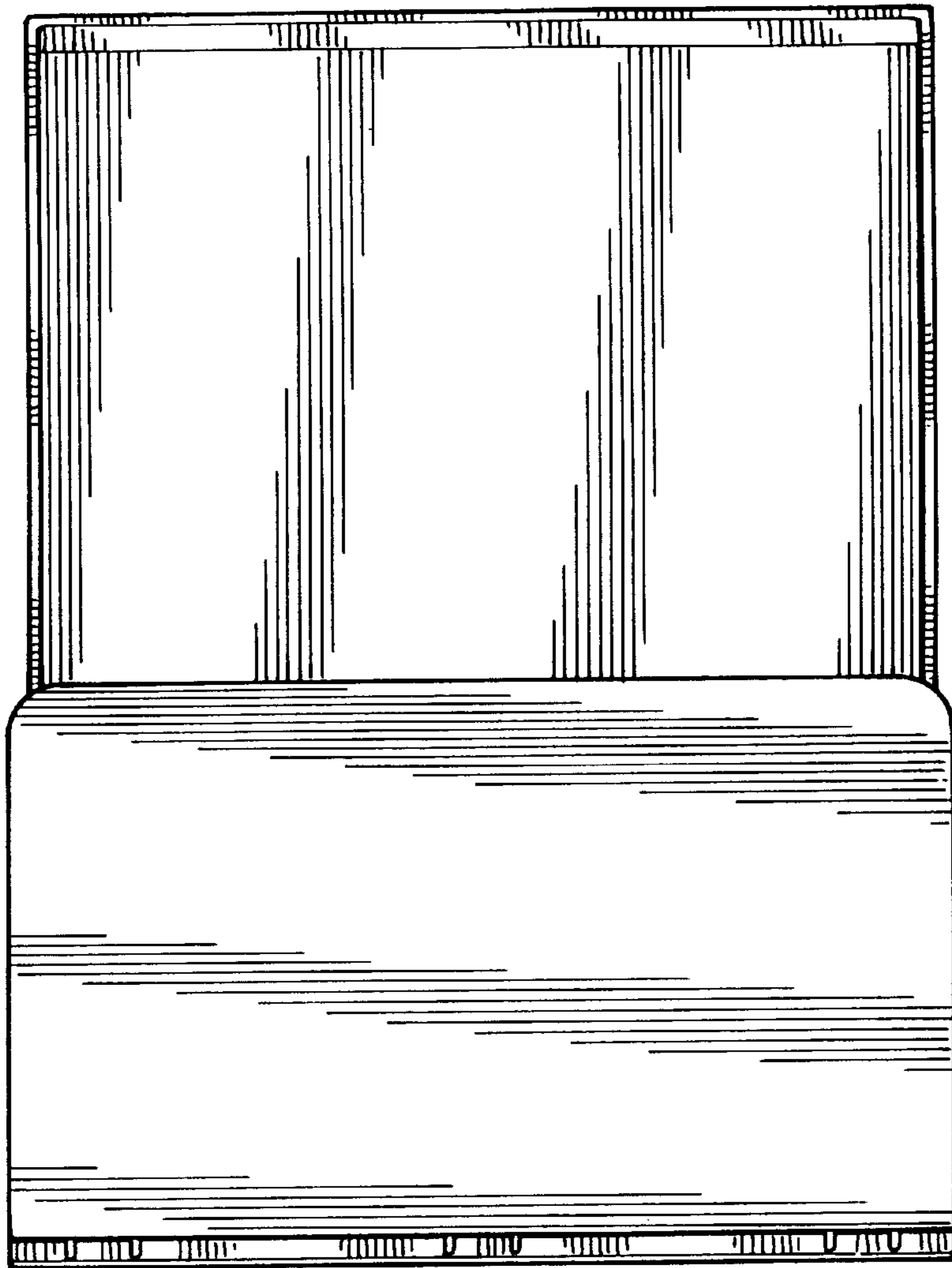


FIG. 5

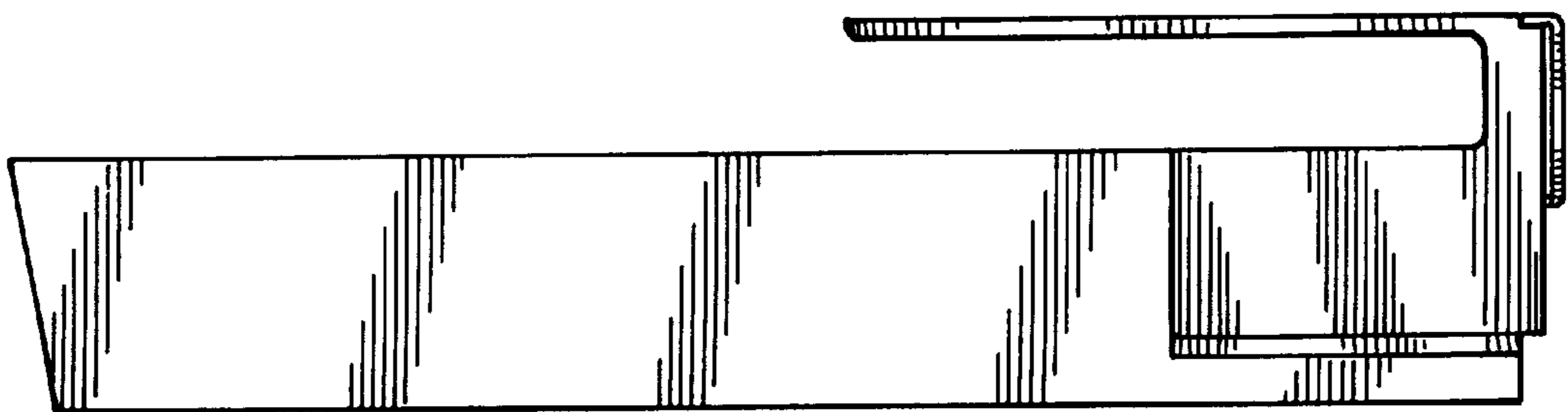


FIG. 6