



US00D433797S

United States Patent [19]
Weinstock

[11] **Patent Number: Des. 433,797**

[45] **Date of Patent: ** Nov. 21, 2000**

[54] **WATERPROOF FLOATABLE CONTAINER**

5,390,510 2/1995 Tirio-Cloonan 63/18
5,423,419 6/1995 Wentz et al. 206/6

[76] Inventor: **Jay Weinstock**, 326 Prospect Ave., Apt.
10J, Hackensack, N.J. 07601

Primary Examiner—Louis S. Zarfaz
Assistant Examiner—Catherine R. Oliver
Attorney, Agent, or Firm—Gottlieb, Rackman & Reisman,
P.C.

[**] Term: **14 Years**

[21] Appl. No.: **29/118,524**

[57] **CLAIM**

[22] Filed: **Feb. 10, 2000**

The ornamental design for a waterproof floatable container,
as shown and described.

[51] **LOC (7) Cl.** **03-01**

[52] **U.S. Cl.** **D3/215; D9/315**

[58] **Field of Search** D9/307, 315; D3/215,
D3/225, 230, 201, 203, 205, 232-242;
D11/79-84; 63/18, 19, 20; D28/76-84;
220/324, 337, 338

DESCRIPTION

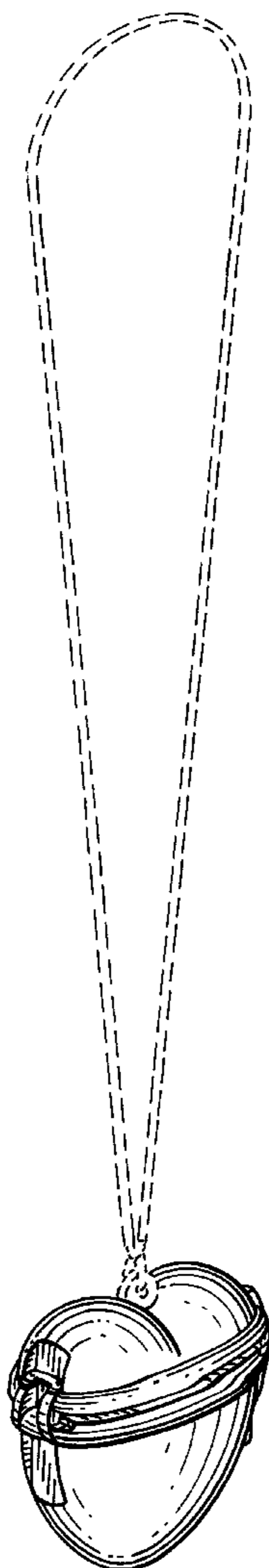
FIG. 1 is a perspective view of the design with a portion
shown in dotted lines for environmental purposes only;
FIG. 2 is a left side view thereof;
FIG. 3 is a top plan view thereof;
FIG. 4 is a front view thereof;
FIG. 5 is a right side view thereof;
FIG. 6 is a rear view thereof; and,
FIG. 7 is a bottom plan view thereof.

[56] **References Cited**

U.S. PATENT DOCUMENTS

D. 21,164 11/1891 Goertz D3/236
D. 169,367 4/1953 Ferraro D9/315
D. 407,854 4/1999 De Gaetano D28/80
2,450,620 10/1948 Speicher 63/18

1 Claim, 3 Drawing Sheets



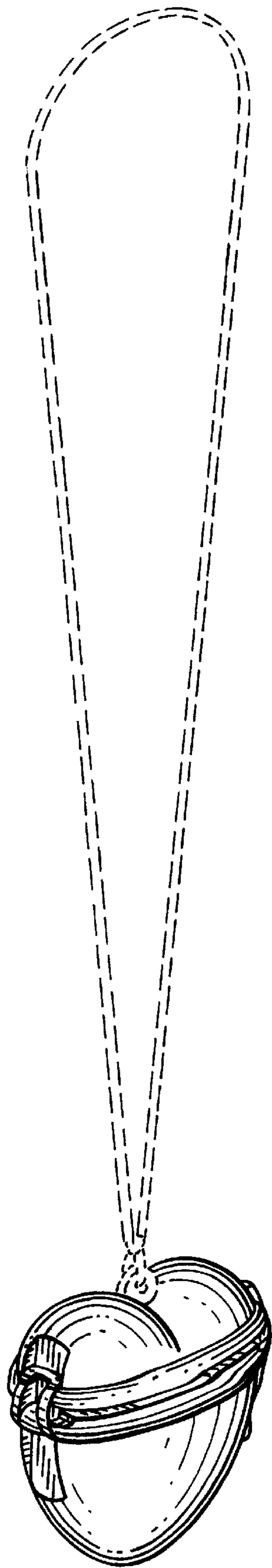


FIG. 1

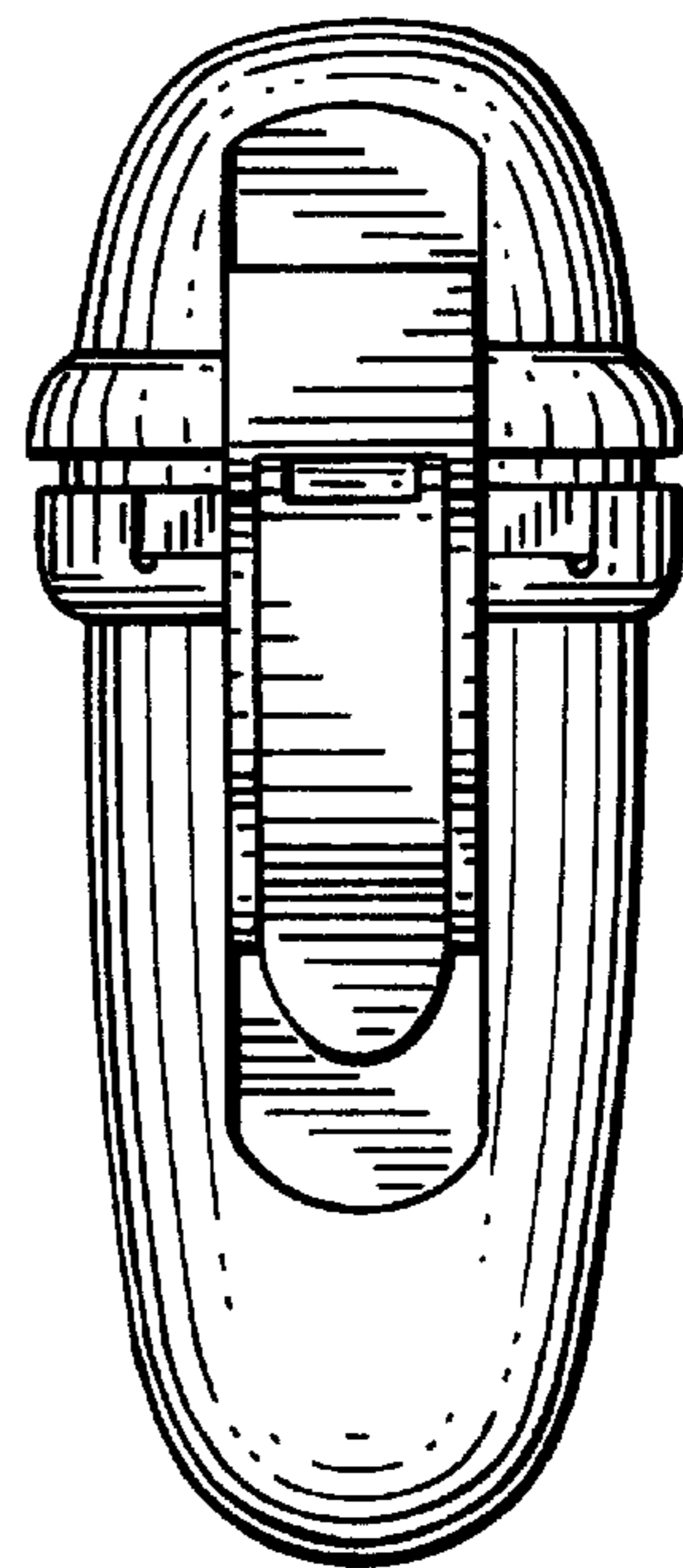


FIG. 2

FIG. 3

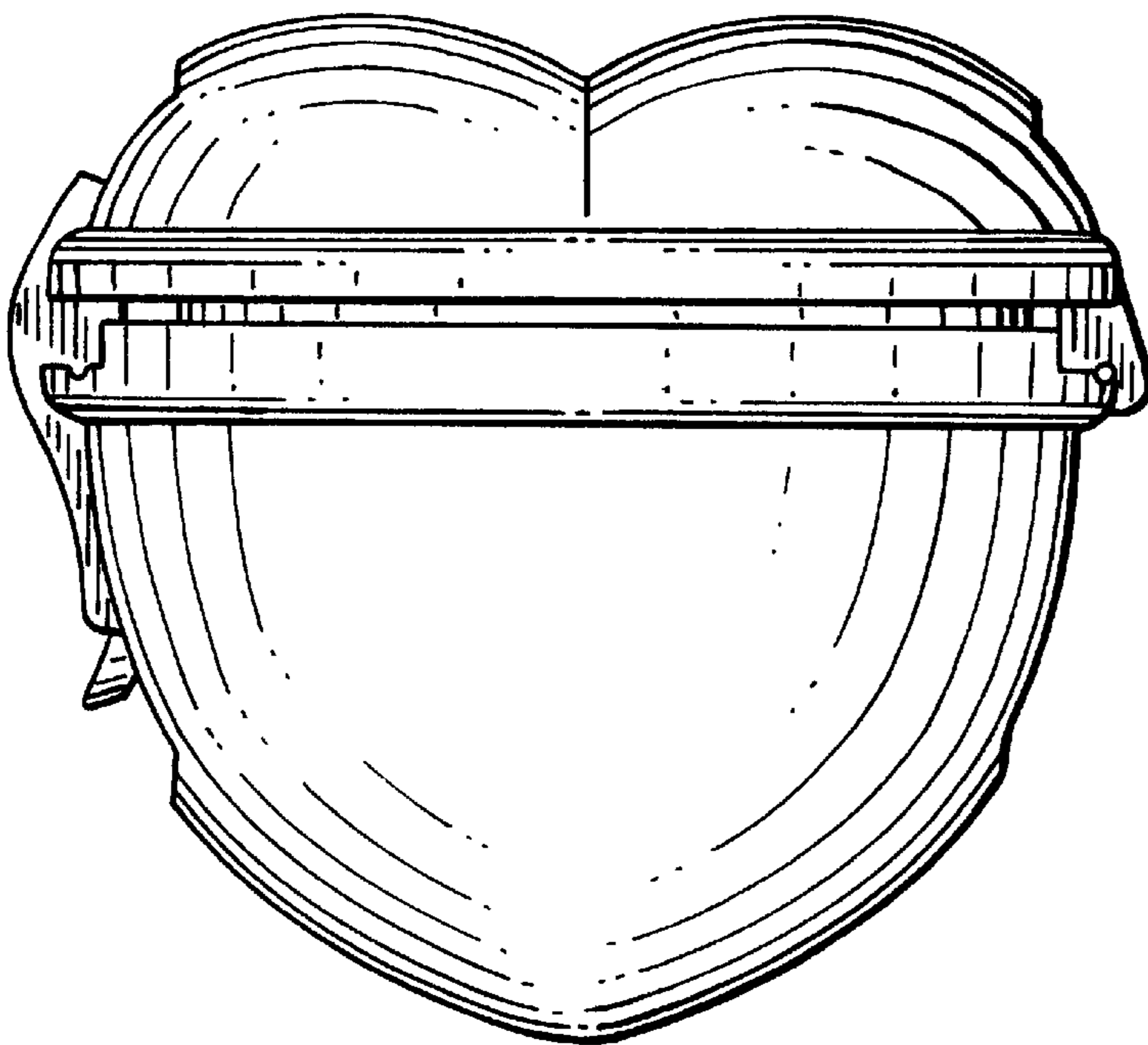
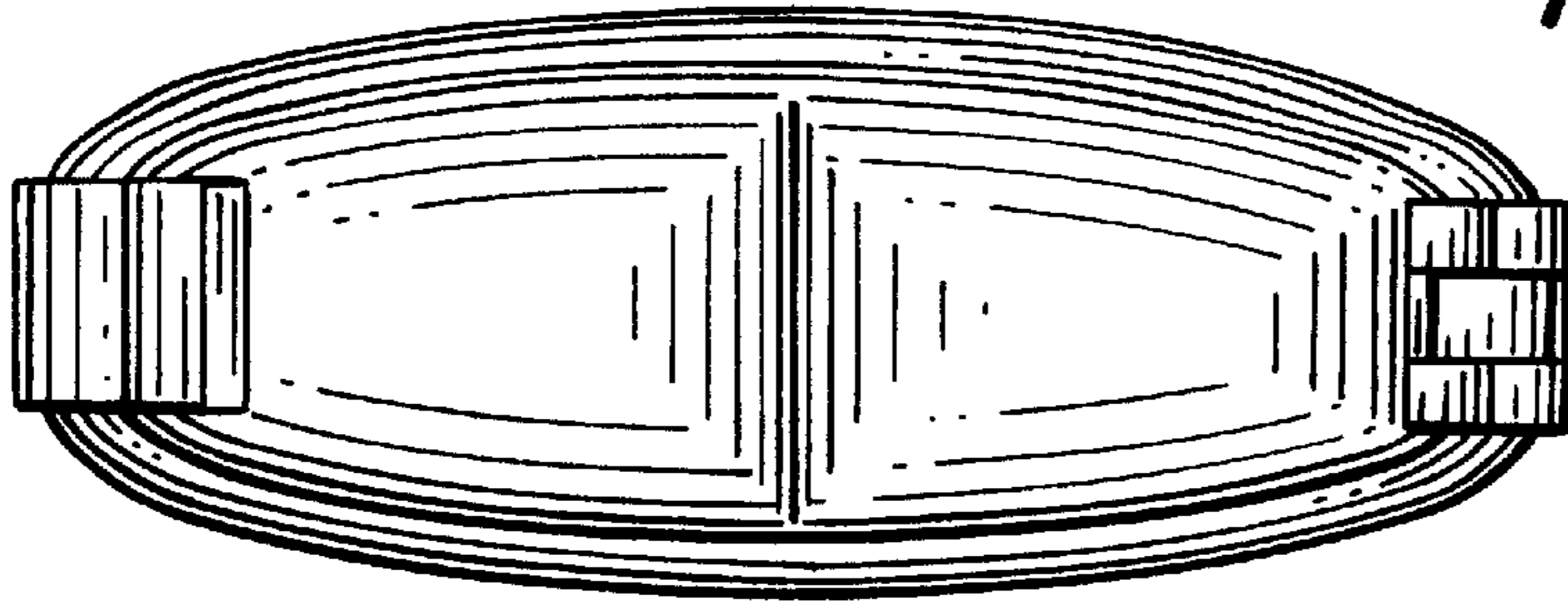


FIG. 4

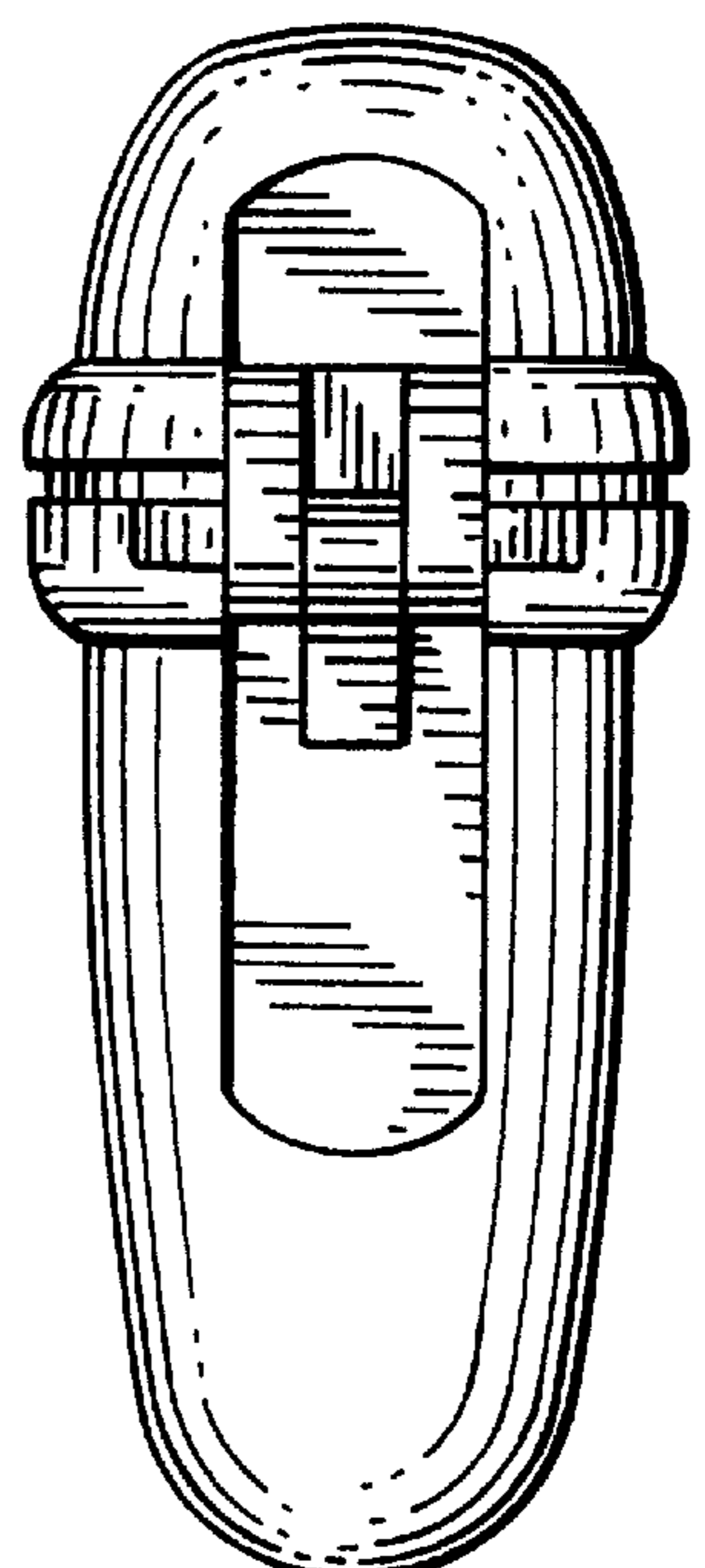


FIG. 5

FIG. 6

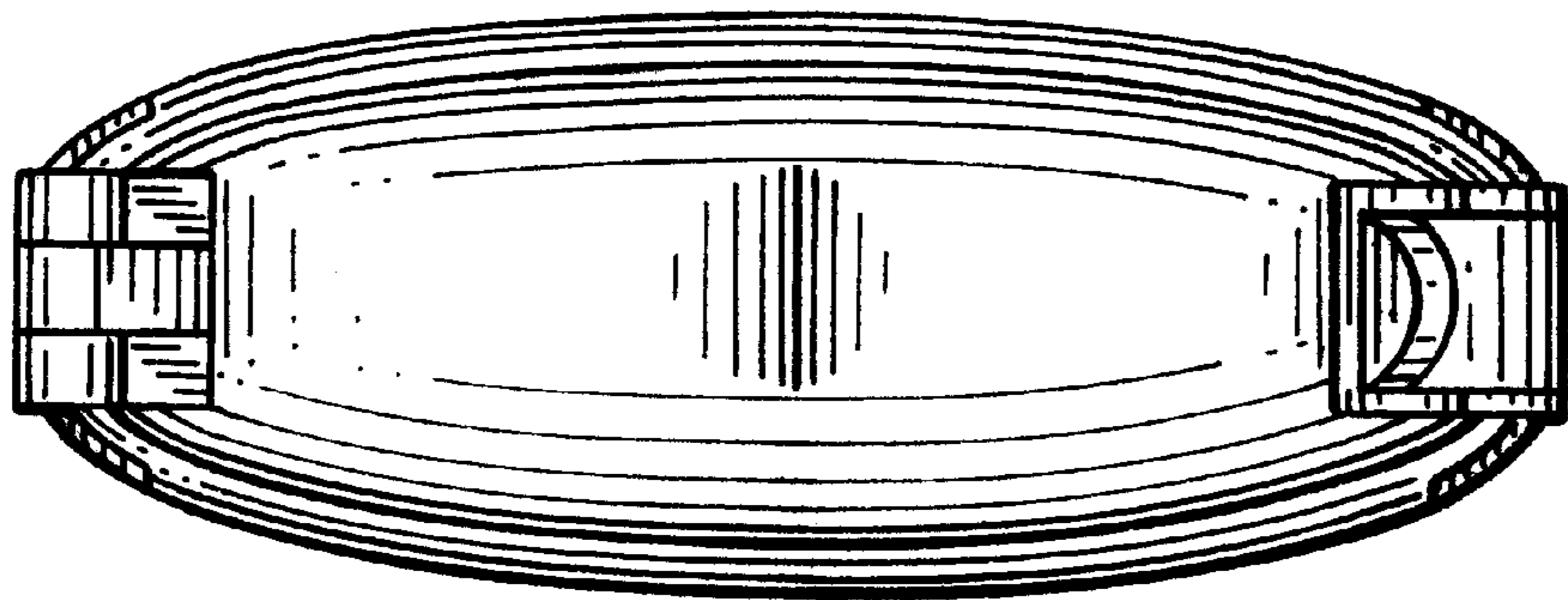
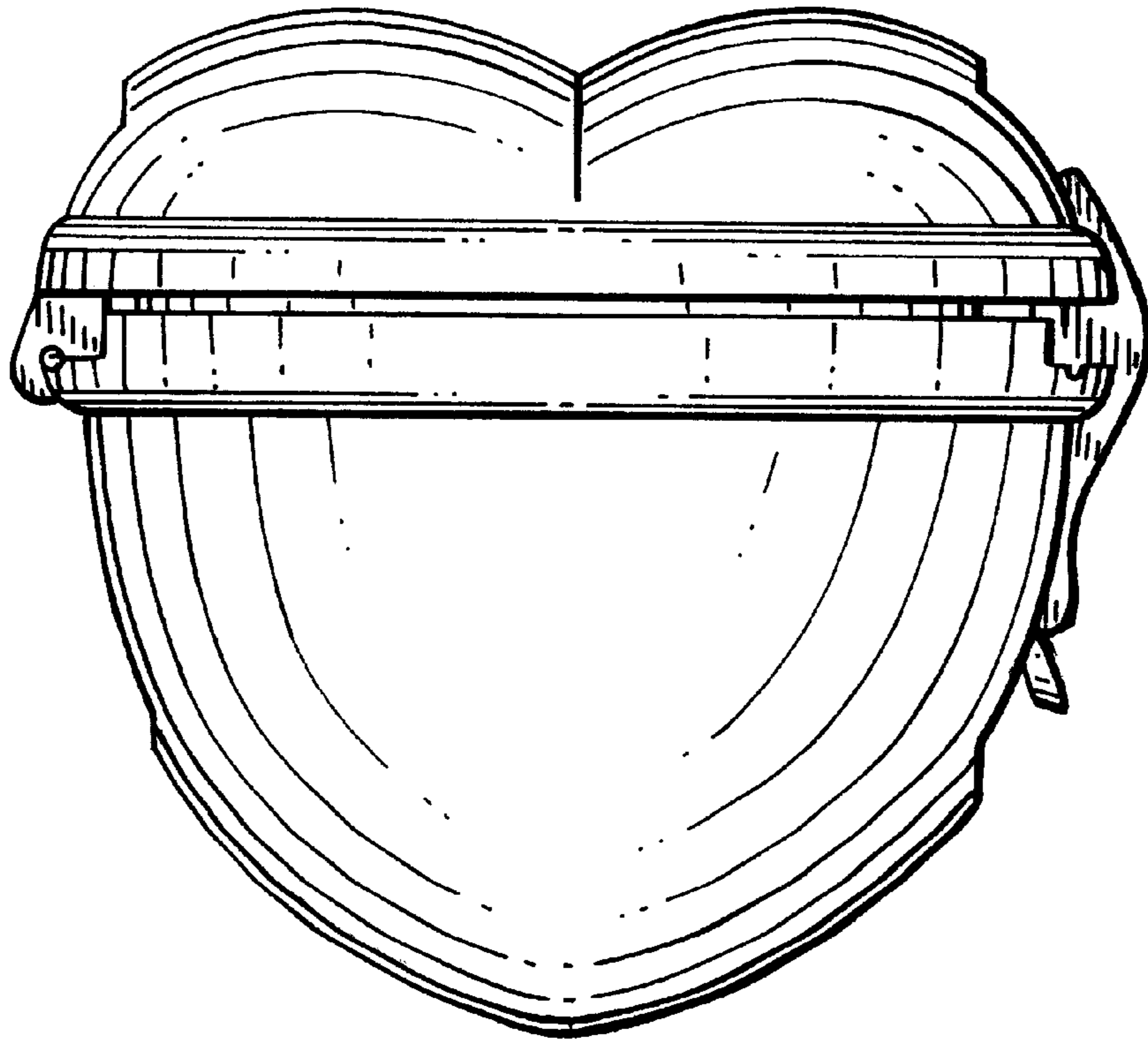


FIG. 7