



US00D433782S

United States Patent [19] Carter

[11] Patent Number: Des. 433,782

[45] Date of Patent: ** Nov. 14, 2000

[54] PALLET

[75] Inventor: Leewood C. Carter, Riceville, Tenn.

[73] Assignee: Reusable Rolls, Inc., Riceville, Tenn.

[**] Term: 14 Years

[21] Appl. No.: 29/116,801

[22] Filed: Jan. 11, 2000

[51] LOC (7) Cl. 09-08

[52] U.S. Cl. D34/38

[58] Field of Search D34/38; 248/678,
248/346.01; 108/57.1, 53.3, 54.1, 51.11,
55.3, 56.1, 901, 51.1

[56] **References Cited**

U.S. PATENT DOCUMENTS

D. 256,007	7/1980	Chillog	D34/38
D. 267,386	12/1982	Kneale, III	D34/38 X
D. 409,814	5/1999	Herring	D34/38
D. 415,869	10/1999	Roodvoets et al.	D34/38
D. 419,275	1/2000	Carter	D34/38
D. 419,744	1/2000	Carter	D34/38
3,126,843	3/1964	DeLaney	108/51.11

3,256,839	6/1966	Peterson et al.	108/51.11
3,910,203	10/1975	Hamkins et al.	108/51.11
3,954,067	5/1976	Miles	108/57.1
5,042,397	8/1991	Fiedler	108/51.1
5,101,737	4/1992	Gomez	108/51.1
5,255,614	10/1993	Voss-Schrader et al.	108/56.1
5,272,990	12/1993	Carter	108/51.3
5,809,902	9/1998	Zetterberg	108/51.1
5,816,172	10/1998	Carter	108/51.3

Primary Examiner—Cynthia E. Ramirez
Attorney, Agent, or Firm—Alan Ruderman; Stephen J. Stark

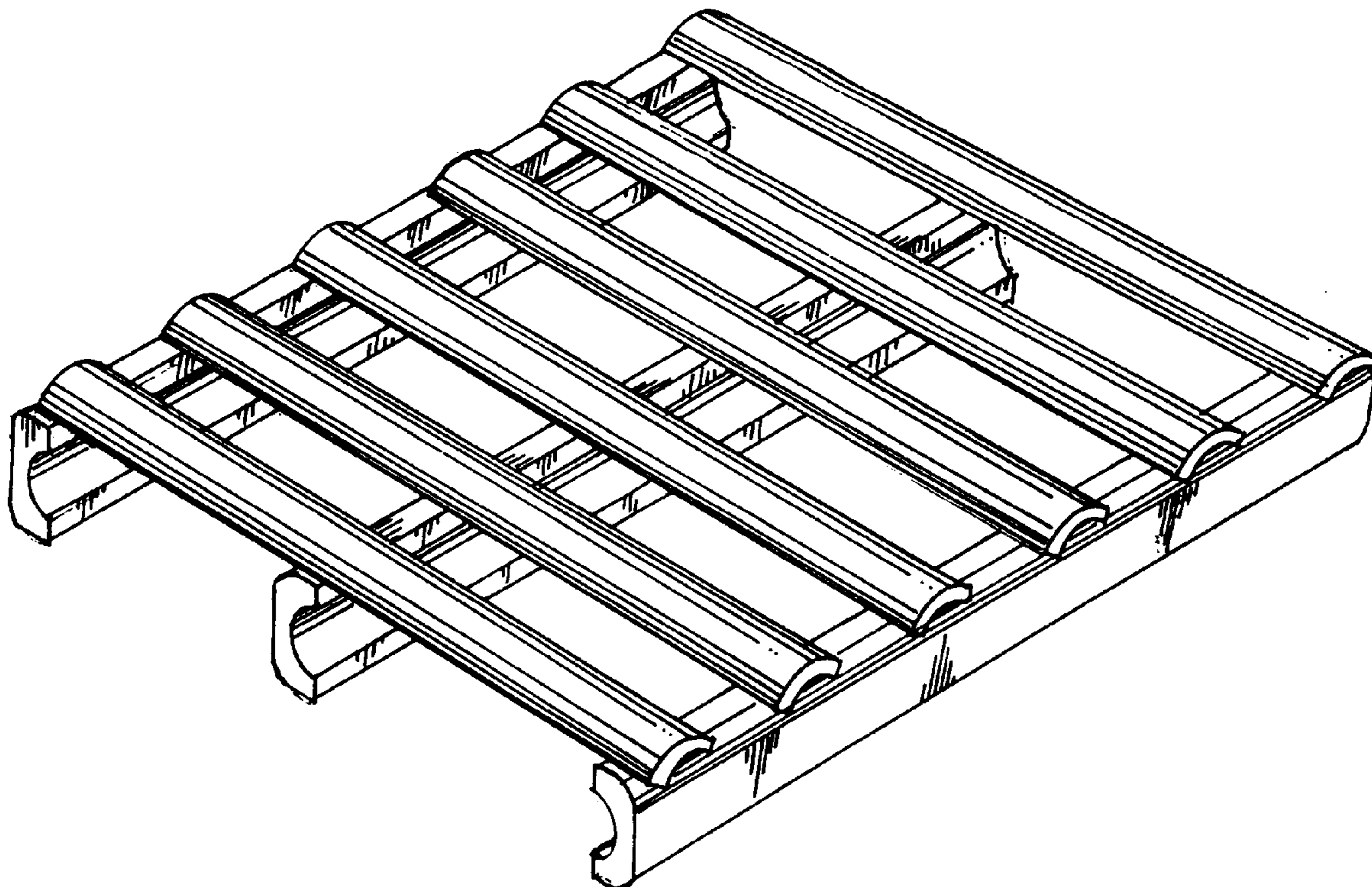
[57] **CLAIM**

The ornamental design for a pallet, as shown and described.

DESCRIPTION

FIG. 1 is a front perspective view of a pallet embodying my new design;
FIG. 2 is a top view thereof; and
FIG. 3 is a bottom view thereof.
FIG. 4 is a front elevational view thereof, a rear elevational view being identical thereto; and,
FIG. 5 is a side elevational view thereof, the other side elevational view being identical thereto.

1 Claim, 2 Drawing Sheets



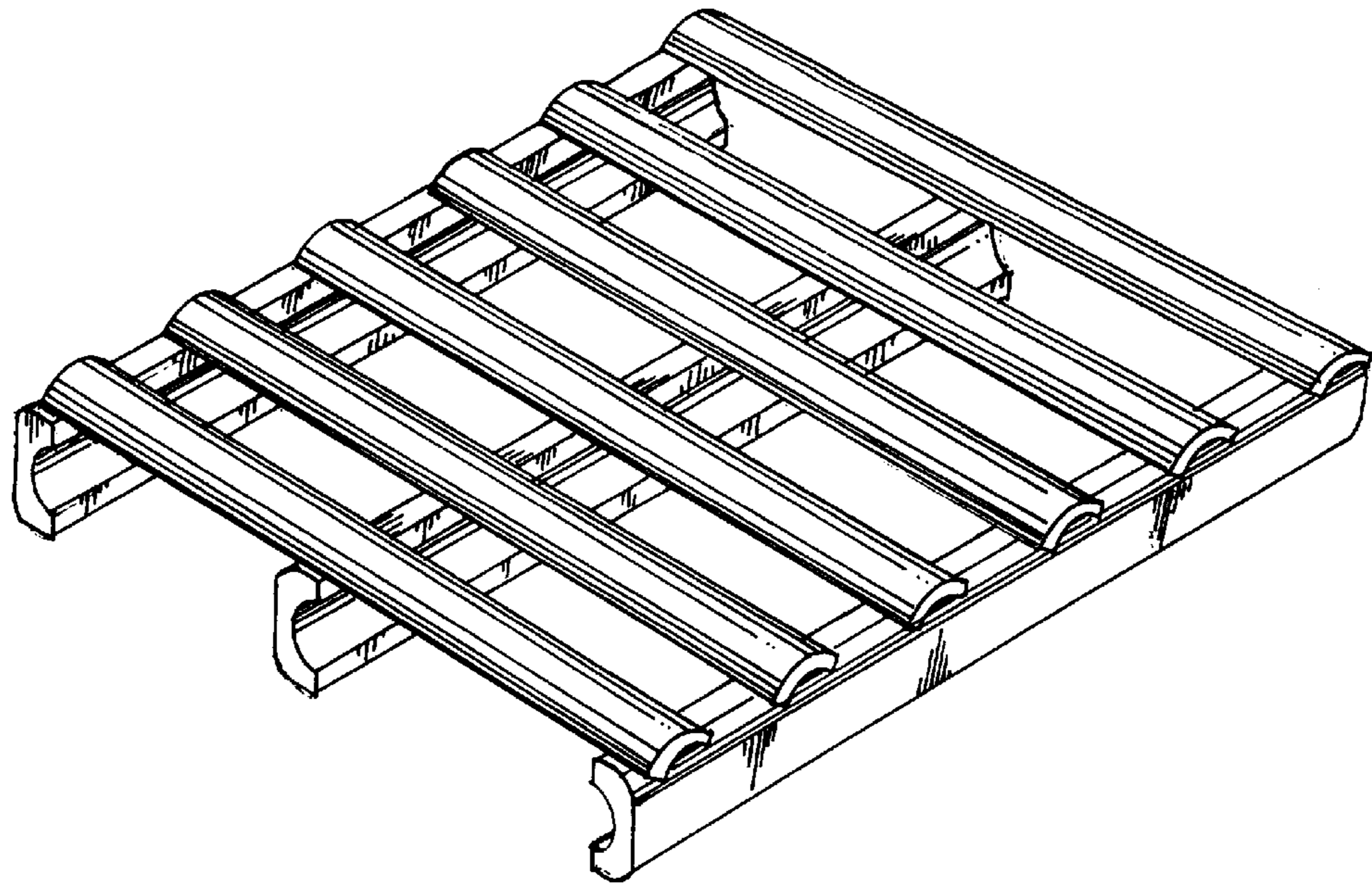


FIG. 1

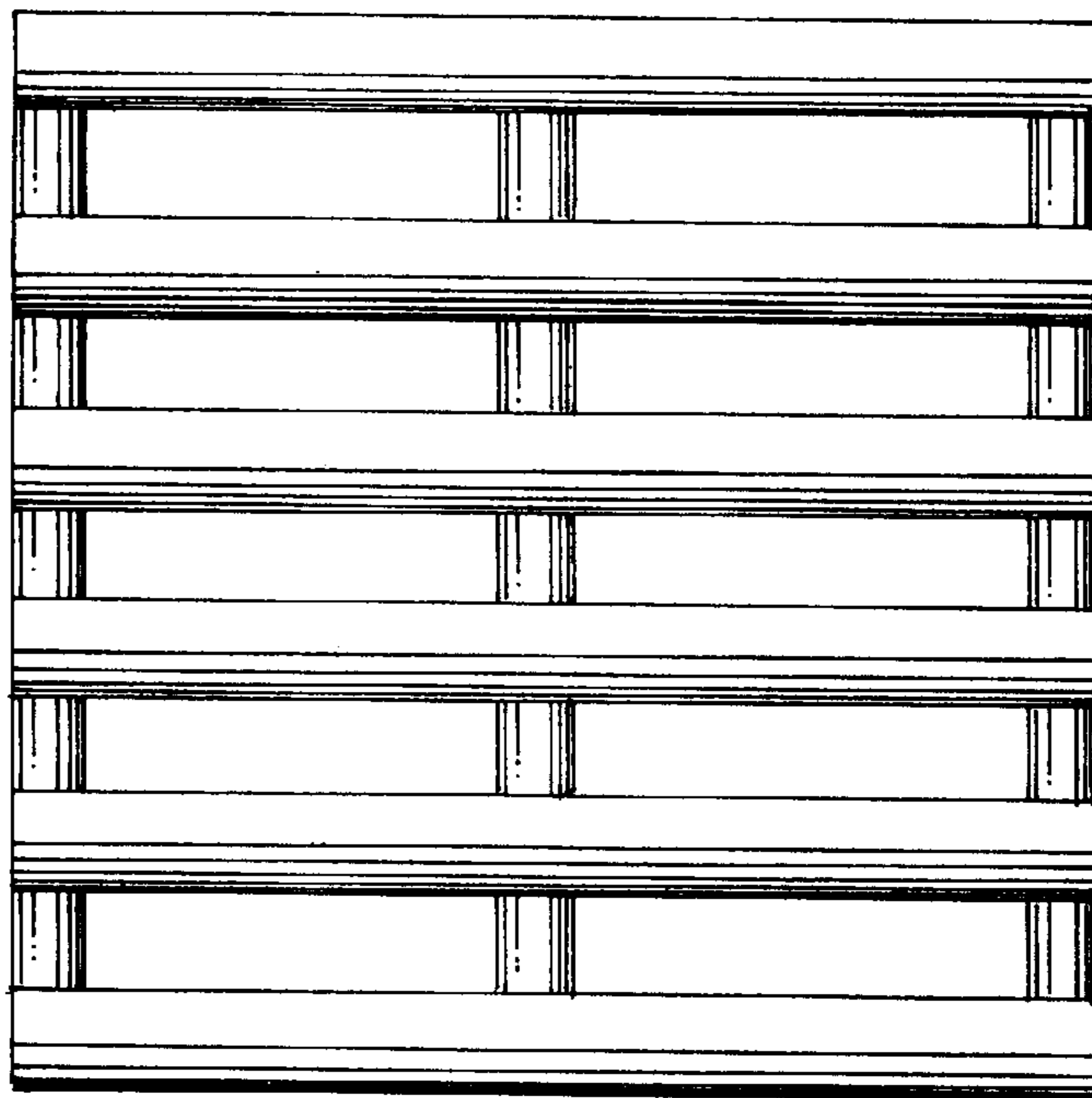


FIG. 2

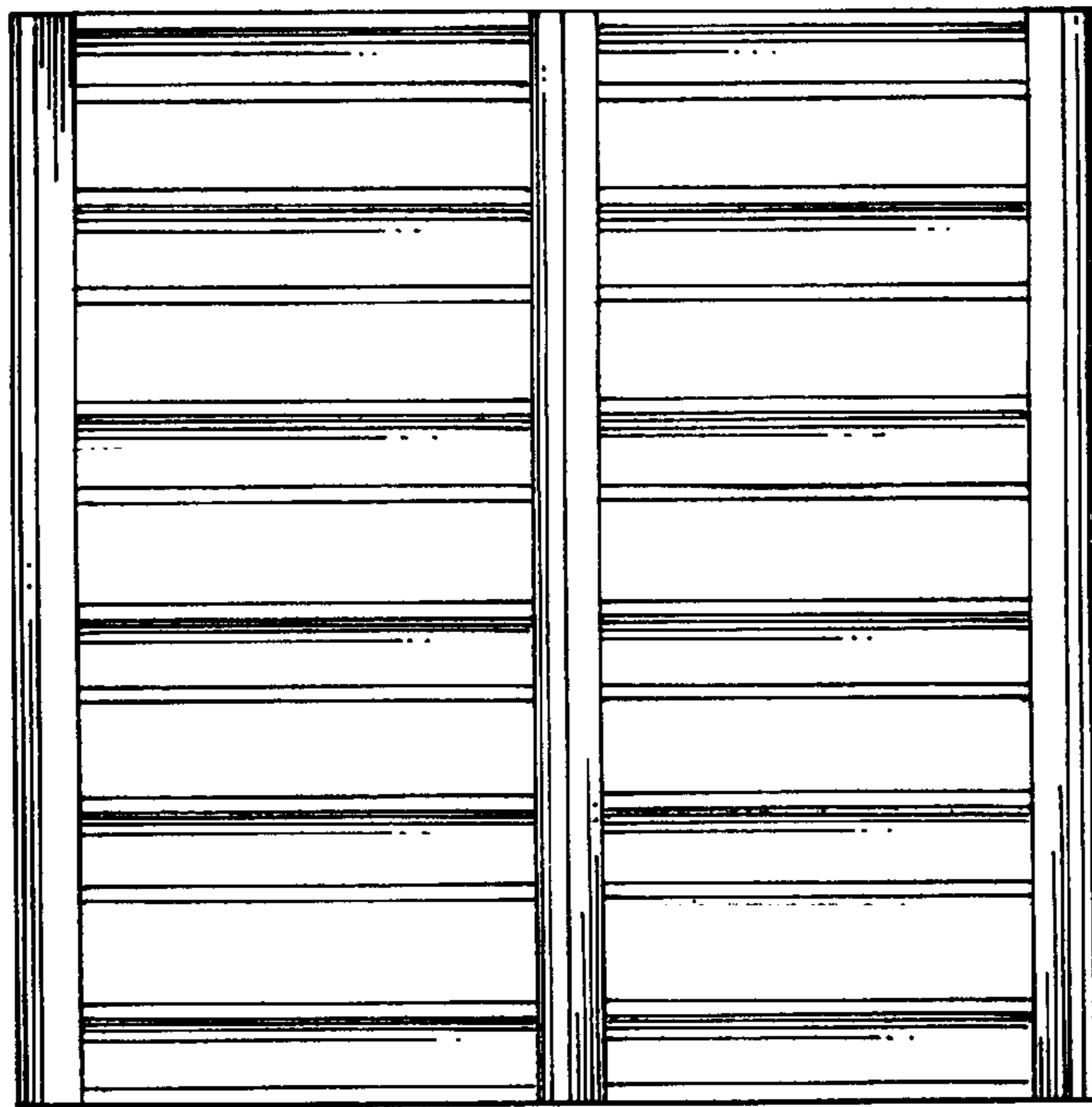


FIG. 3

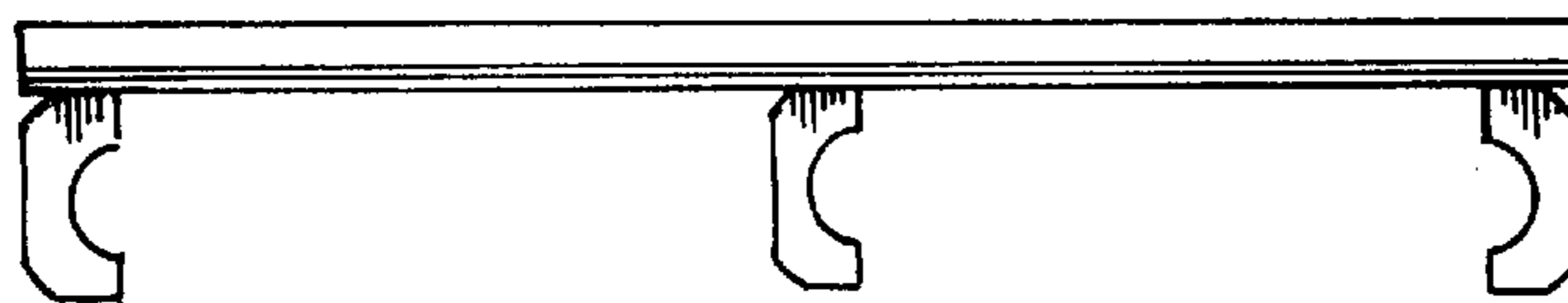


FIG. 4



FIG. 5