



US00D433771S

**United States Patent** [19]  
**Hiller et al.**

[11] **Patent Number: Des. 433,771**  
[45] **Date of Patent: \*\* Nov. 14, 2000**

[54] **OUTDOOR LAMP BASE**

[75] Inventors: **Raymond J. Hiller**, Chapel Hill;  
**Michael Drake**, Stoney Creek, both of  
N.C.

[73] Assignee: **Regent Lighting Corporation**,  
Burlington, N.C.

[\*\*] Term: **14 Years**

[21] Appl. No.: **29/110,213**

[22] Filed: **Sep. 1, 1999**

[51] **LOC (7) Cl.** ..... **26-99**

[52] **U.S. Cl.** ..... **D26/142**

[58] **Field of Search** ..... D10/106; D26/60-66,  
D26/118; 362/267, 271, 272, 275, 276,  
288, 427, 428, 429, 384, 432, 418, 419,  
394

[56] **References Cited**

**U.S. PATENT DOCUMENTS**

D. 399,022	9/1998	Jensen et al.	.....	D26/142
5,258,899	11/1993	Chen	.....	362/394
5,381,323	1/1995	Osteen et al.	.....	362/394 X

*Primary Examiner*—Susan J. Lucas  
*Attorney, Agent, or Firm*—Niro, Scavone, Haller & Niro

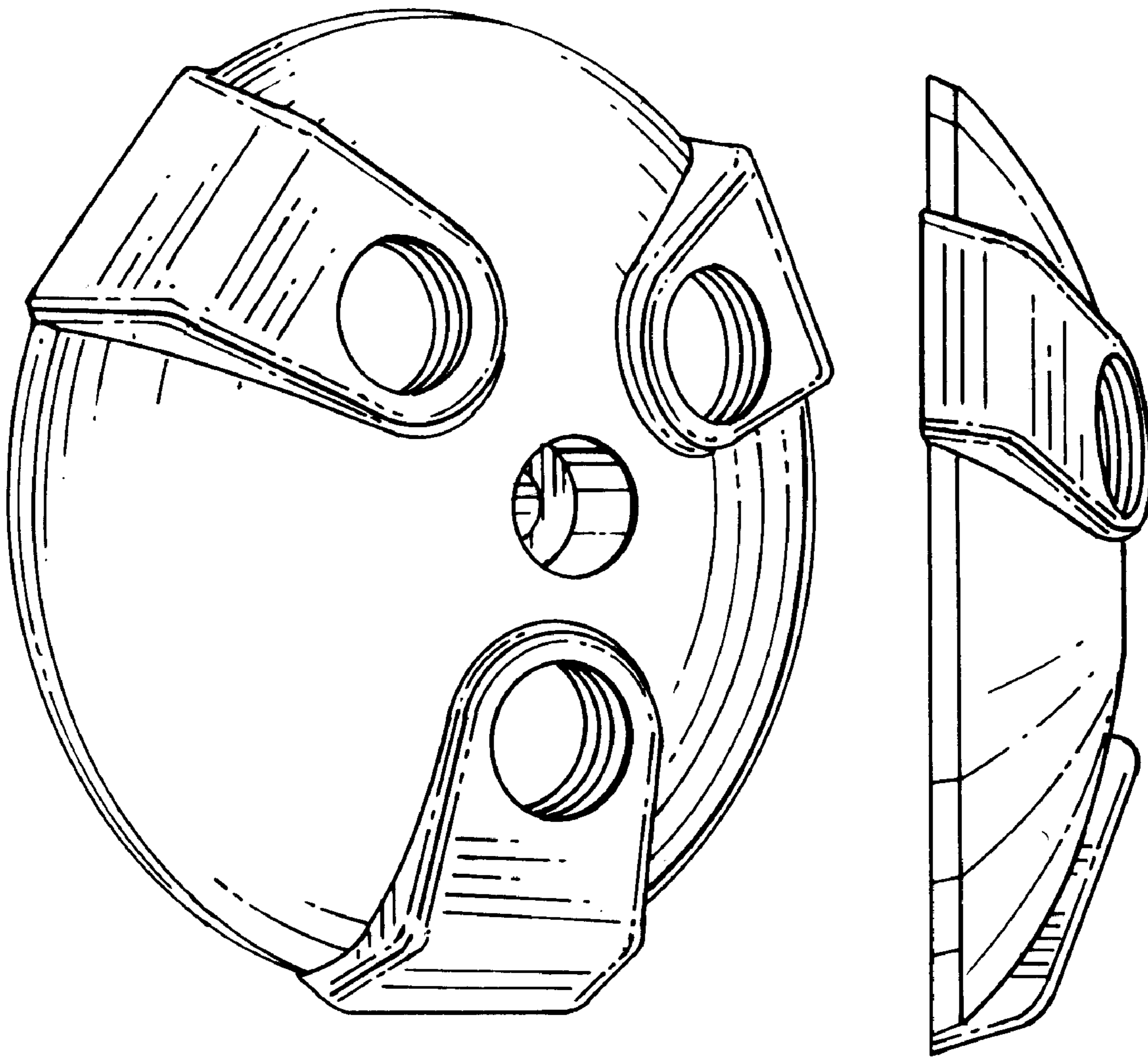
[57] **CLAIM**

We claim the ornamental design for an outdoor lamp base,  
as shown and described.

**DESCRIPTION**

FIG. 1 is a perspective view of the new design;  
FIG. 2 is a top plan view thereof;  
FIG. 3 is a side elevational view thereof;  
FIG. 4 is a front plan view thereof; and,  
FIG. 5 is a bottom plan view thereof.

**1 Claim, 1 Drawing Sheet**



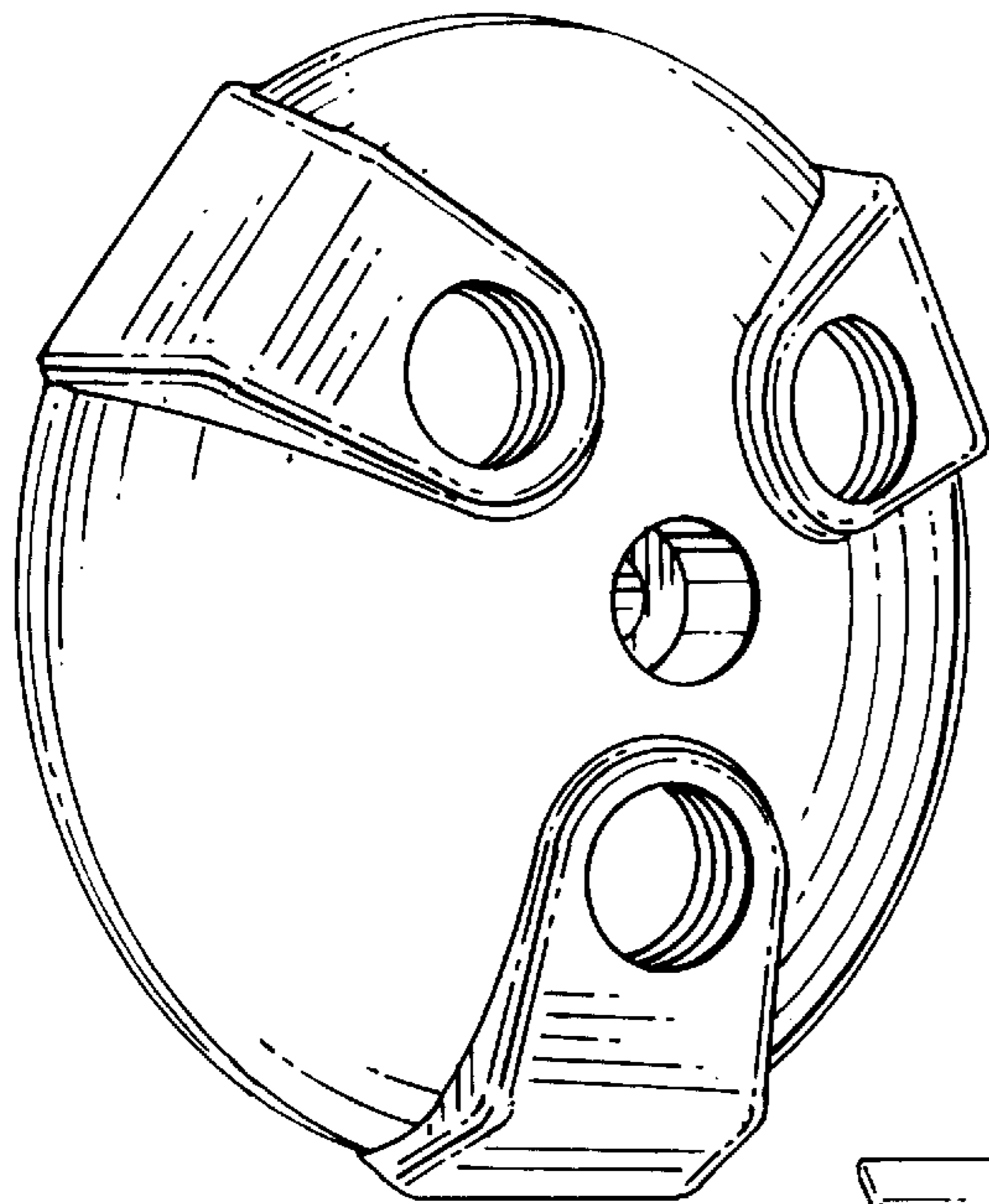


FIG. 1

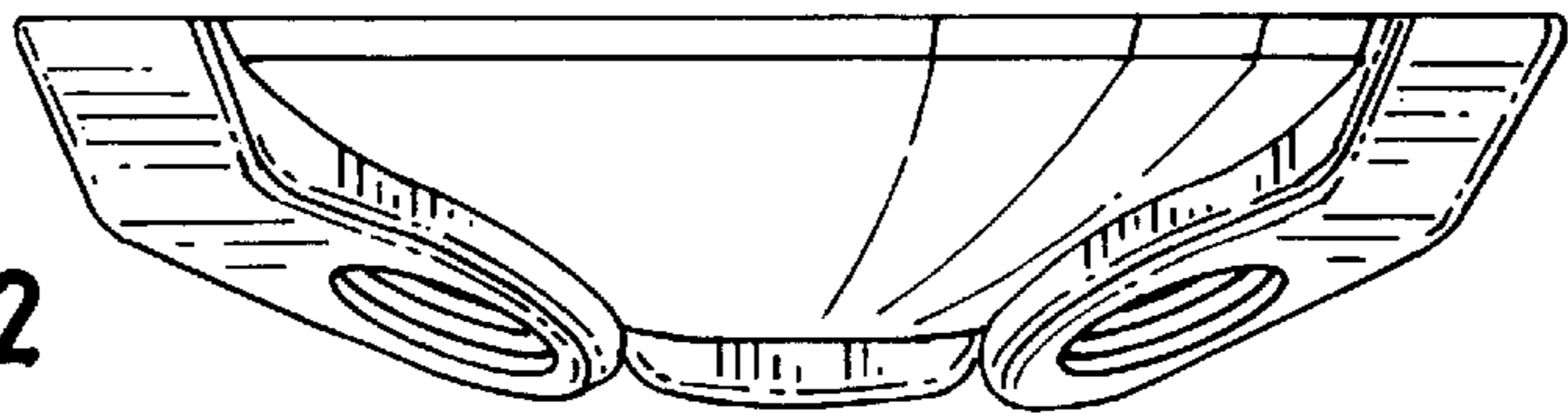


FIG. 2

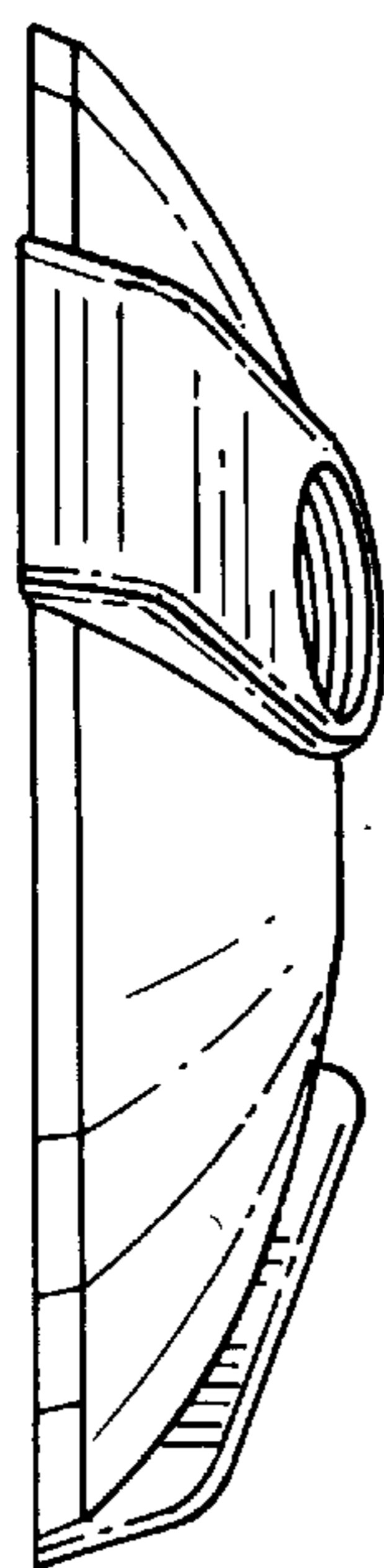


FIG. 3

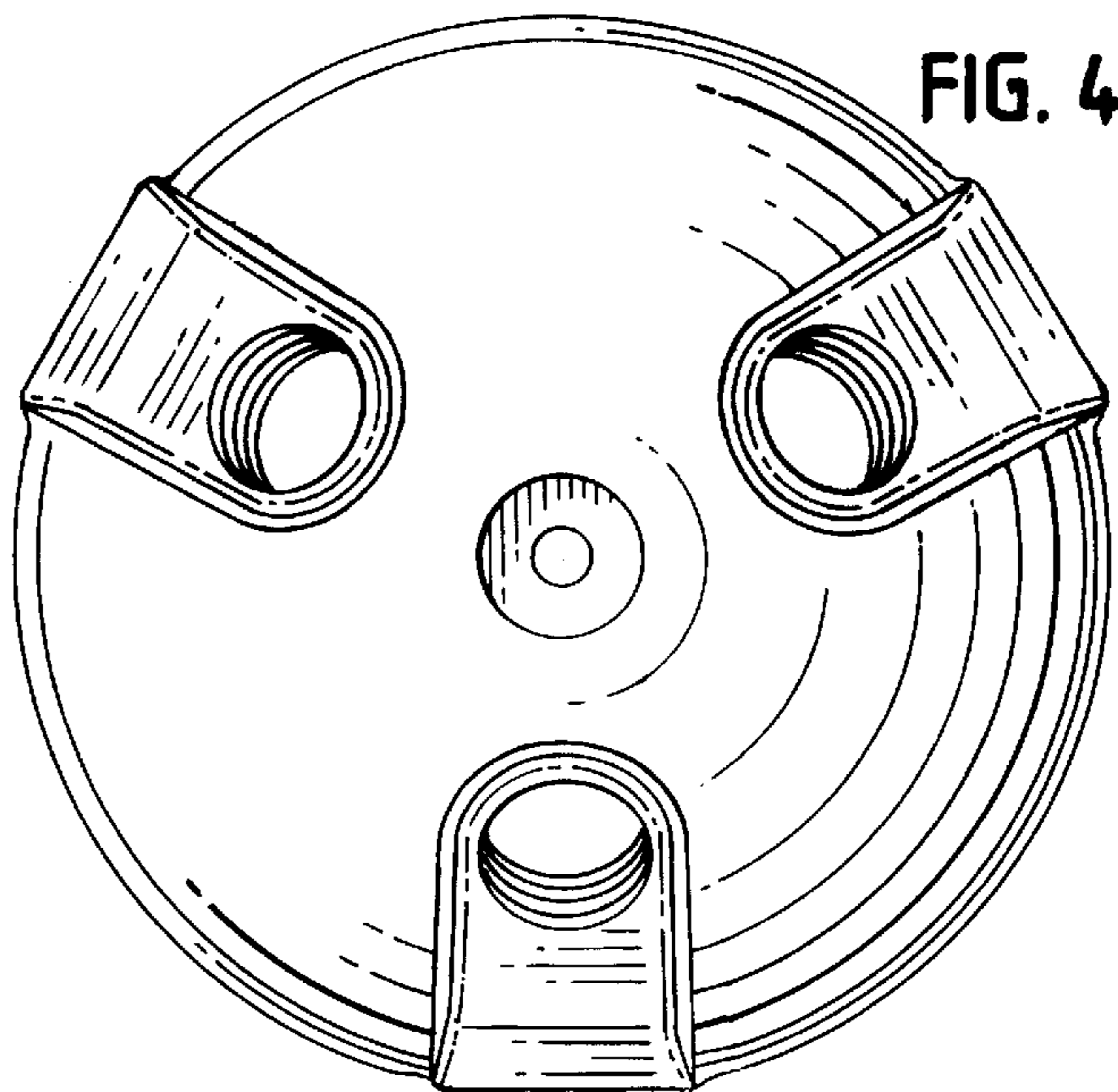


FIG. 4

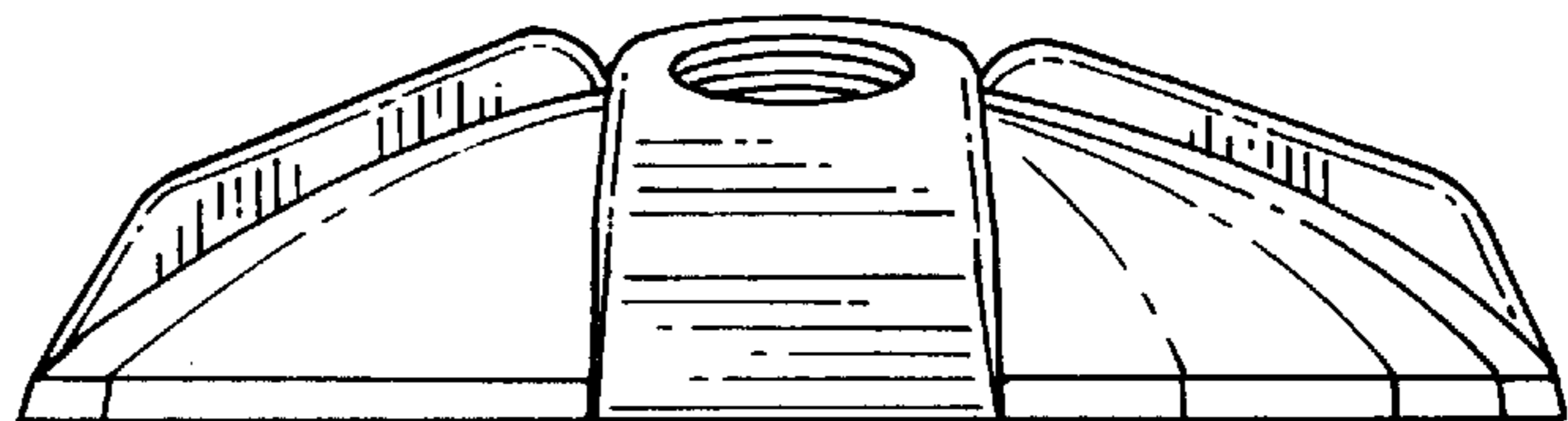


FIG. 5