



US00D433770S

United States Patent [19] Rotstein

[11] **Patent Number: Des. 433,770**

[45] **Date of Patent: ** Nov. 14, 2000**

[54] **BULB ATTACHMENT**

[76] Inventor: **Harry Rotstein**, 11 Twin Circle Court,
North York, Ontario, Canada, M2R 3L3

[**] Term: **14 Years**

[21] Appl. No.: **29/115,064**

[22] Filed: **Dec. 7, 1999**

[51] **LOC (7) Cl.** **29-99**

[52] **U.S. Cl.** **D26/118; D26/25; D11/125;**
D21/460

[58] **Field of Search** D26/73, 96, 118,
D26/97, 24, 125; D11/117, 121, 123, 124,
125, 130; 362/806, 810; 446/256, 264;
D9/307; D21/460

[56] **References Cited**

U.S. PATENT DOCUMENTS

D. 167,488	8/1952	Schwartz	D9/307
D. 167,592	8/1952	Schwartz	D9/307
D. 254,695	4/1980	Bobrovniczy	D26/118
D. 279,886	7/1985	Soifer	D11/121
D. 375,257	11/1996	Kling	D9/307

D. 421,278 2/2000 Cleary D21/460 X

Primary Examiner—Cynthia Ramirez
Attorney, Agent, or Firm—Ratner & Prestia

[57] **CLAIM**

The ornamental design for a bulb attachment, as shown and described.

DESCRIPTION

FIG. 1 is a perspective view of the design showing the bulb attachment from one corner;

FIG. 2 is a perspective view of the design from the diagonally opposite corner to that of FIG. 1;

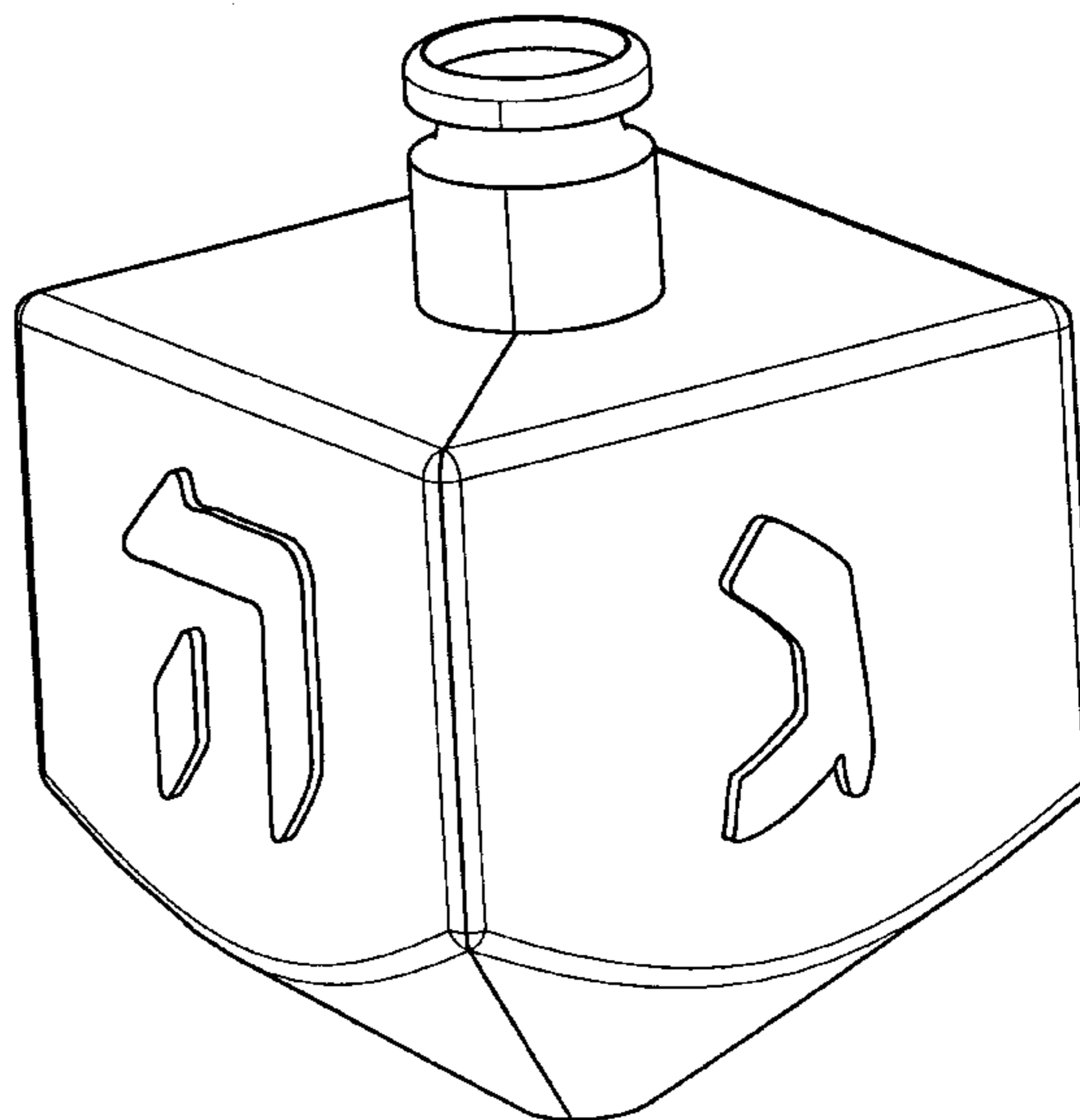
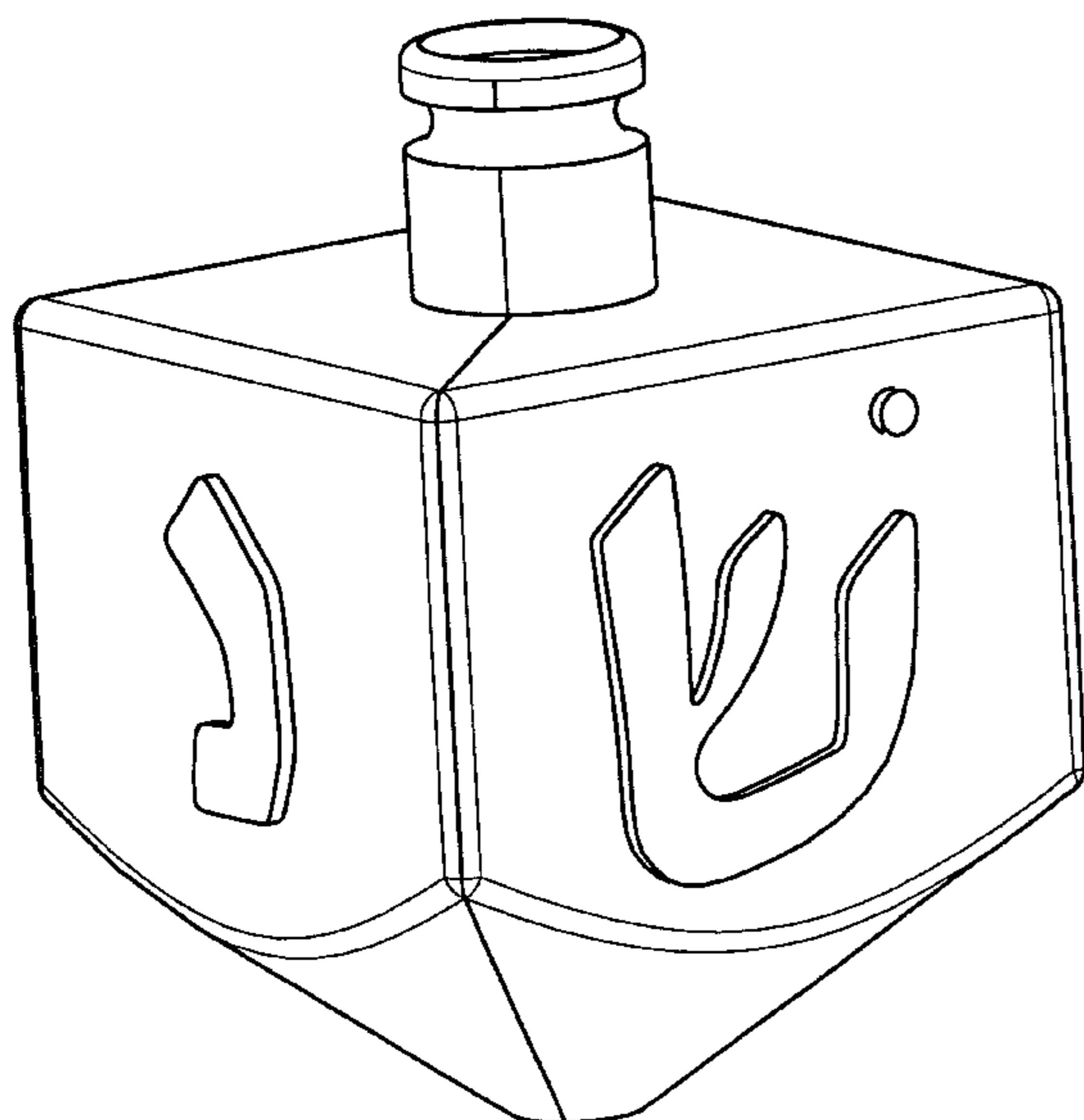
FIG. 3 is a perspective view of the design showing the side of the bulb attachment 90° counter-clockwise to that of FIG. 1;

FIG. 4 is a perspective view of the design from the diagonally opposite corner to that of FIG. 3;

FIG. 5 is a view of the design showing the bulb attachment from below the diagonal corner of FIG. 3; and,

FIG. 6 is a view of the design showing the bulb attachment from below the diagonal corner of FIG. 4.

1 Claim, 6 Drawing Sheets



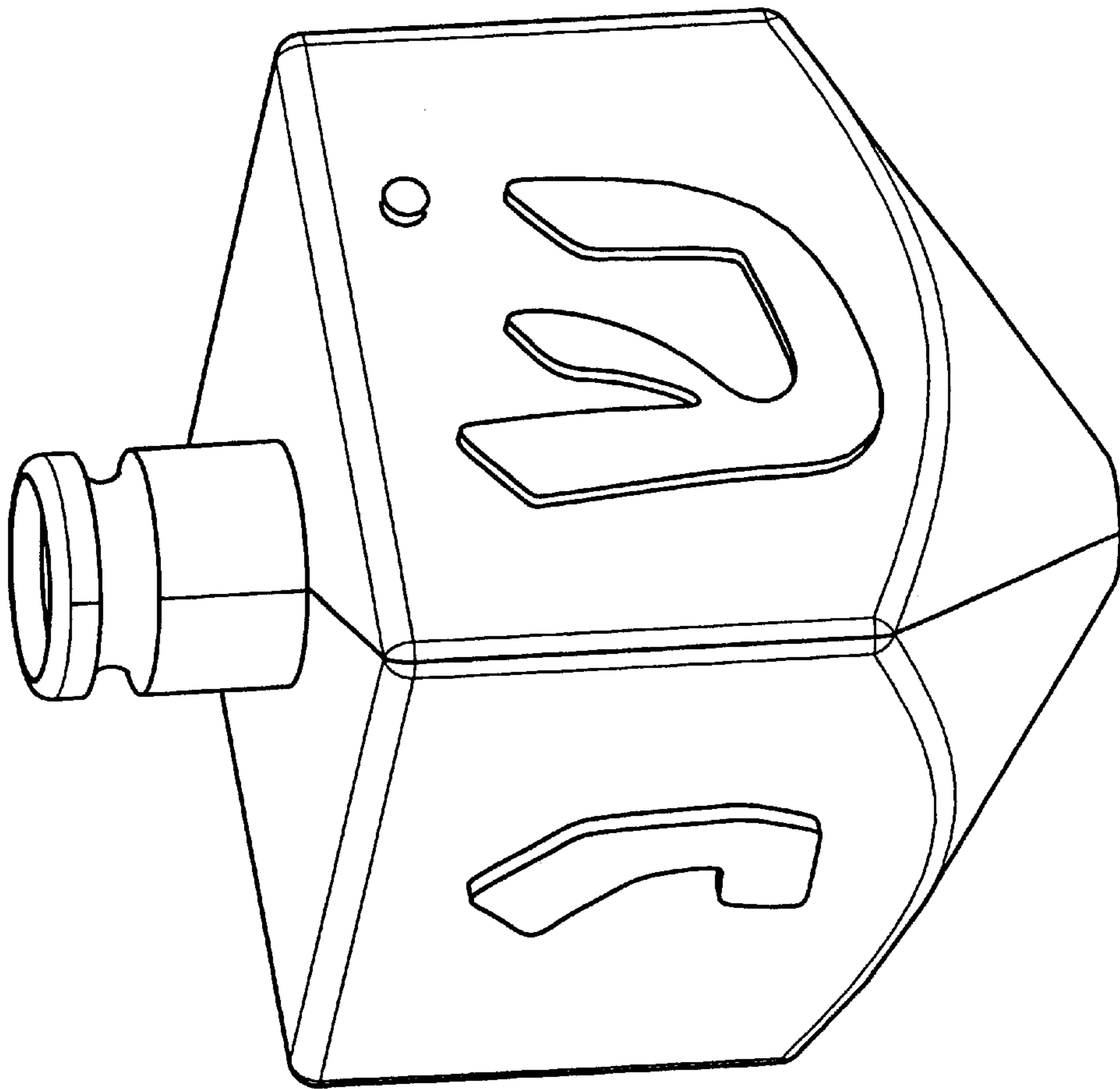


FIGURE 1

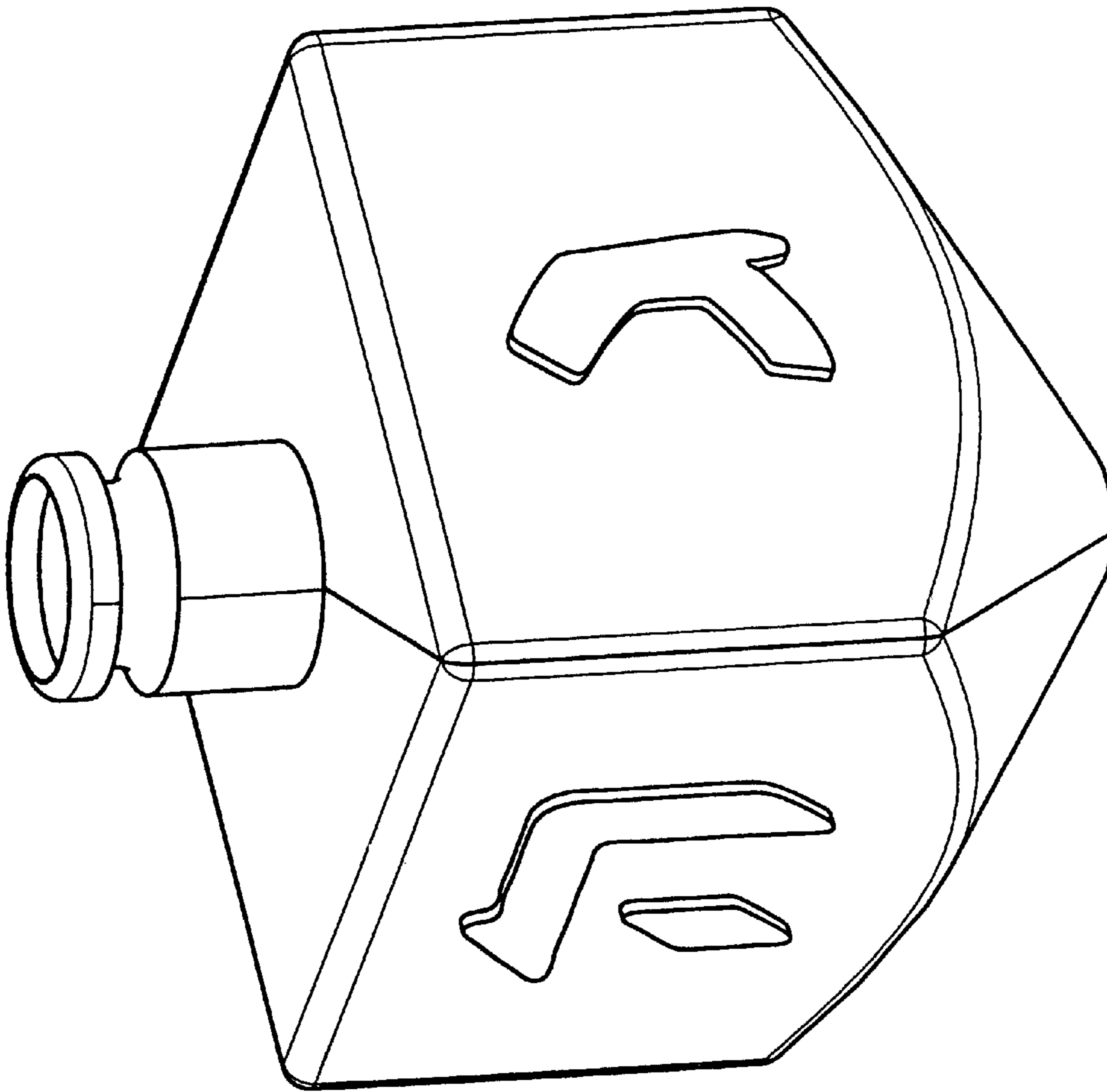


FIGURE 2

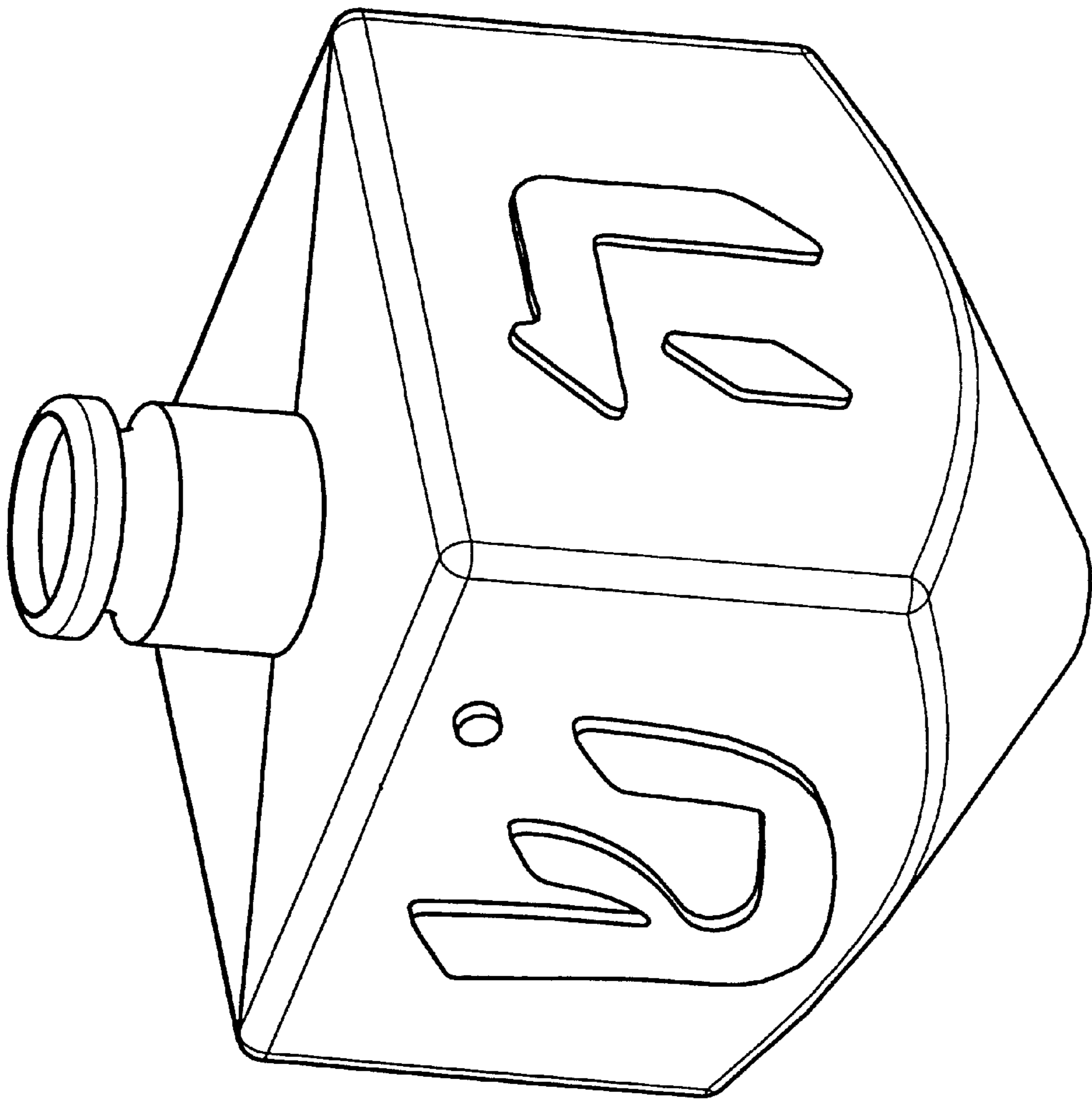


FIGURE 3

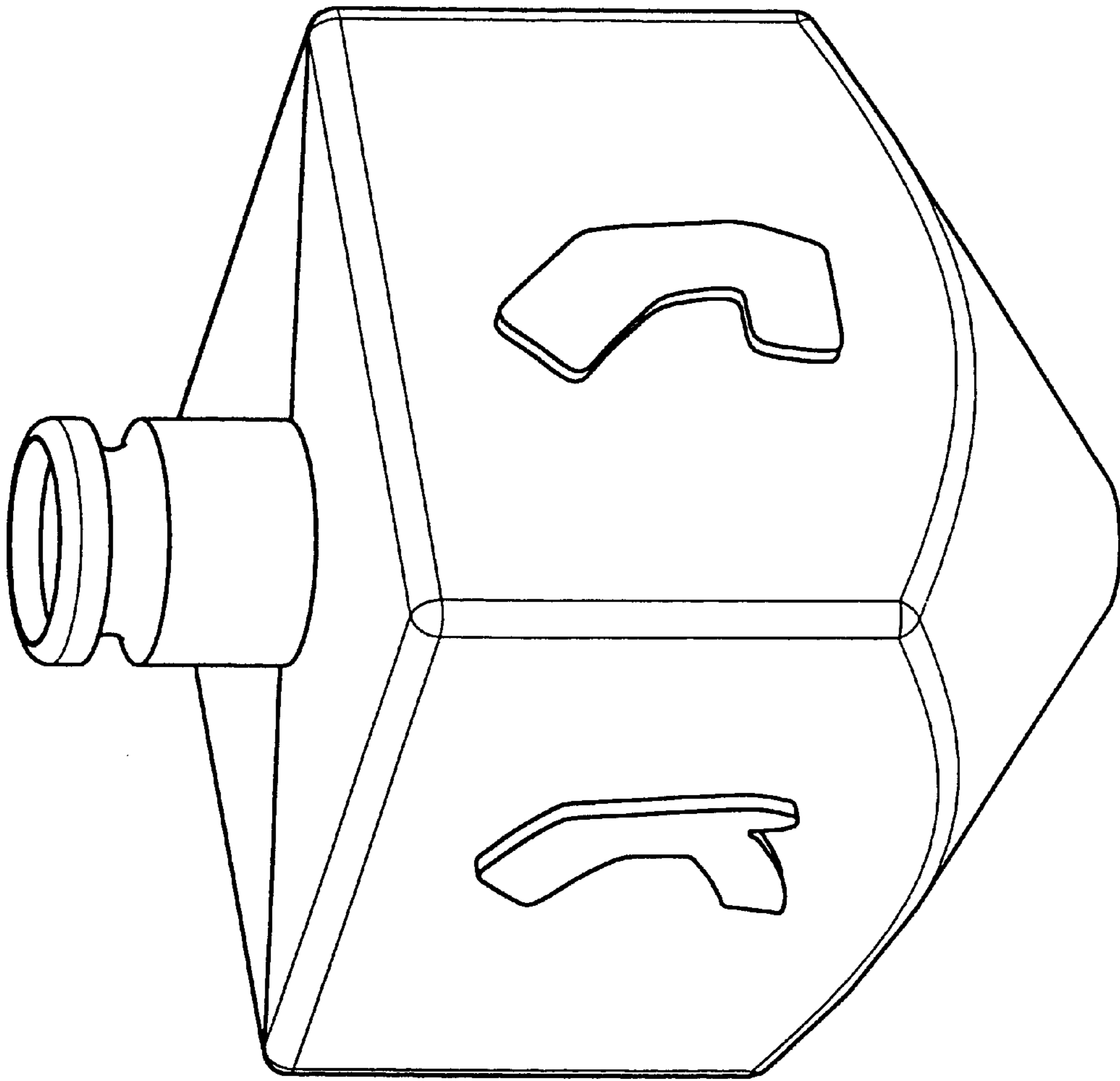


FIGURE 4

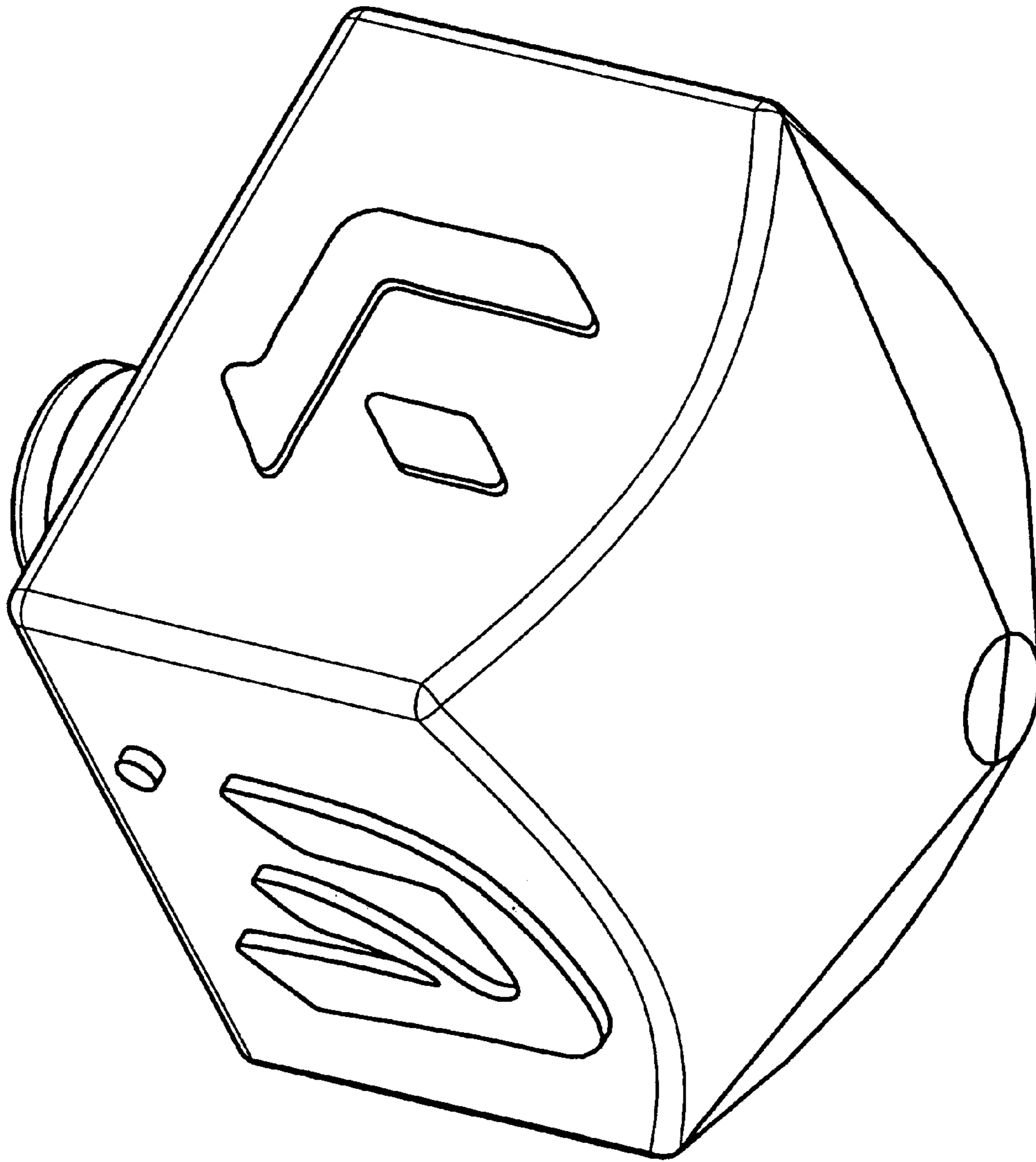


FIGURE 5

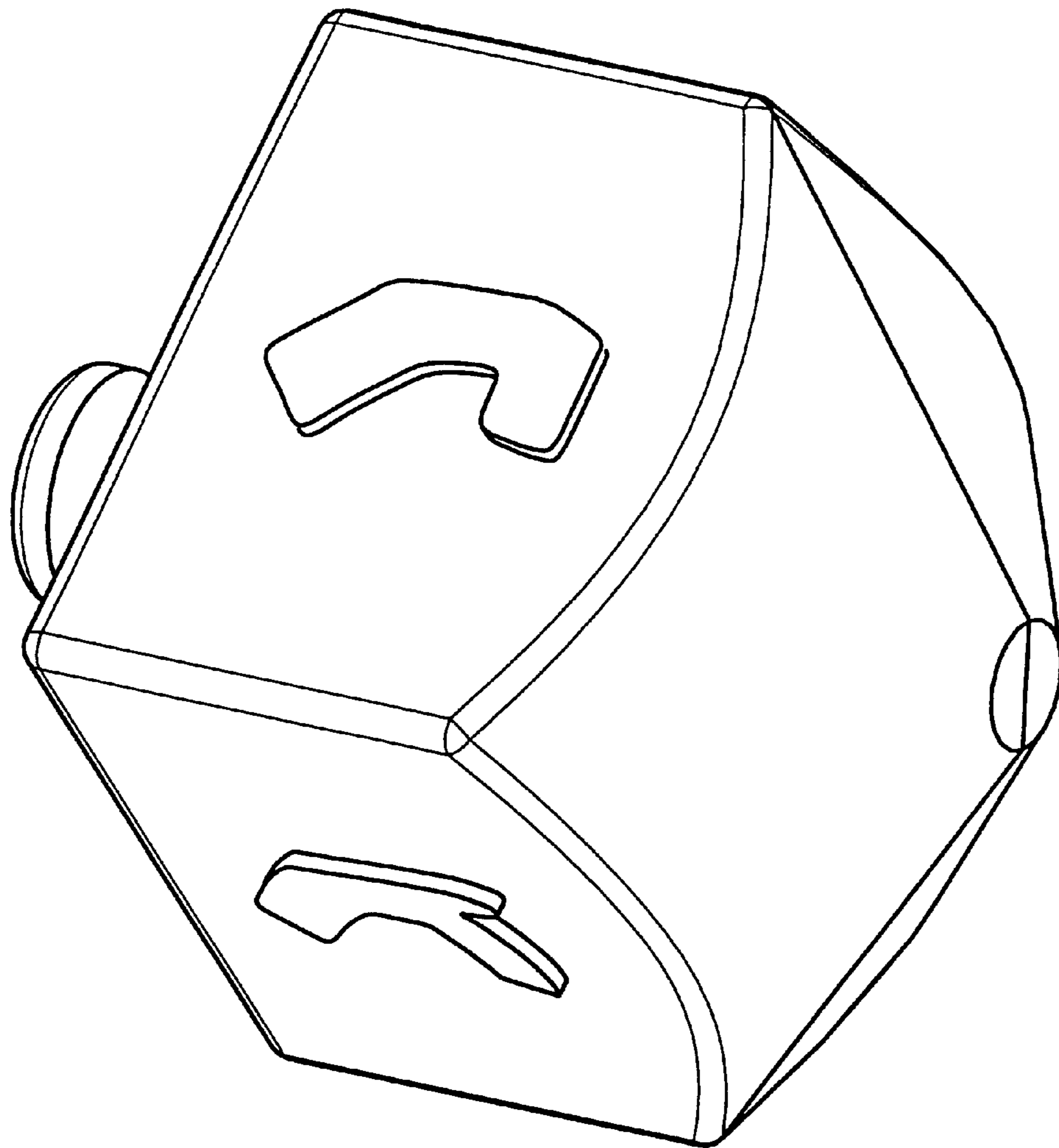


FIGURE 6