



US00D433765S

United States Patent [19] Leap

[11] Patent Number: **Des. 433,765**

[45] Date of Patent: **** Nov. 14, 2000**

[54] **PORTION OF A MUSICAL INSTRUMENT
LAMP**

[76] Inventor: **Daniel D. Leap**, 5525 Noland Rd.,
Shawnee, Kans. 66216

[**] Term: **14 Years**

[21] Appl. No.: **29/116,699**

[22] Filed: **Jan. 7, 2000**

[51] **LOC (7) Cl.** **26-03**

[52] **U.S. Cl.** **D26/94**

[58] **Field of Search** D26/51, 57, 93,
D26/94, 113, 125; D6/399, 450; 362/127,
134, 410-414, 431, 806, 801; 84/726-728;
D17/18, 14, 20, 21

[56] **References Cited**

U.S. PATENT DOCUMENTS

| | | | | |
|------------|---------|---------------|-------|--------|
| D. 248,254 | 6/1978 | Miller | | D26/94 |
| D. 297,332 | 8/1988 | Marx | | D17/20 |
| D. 400,734 | 11/1998 | Dotson et al. | | D6/450 |
| D. 409,646 | 5/1999 | DiPinto | | D17/14 |

OTHER PUBLICATIONS

The Lighter Side, Dancing Elvis Lamp, p. 53, Holiday 1996.
Taiwan Lighting, Lamp CF-3, p. 135, Nov. 1997.

Primary Examiner—Alan P. Douglas

Assistant Examiner—Linda Brooks

Attorney, Agent, or Firm—Hovey, Williams, Timmons &
Collins

[57] **CLAIM**

The ornamental design for a portion of a musical instrument
lamp, as shown and described.

DESCRIPTION

FIG. 1 is a front elevational view, the broken lines showing
of the finial, shade, light bulb, musical instrument body and
base being for illustrative purposes only and forms no part
of the claimed design.

FIG. 2 is a right side elevational view thereof;

FIG. 3 is a rear elevational view thereof;

FIG. 4 is a left side elevational view thereof; and,

FIG. 5 is a top plan view thereof, the bottom being hidden
from view in use.

1 Claim, 1 Drawing Sheet

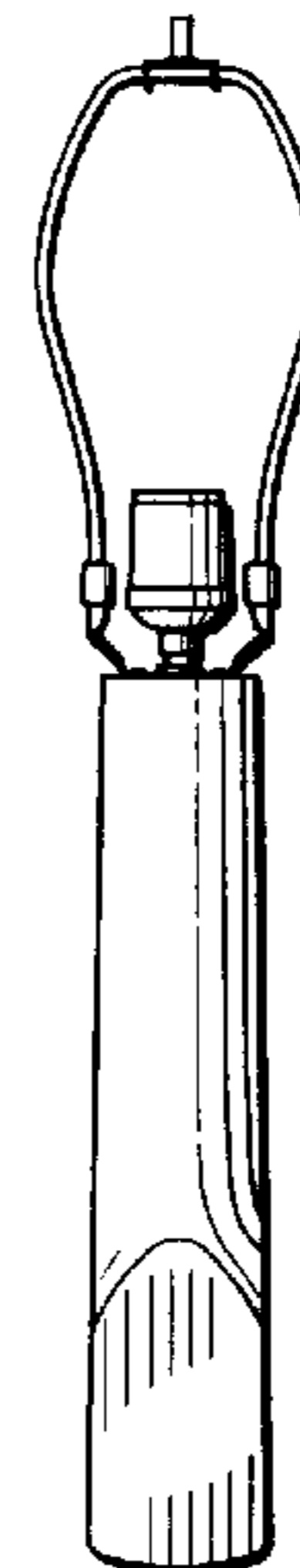
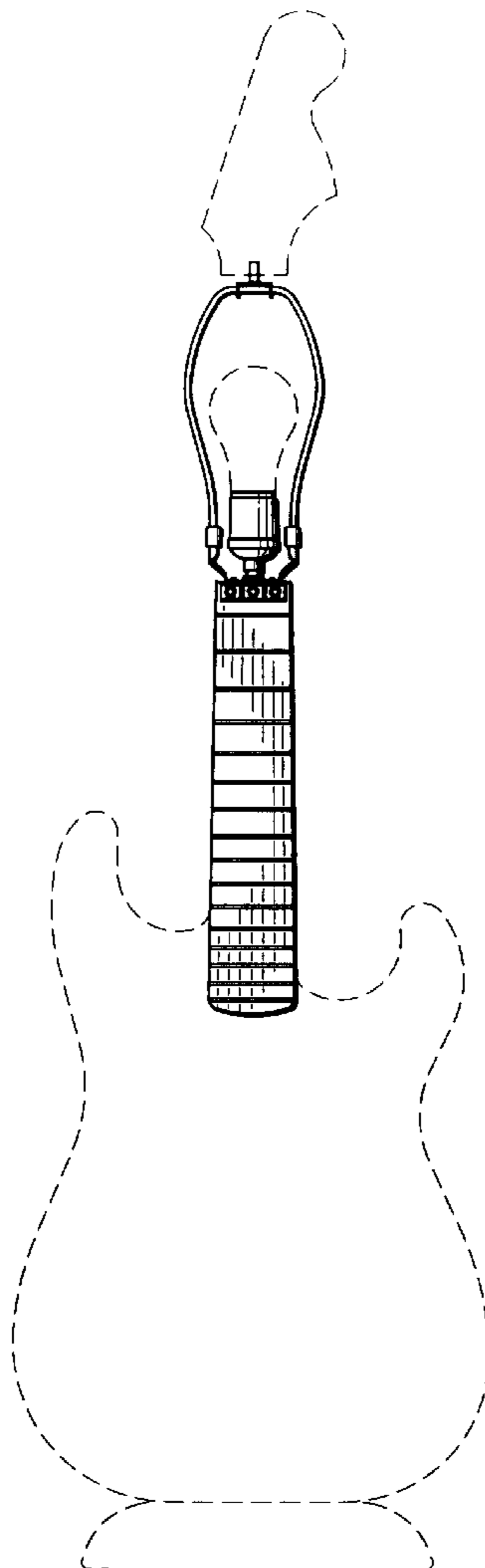


FIG. 1

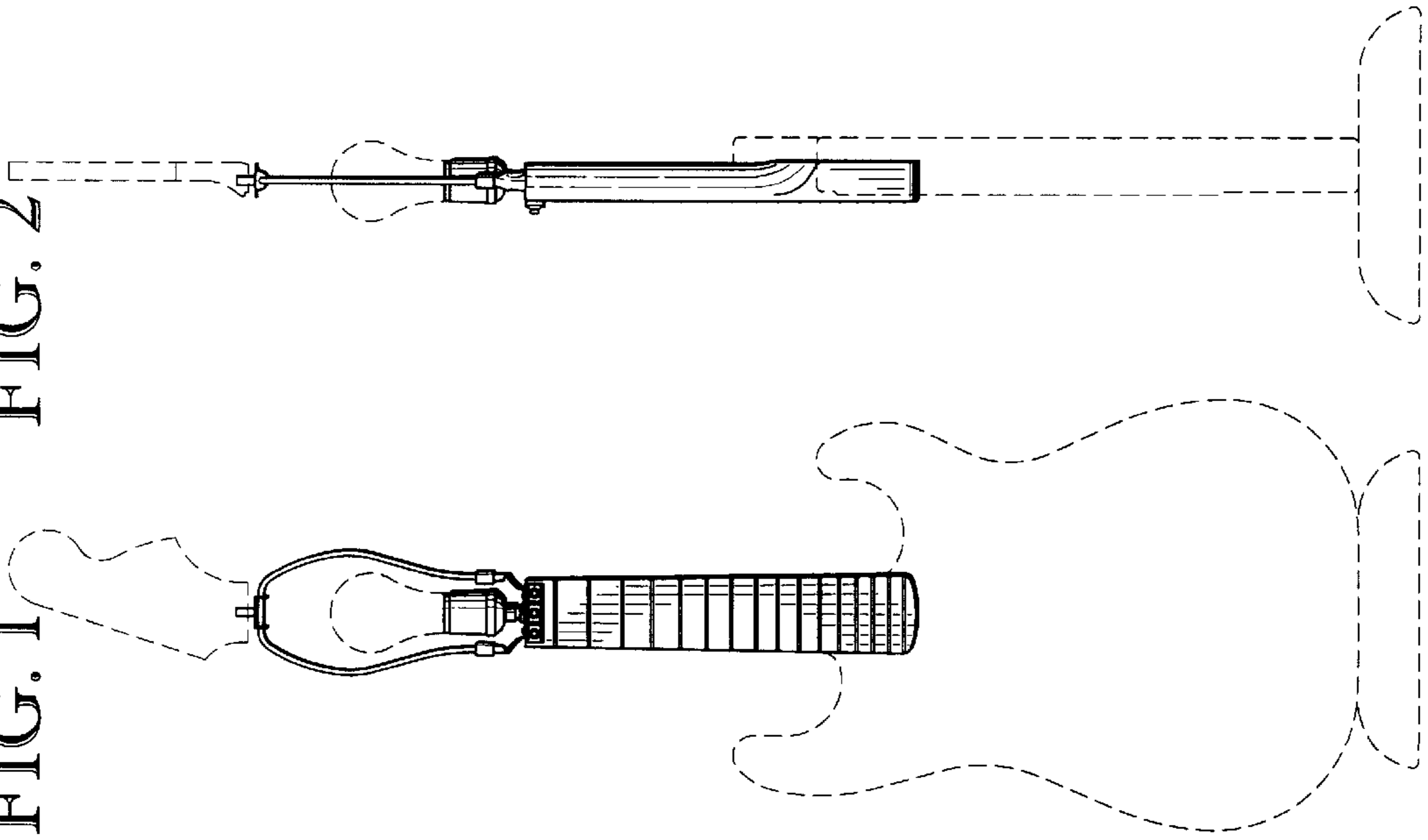


FIG. 2

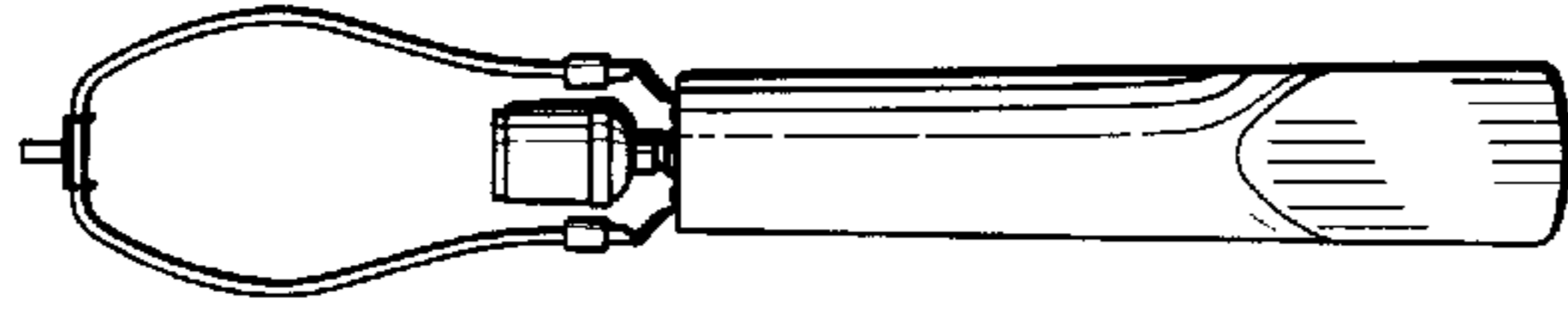


FIG. 3

FIG. 4

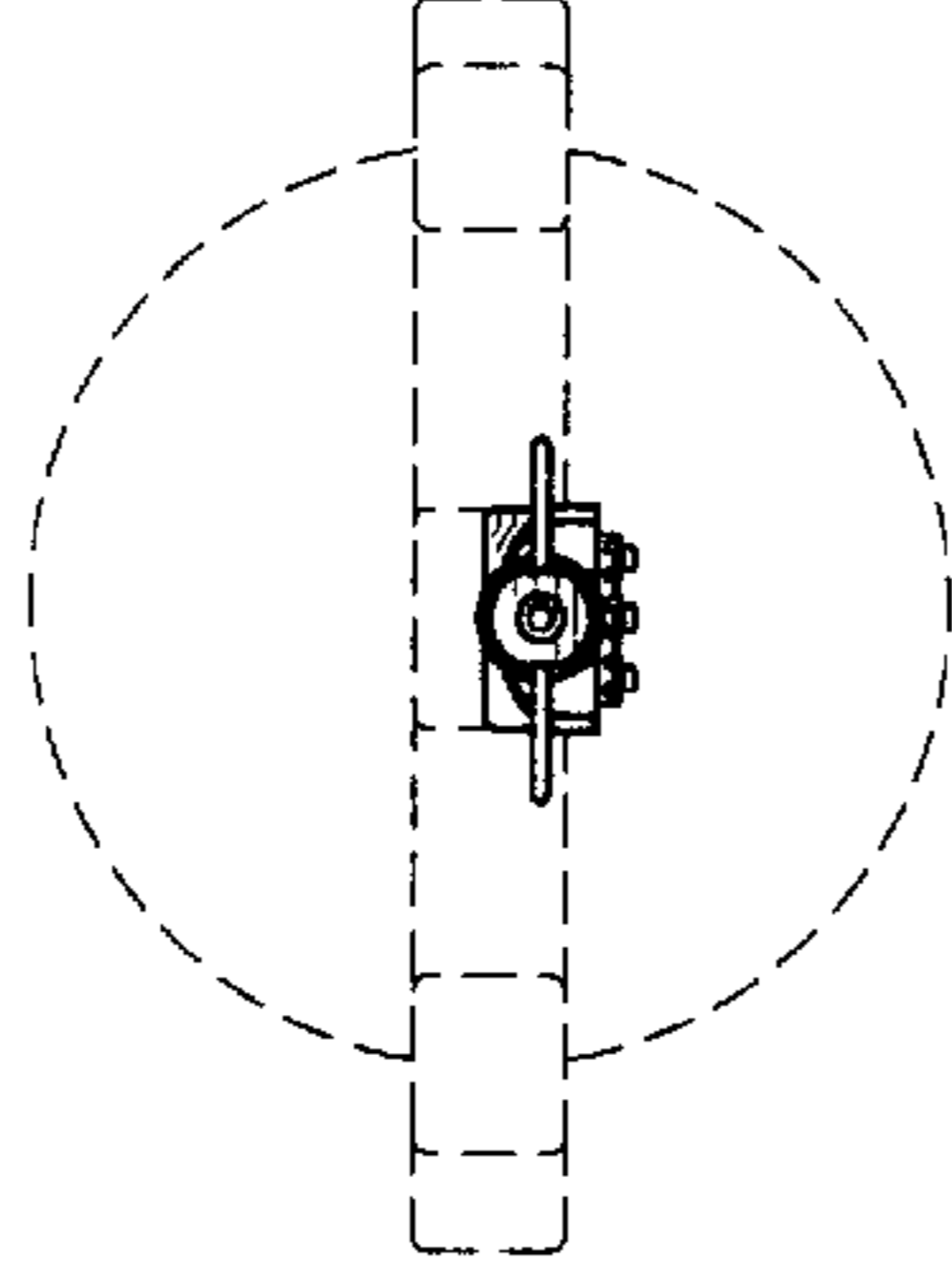


FIG. 5