



US00D433764S

United States Patent [19]

[11] Patent Number: **Des. 433,764**

Dolan

[45] Date of Patent: **** Nov. 14, 2000**

[54] **CHANDELIER**

[76] Inventor: **Patrick S. Dolan**, 1901 NW. Upshur, Portland, Oreg. 97209

[**] Term: **14 Years**

[21] Appl. No.: **29/111,286**

[22] Filed: **Sep. 23, 1999**

[51] **LOC (7) Cl.** **26-05**

[52] **U.S. Cl.** **D26/84; D26/142**

[58] **Field of Search** **D26/72, 80-92; 362/404-408**

Thomas Industries 7400 LaGrange Louisville KY Catalog 1988, p. 7 Model SL 8093.
Kichler Lighting 1541 E. 39th St Cleveland OH 44114 Catalog 487 p. 36, 1987 Model K 1688.
Progress Lighting PO Box 5704 Spartanburg SC 29304 Cat. 1995 Model No. P 4012-10 p. 49.
Thomas Lighting 950 Breckin Ridge Lane, Louisville KY 40207 Cat. 1996 Model SLB 145-1, p. 81.
World Imports PO Box 7748 Station C Atlanta, GA 30309 Catalog 17, 1990 p. 46, Model 816-22.
Forecast 1600 Fleetwood Dr Elgin IL 60123 Catalog F 27366, 1993 p. 97 Model F 10990-65.
Progress Lighting PO Box 5704 Spartanburg SC 29304 Catalog No. 119, 1988 Model P 4057-30 p. 41.

Primary Examiner—Susan J. Lucas

[56] **References Cited**

U.S. PATENT DOCUMENTS

D. 418,621 1/2000 Dolan D26/84

OTHER PUBLICATIONS

Dolan Designs, 1994, p. 20, chandelier # 200-20.
Dolan Designs, 1995, p. 30, chandelier # 275-20.
Wilshire 645 Myles Standish Bl, Taunton MA 02780 Catalog 103, 1994 p. 32 Model W 3707.
Murray Feiss 125 Rose Feiss Bl, Bronx NY 10454 Catalog vol. 2000 p. 56, Model 1560.
Murray Feiss 125 Rose Feiss Bl Bronx NY 10454 Catalog vol. 2000 p. 41 Model F 1569.

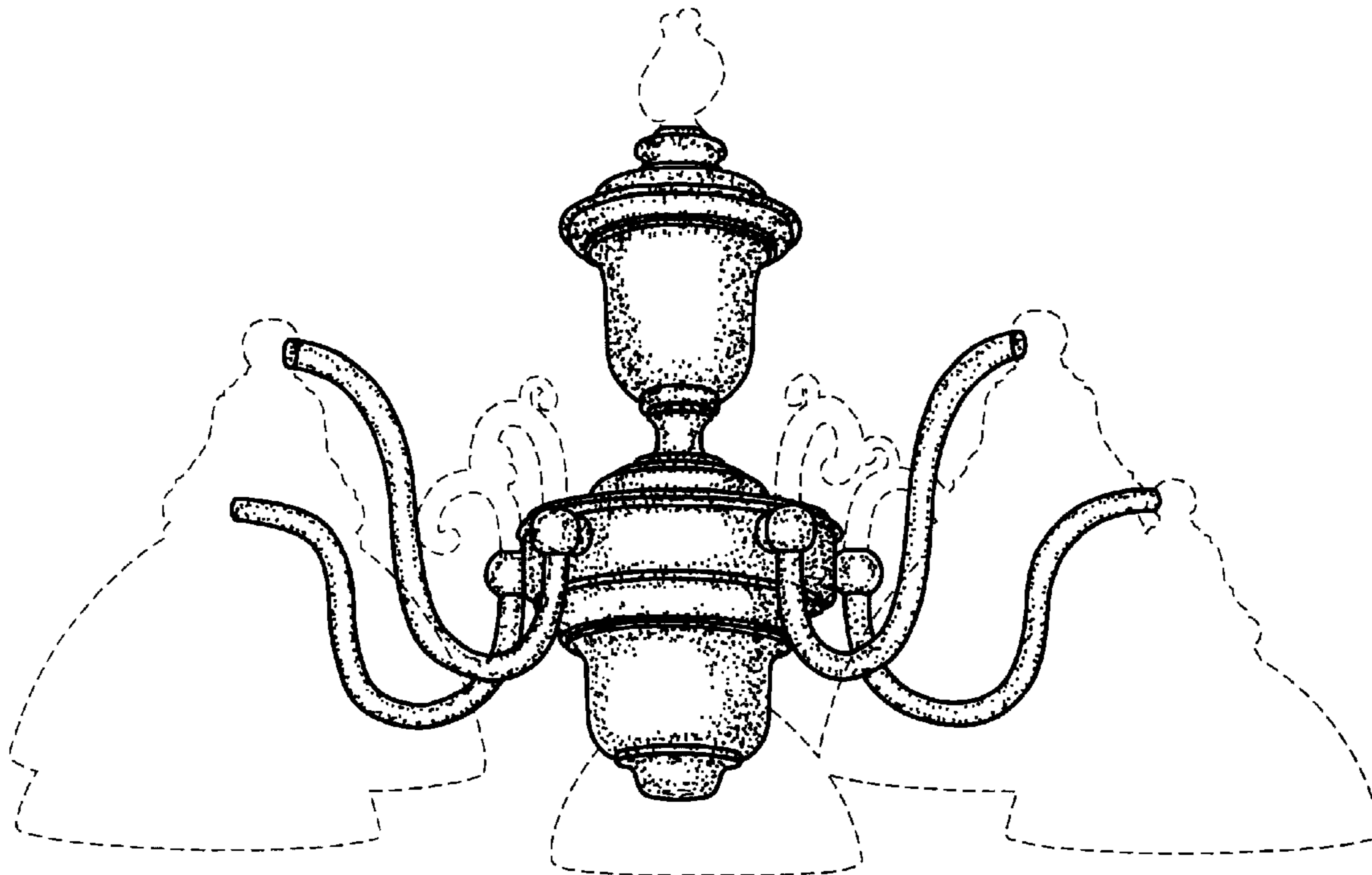
[57] **CLAIM**

The ornamental design for a chandelier, as shown and described.

DESCRIPTION

FIG. 1 is a perspective view thereof;
FIG. 2 is a front elevational view thereof;
FIG. 3 is a top plan view thereof; and,
FIG. 4 is a bottom plan view thereof.
The broken lines shown in the drawing are environmental only and form no part of the claimed design.

1 Claim, 4 Drawing Sheets



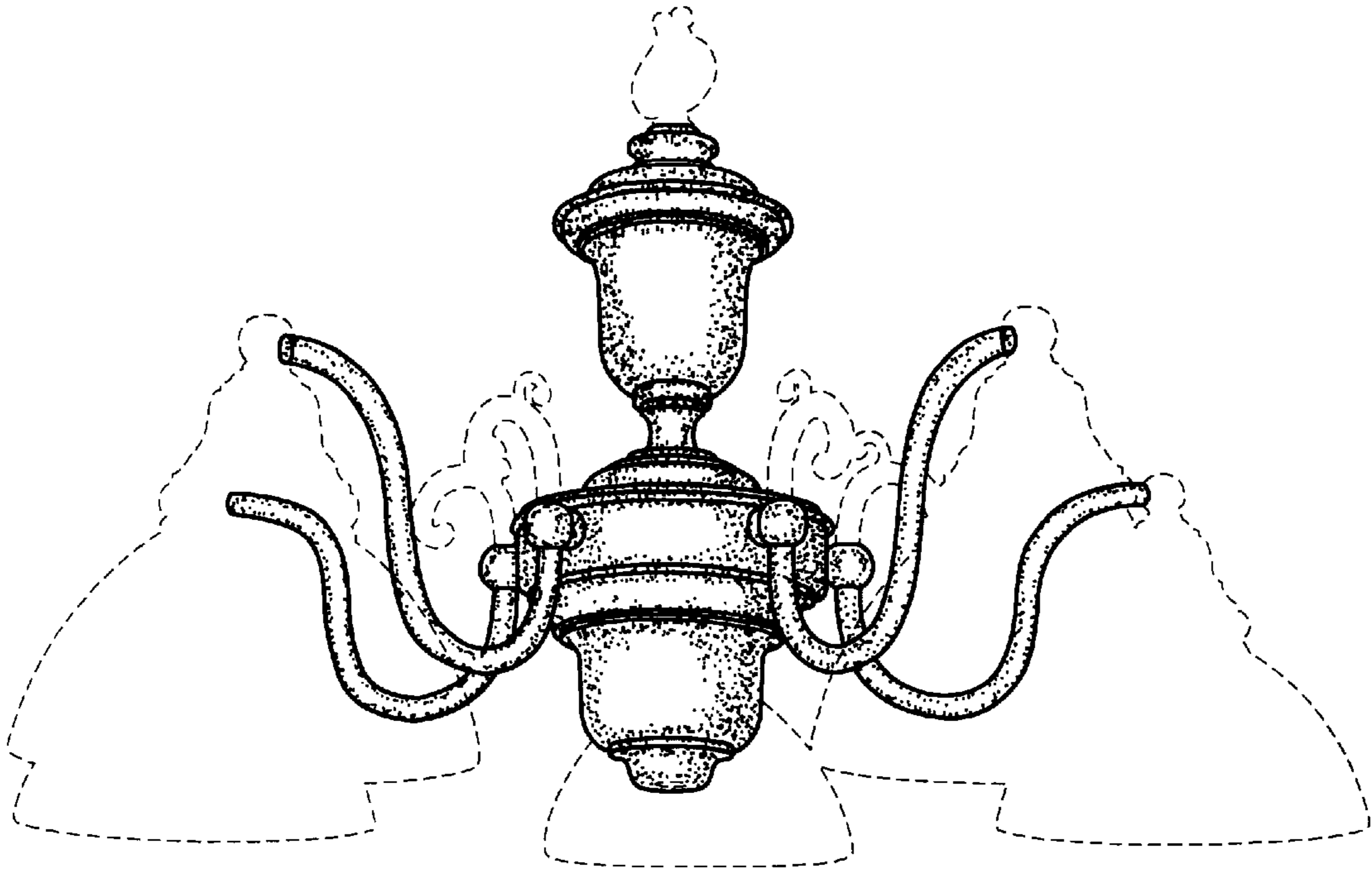


FIG. 1

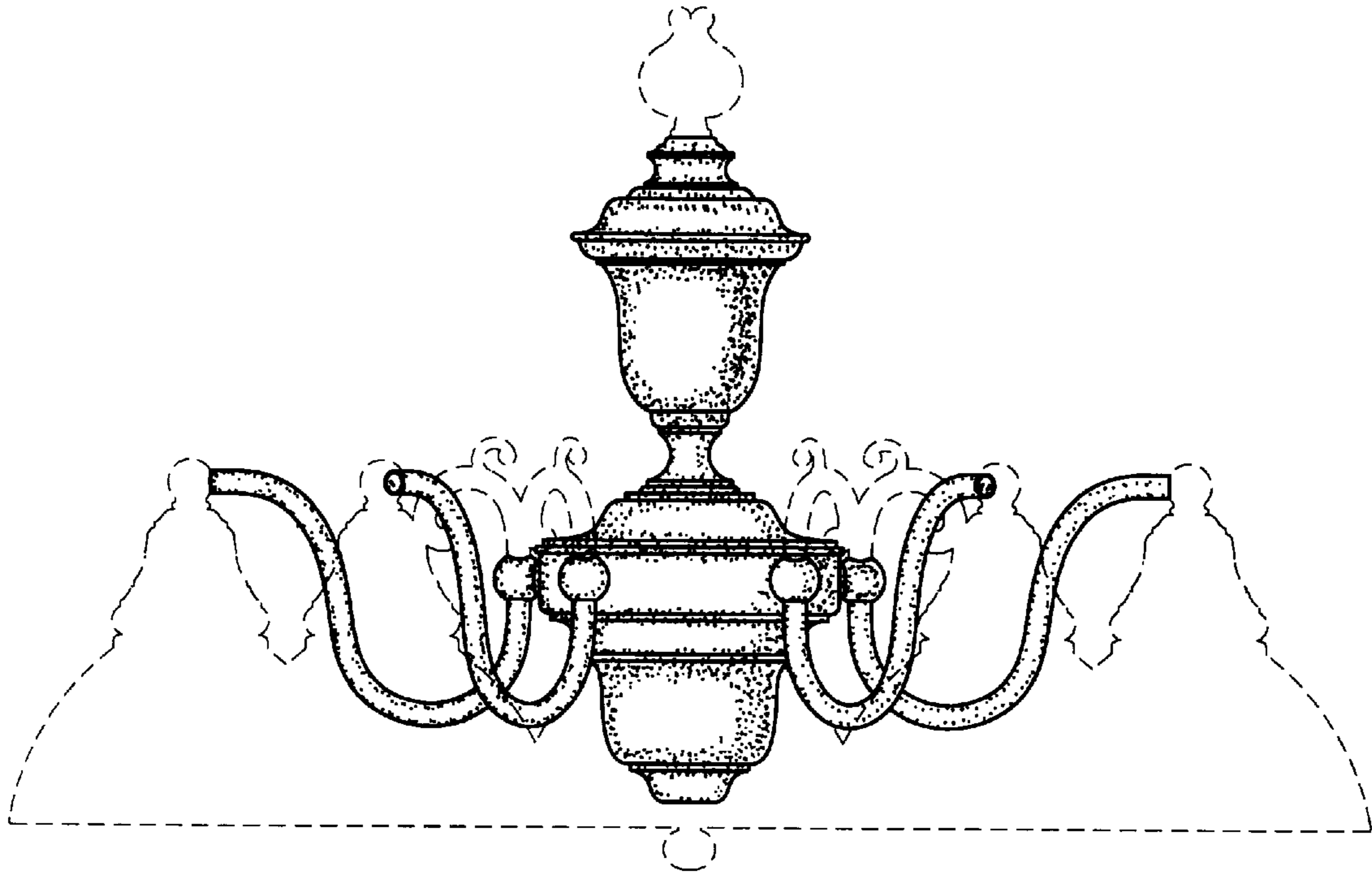


FIG. 2

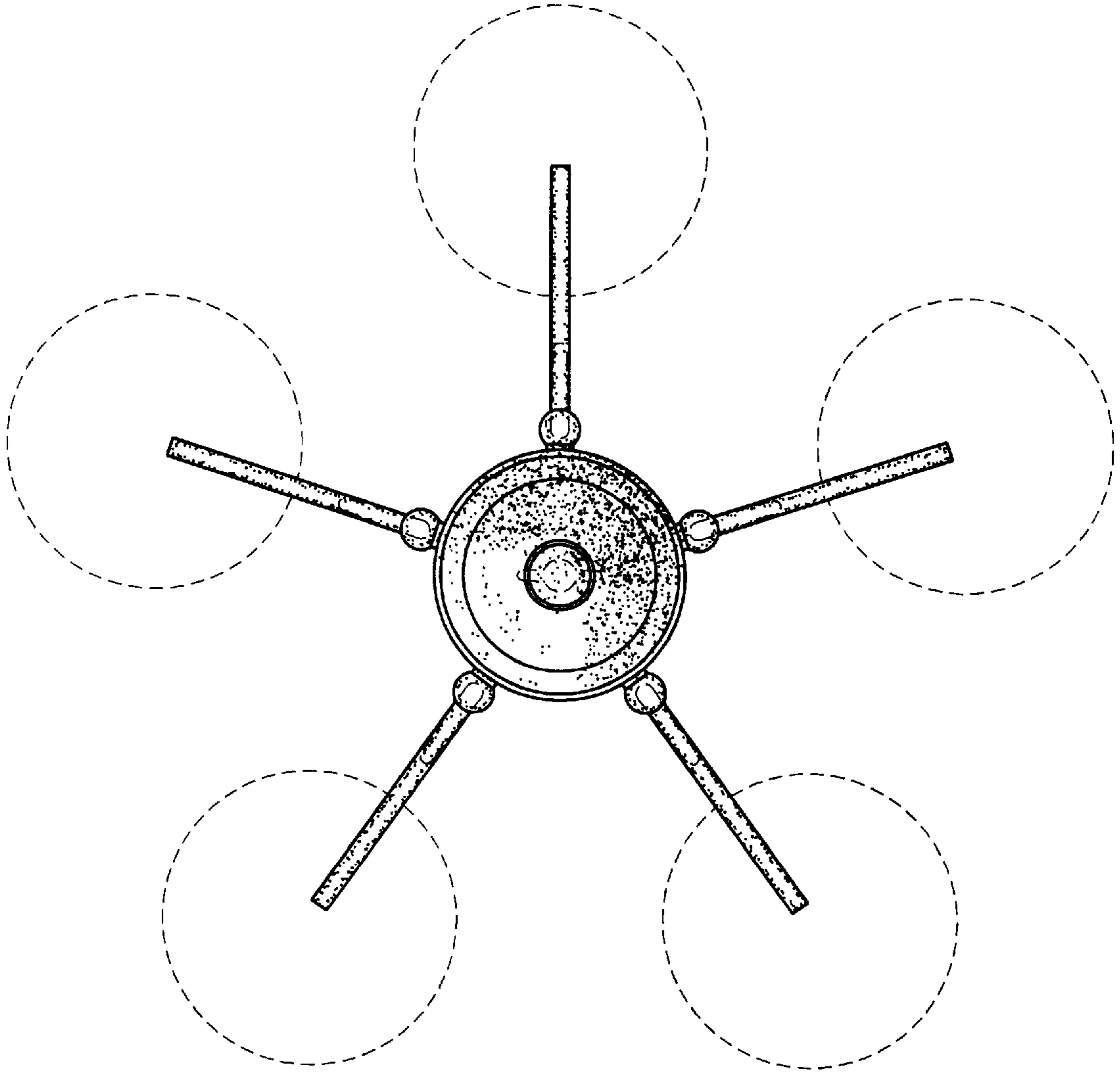


FIG. 3

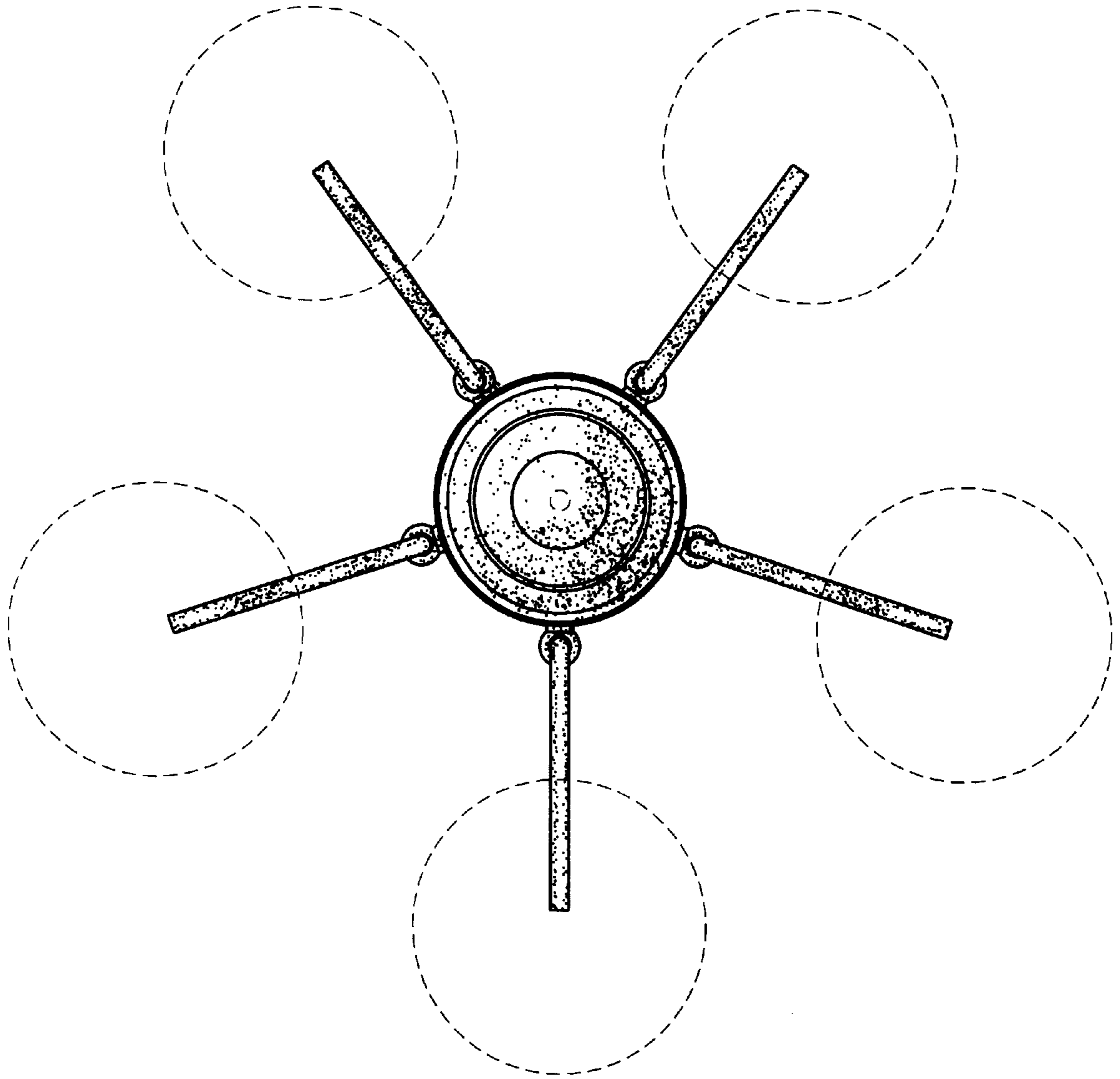


FIG. 4