



US00D433763S

# United States Patent [19]

Donato

[11] **Patent Number: Des. 433,763**

[45] **Date of Patent: \*\* Nov. 14, 2000**

[54] **MODULAR CONSTRUCTION FOR TRACK LIGHTING FIXTURE**

5,676,454 10/1997 De'Armond, Jr. .... 362/275  
5,765,793 6/1998 Ya ..... 362/413 X

[75] Inventor: **Anthony C. Donato**, Wellesley, Mass.

*Primary Examiner*—Susan J. Lucas  
*Attorney, Agent, or Firm*—Middleton Reutlinger; Jeffrey A. Haeberlin

[73] Assignee: **Genlyte Thomas Group LLC**,  
Louisville, Ky.

[\*\*] Term: **14 Years**

[57] **CLAIM**

[21] Appl. No.: **29/122,628**

I claim the ornamental design for a modular construction for track lighting fixture, as shown and described.

[22] Filed: **May 1, 2000**

**DESCRIPTION**

[51] **LOC (7) Cl.** ..... **26-05**

FIG. 1 is a front isometric view of the modular construction for track lighting fixture of the invention;

[52] **U.S. Cl.** ..... **D26/63; D26/118**

FIG. 2 is a rear isometric view of the modular construction for track lighting fixture of FIG. 1; and,

[58] **Field of Search** ..... D26/60-66, 118;  
362/269, 284, 271, 272, 275, 285, 288,  
281, 287, 418, 419, 427, 341, 347, 350,  
361

FIG. 3 is a bottom plan view of the modular construction for track lighting fixture of FIG. 1.

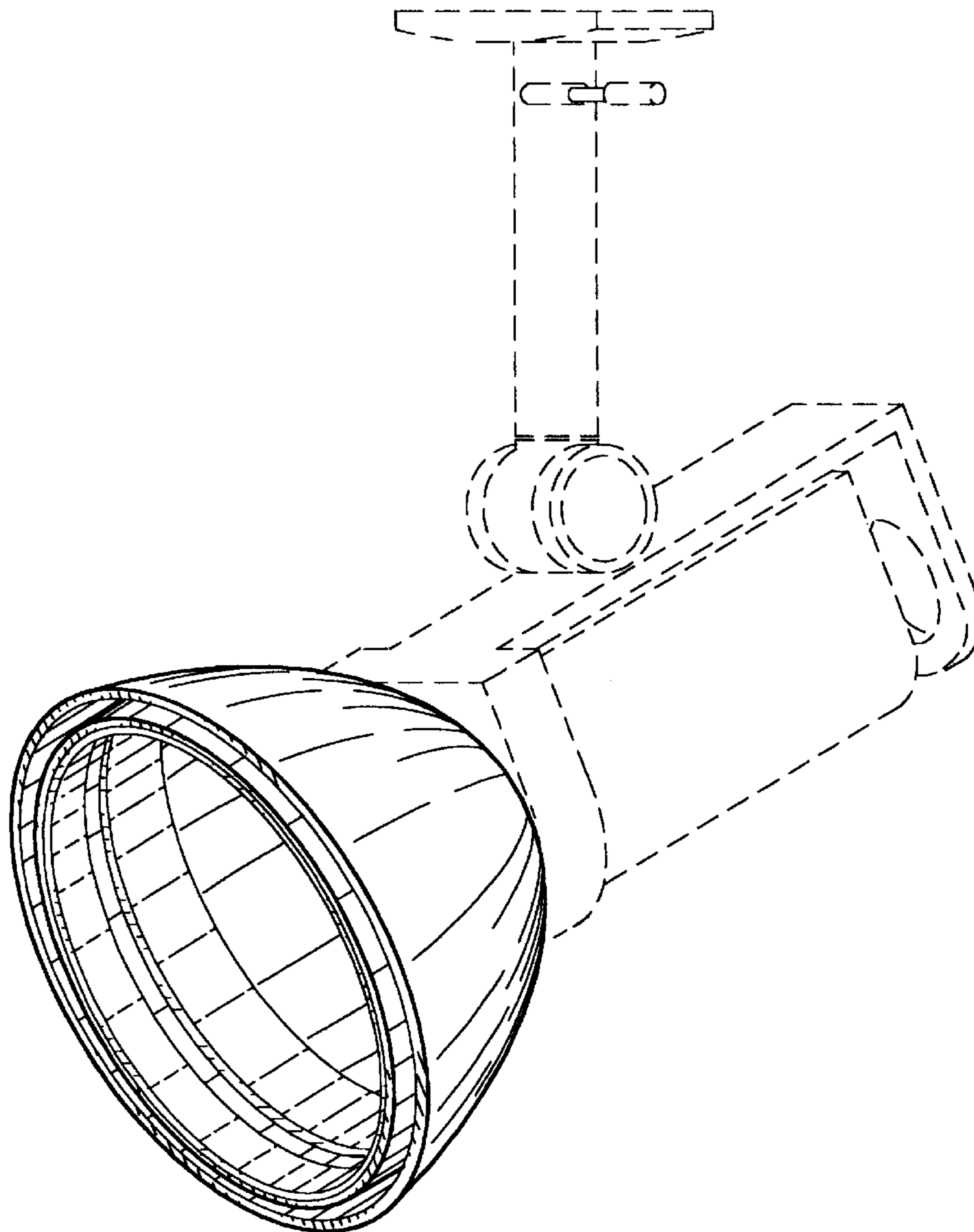
[56] **References Cited**

The broken lines shown in FIGS. 1-3 are for illustrative purposes only and form no part of the claimed design.

**U.S. PATENT DOCUMENTS**

D. 402,773 12/1998 Lo ..... D26/118 X

**1 Claim, 3 Drawing Sheets**



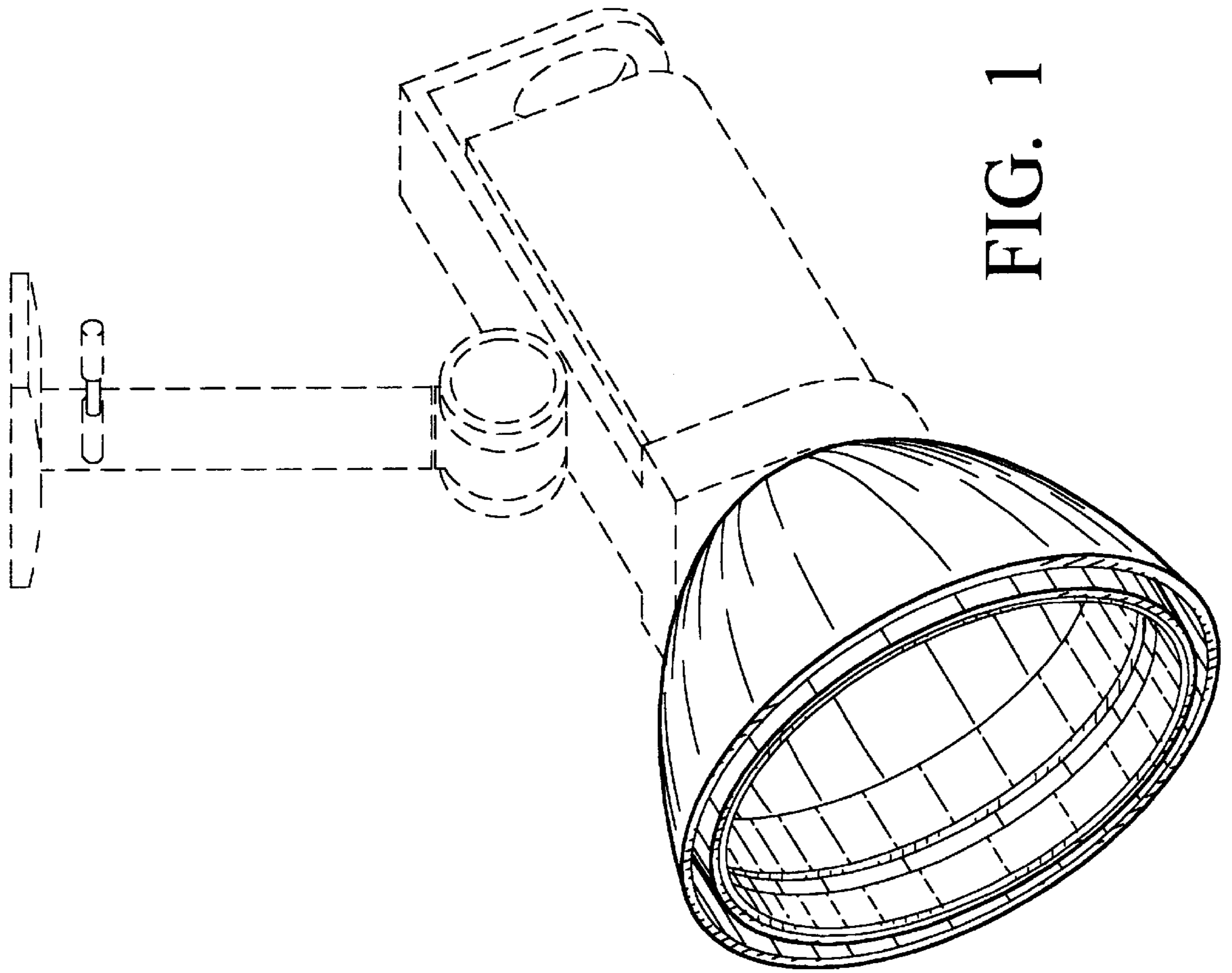


FIG. 1

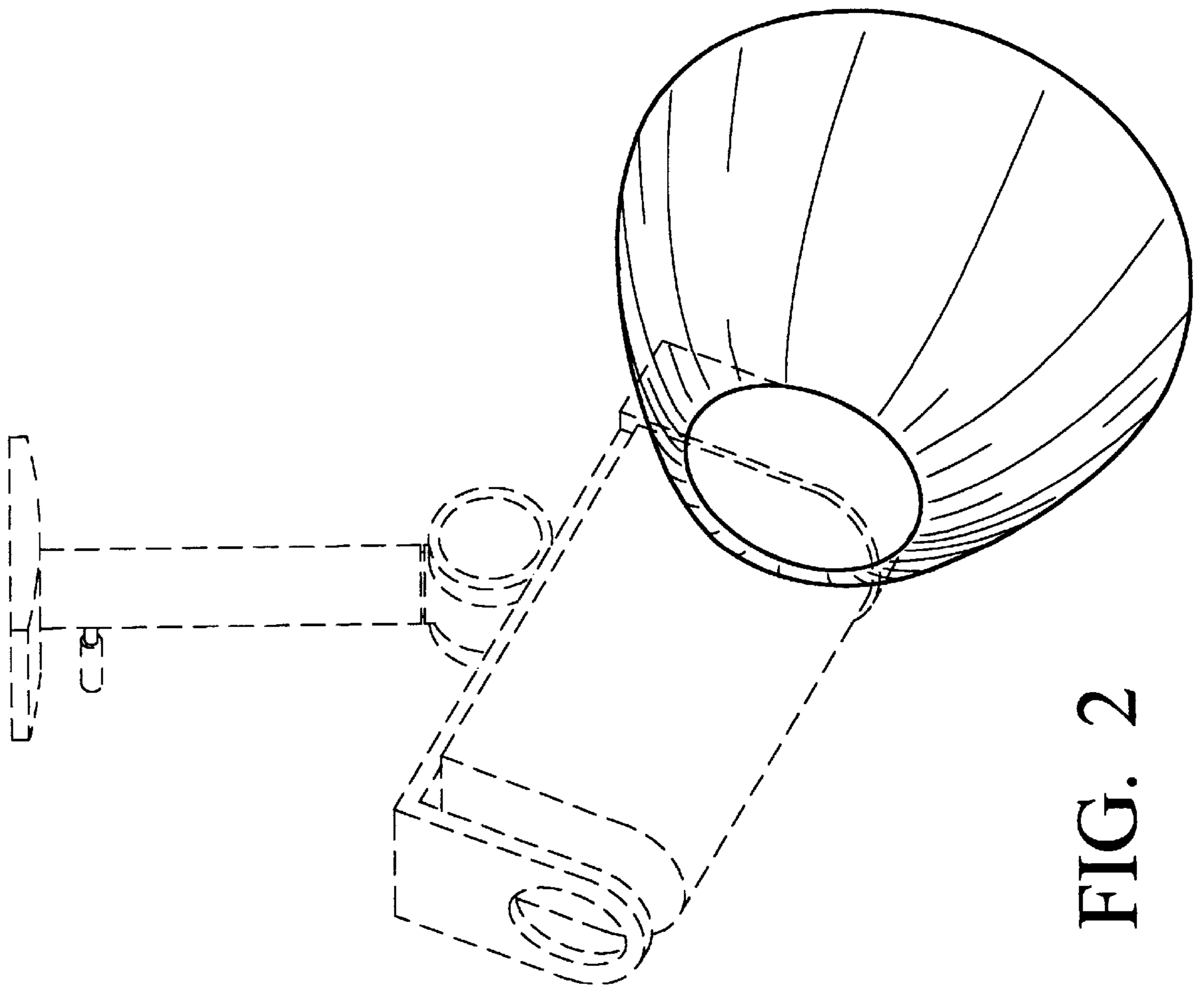


FIG. 2

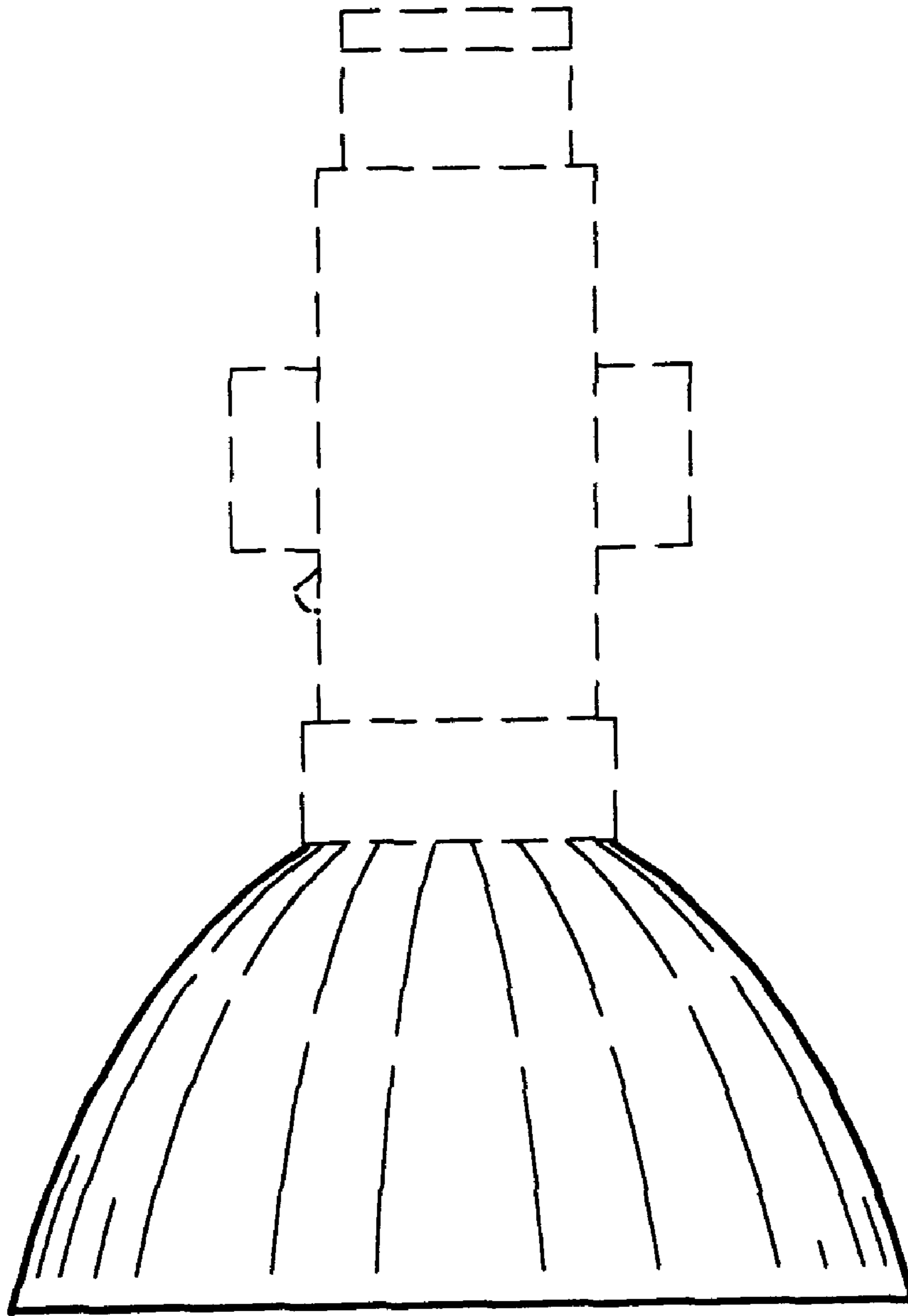


FIG. 3