



US00D433762S

United States Patent [19]
Yuen

[11] **Patent Number: Des. 433,762**
[45] **Date of Patent: ** Nov. 14, 2000**

[54] **LANTERN**

[75] **Inventor: John Se-Kit Yuen**, Kowloon, The Hong Kong Special Administrative Region of the People's Republic of China

[73] **Assignee: John Manufacturing Limited**, Kowloon, The Hong Kong Special Administrative Region of the People's Republic of China

[**] **Term: 14 Years**

[21] **Appl. No.: 29/118,816**

[22] **Filed: Feb. 16, 2000**

[30] **Foreign Application Priority Data**

Aug. 27, 1999 [GB] United Kingdom 2086278

[51] **LOC (7) Cl. 26-02**

[52] **U.S. Cl. D26/40**

[58] **Field of Search D26/37-50; 362/157, 362/158, 183-208**

[56] **References Cited**

U.S. PATENT DOCUMENTS

D. 296,010 5/1988 Wan D26/40
D. 421,660 3/2000 Shing D26/40

Primary Examiner—Marcus A. Jackson
Attorney, Agent, or Firm—Mattingly, Stanger & Malur, P.C.

[57] **CLAIM**

The ornamental design for a lantern, as shown and described.

DESCRIPTION

FIG. 1 is a front elevational view showing my new design; FIG. 2 is a rear elevational view thereof; FIG. 3 is a left side elevational view thereof; FIG. 4 is a right side elevational view thereof; FIG. 5 is a top plan view thereof; and, FIG. 6 is a underneath plan view thereof.

1 Claim, 3 Drawing Sheets

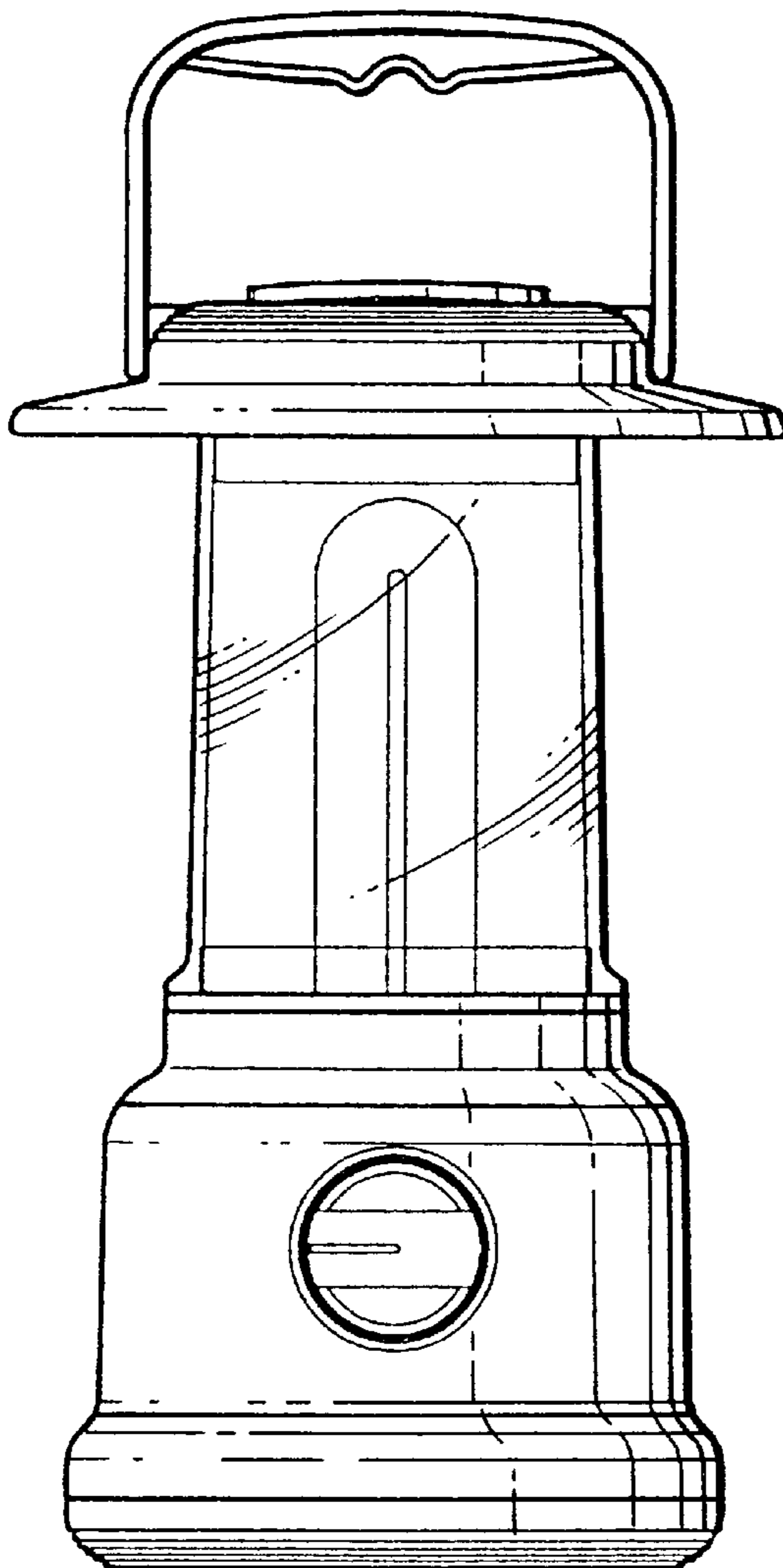


FIG. 1

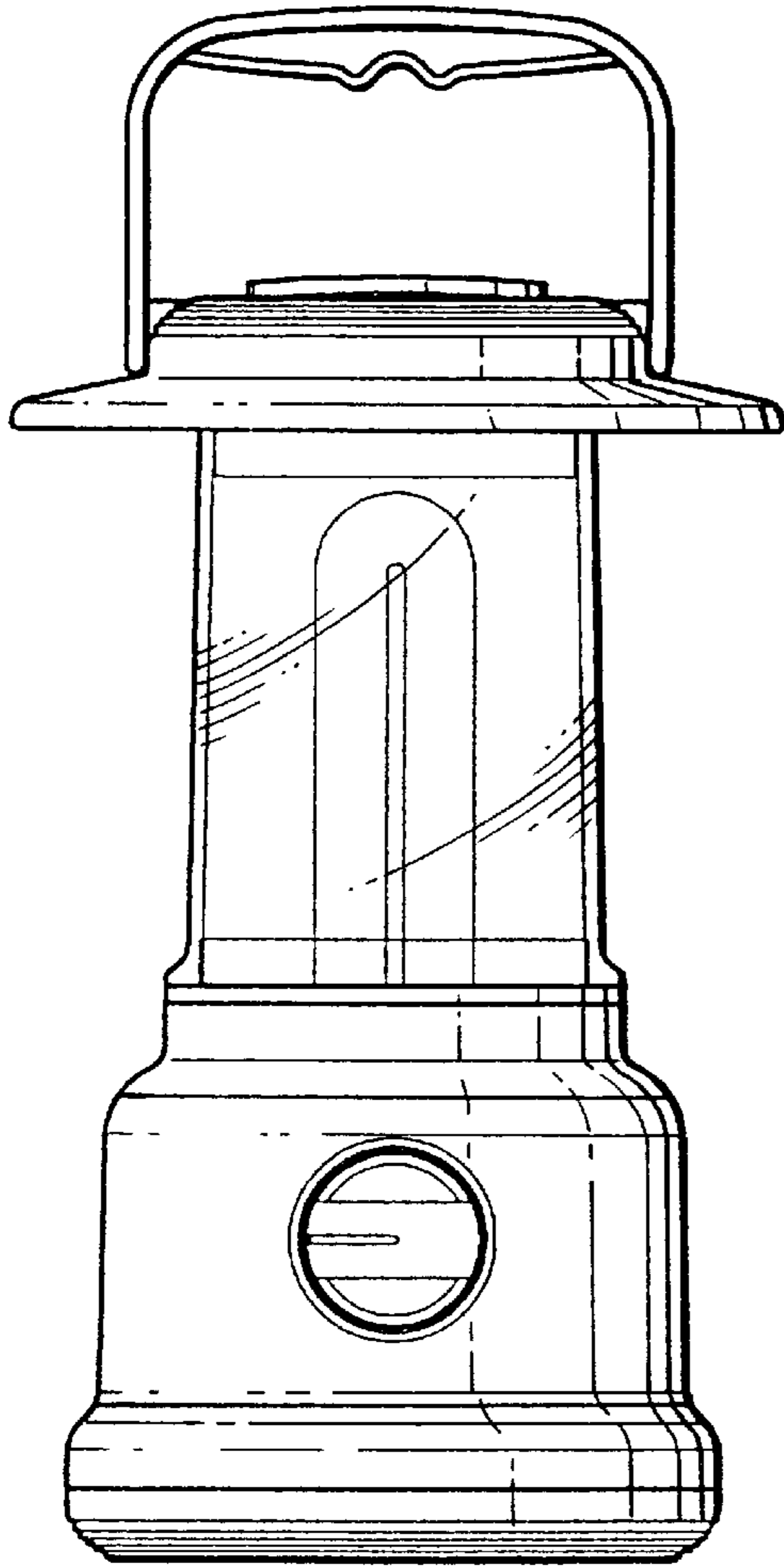


FIG. 2

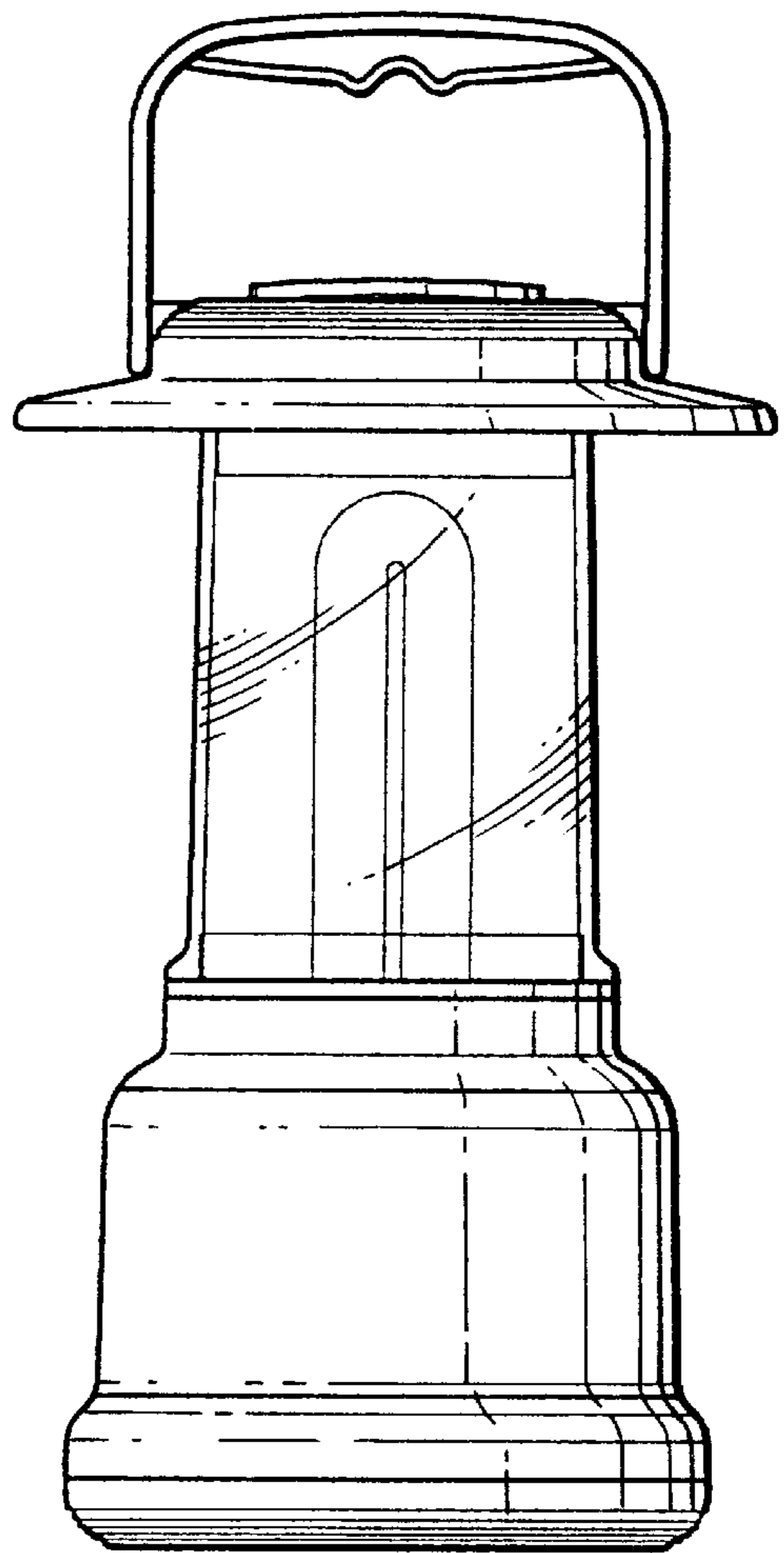


FIG. 3

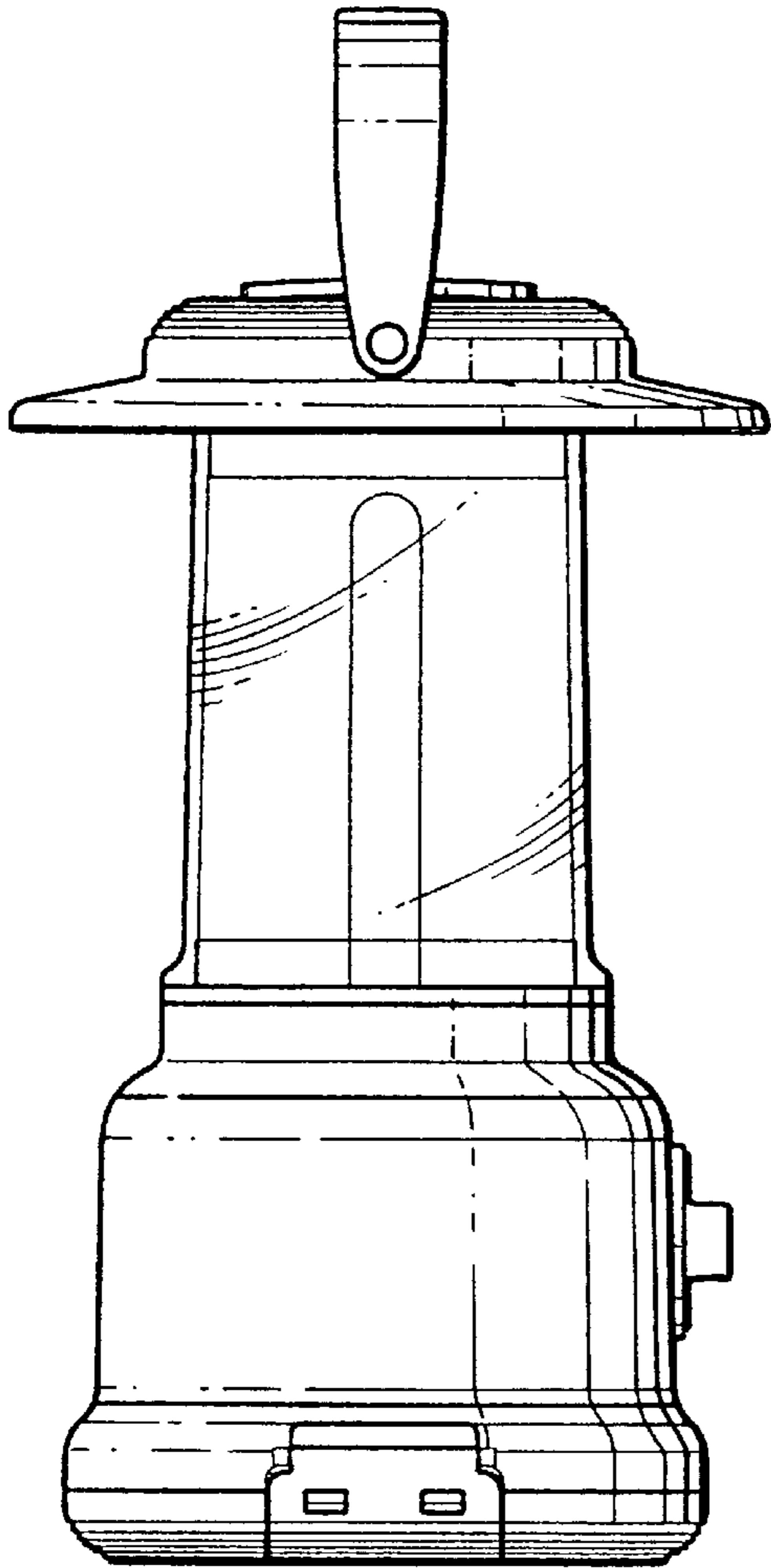


FIG. 4

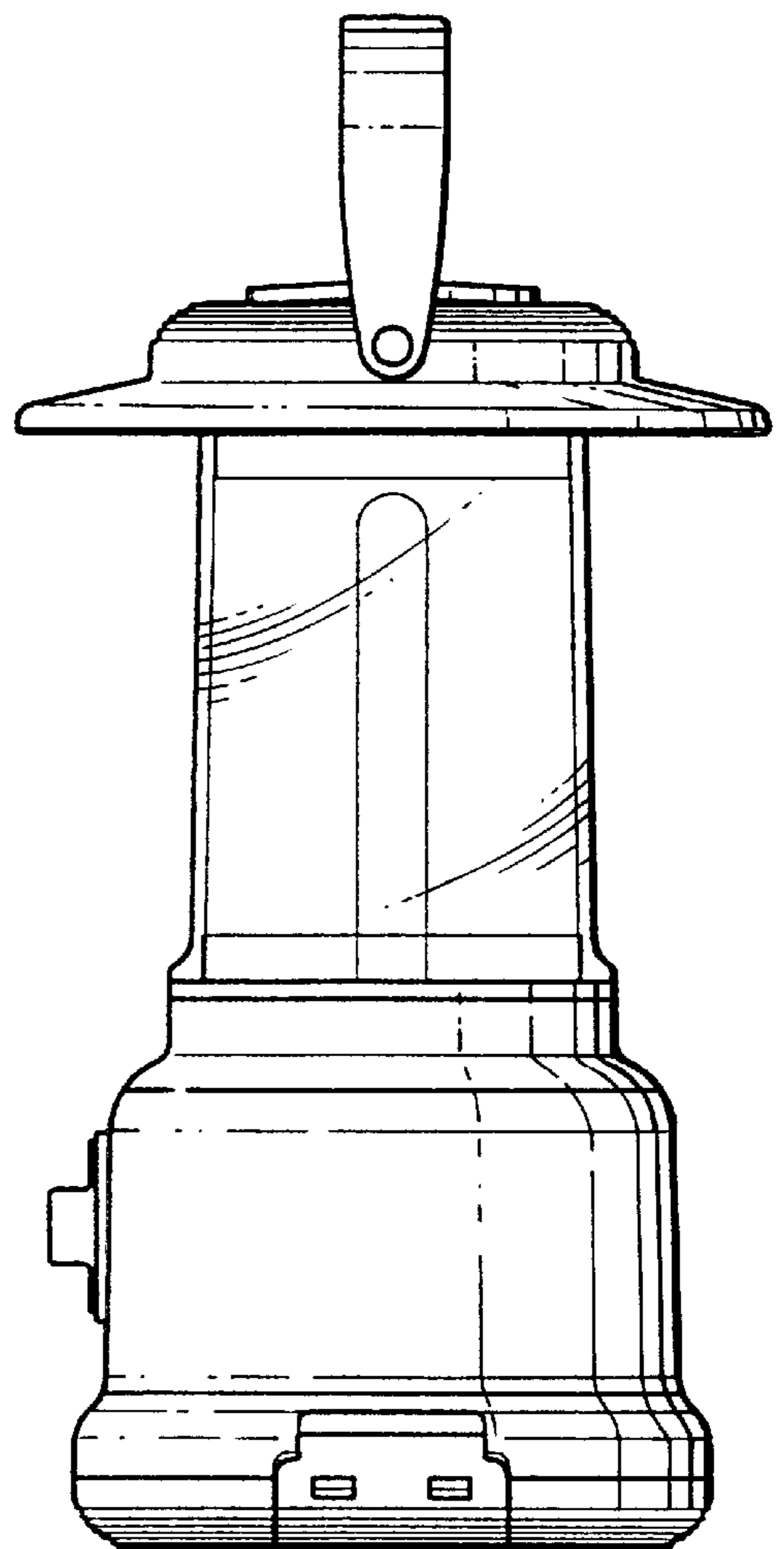


FIG. 5

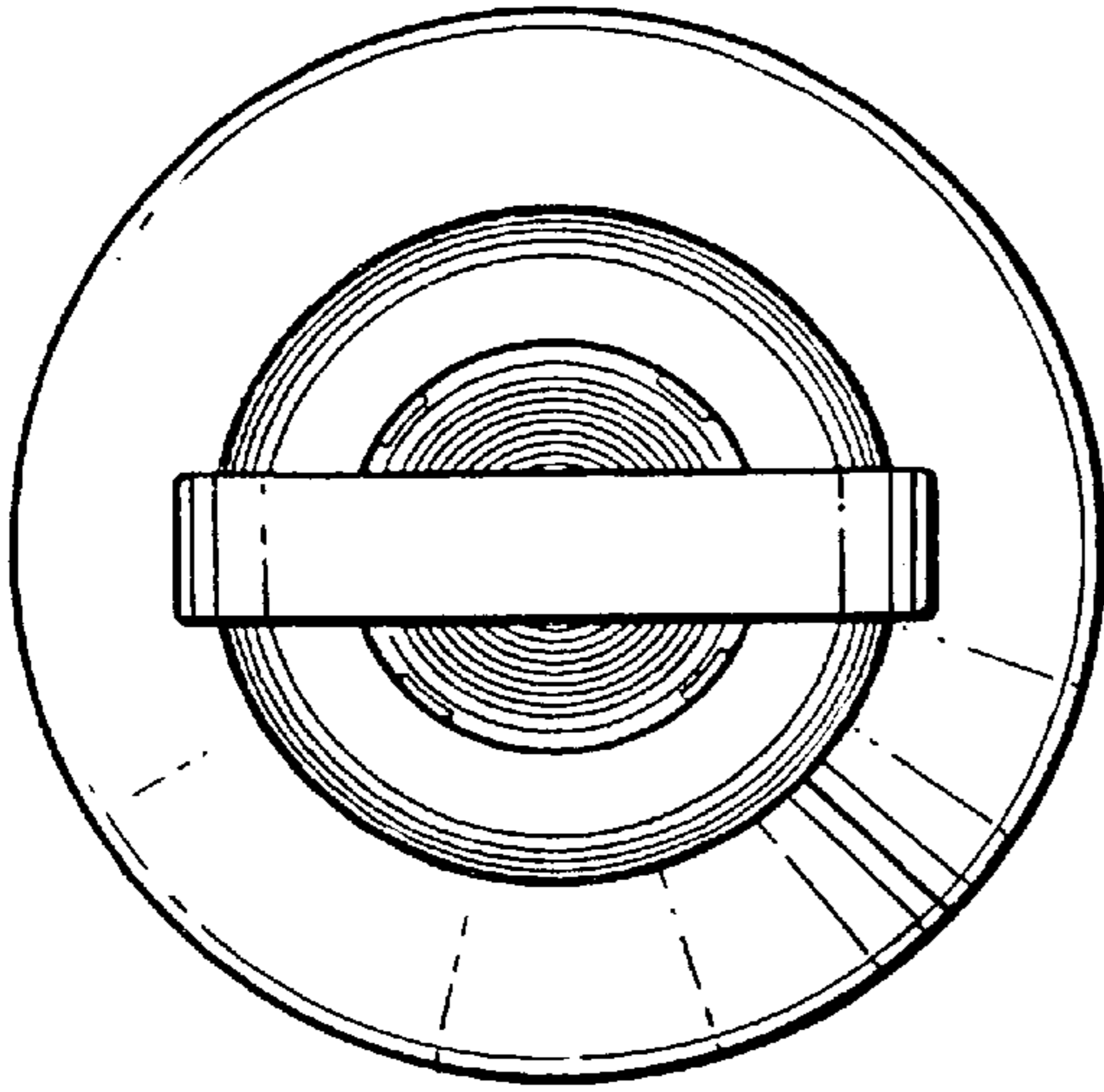


FIG. 6

