



US00D433753S

United States Patent [19]

Weiss

[11] **Patent Number: Des. 433,753**

[45] **Date of Patent: ** Nov. 14, 2000**

[54] **SUTURE BAND TIGHTENING DEVICE FOR CLOSING WOUNDS**

[75] Inventor: **Jerry Weiss**, Hertzelia, Israel

[73] Assignee: **Wisebands Ltd.**, Ra'Anana, Israel

[**] Term: **14 Years**

[21] Appl. No.: **29/111,217**

[22] Filed: **Sep. 24, 1999**

[51] **LOC (7) Cl.** **24-02**

[52] **U.S. Cl.** **D24/145; D24/133**

[58] **Field of Search** **D24/145; 606/213, 606/216, 215, 218, 233**

[56] **References Cited**

U.S. PATENT DOCUMENTS

D. 352,356	11/1994	Hirshowitz et al.	D24/145
D. 360,463	7/1995	Steiner et al.	D24/145
4,667,675	5/1987	Davis	606/233
5,611,794	3/1997	Sauer et al.	606/213

5,759,193 6/1998 Burbank et al. 606/213

Primary Examiner—Ian Simmons
Attorney, Agent, or Firm—Lowe Hauptman Gopstein Gilman & Berner

[57] **CLAIM**

A new original design for a suture band tightening device for closing wounds, as shown and described in the attached drawings.

DESCRIPTION

FIG. 1 is a perspective view of my new design; FIG. 2 is a front view of my new design; FIG. 3 is a rear view of my new design; FIG. 4 is a left side view of my new design; FIG. 5 is a right side view of my new design; FIG. 6 is a top view of my new design; FIG. 7 is a bottom view of my new design; and, FIG. 8 is a rear perspective view of my new design with a handle in a raised elevated position.

1 Claim, 4 Drawing Sheets

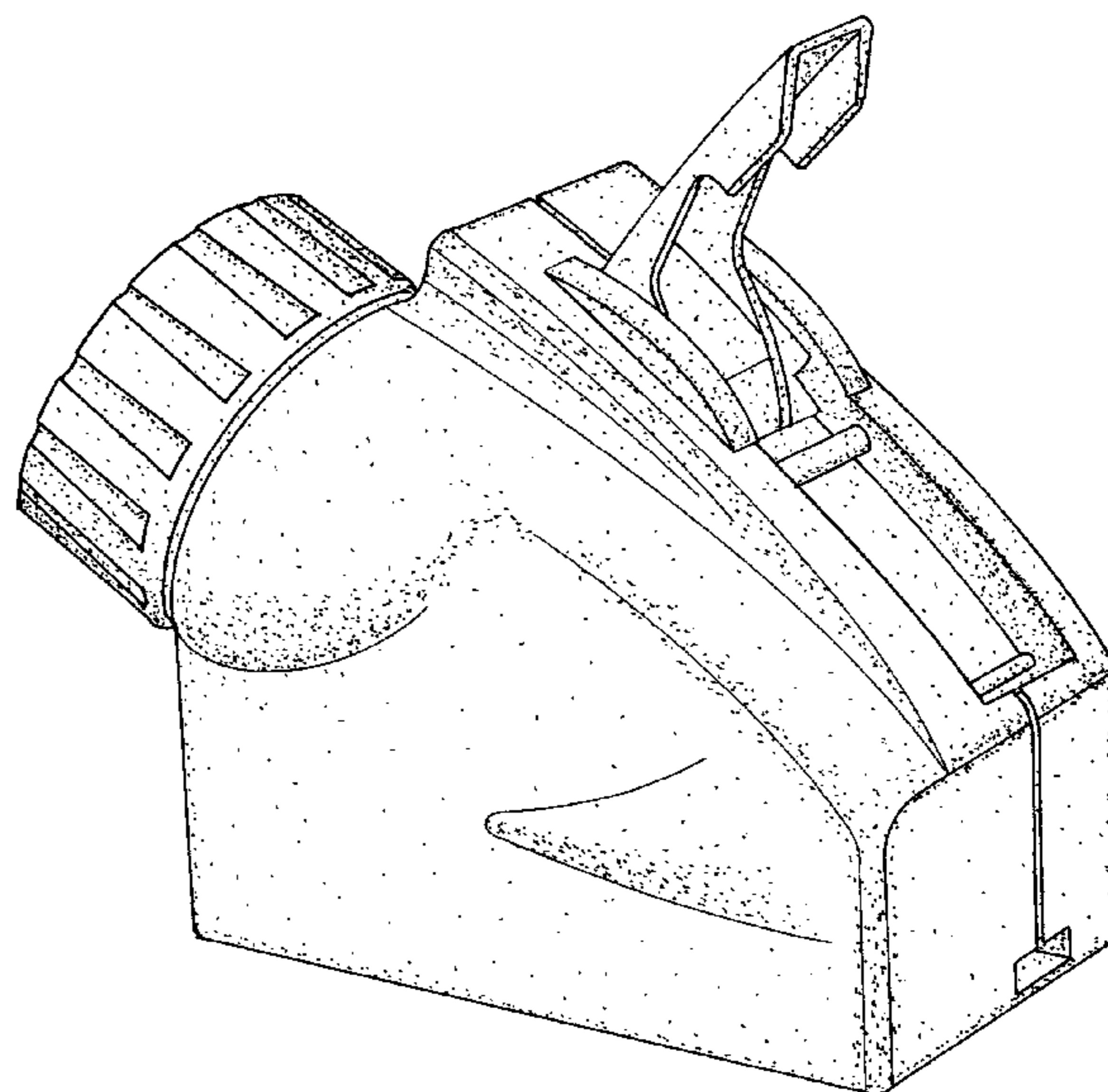
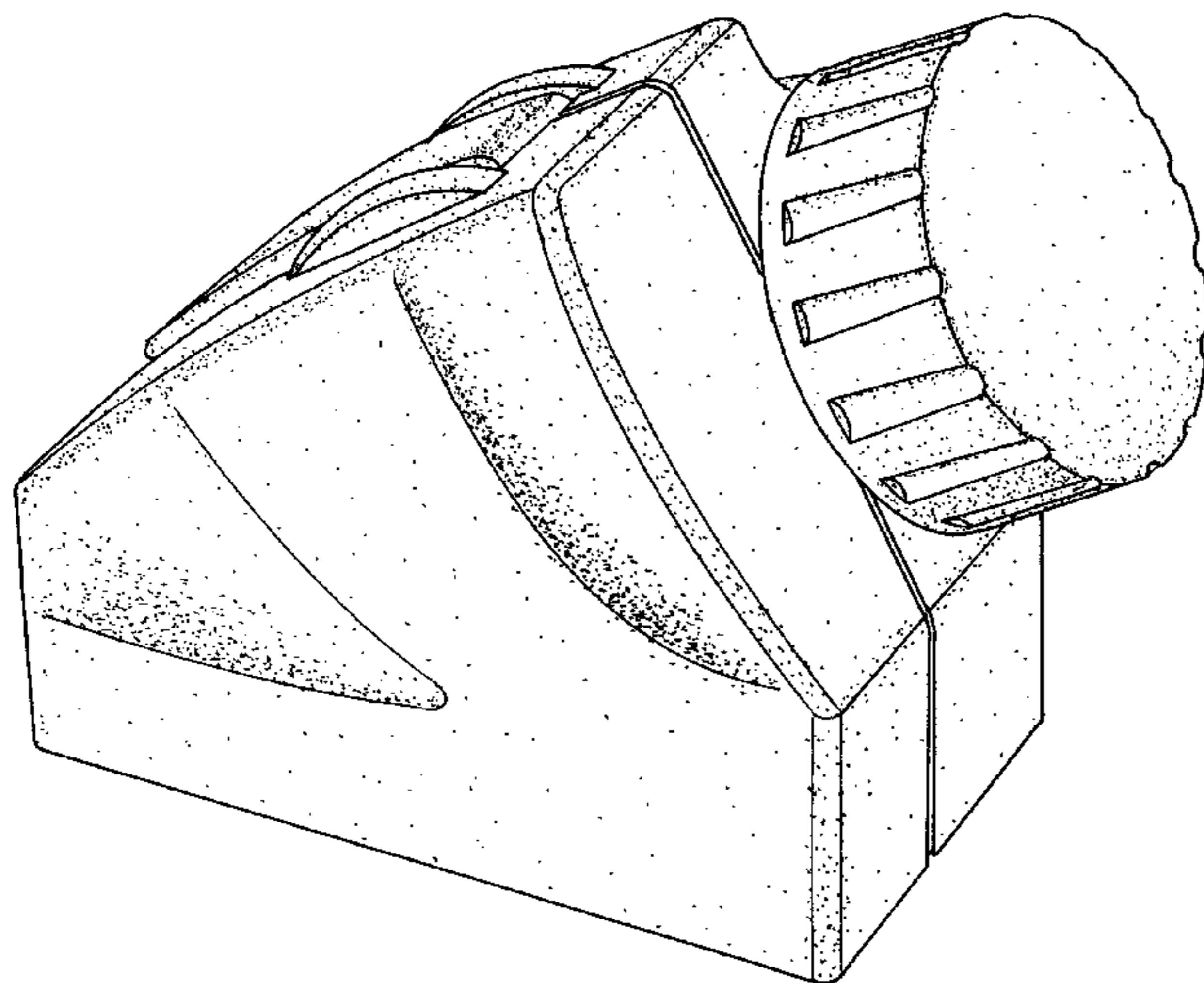


FIG. 1

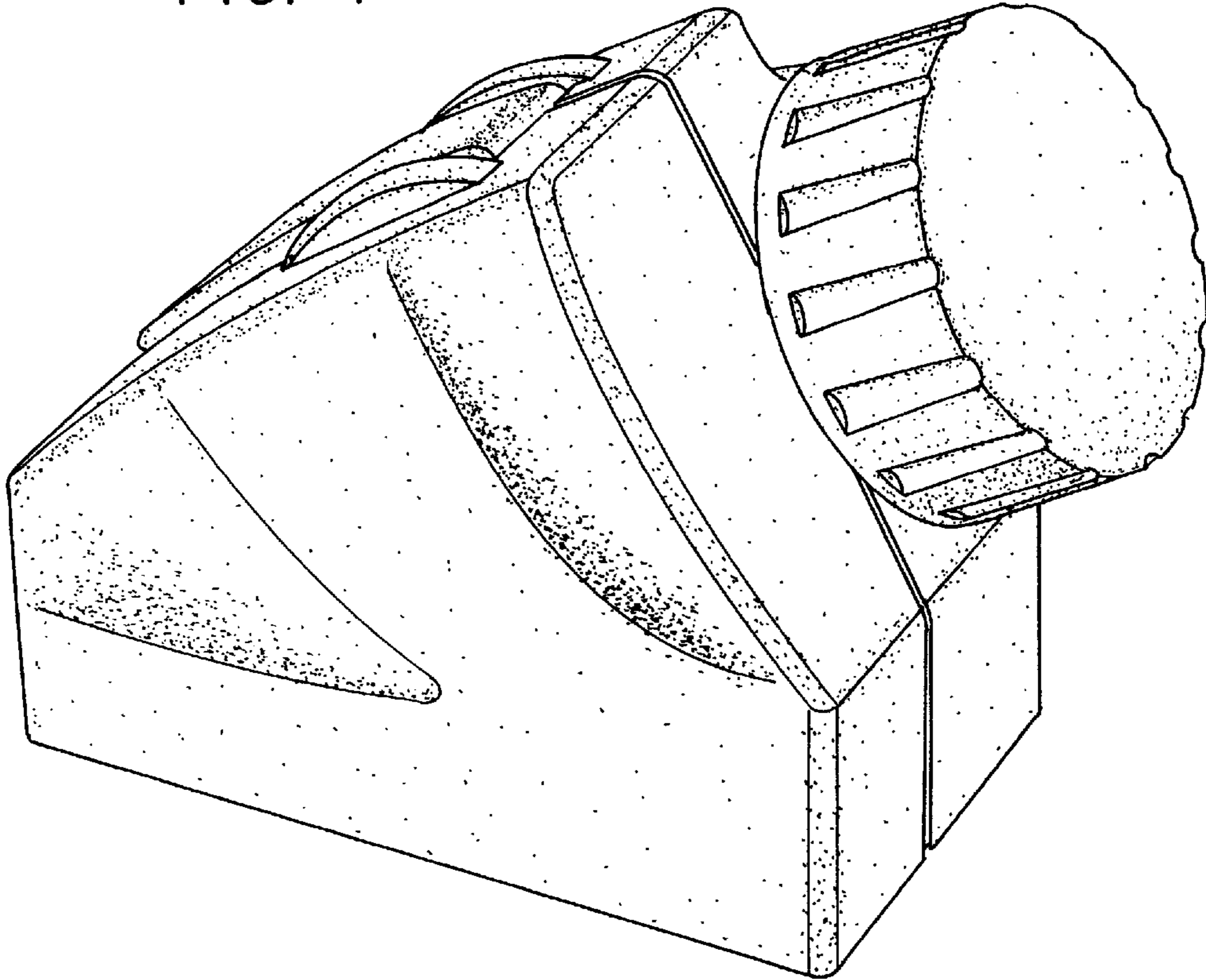


FIG. 2

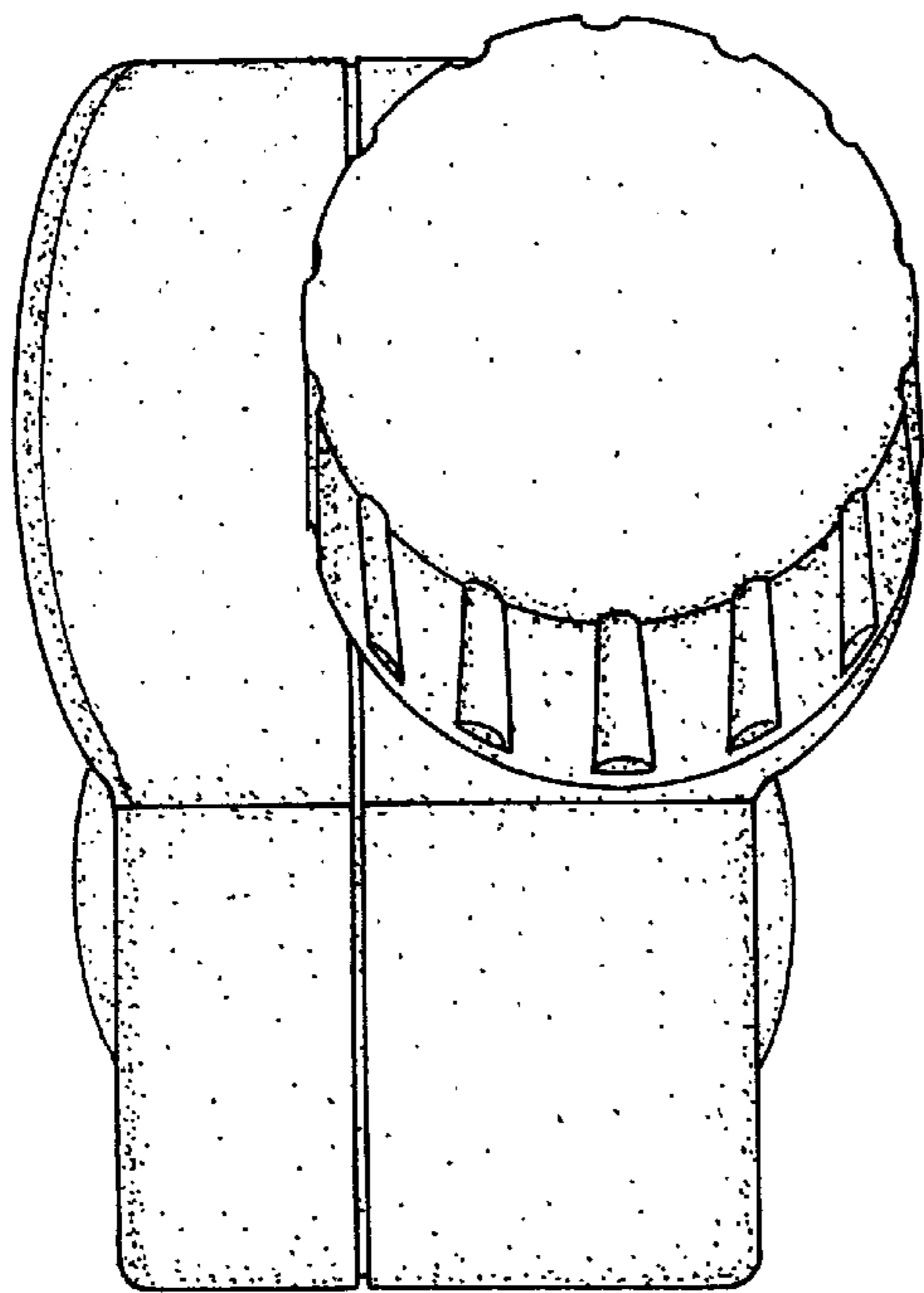


FIG. 3

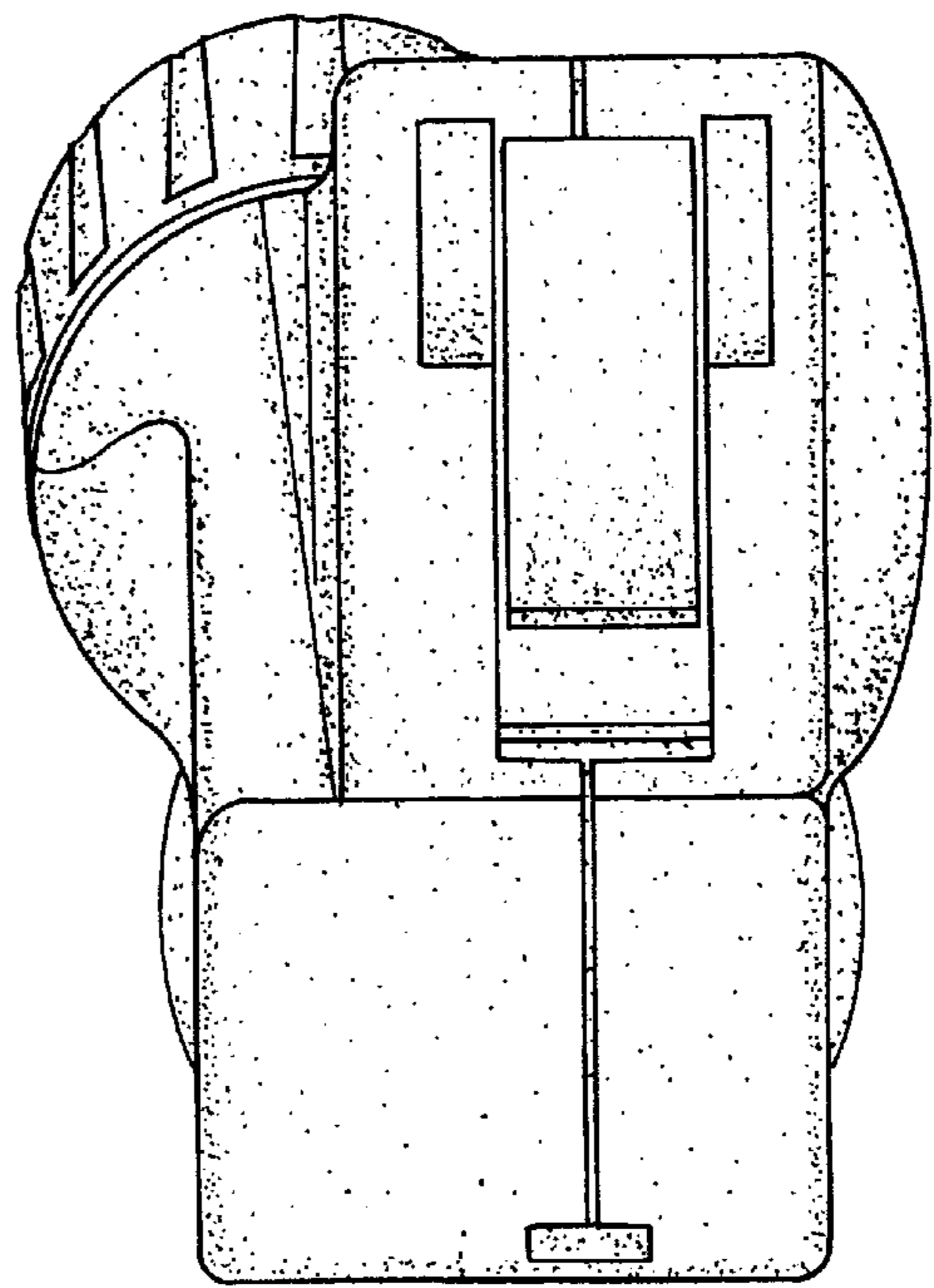


FIG. 4

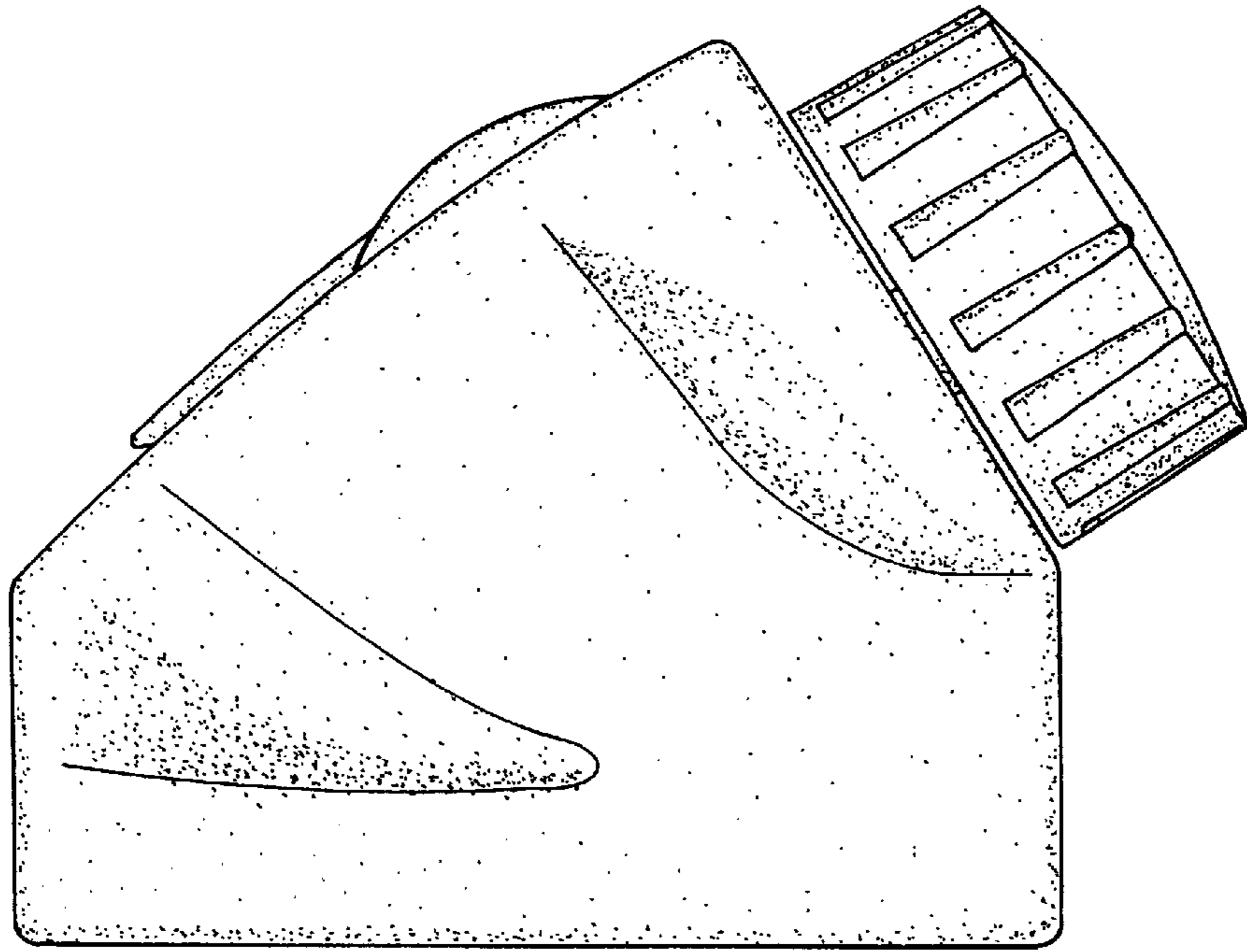


FIG. 5

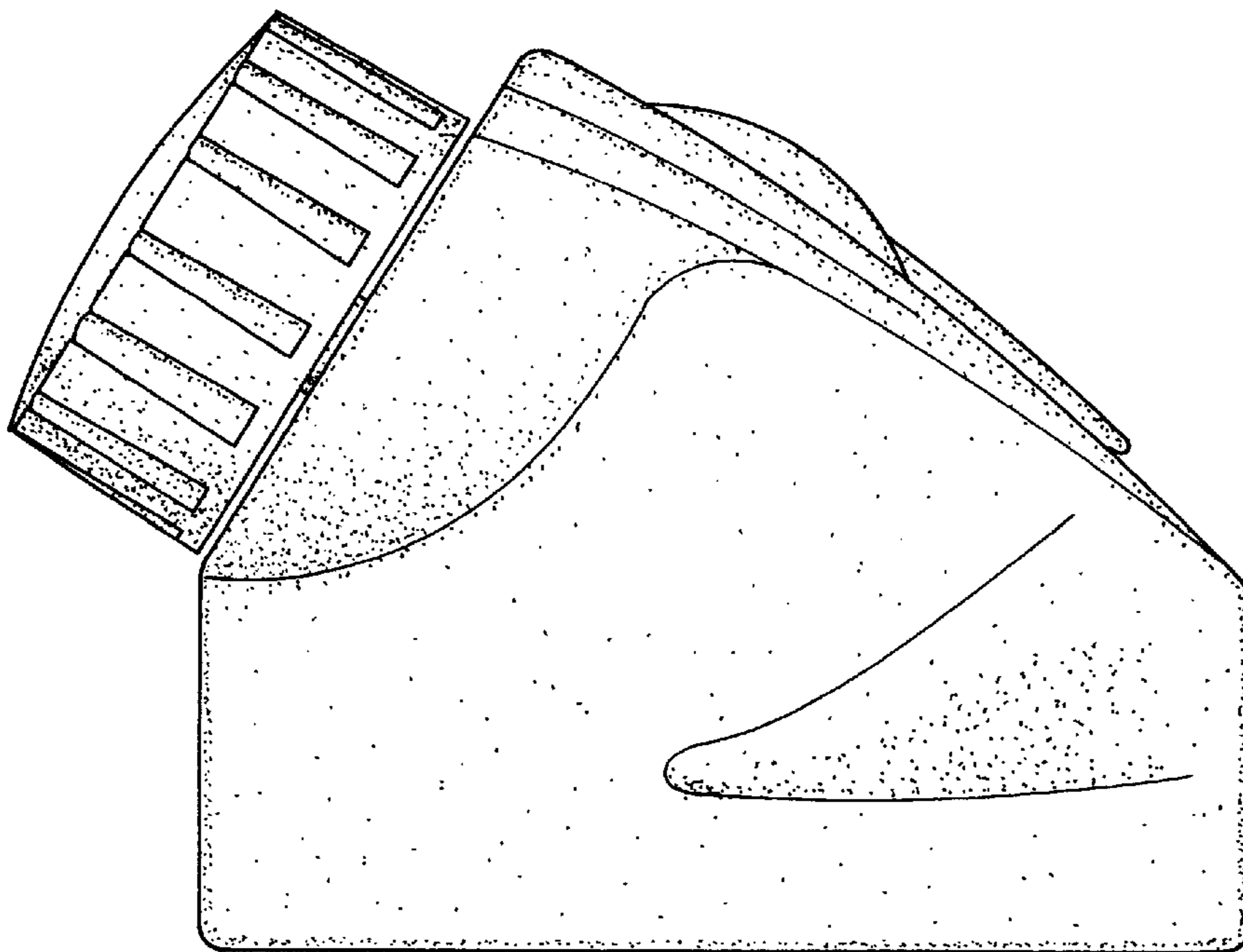


FIG. 6

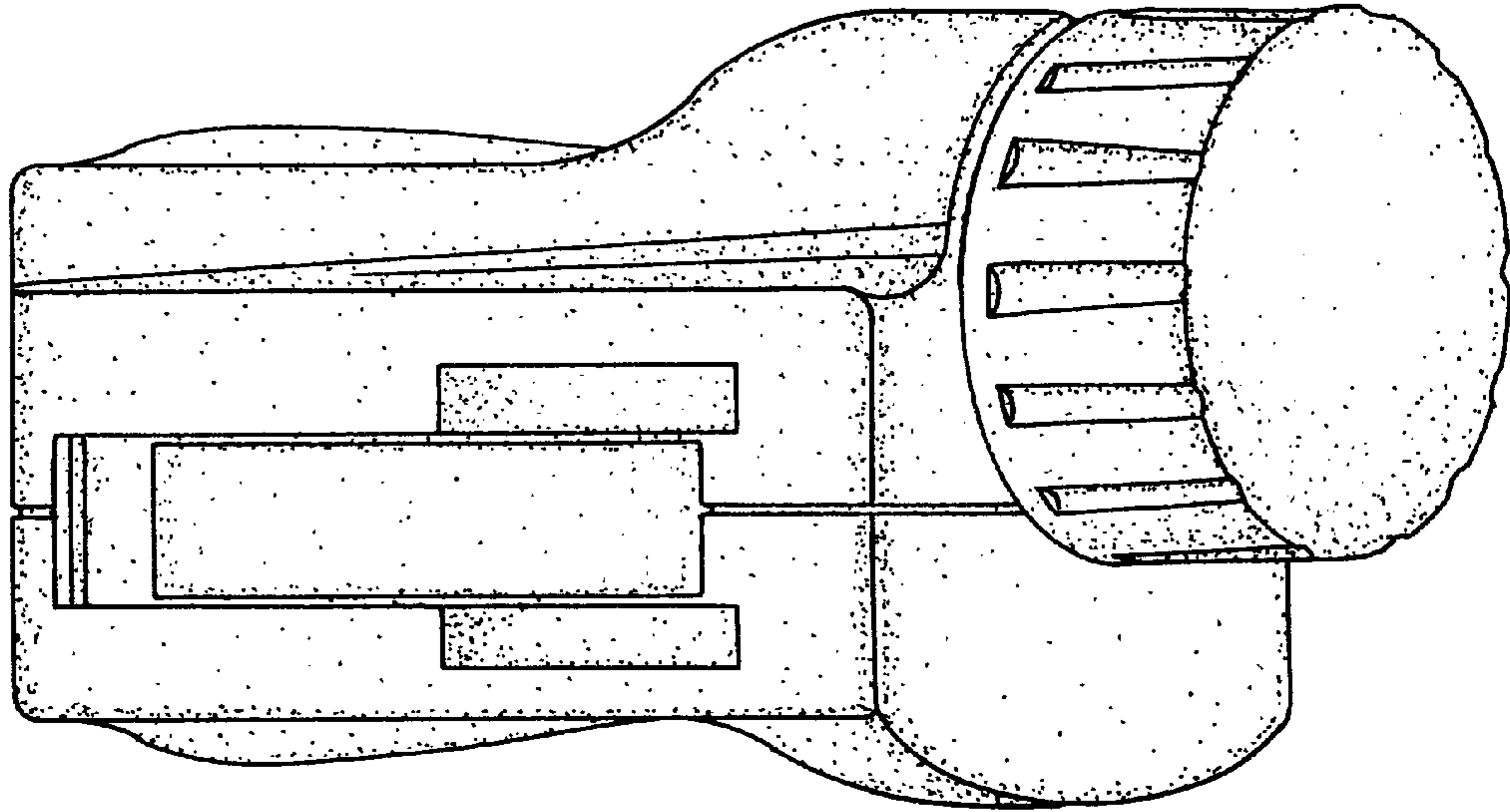


FIG. 7

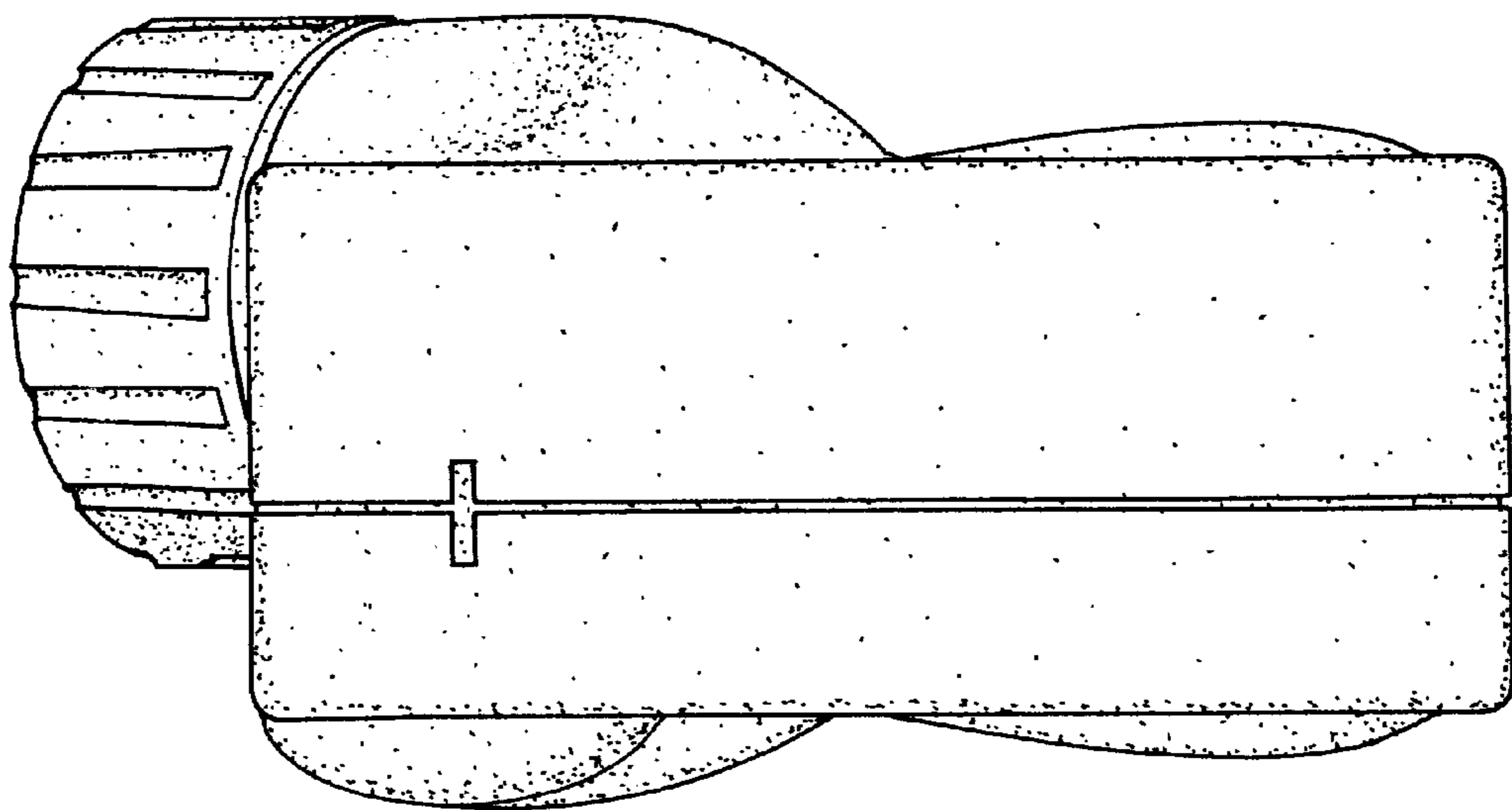


FIG. 8

