



US00D433752S

**United States Patent** [19]  
**Saravia**

[11] **Patent Number: Des. 433,752**

[45] **Date of Patent: \*\* Nov. 14, 2000**

[54] **HANDPIECE FOR AN ELECTROSURGICAL TOOL**

[75] Inventor: **Heber Saravia**, San Francisco, Calif.

[73] Assignee: **Stryker Corporation**, Kalamazoo, Mich.

[\*\*] Term: **14 Years**

[21] Appl. No.: **29/107,166**

[22] Filed: **Jun. 29, 1999**

[51] **LOC (7) Cl.** ..... **24-02**

[52] **U.S. Cl.** ..... **D24/144**

[58] **Field of Search** ..... D24/144, 170;  
606/43, 44, 42, 37, 46, 45, 40, 50, 49,  
35

[56] **References Cited**

**U.S. PATENT DOCUMENTS**

D. 288,359	2/1987	Hoff	.....	D24/144
D. 320,856	10/1991	Scheller	.....	D24/144
D. 370,731	6/1996	Corace et al.	.....	D24/144
4,418,692	12/1983	Guay	.	
4,562,838	1/1986	Walker	.	
4,593,691	6/1986	Lindstrom et al.	.	
4,711,238	12/1987	Cunningham	.	
4,931,047	6/1990	Broadwin et al.	.	
4,932,952	6/1990	Wojciechowicz, Jr.	.	

5,282,799	2/1994	Rydell	.	
5,413,575	5/1995	Haenggi	.	
5,542,916	8/1996	Hirsch et al.	.	
5,554,110	9/1996	Edwards et al.	.	
5,683,366	11/1997	Eggers et al.	.	
5,800,431	9/1998	Brown	.....	606/42

*Primary Examiner*—Ian Simmons  
*Attorney, Agent, or Firm*—Flynn, Thiel, Boutell & Tanis, P.C.

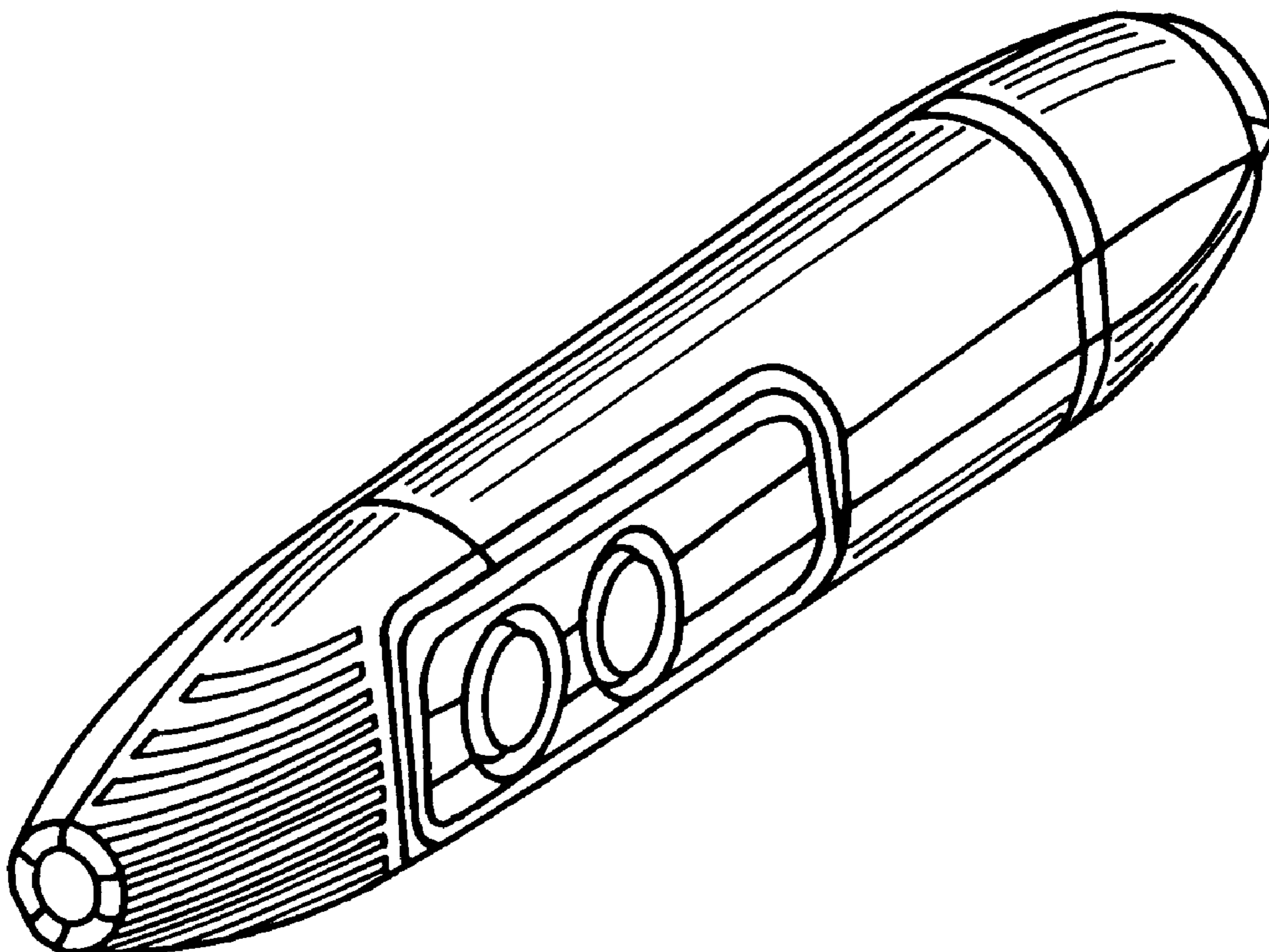
[57] **CLAIM**

The ornamental design for a handpiece for an electrosurgical tool, as shown and described.

**DESCRIPTION**

FIG. 1 is a perspective front view of the handpiece for an electrosurgical tool of my design;  
FIG. 2 is a right side view of a handpiece of my design;  
FIG. 3 is a left side of the handpiece of my design;  
FIG. 4 is a top view of the handpiece of my design;  
FIG. 5 is a bottom view of the handpiece of my design;  
FIG. 6 is a front view of the handpiece of my design;  
FIG. 7 is a rear view of the handpiece of my design; and,  
FIG. 8 is a perspective view of the handpiece of my design showing how a shaft, depicting in phantom, extends out of the front of the handpiece, the shaft forming no part of the design and being shown merely to illustrate the environment in which the handpiece is employed.

**1 Claim, 3 Drawing Sheets**



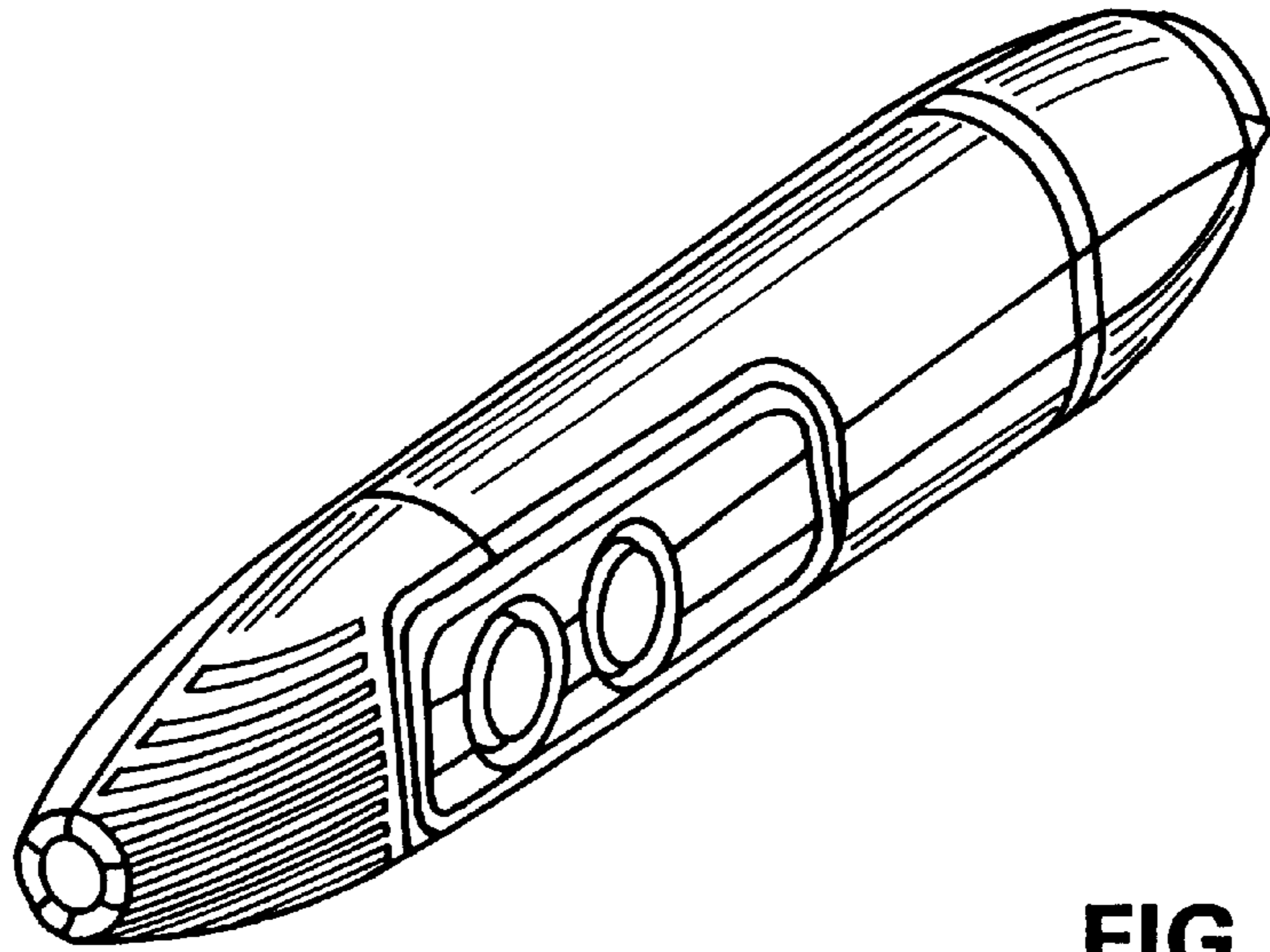


FIG. 1

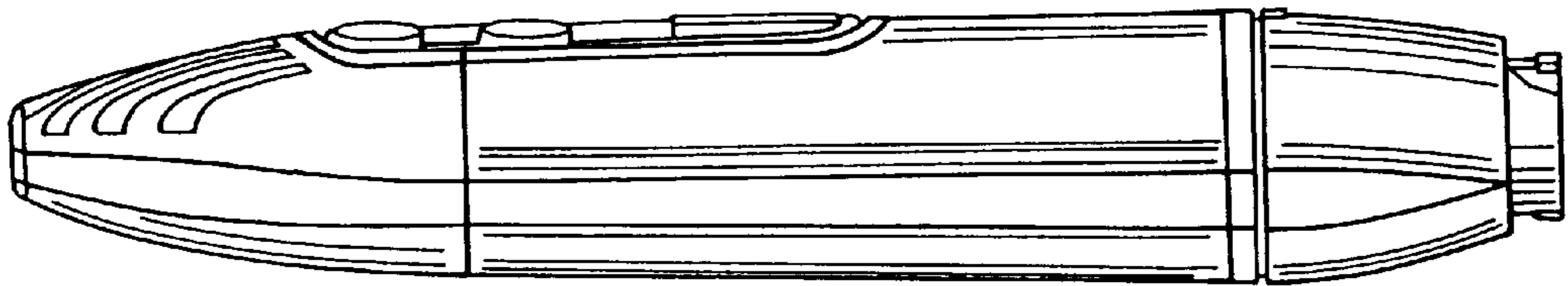


FIG. 2

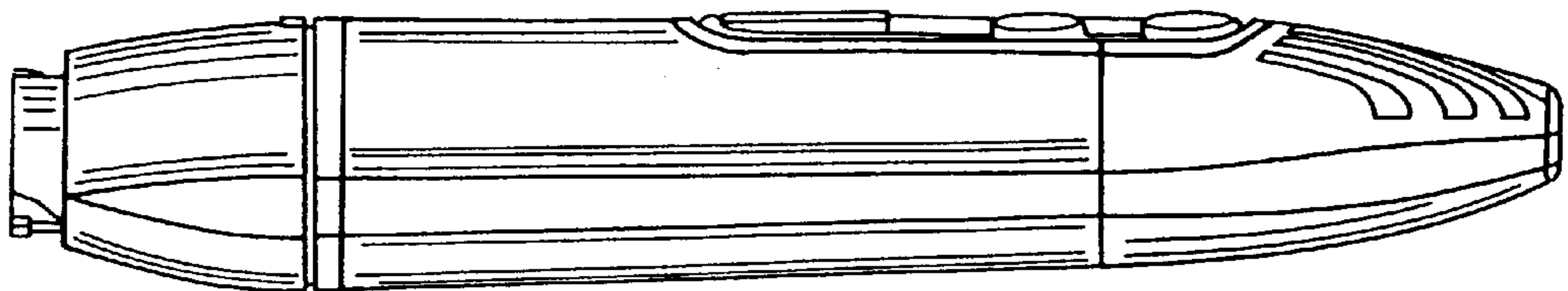


FIG. 3

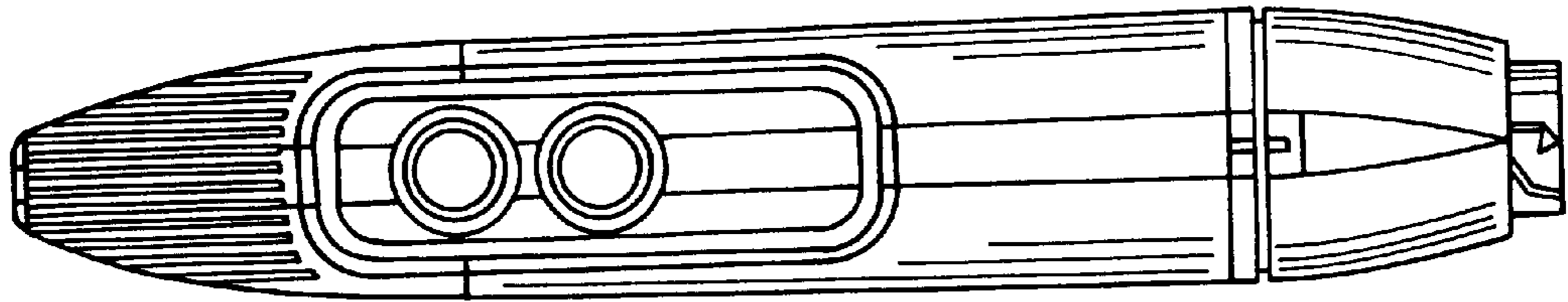


FIG. 4

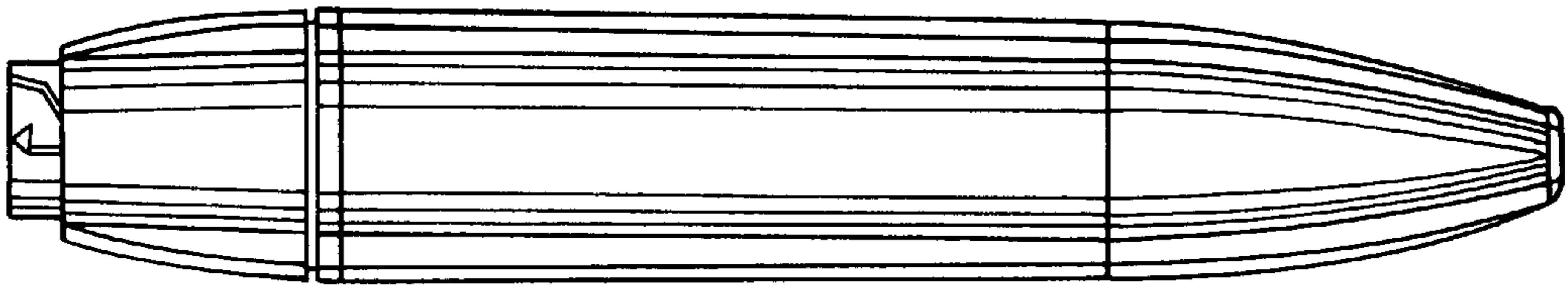


FIG. 5

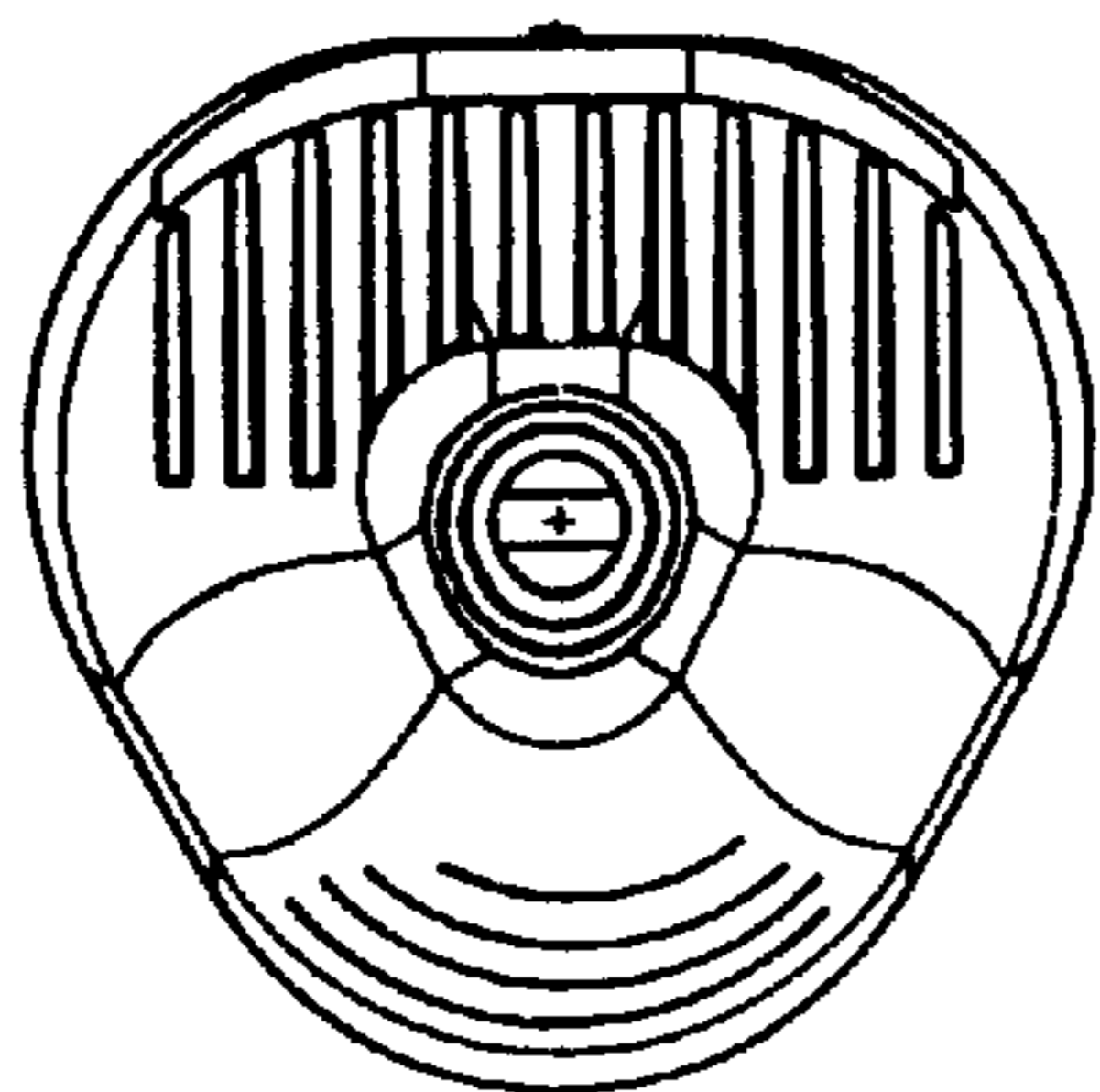


FIG. 6

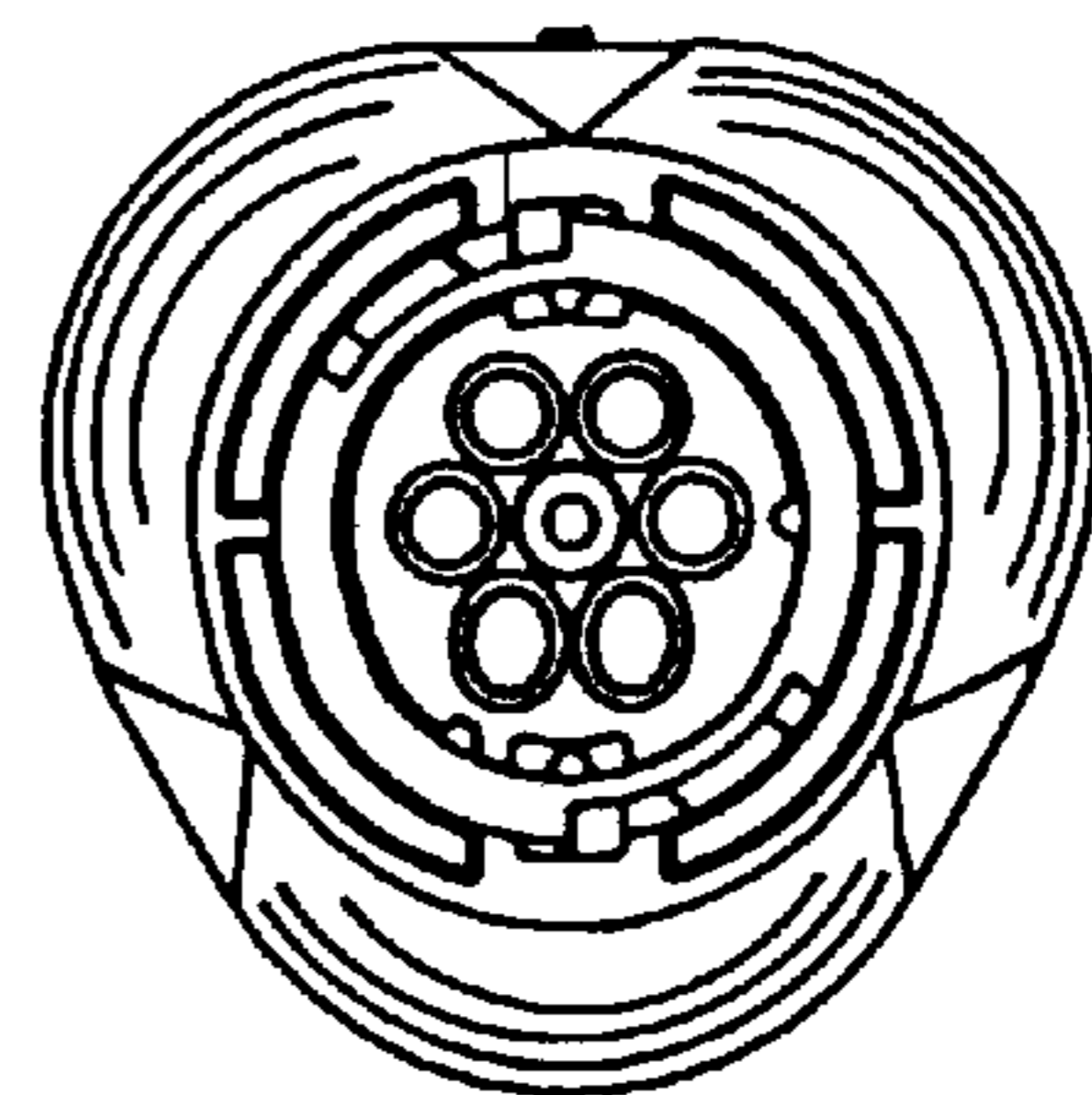
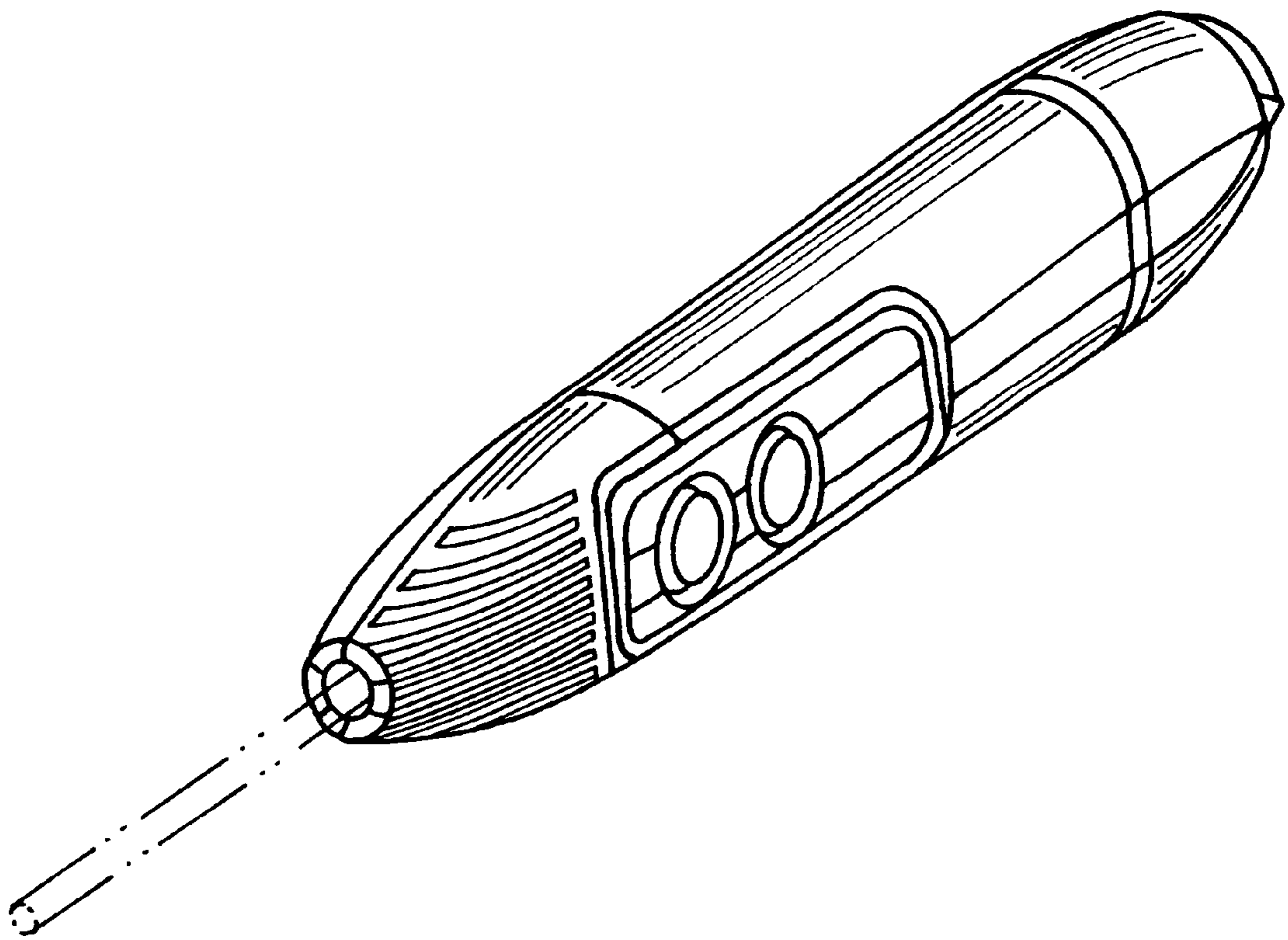


FIG. 7



**FIG. 8**