



US00D433751S

United States Patent [19]

[11] Patent Number: **Des. 433,751**

Reischel et al.

[45] Date of Patent: **** *Nov. 14, 2000**

[54] CAP

D. 414,861	10/1999	Metzger	D24/110
1,440,989	1/1923	Hammer	215/339
3,123,241	3/1964	Nofer et al.	215/337 X
5,022,394	6/1991	Chmielinski	128/207.14
5,535,736	7/1996	Jzaw	128/202.26
5,647,356	7/1997	Osendorf et al.	128/206.17

[75] Inventors: **Joseph G. Reischel**, Woodbury;
Kenneth W. Jensen, Minneapolis;
Robert J. Mattila, Jordan, all of Minn.;
Gary A. Baribeau, Hudson, Wis.;
Michael J. Bartholomew, Lake Elmo,
Minn.

Primary Examiner—Ian Simmons
Attorney, Agent, or Firm—Karl G. Hanson

[73] Assignee: **3M Innovative Properties Company**,
St. Paul, Minn.

[57] CLAIM

[*] Notice: This patent is subject to a terminal disclaimer.

The ornamental design for a cap, as shown and described.

[**] Term: **14 Years**

DESCRIPTION

[21] Appl. No.: **29/090,945**

FIG. 1 is a top perspective view of a first embodiment of a cap, showing the new design.

[22] Filed: **Jul. 20, 1998**

FIG. 2 is a top view thereof.

[51] LOC (7) Cl. **29-02**

[52] U.S. Cl. **D24/110**

[58] Field of Search D24/110, 110.1–110.5;
128/206.15, 206.17, 207.16, 206.12, 206.13,
205.25, 201.28, 206.21; D9/435; 215/200,
277, 317, 318, 337, 339

FIG. 3 is a bottom view thereof.

FIG. 4 is a front view thereof. The rear elevational view is the same as the front elevational view; and,

FIG. 5 is a perspective view of the bottom of the cap in an inverted position relative to FIGS. 1–4.

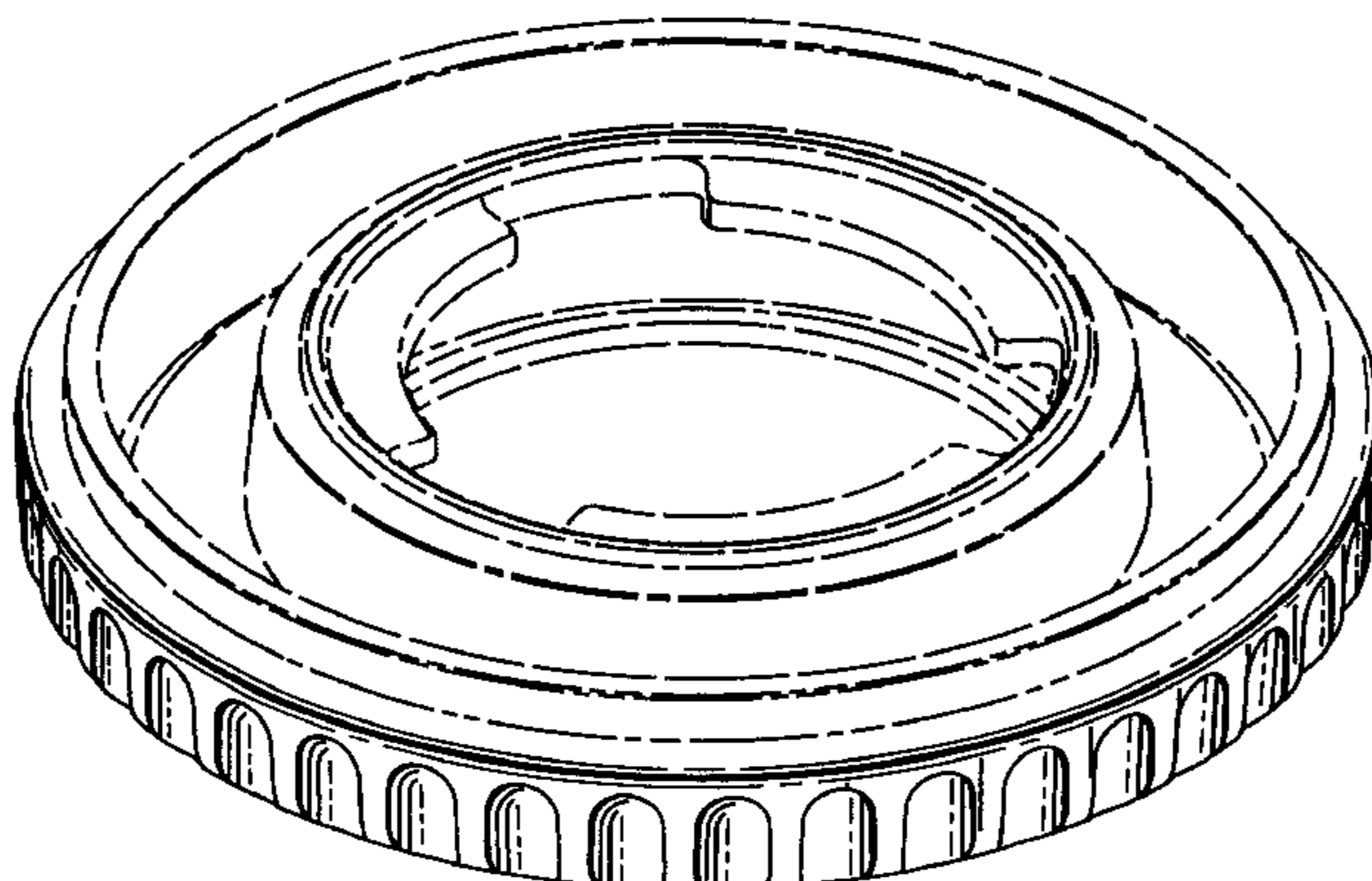
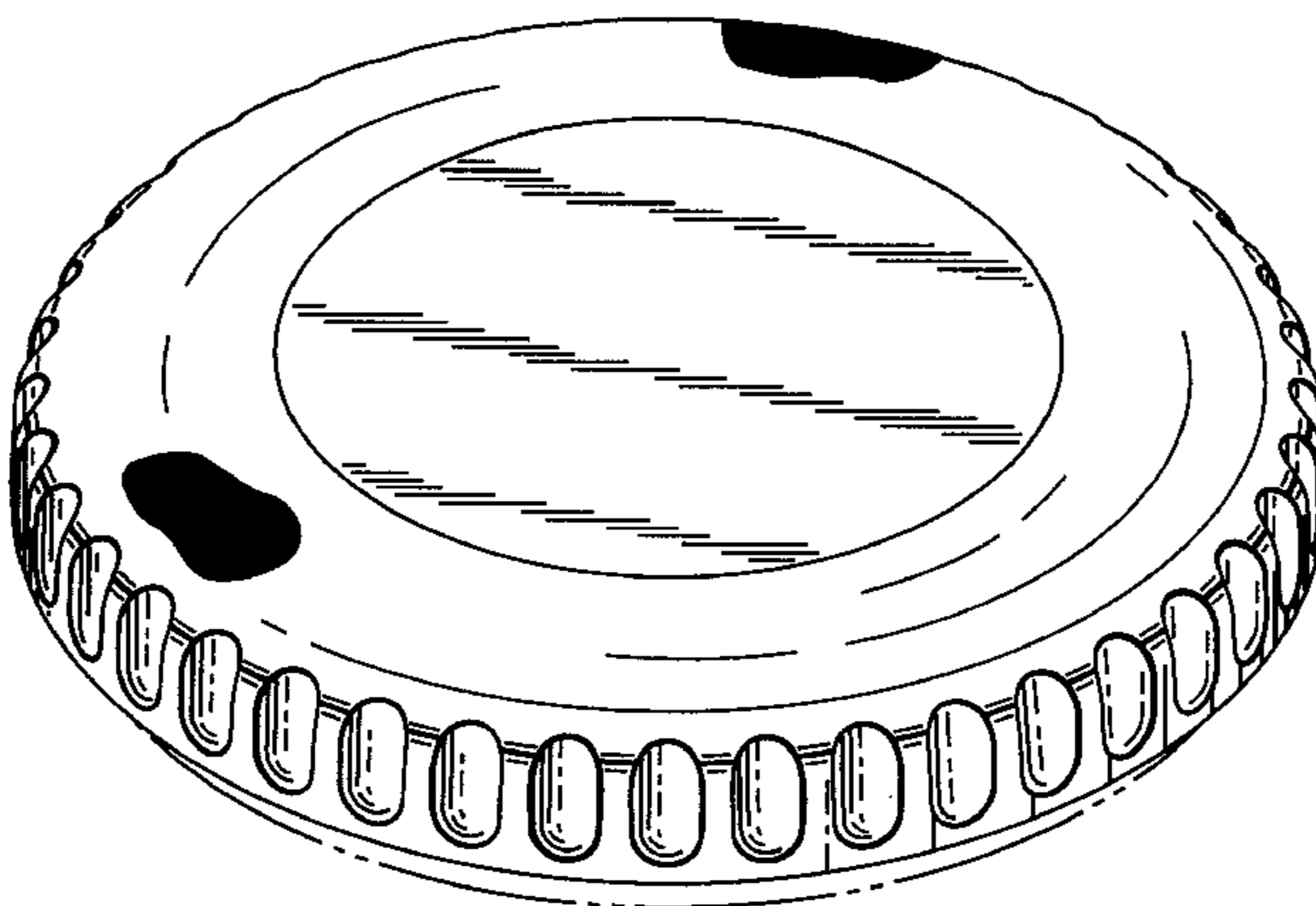
The fragmentary solid black shading shown in the Figures is provided to indicate that the cap is colored black. The broken lines that are illustrated in the drawings form no part of the claimed design.

[56] References Cited

U.S. PATENT DOCUMENTS

D. 310,585 9/1990 Newcomb D24/110

1 Claim, 3 Drawing Sheets



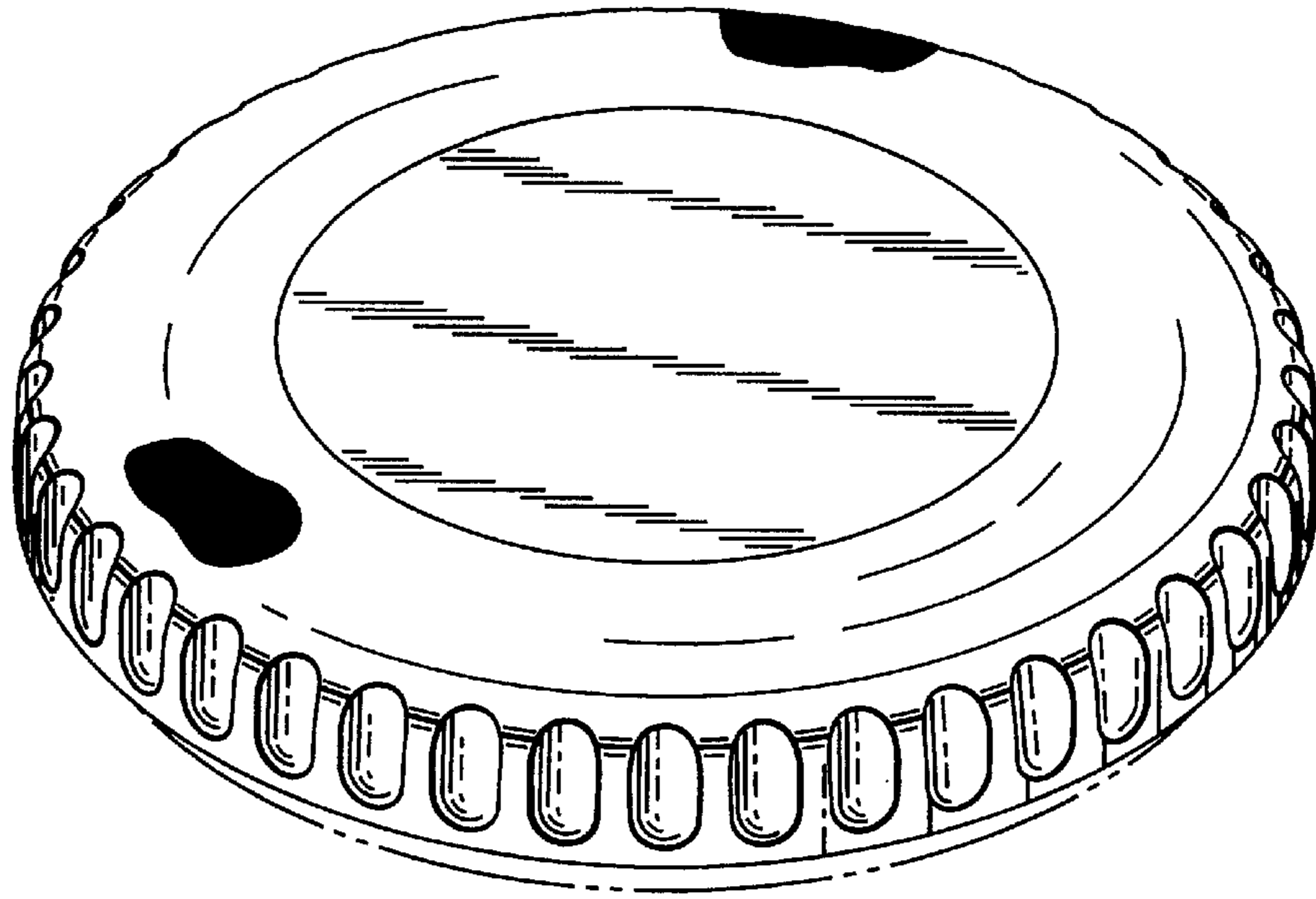


Fig. 1

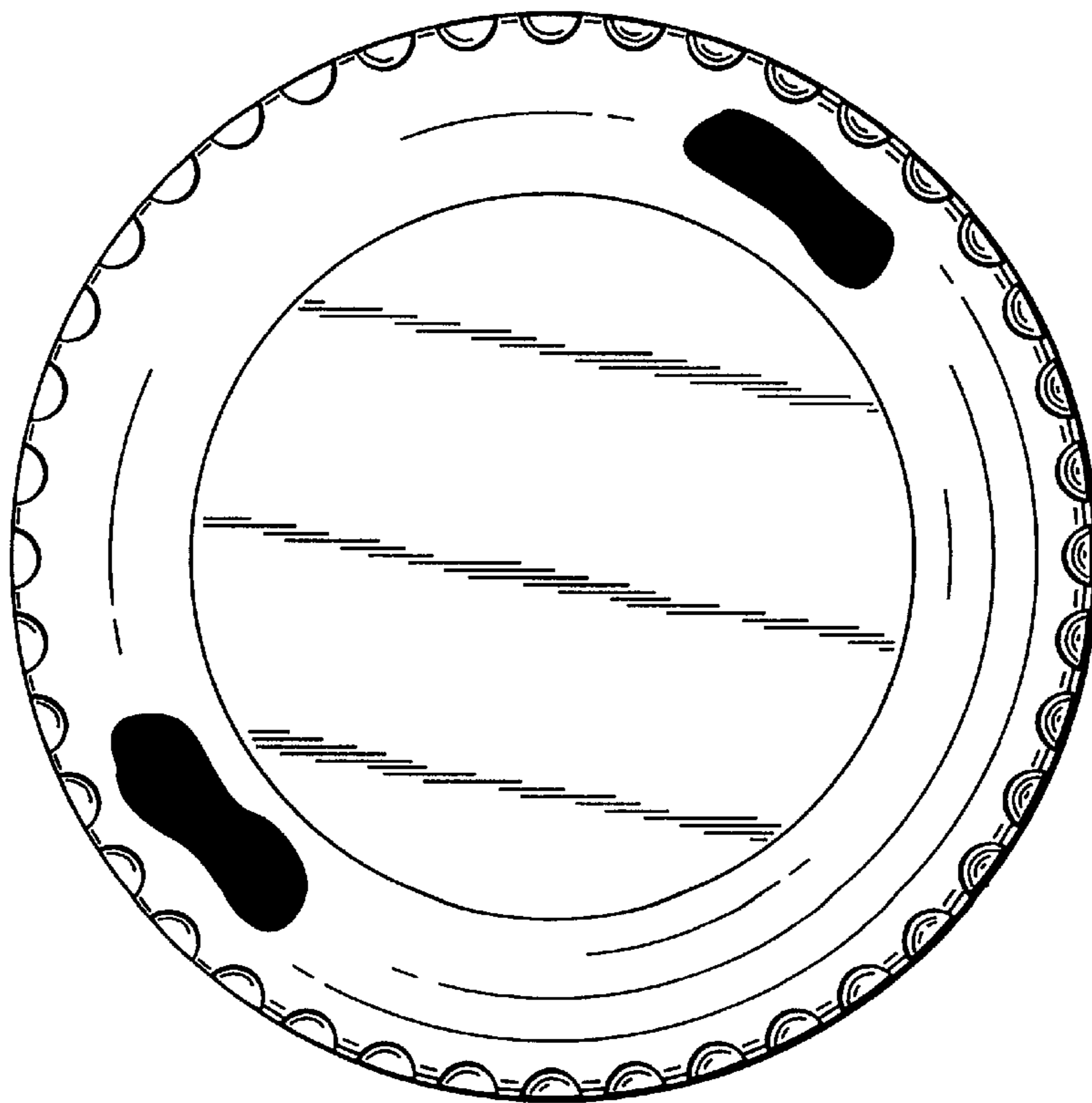


Fig. 2

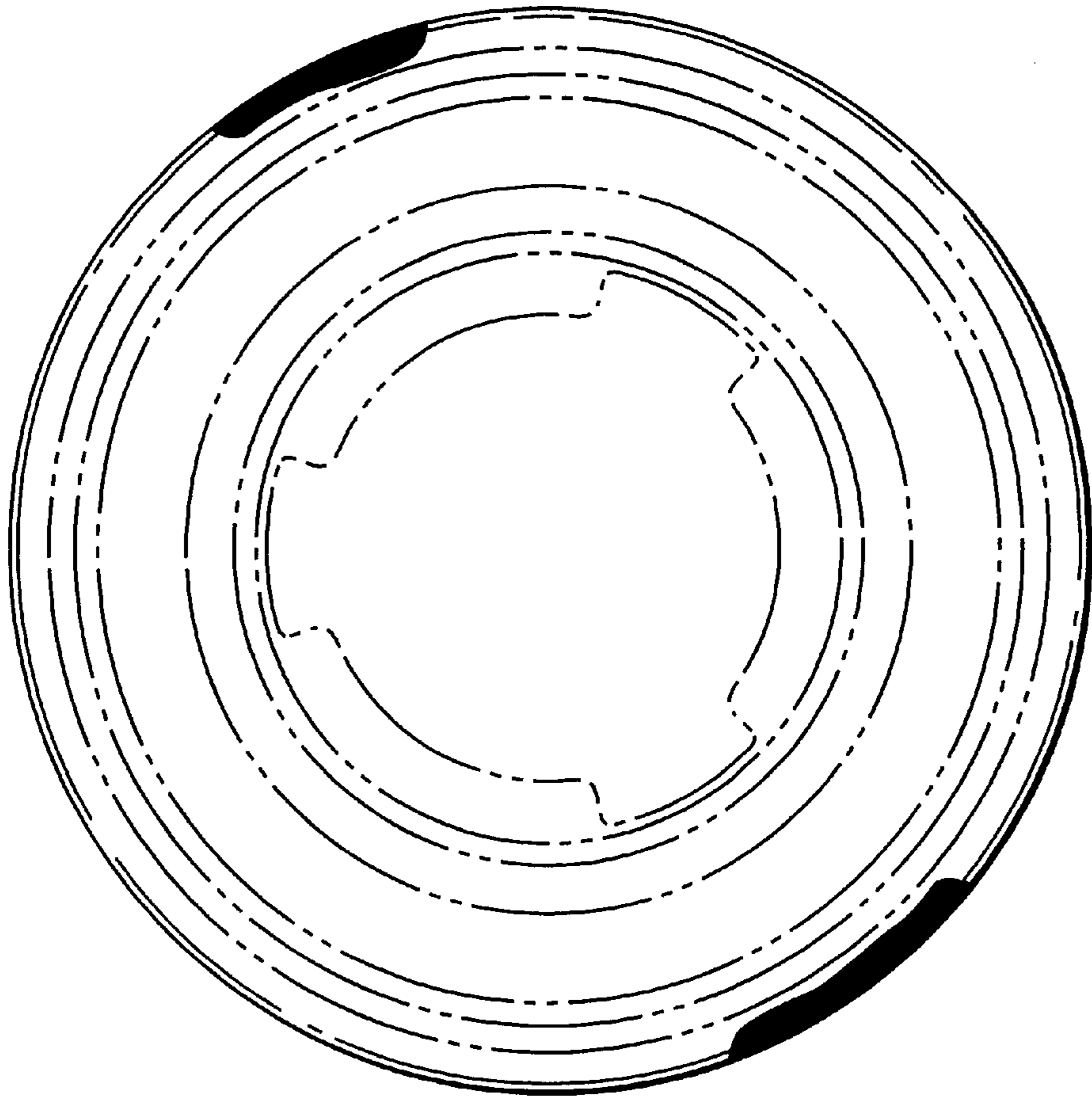


Fig. 3

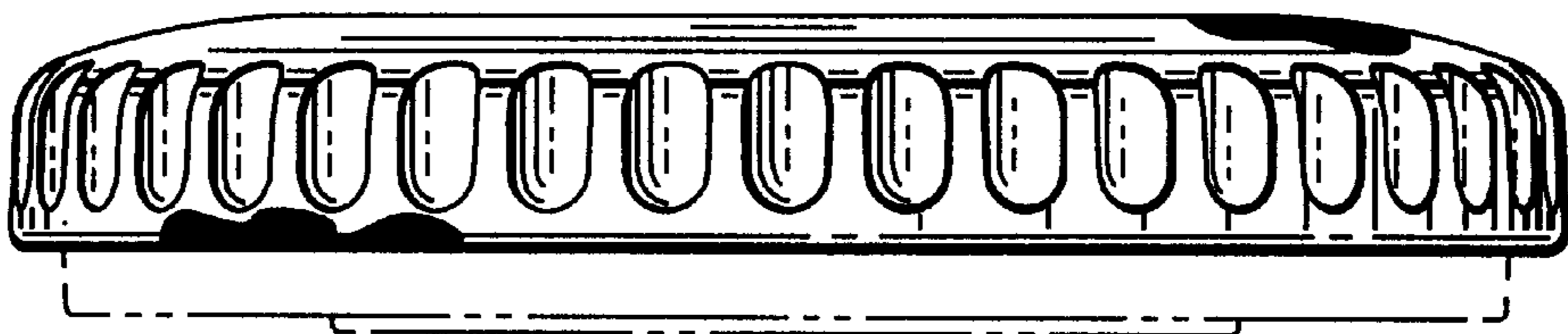


Fig. 4

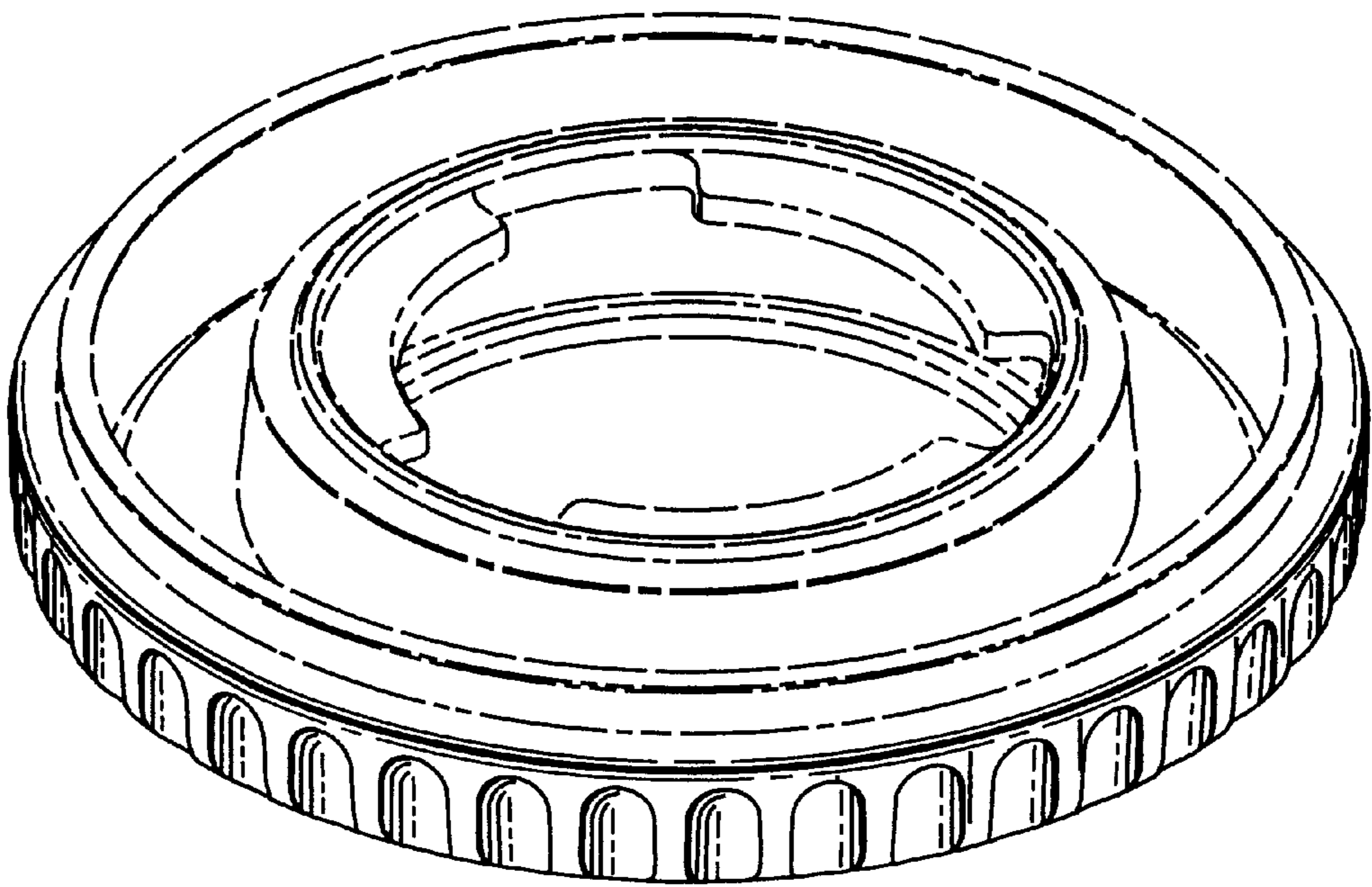


Fig. 5