



US00D433745S

United States Patent [19]
Cowell

[11] **Patent Number: Des. 433,745**

[45] **Date of Patent: ** Nov. 14, 2000**

[54] **AIR FRESHENER**

D. 387,304 12/1997 Alcala D11/157

[76] Inventor: **Miles K Cowell**, 1809 Aquamarine Dr.,
Virginia Beach, Va. 23456

Primary Examiner—Lisa Lichtenstein

[**] Term: **14 Years**

[57] **CLAIM**

The ornamental design for a air freshener, as shown.

[21] Appl. No.: **29/116,079**

DESCRIPTION

[22] Filed: **Dec. 23, 1999**

FIG. 1 is a front elevational view of the air freshener of the present invention;

[51] **LOC (7) Cl.** **23-04**

FIG. 2 is a back elevational view of the air freshener of FIG. 1;

[52] **U.S. Cl.** **D23/367**

[58] **Field of Search** D23/366–369;
239/211, 34, 53, 56, 60; 261/DIG. 65; 422/120;
D11/131

FIG. 3 is a left side elevational view of the air freshener of FIG. 1;

FIG. 4 is a right side elevational view of the air freshener of FIG. 1;

[56] **References Cited**

U.S. PATENT DOCUMENTS

D. 275,784 10/1984 Reedman D23/367

D. 321,845 11/1991 Nys D11/157

FIG. 5 is a top plan view of the air freshener of FIG. 1; and,
FIG. 6 is a bottom plan view of the air freshener of FIG. 1.

1 Claim, 3 Drawing Sheets

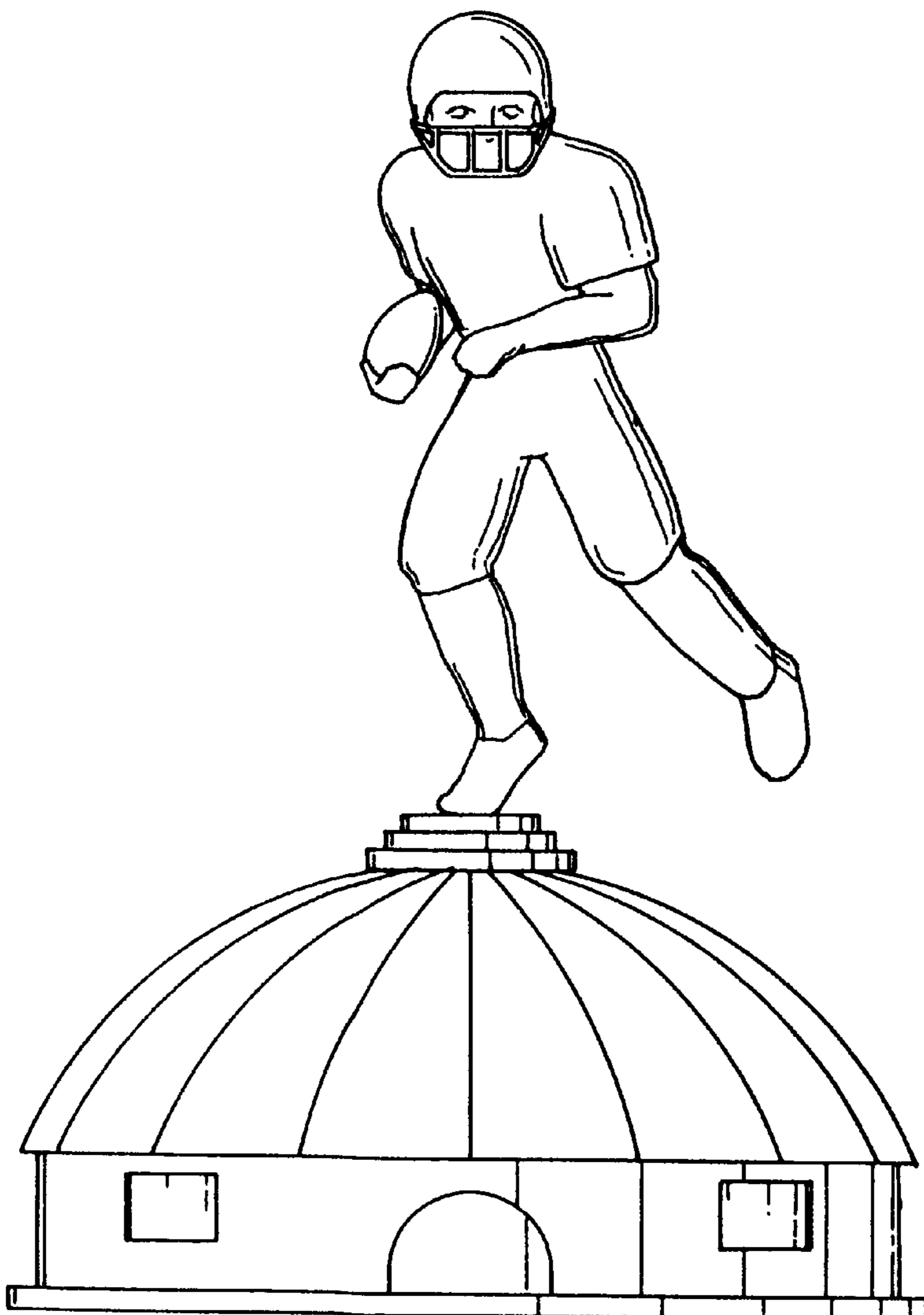


FIG. 4

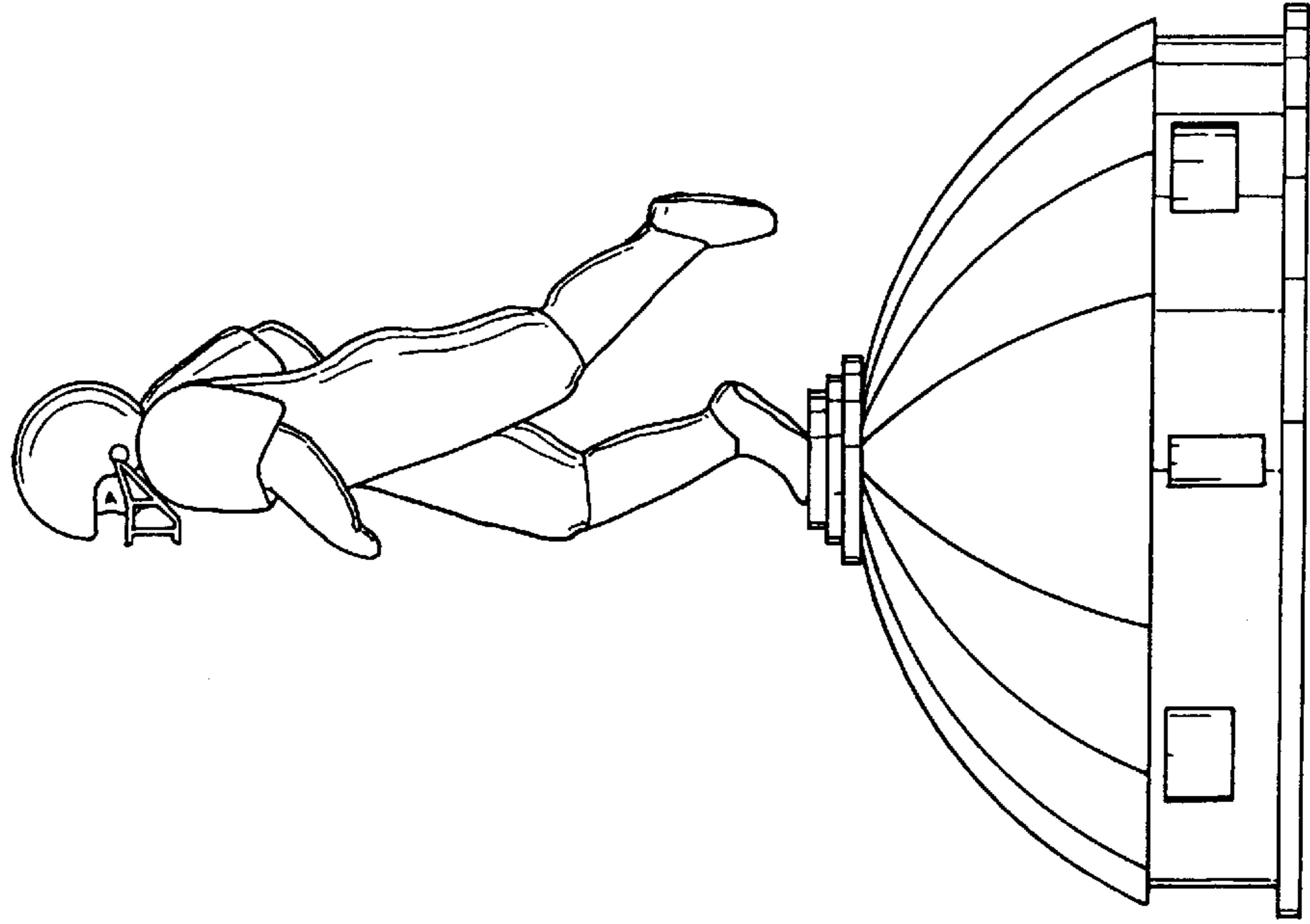


FIG. 1

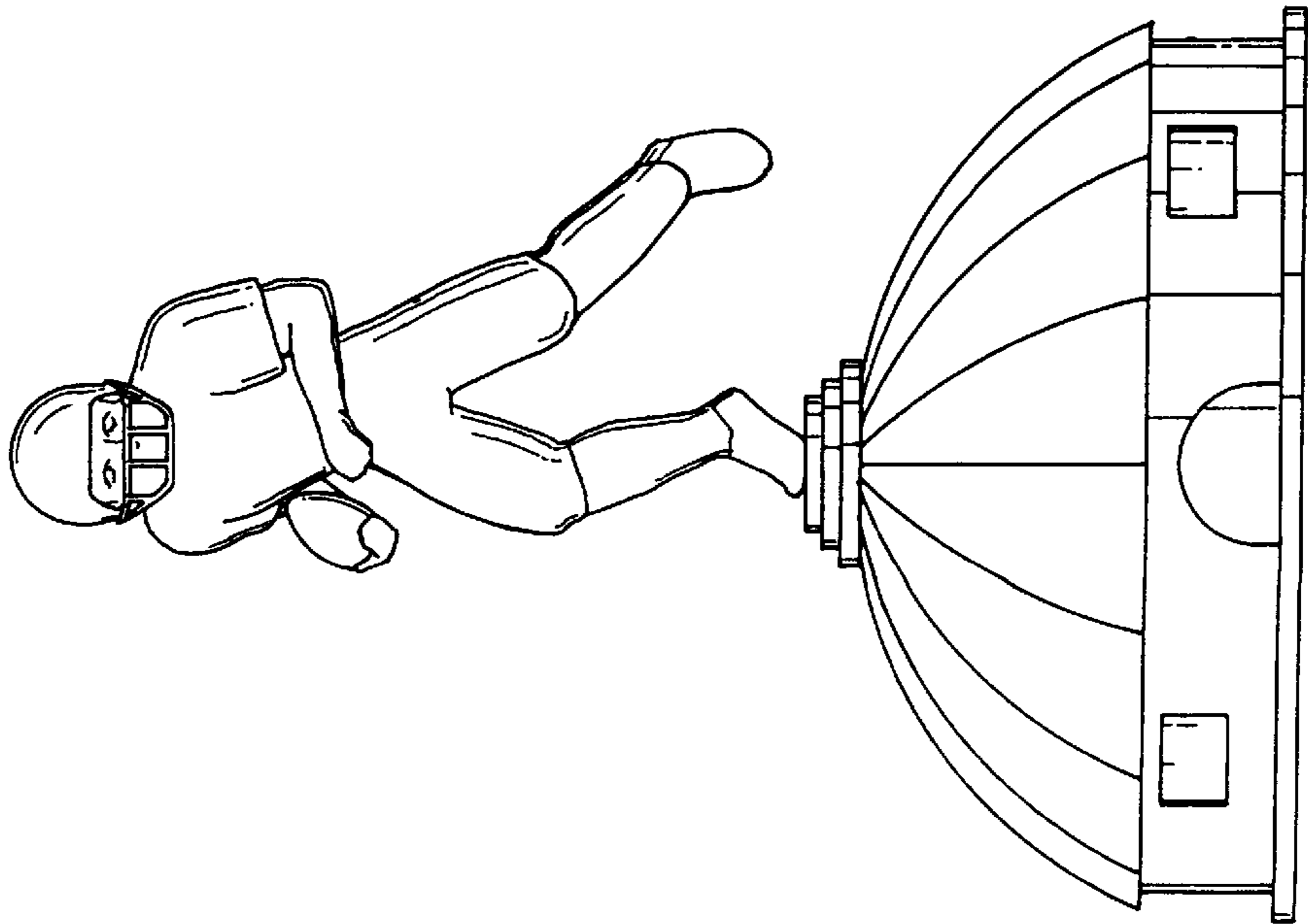


FIG. 3

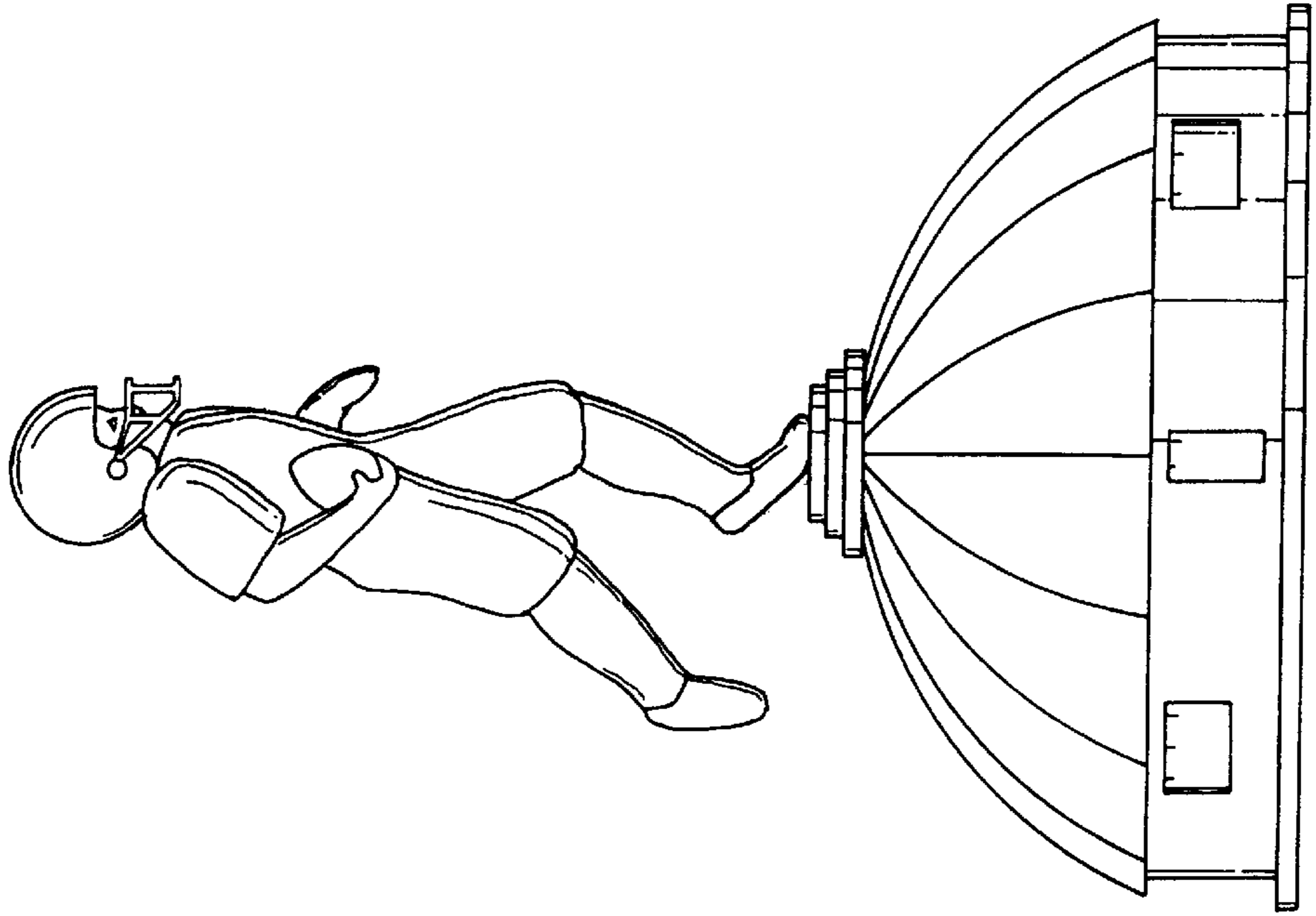


FIG. 2

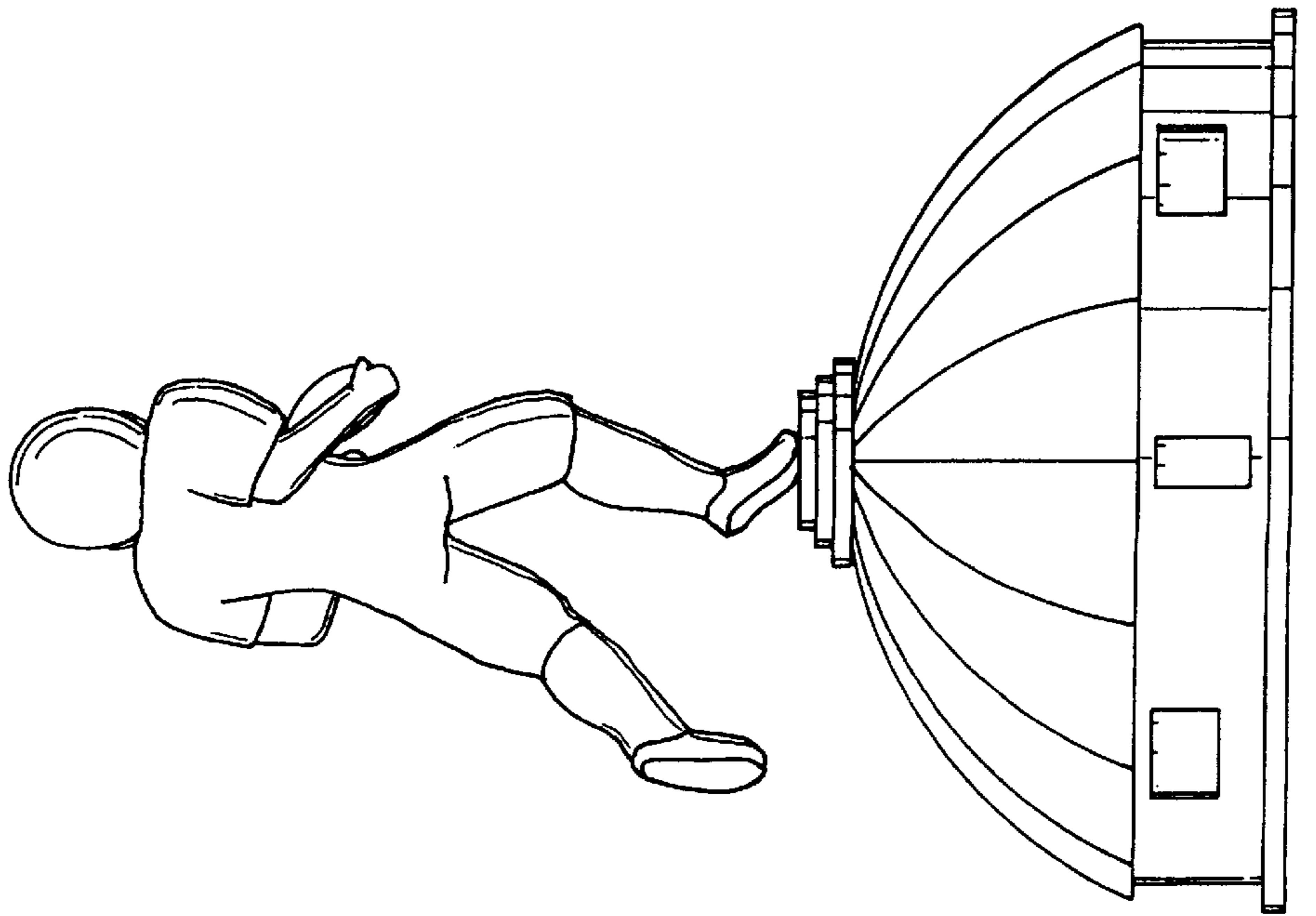


FIG.6

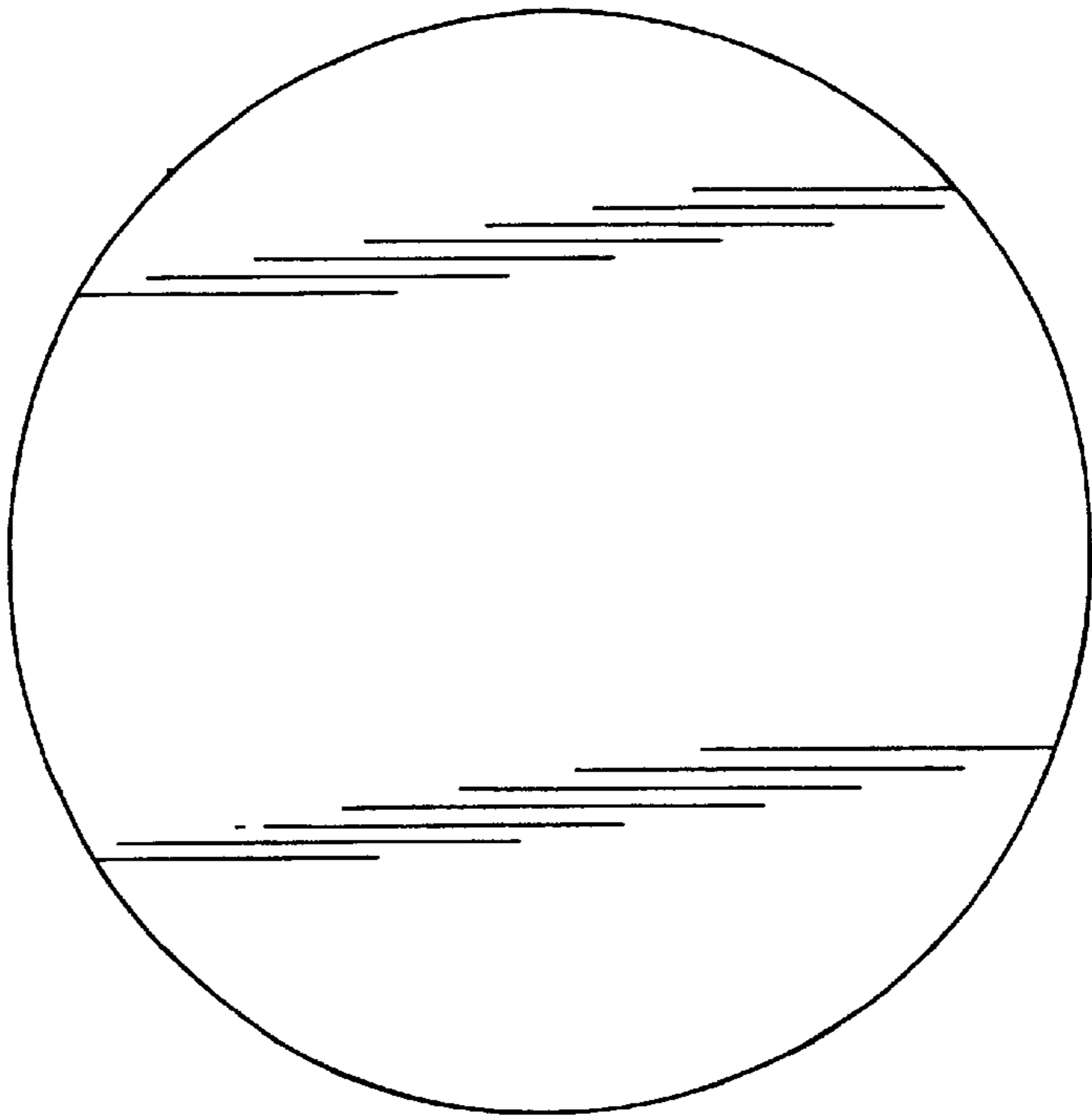


FIG. 5

