



US00D433744S

United States Patent [19]
Basagañas

[11] **Patent Number: Des. 433,744**

[45] **Date of Patent: ** Nov. 14, 2000**

[54] **SUBSTANCE EVAPORATOR**

[75] Inventor: **Jordi Basagañas**, Cerdanyola del Valles, Spain

[73] Assignee: **DBK Espana, S.A.**, Cerdanyola del Valles, Spain

[**] Term: **14 Years**

[21] Appl. No.: **29/095,803**

[22] Filed: **Oct. 30, 1998**

[30] **Foreign Application Priority Data**

Aug. 14, 1998 [ES] Spain 143456

[51] **LOC (7) Cl.** **23-04**

[52] **U.S. Cl.** **D23/366; D23/360**

[58] **Field of Search** D23/366-369,
D23/355, 356-363; 422/305, 125; D9/529,
544, 571; 239/136, 135; 392/395, 392,
403, 405

[56] **References Cited**

U.S. PATENT DOCUMENTS

D. 67,807 7/1925 Kammer D9/529

D. 335,530 5/1993 Schimanski D23/366
D. 400,662 11/1998 Davis D23/366
D. 403,419 12/1998 Davis D23/366

Primary Examiner—Lisa Lichtenstein
Attorney, Agent, or Firm—Helfgott & Karas, P.C.

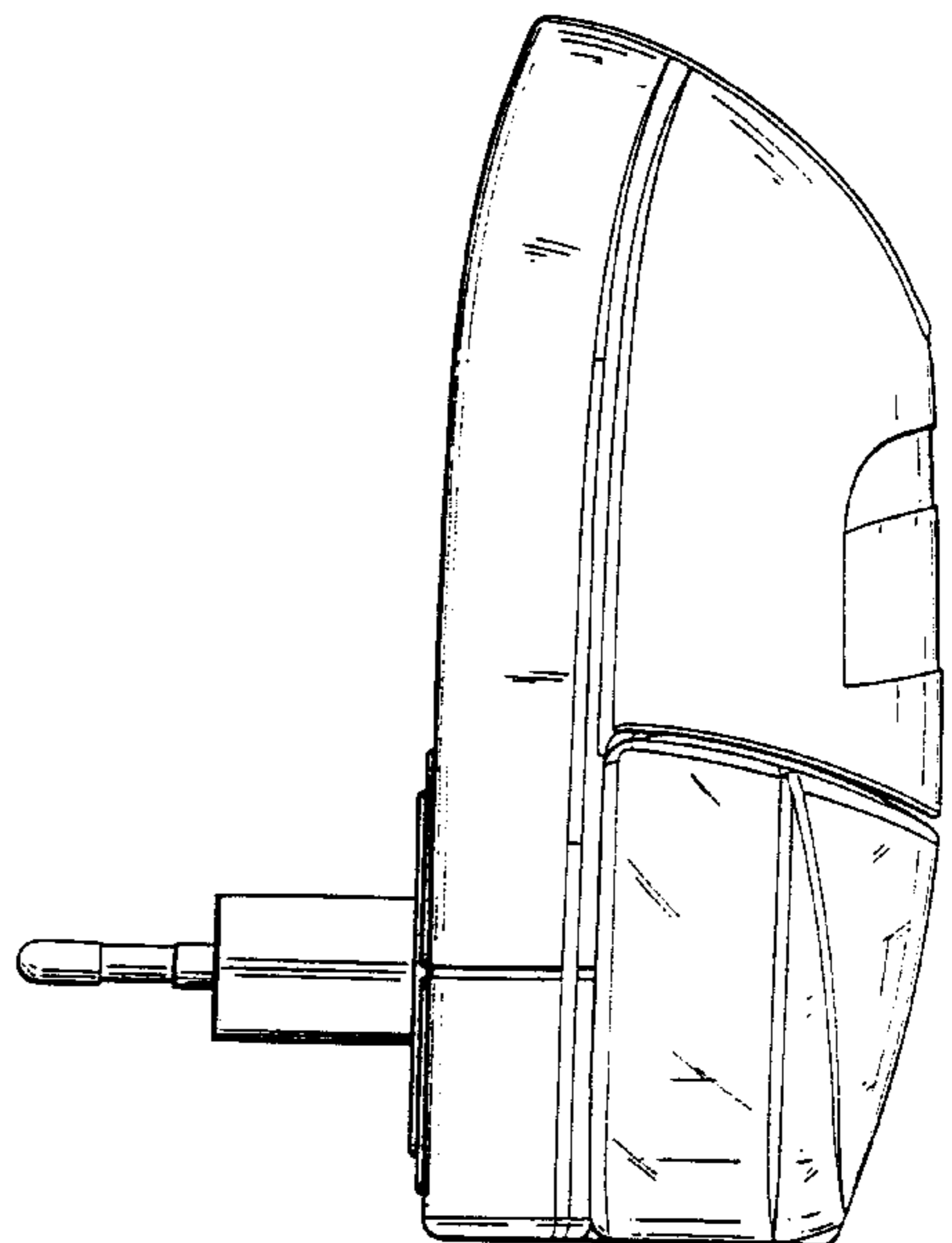
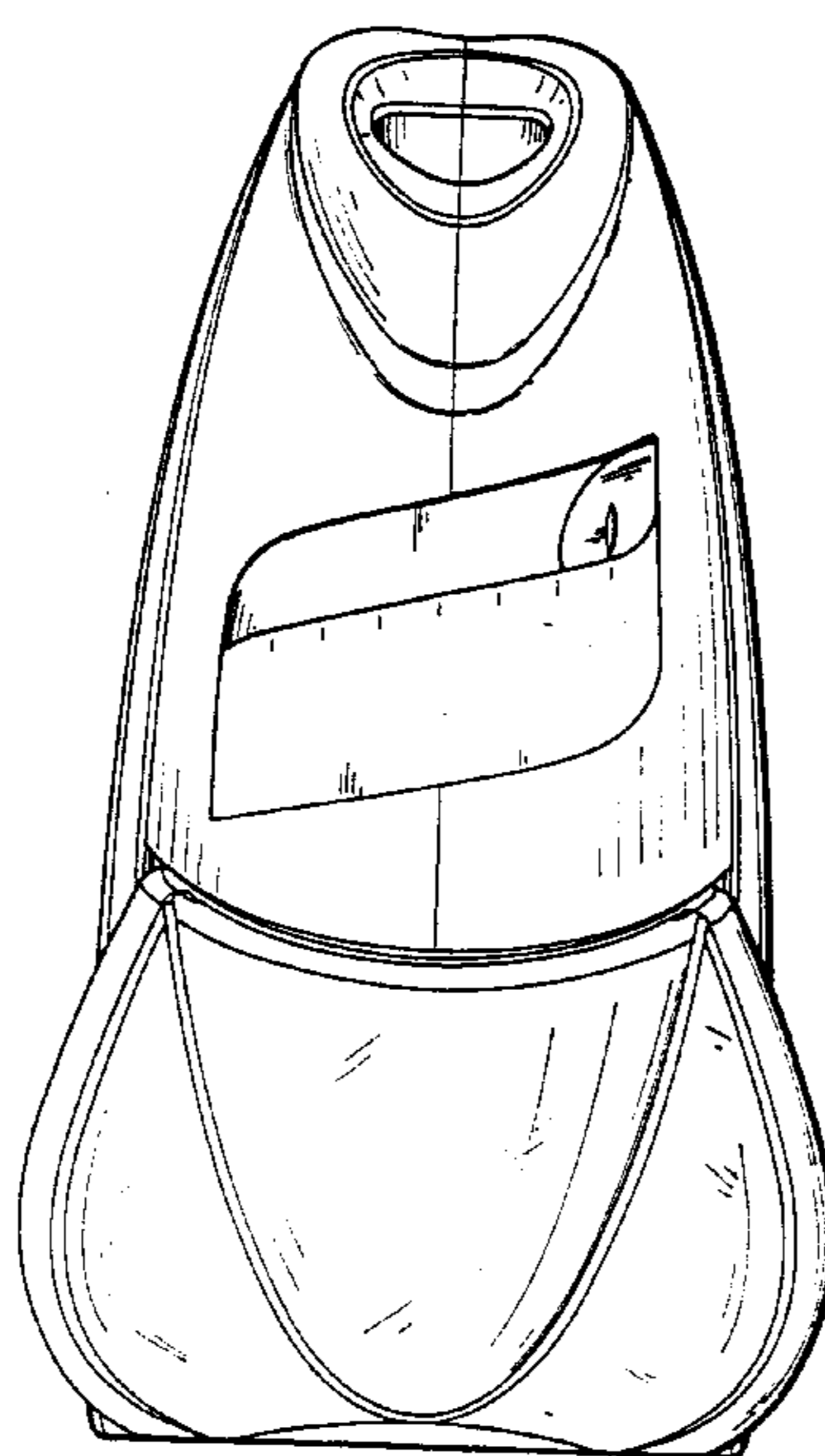
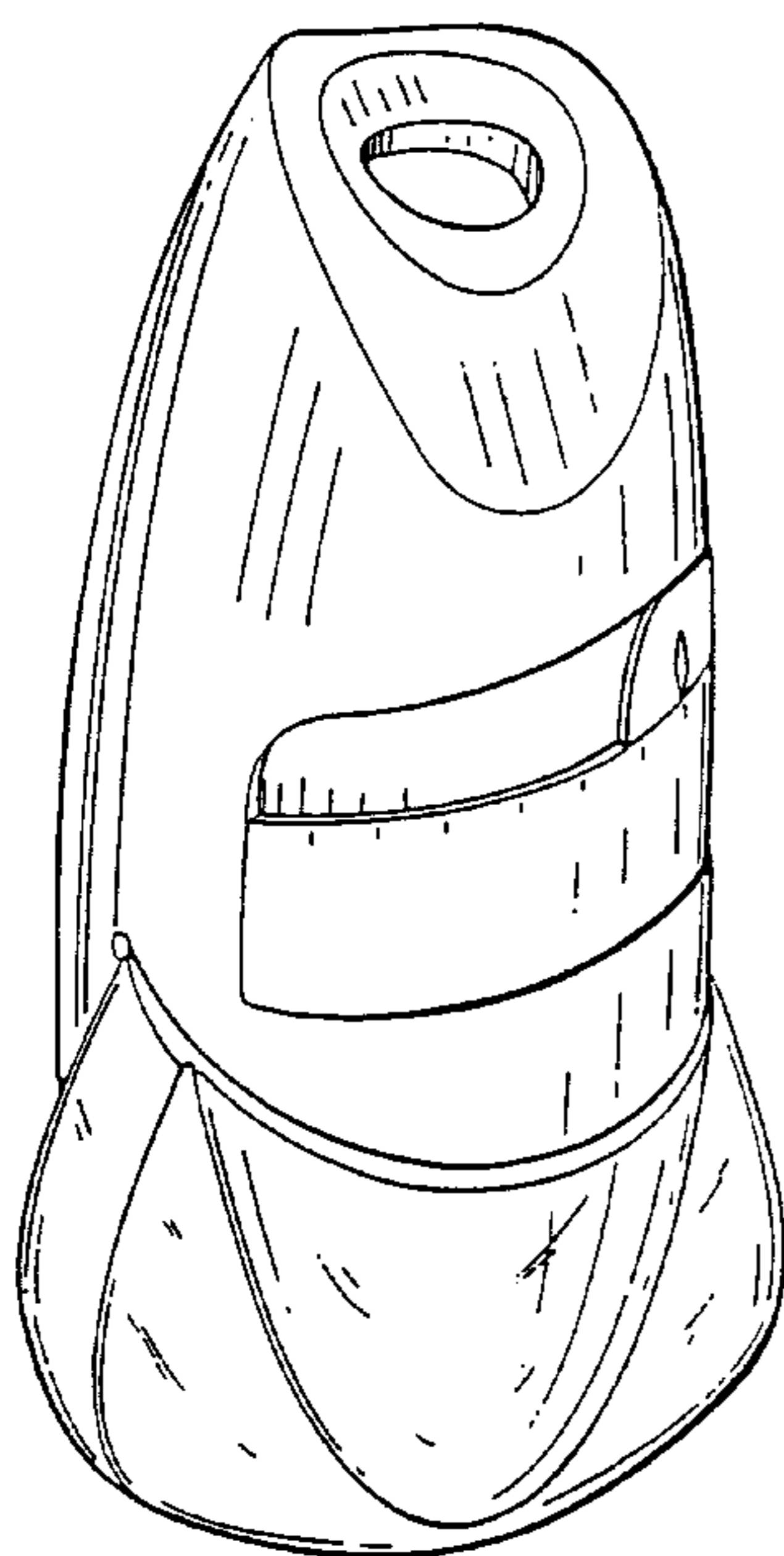
[57] **CLAIM**

The ornamental design for a substance evaporator, as shown and described.

DESCRIPTION

FIG. 1 is a perspective view showing the front and left side thereof;
FIG. 2 is a perspective view of a rear and left side thereof;
FIG. 3 is a front view thereof;
FIG. 4 is a right side view thereof;
FIG. 5 is rear view thereof;
FIG. 6 is a side view thereof;
FIG. 7 is a top view thereof;
FIG. 8 is a bottom view thereof; and,
FIG. 9 is a front view thereof in open condition.

1 Claim, 6 Drawing Sheets



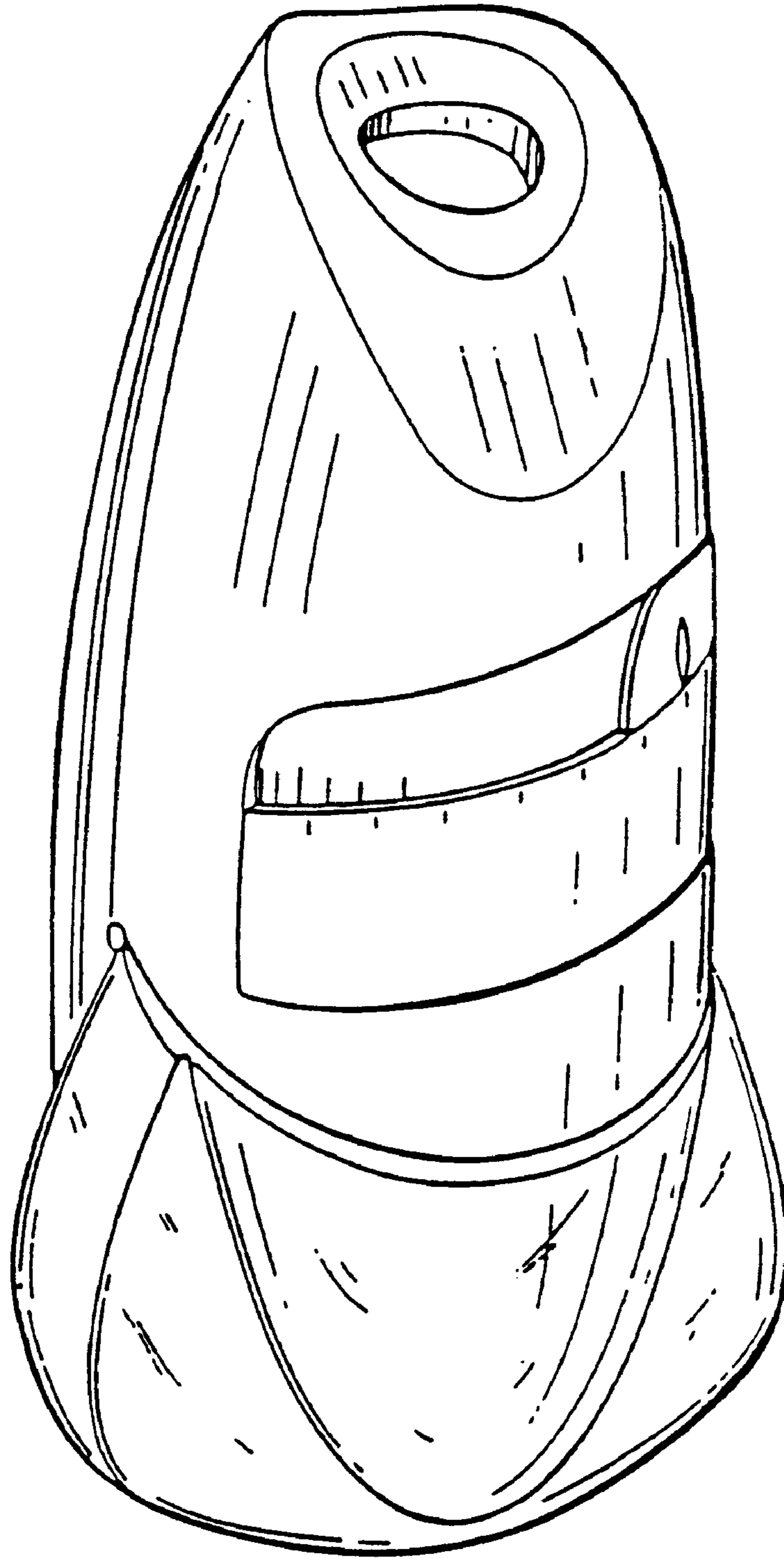


FIG.1

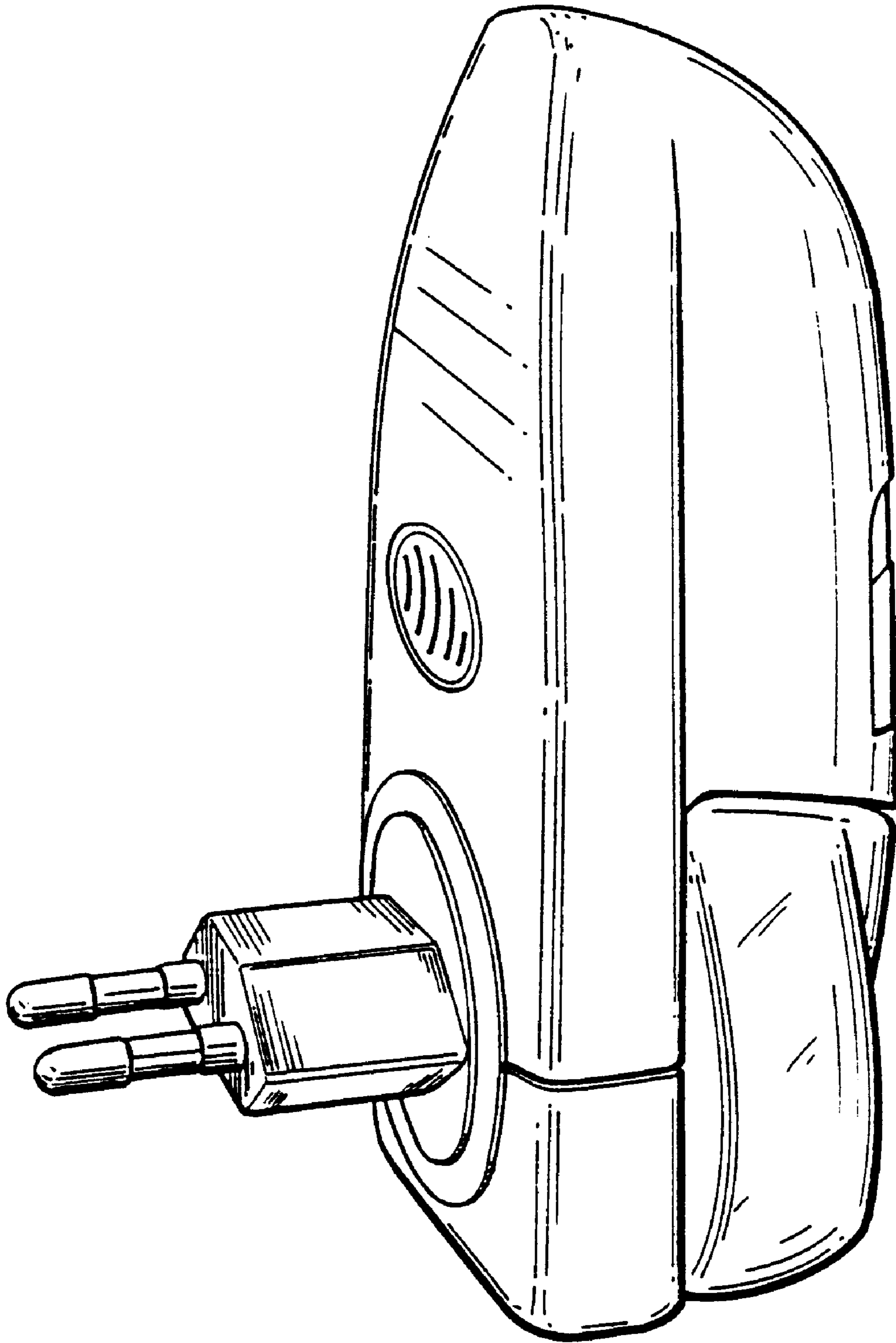


FIG. 2

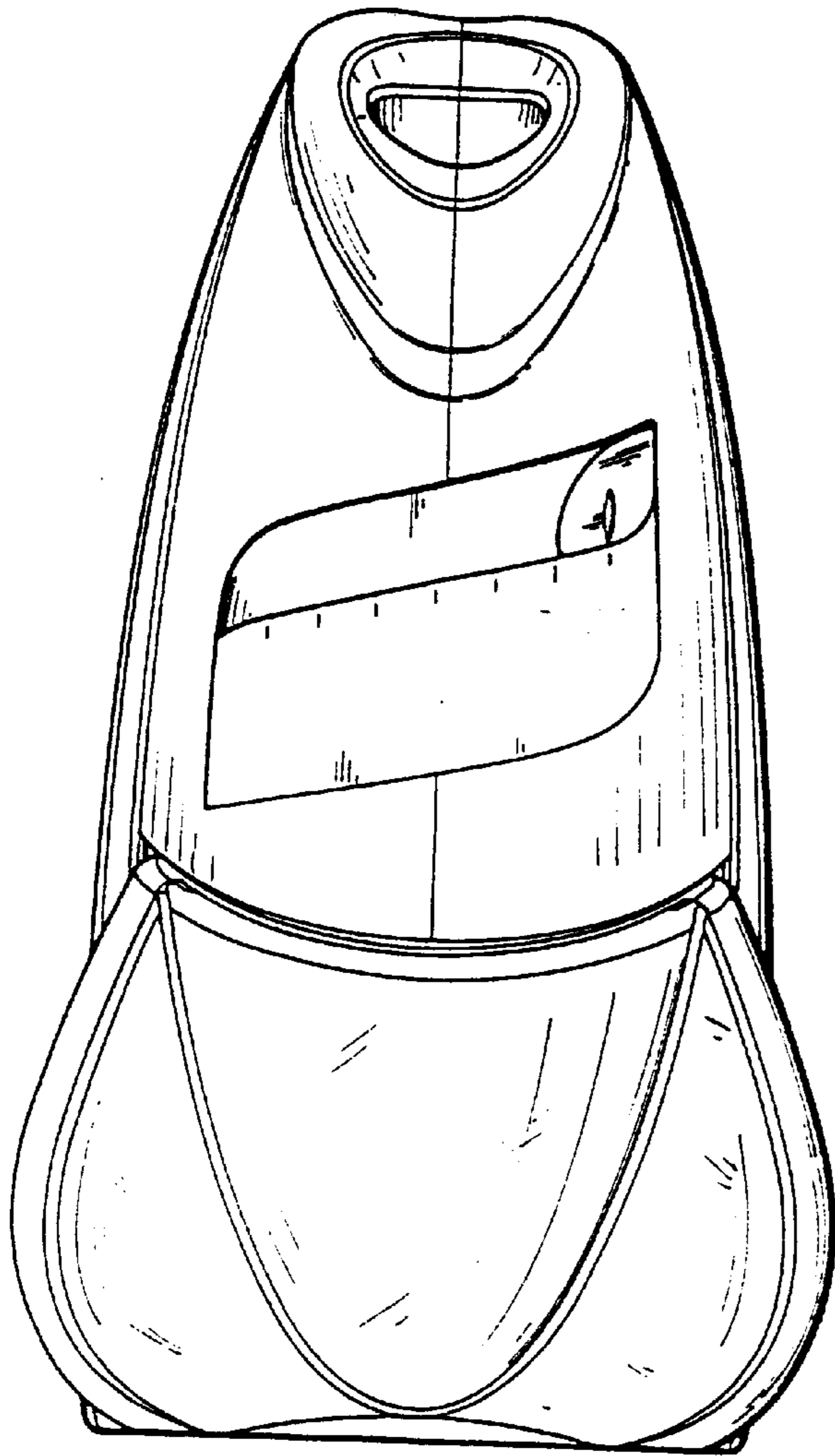


FIG.3

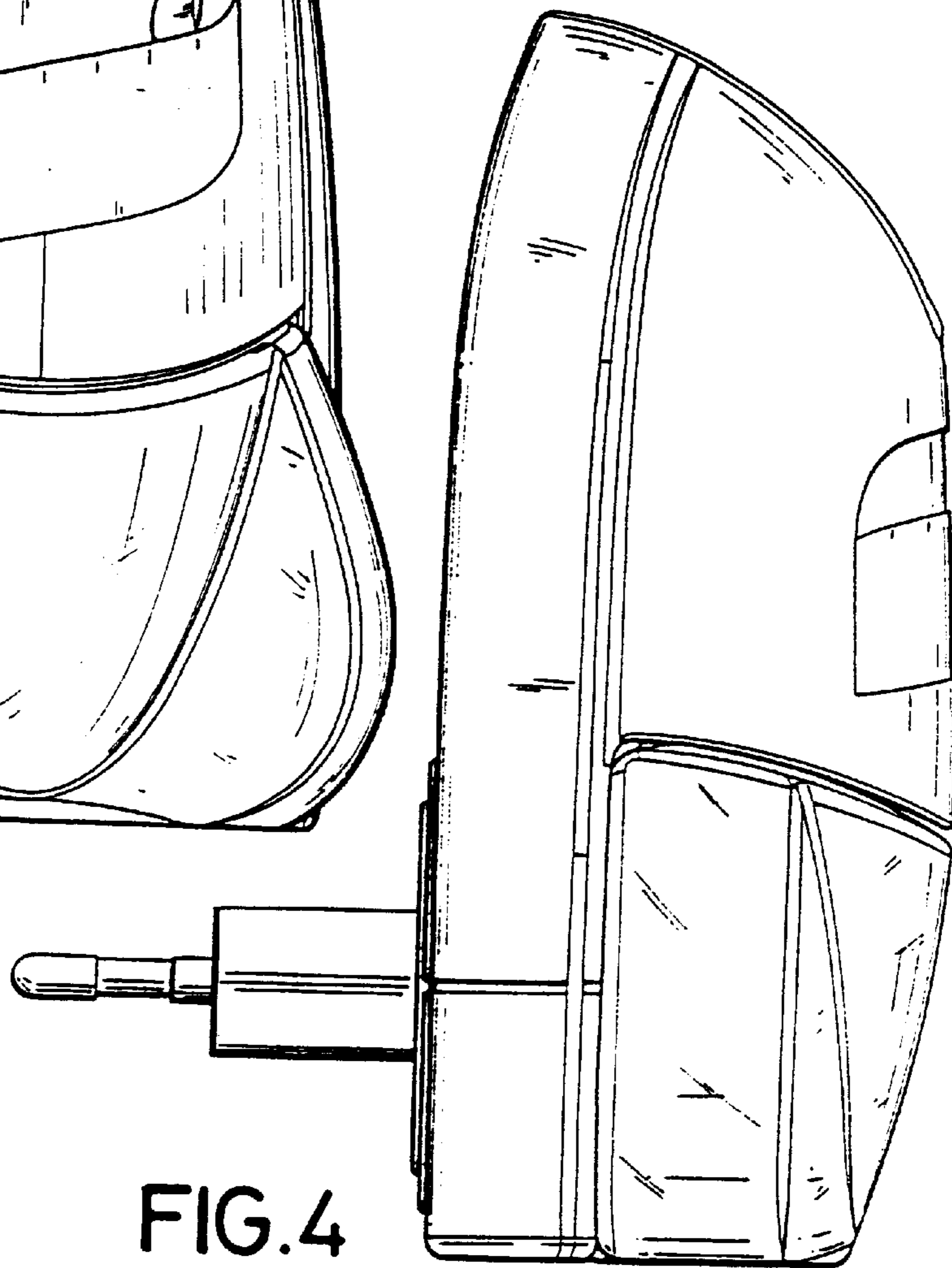


FIG.4

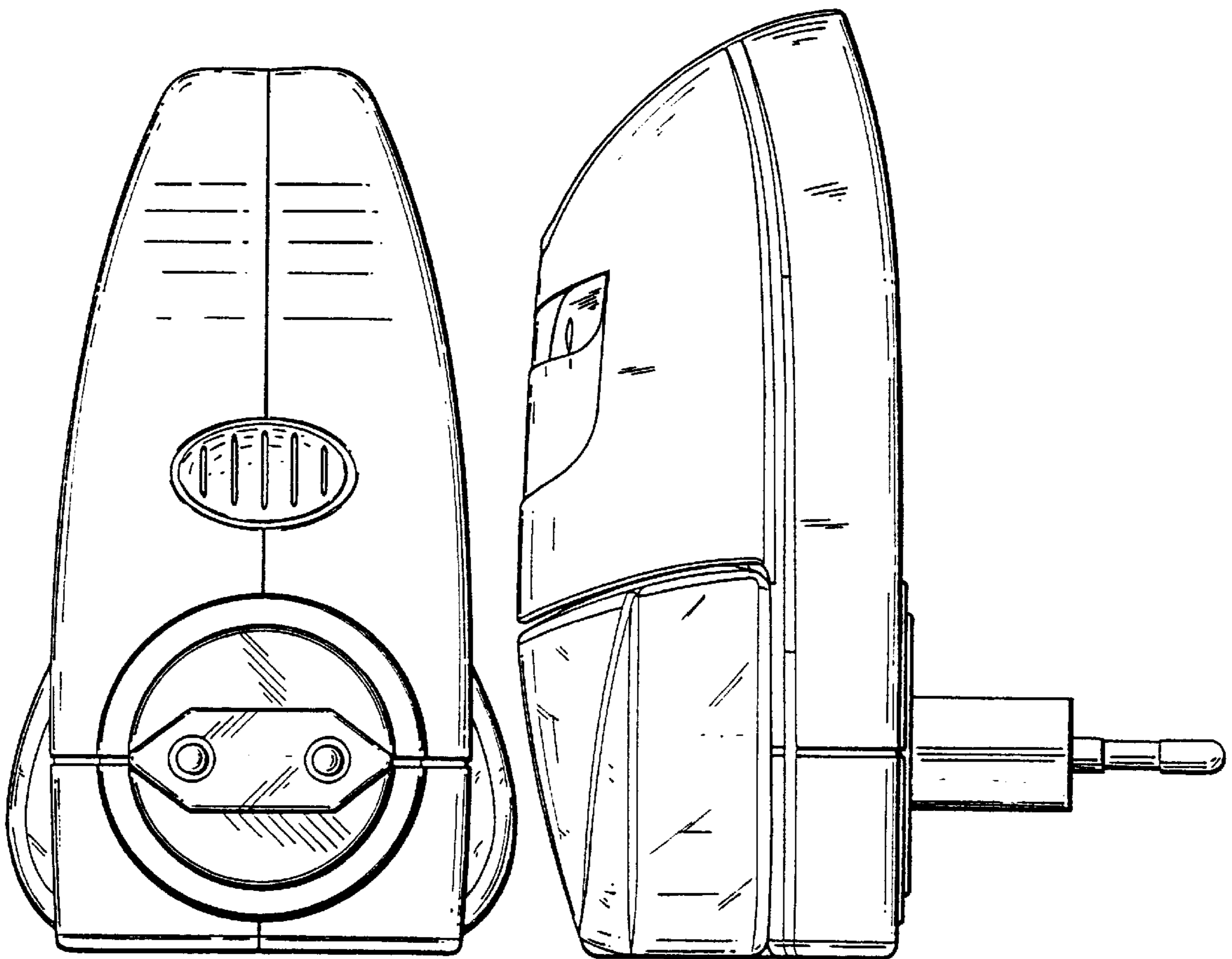


FIG.5

FIG.6

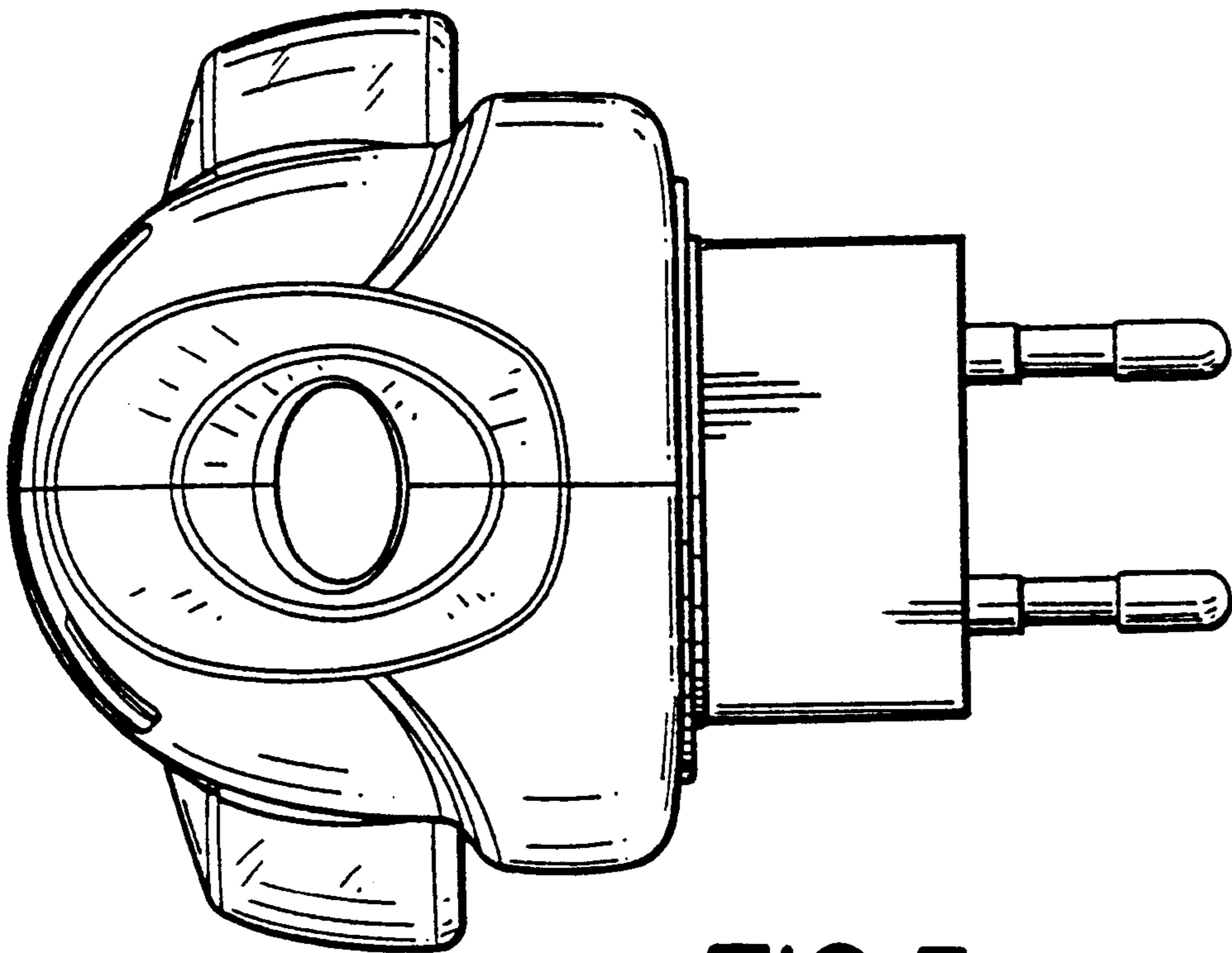


FIG. 7

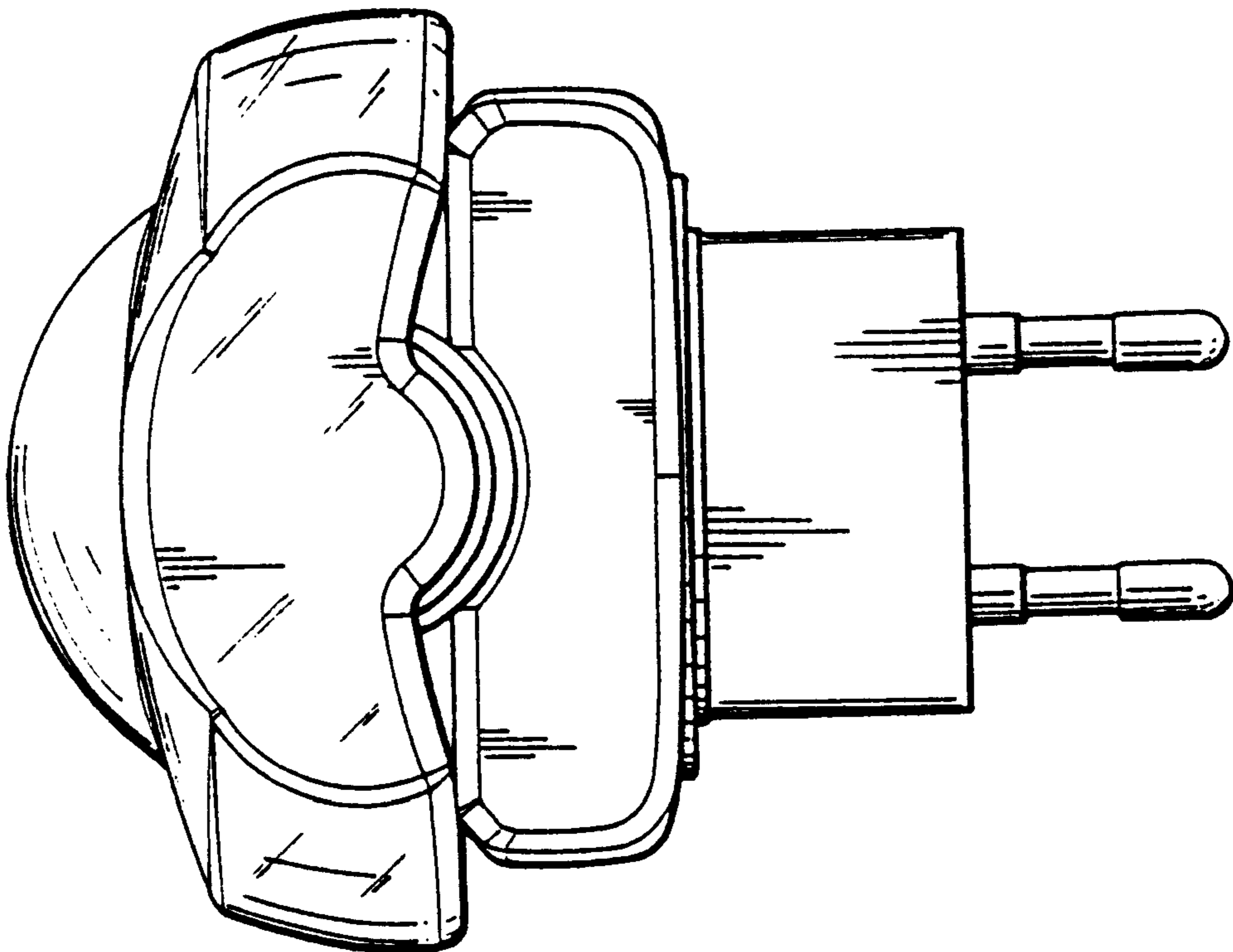


FIG. 8

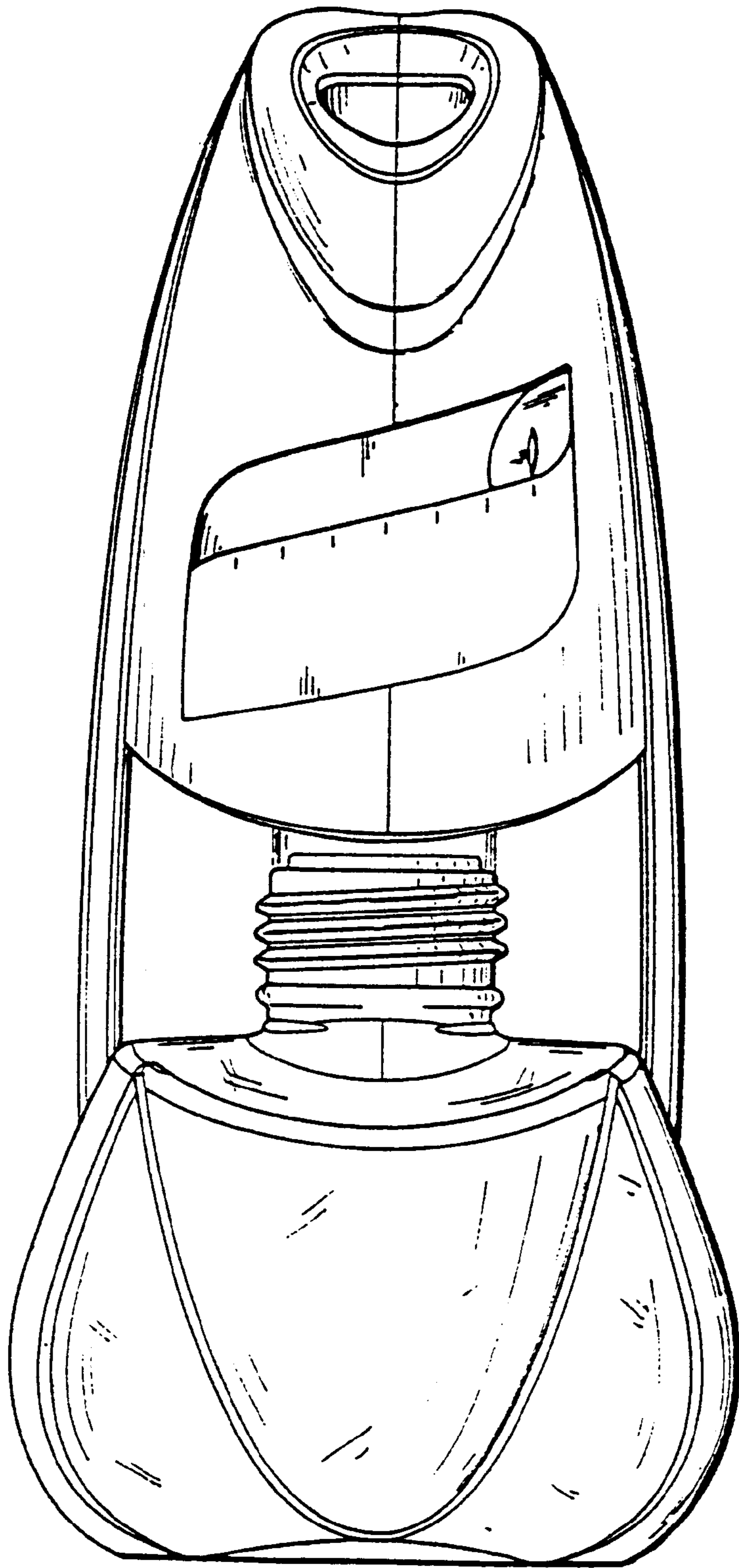


FIG. 9