



US00D433743S

# United States Patent [19]

[11] **Patent Number: Des. 433,743**

**Marshall et al.**

[45] **Date of Patent: \*\* Nov. 14, 2000**

[54] **ONE-PIECE STAINLESS STEEL PEDESTAL WASH BASIN**

*Primary Examiner*—Doris Clark  
*Attorney, Agent, or Firm*—Edgar W. Averill, Jr.

[75] Inventors: **Keith D. Marshall**, West Covina;  
**Carlos J. Galeazzi**, Alta Loma, both of Calif.

[57] **CLAIM**

The ornamental design for a one-piece stainless steel pedestal wash basin, as shown and described.

[73] Assignee: **Acorn Engineering Co.**, City of Industry, Calif.

**DESCRIPTION**

[\*\*] Term: **14 Years**

FIG. 1 is a perspective view showing the top and front of the one-piece stainless steel pedestal wash basin showing our new design.

[21] Appl. No.: **29/121,759**

FIG. 2 is a top view thereof.

[22] Filed: **Apr. 12, 2000**

FIG. 3 is a front view thereof.

[51] **LOC (7) Cl.** ..... **23-02**

FIG. 4 is a right side view thereof.

[52] **U.S. Cl.** ..... **D23/293.1; D23/292**

FIG. 5 is a rear view thereof.

[58] **Field of Search** ..... **D23/292, 284, D23/293.1; 4/660, 643, 691**

FIG. 6 is a perspective view showing the top, front and right side of an alternate embodiment of the one-piece stainless steel pedestal wash basin showing our new design.

[56] **References Cited**

FIG. 7 is a top view of FIG. 6.

**U.S. PATENT DOCUMENTS**

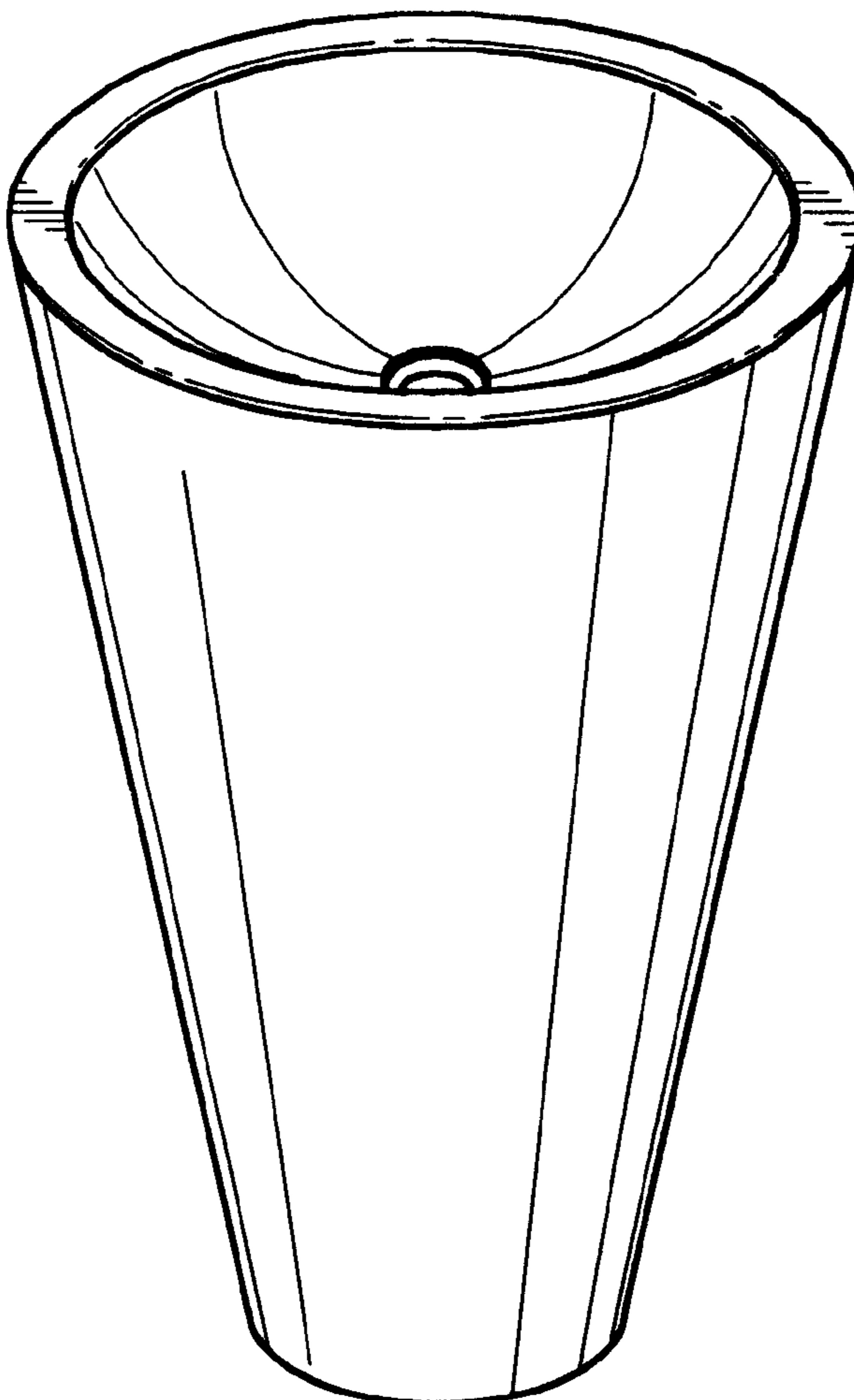
FIG. 8 is a front view of FIG. 6.

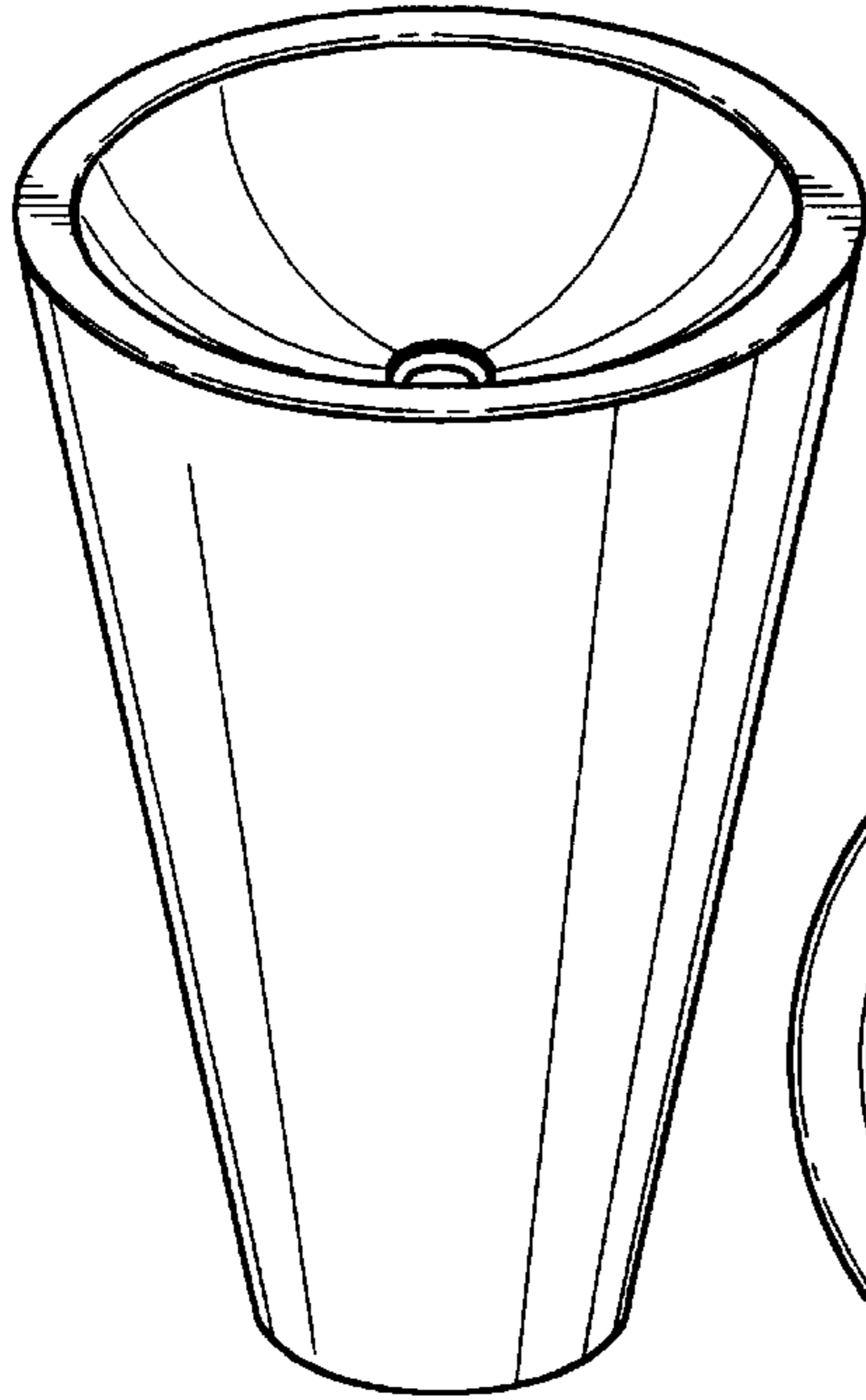
D. 332,829	1/1993	Belfor	.....	D23/292
D. 370,967	6/1996	Kaiser	.....	D23/293.1

FIG. 9 is a right side view of FIG. 6; and,

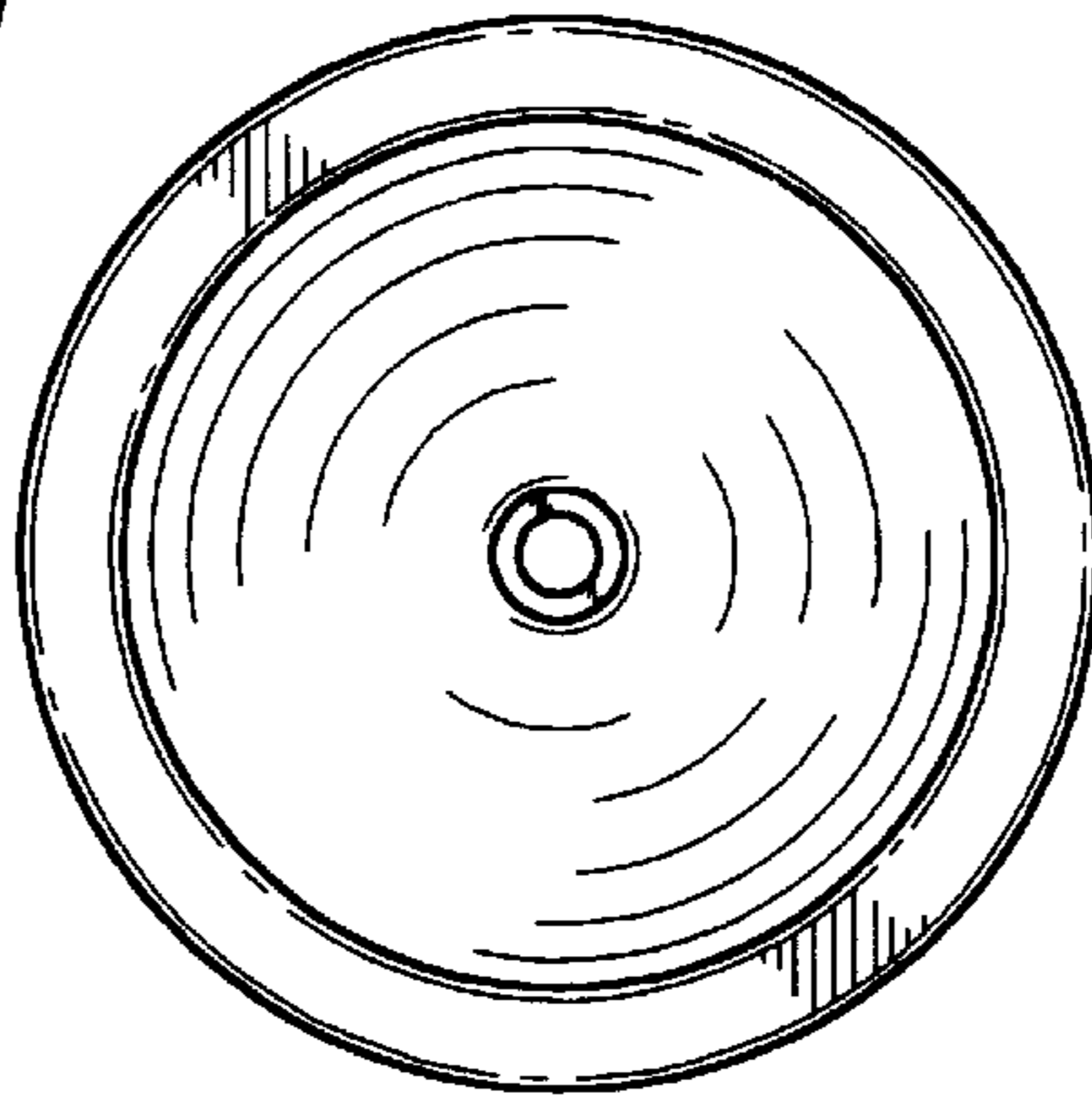
FIG. 10 is a rear view of FIG. 6.

**1 Claim, 2 Drawing Sheets**

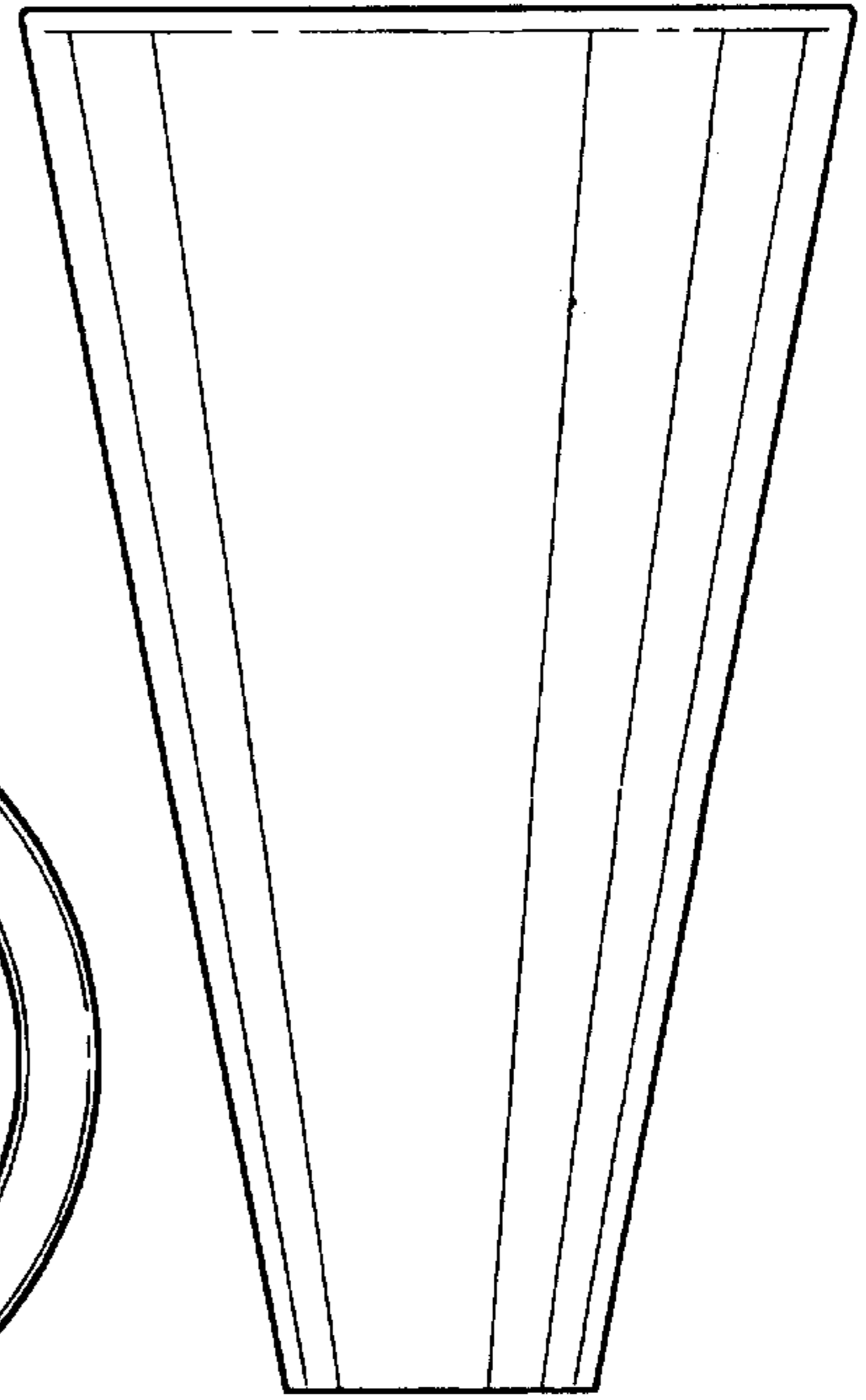




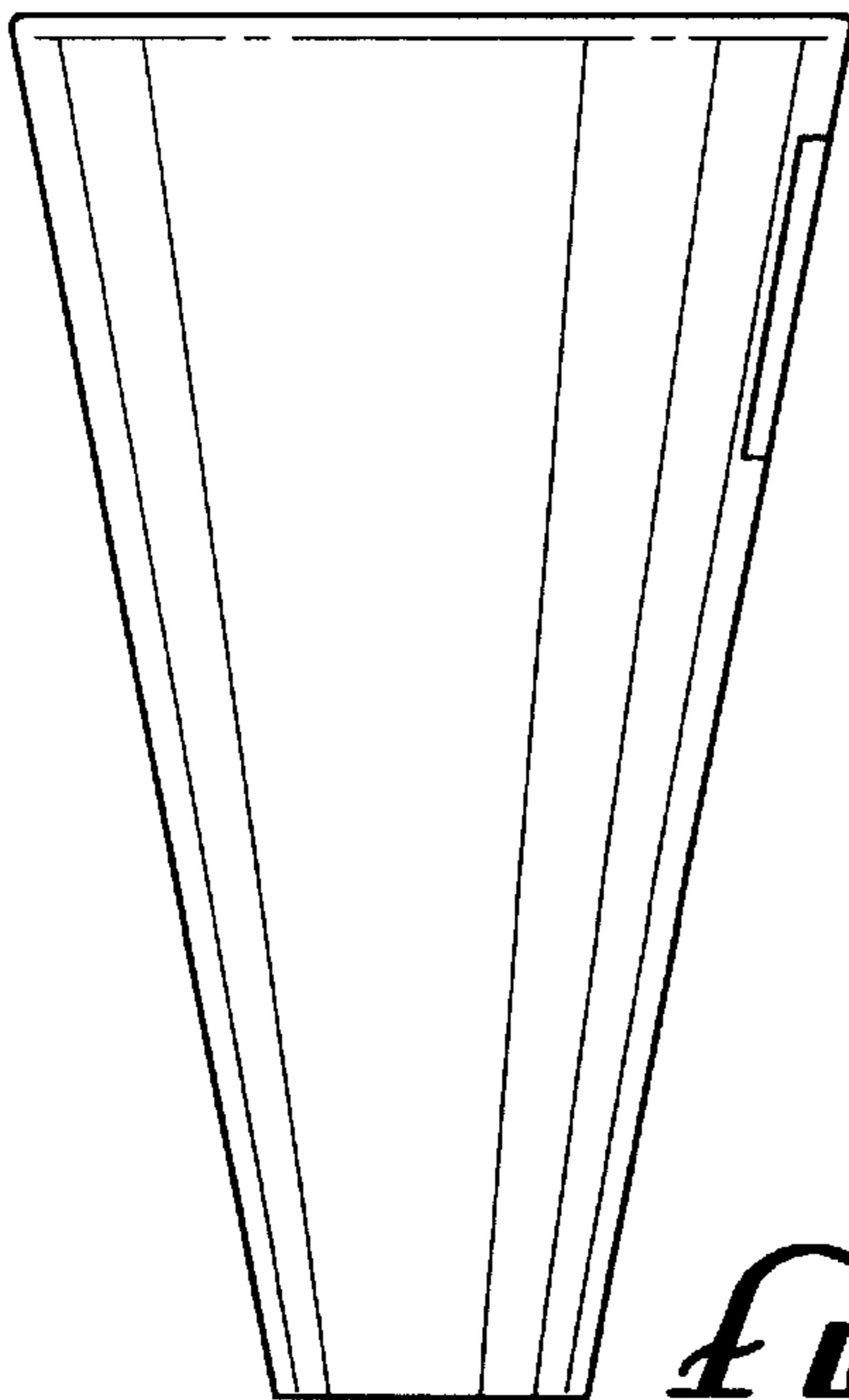
*FIG. 1*



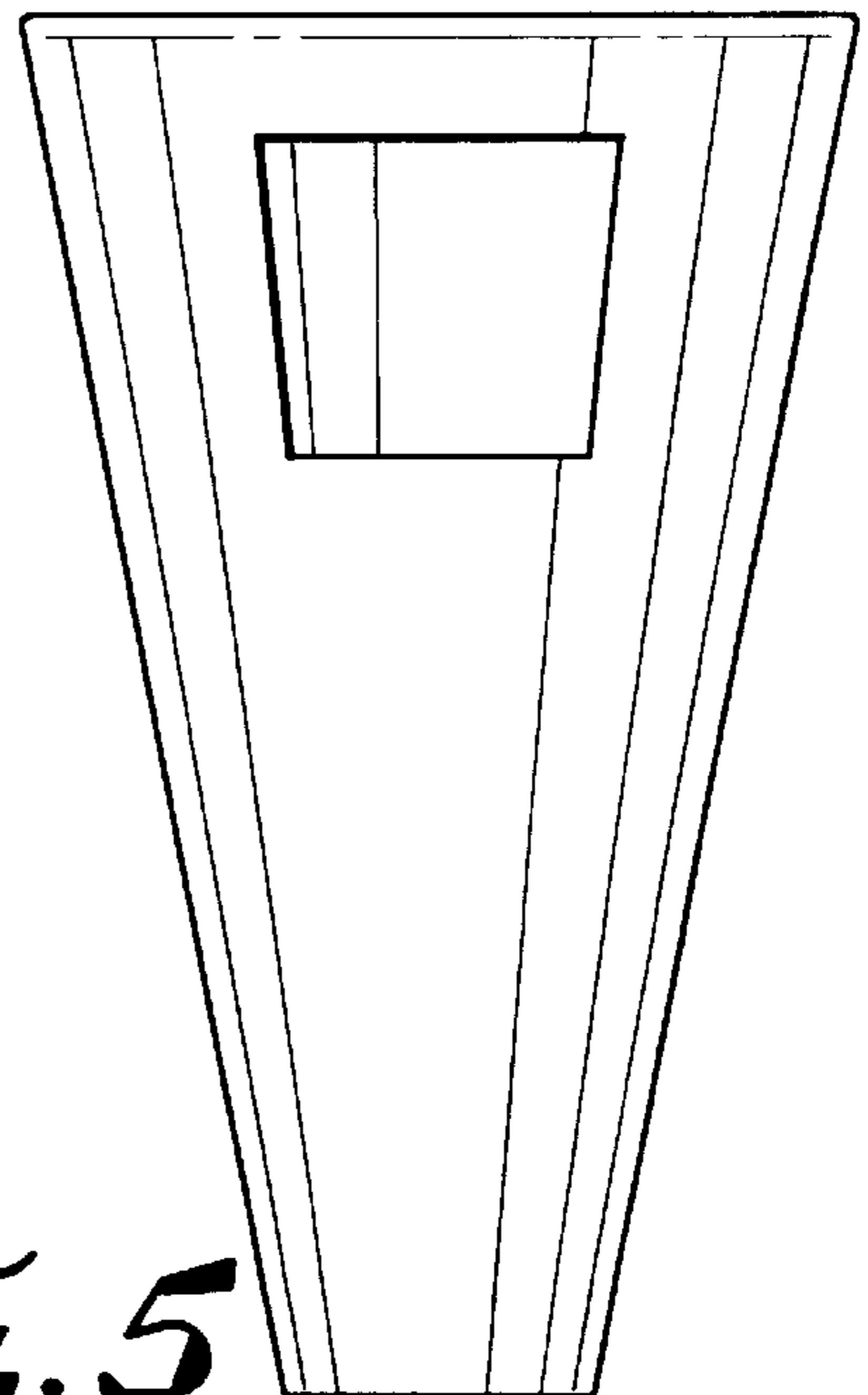
*FIG. 2*



*FIG. 3*



*FIG. 4*



*FIG. 5*

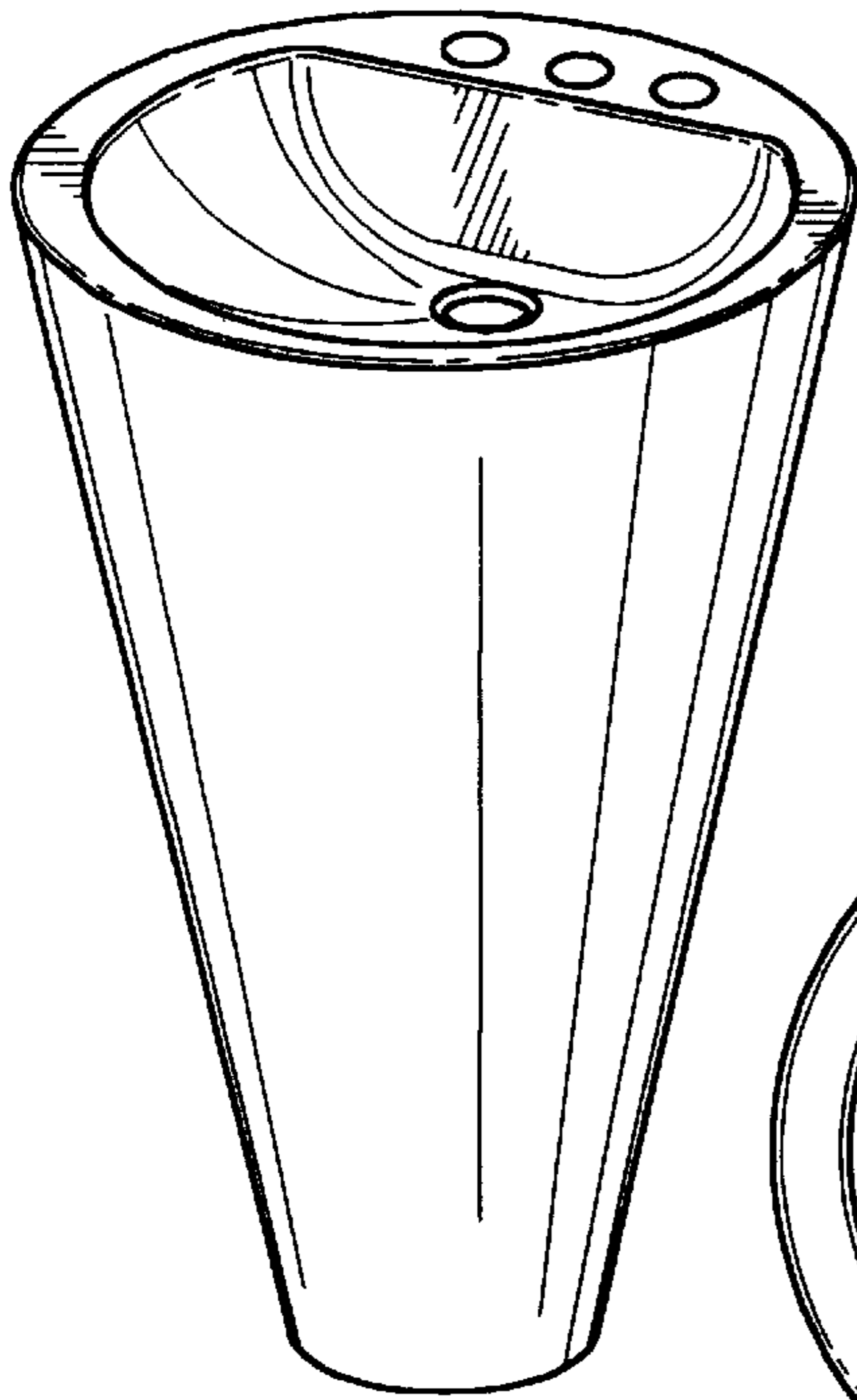


FIG. 6

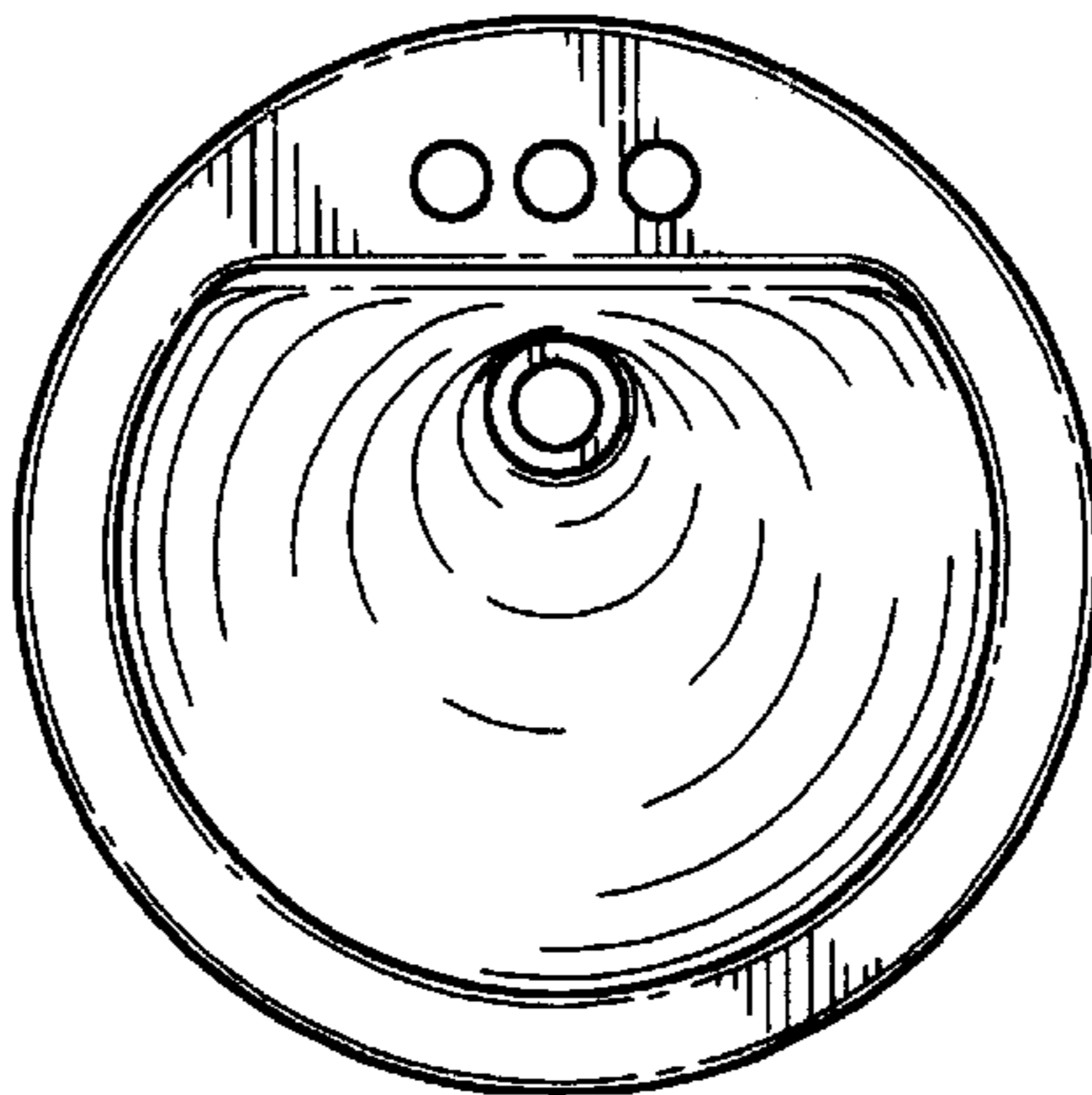


FIG. 7



FIG. 8

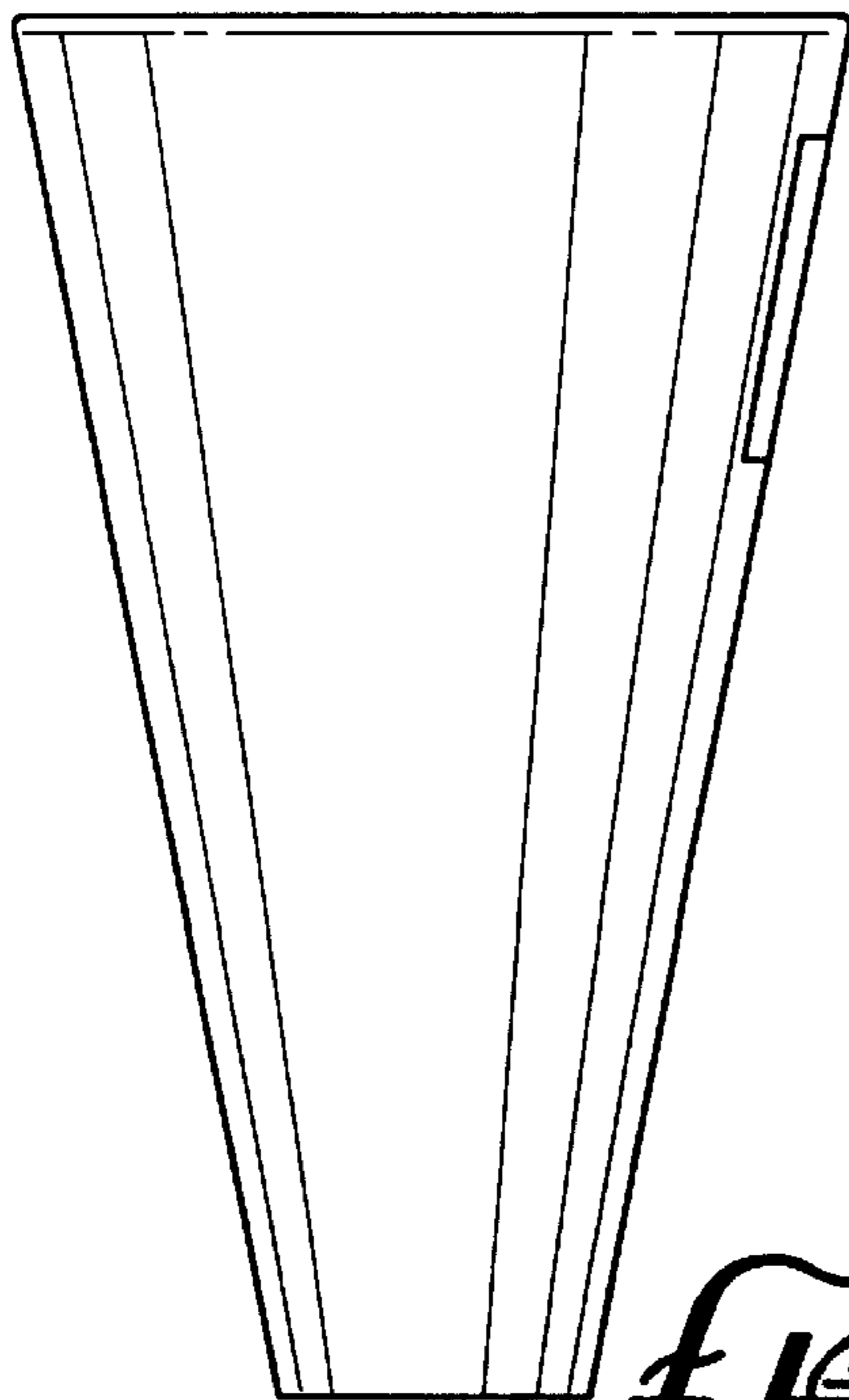


FIG. 9

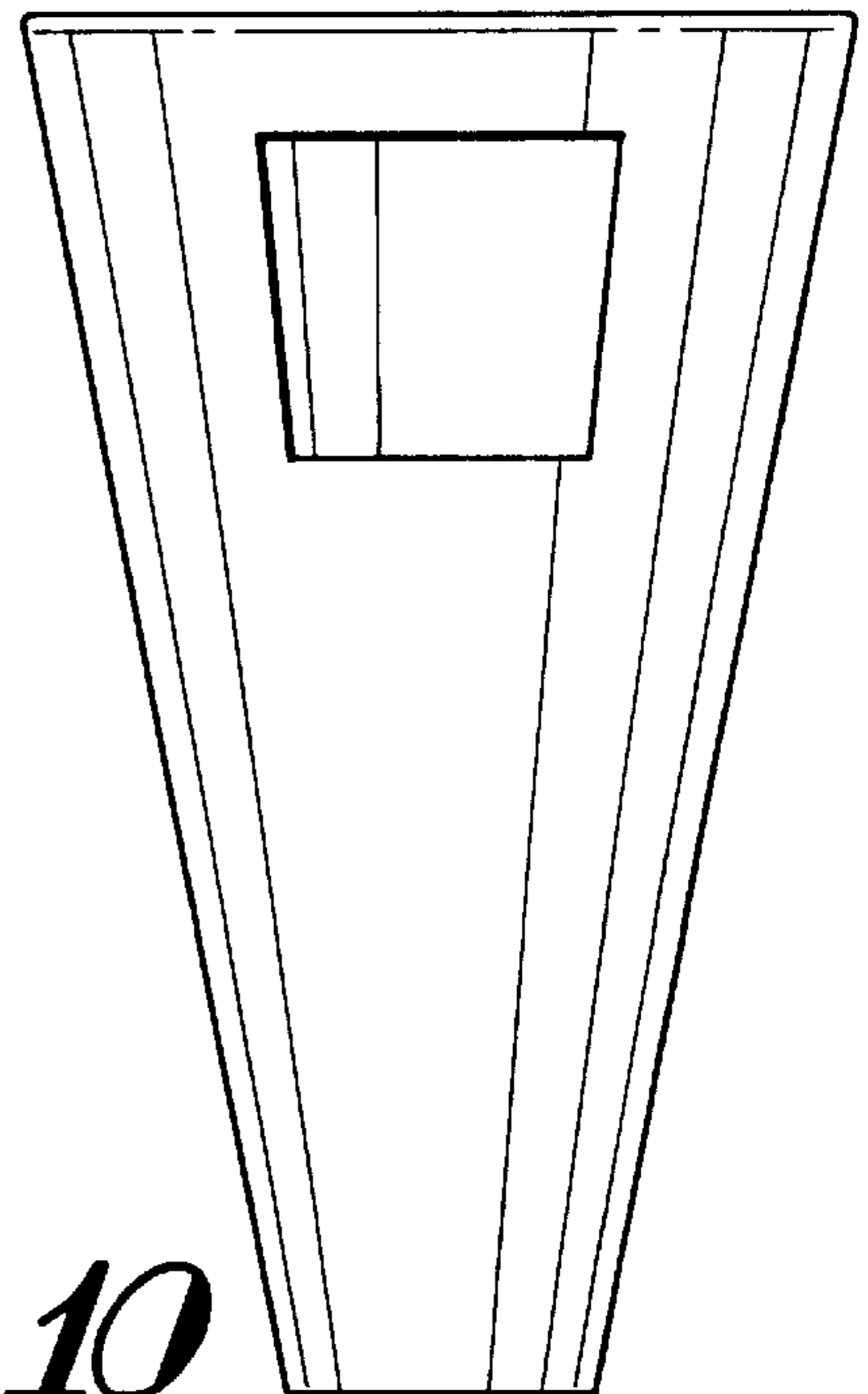


FIG. 10