



US00D433742S

# United States Patent [19]

Millard et al.

[11] **Patent Number: Des. 433,742**

[45] **Date of Patent: \*\* Nov. 14, 2000**

[54] **LAVATORY**

[75] Inventors: **Theresa J. Millard**, Sheboygan Falls;  
**Mary J. Reid**, Sheboygan, both of Wis.

[73] Assignee: **Kohler Co.**, Kohler, Wis.

[\*\*] Term: **14 Years**

[21] Appl. No.: **29/121,377**

[22] Filed: **Apr. 5, 2000**

[51] **LOC (7) Cl.** ..... **23-02**

[52] **U.S. Cl.** ..... **D23/293.1**

[58] **Field of Search** ..... D23/284, 285,  
D23/293.1; 4/619, 660

[56] **References Cited**

**U.S. PATENT DOCUMENTS**

- D. 232,638 9/1974 Mather ..... D23/284
- D. 422,062 3/2000 Formgren ..... D23/293.1

**OTHER PUBLICATIONS**

Undated Kohler catalog ad, p. 14.9, showing "Iron Bell" lavatory.  
 Undated Kohler catalog ad, p. 14.24, showing "Linia" lavatory.

*Primary Examiner*—Doris Clark  
*Attorney, Agent, or Firm*—Quarles & Brady LLP

[57] **CLAIM**

The ornamental design for a lavatory, as shown and described.

**DESCRIPTION**

FIG. 1 is a left, top, front perspective view of a lavatory embodying our new design;

FIG. 2 is a top plan view thereof;

FIG. 3 is a front elevational view thereof, the rear elevational view being identical to the front elevational view shown;

FIG. 4 is a right side elevational view thereof, the left side elevational view being identical to the right side shown;

FIG. 5 is a bottom plan view thereof; and,

FIG. 6 is a cross-sectional view thereof taken along line 6—6 of FIG. 2.

**1 Claim, 3 Drawing Sheets**

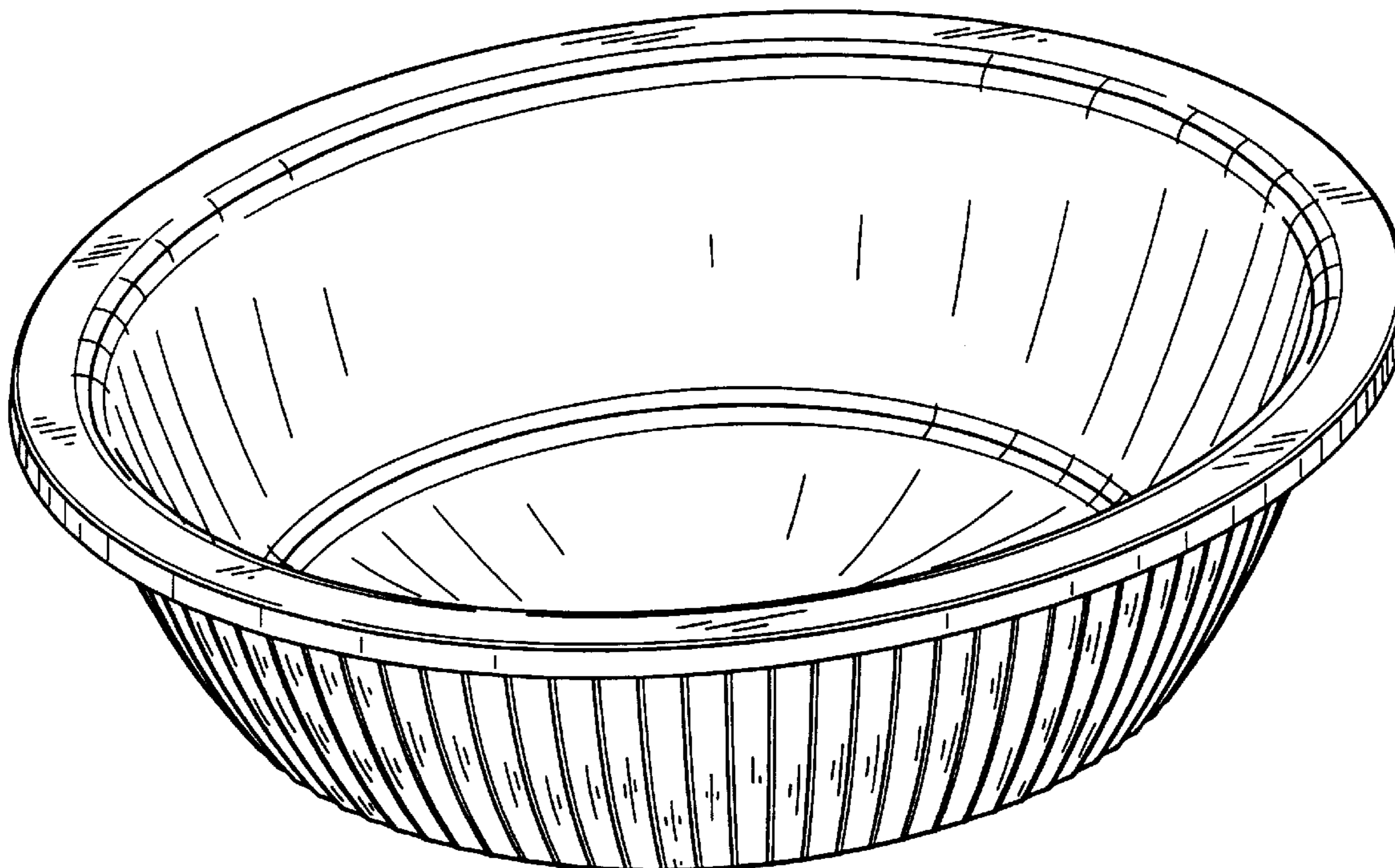


FIG. 1

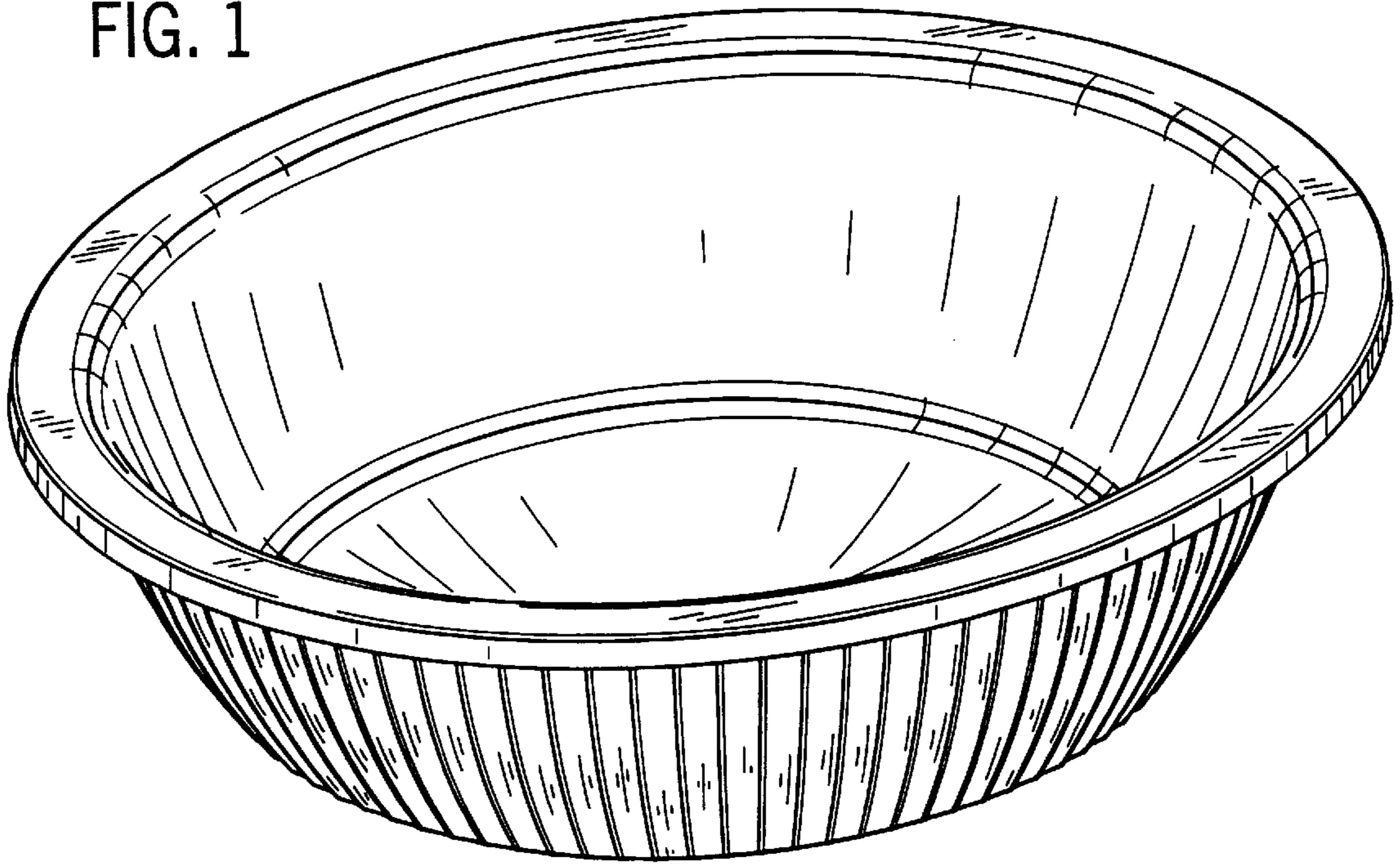


FIG. 2

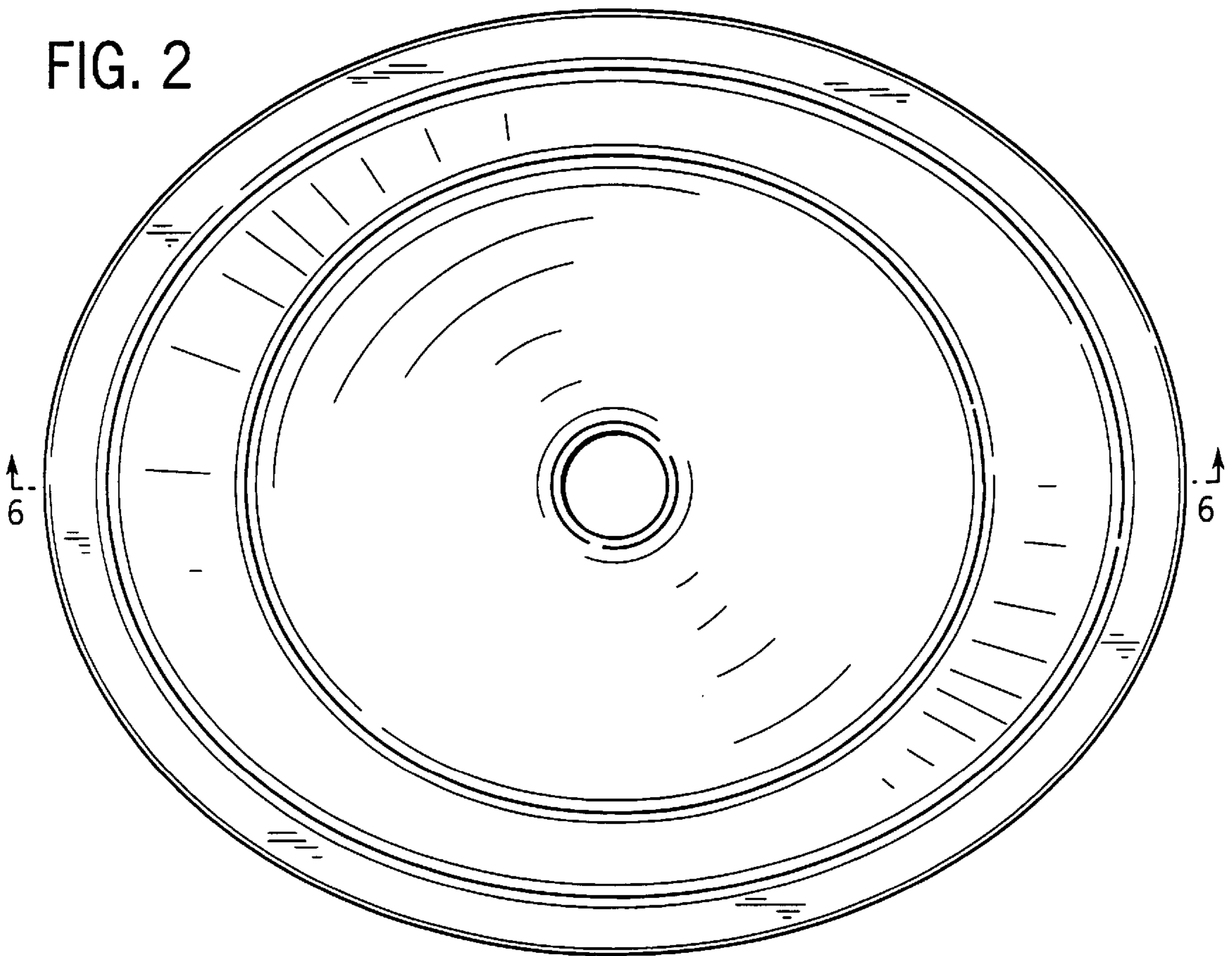


FIG. 3

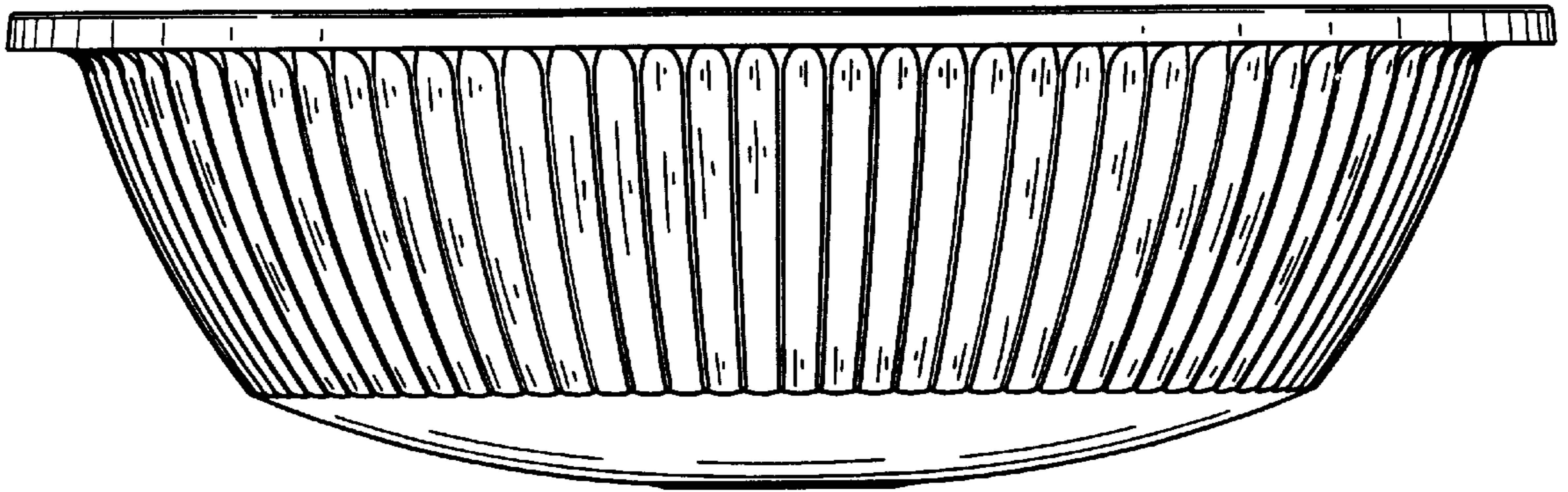


FIG. 4

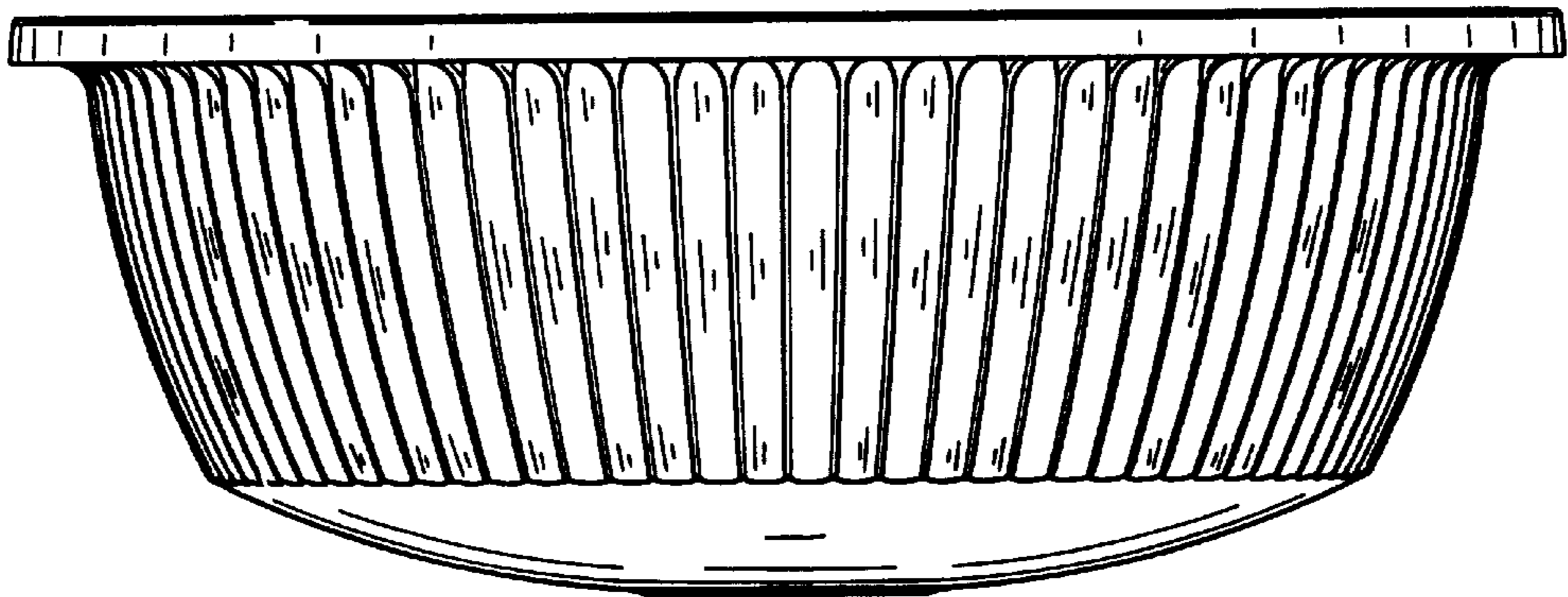


FIG. 5

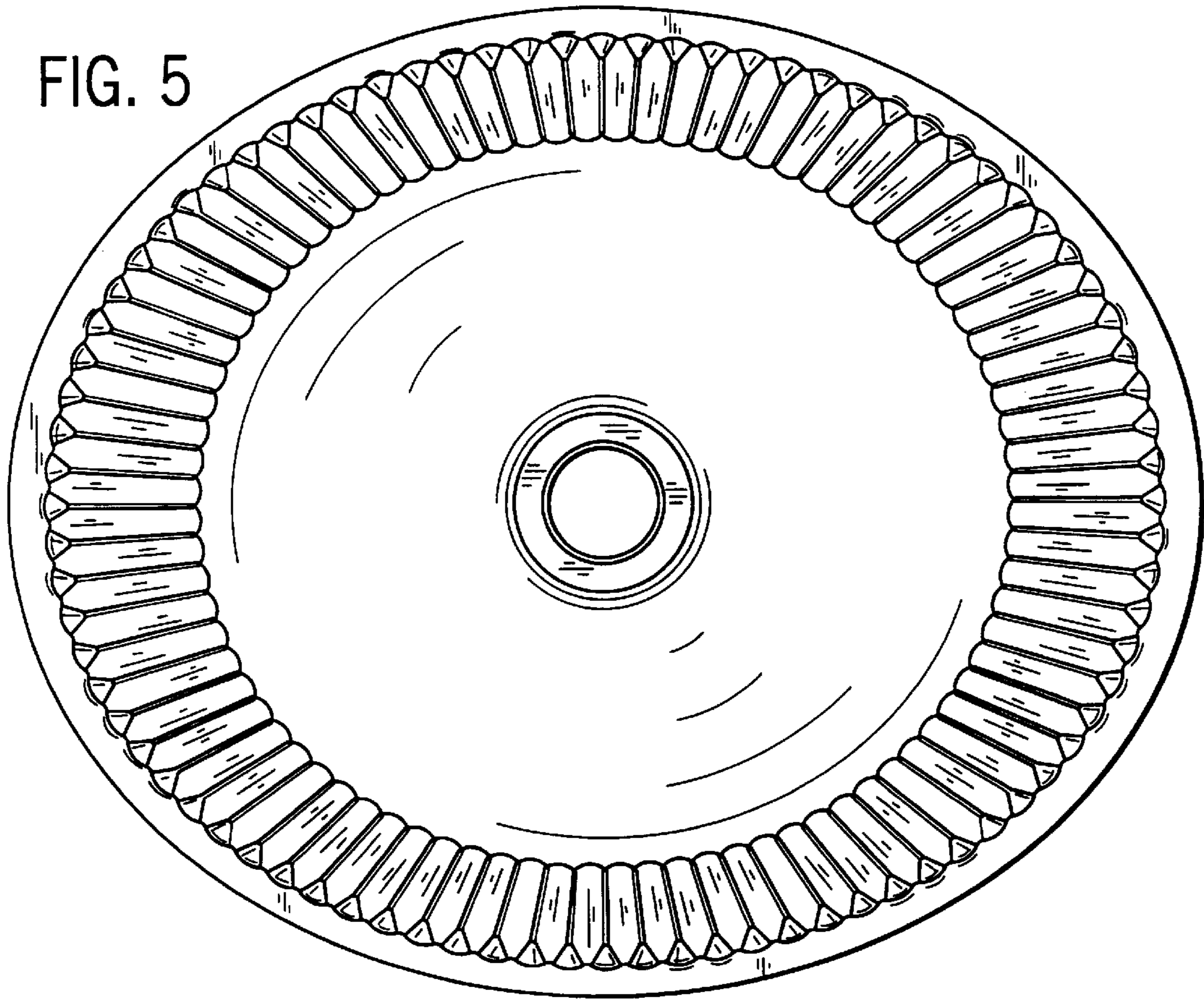


FIG. 6

