



US00D433741S

United States Patent [19]
Singer

[11] **Patent Number: Des. 433,741**

[45] **Date of Patent: ** Nov. 14, 2000**

[54] **SINK BOWL**

[75] Inventor: **Larry Singer**, Boca Raton, Fla.

[73] Assignee: **Mills Pride, LLP**, West Palm Beach, Fla.

[**] Term: **14 Years**

[21] Appl. No.: **29/117,692**

[22] Filed: **Jan. 27, 2000**

[51] **LOC (7) Cl.** **25-02**

[52] **U.S. Cl.** **D23/284**

[58] **Field of Search** D23/284, 293.1;
4/619, 660

[56] **References Cited**

U.S. PATENT DOCUMENTS

- D. 314,612 2/1991 Sauter et al. D23/293.1
- D. 337,377 7/1993 Bonnell et al. D23/284
- D. 347,273 5/1994 Wei D23/293.1

Primary Examiner—Doris Clark
Attorney, Agent, or Firm—Mueller and Smith, LPA

[57] **CLAIM**

The ornamental design for sink bowl, as shown and described.

DESCRIPTION

FIG. 1 is a perspective view of the sink bowl showing my new design;

FIG. 2 is a top plan view thereof;

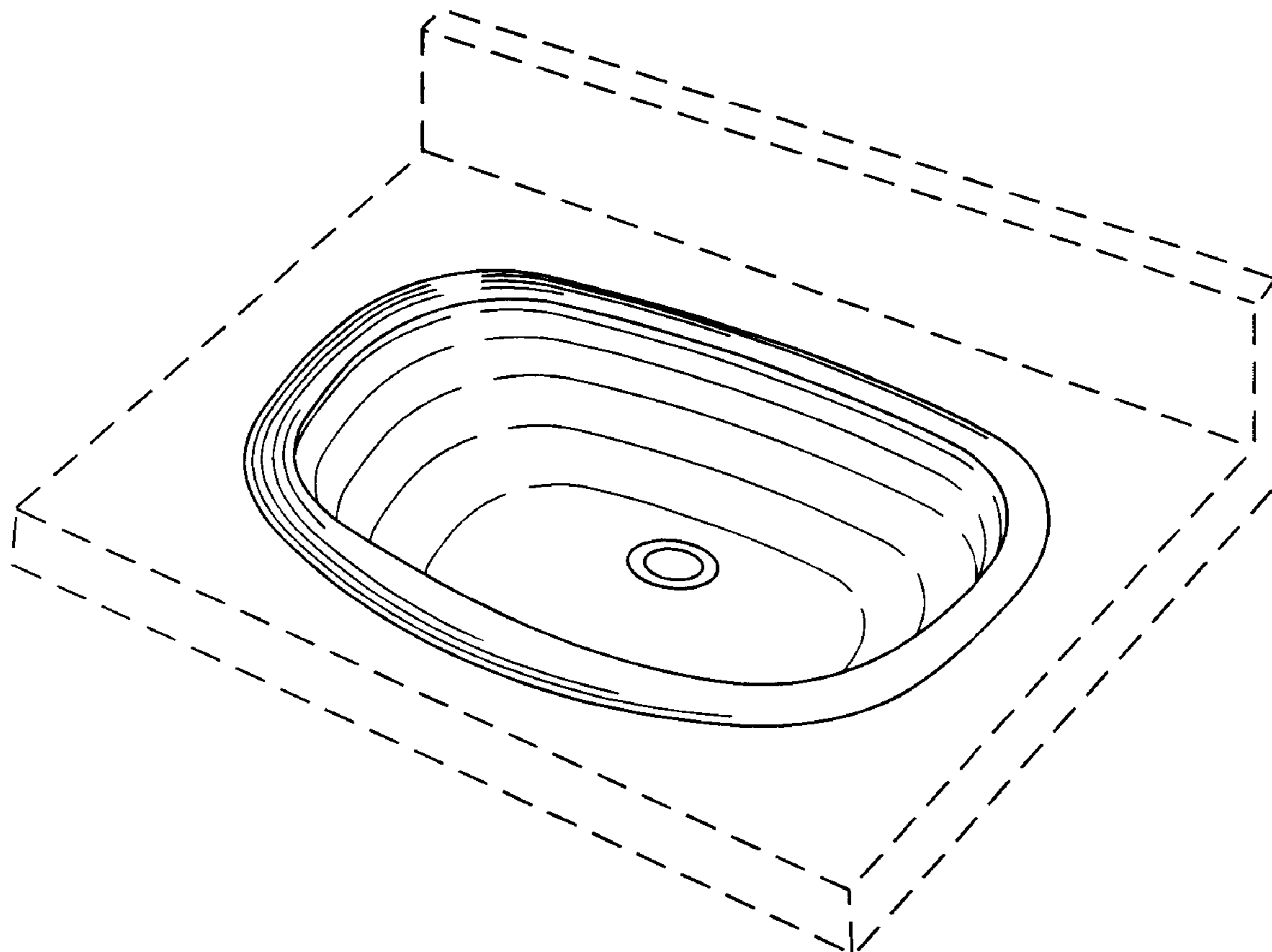
FIG. 3 is a sectional elevational view taken along line 3—3 of FIG. 2;

FIG. 4 is a top plan view of a second embodiment of the sink bowl showing my new design; and,

FIG. 5 is a top plan view of a third embodiment of the sink bowl showing my new design.

The broken lines showing a counter top is for illustrative purposes only and form no part of the claimed design.

1 Claim, 2 Drawing Sheets



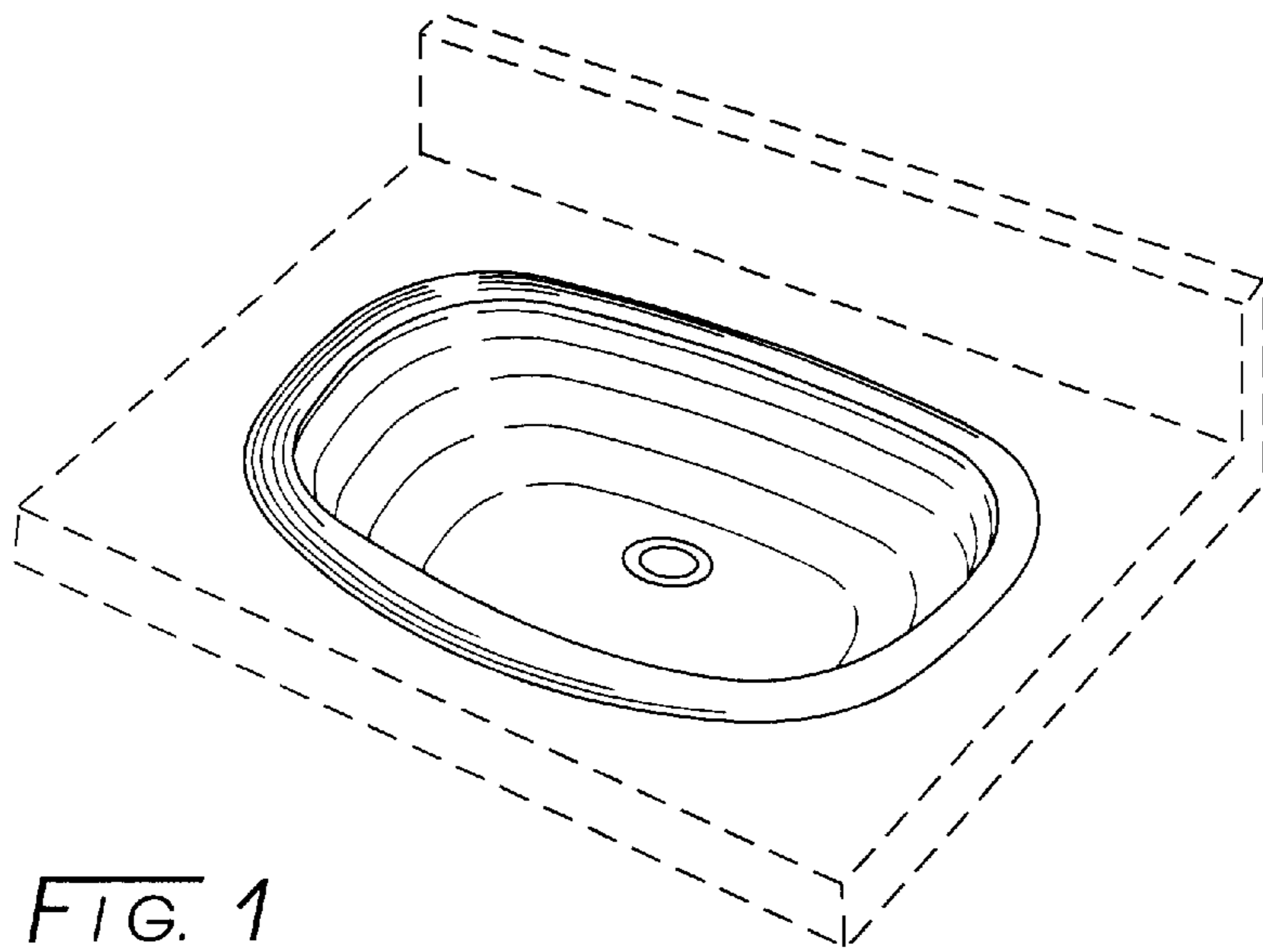


FIG. 1

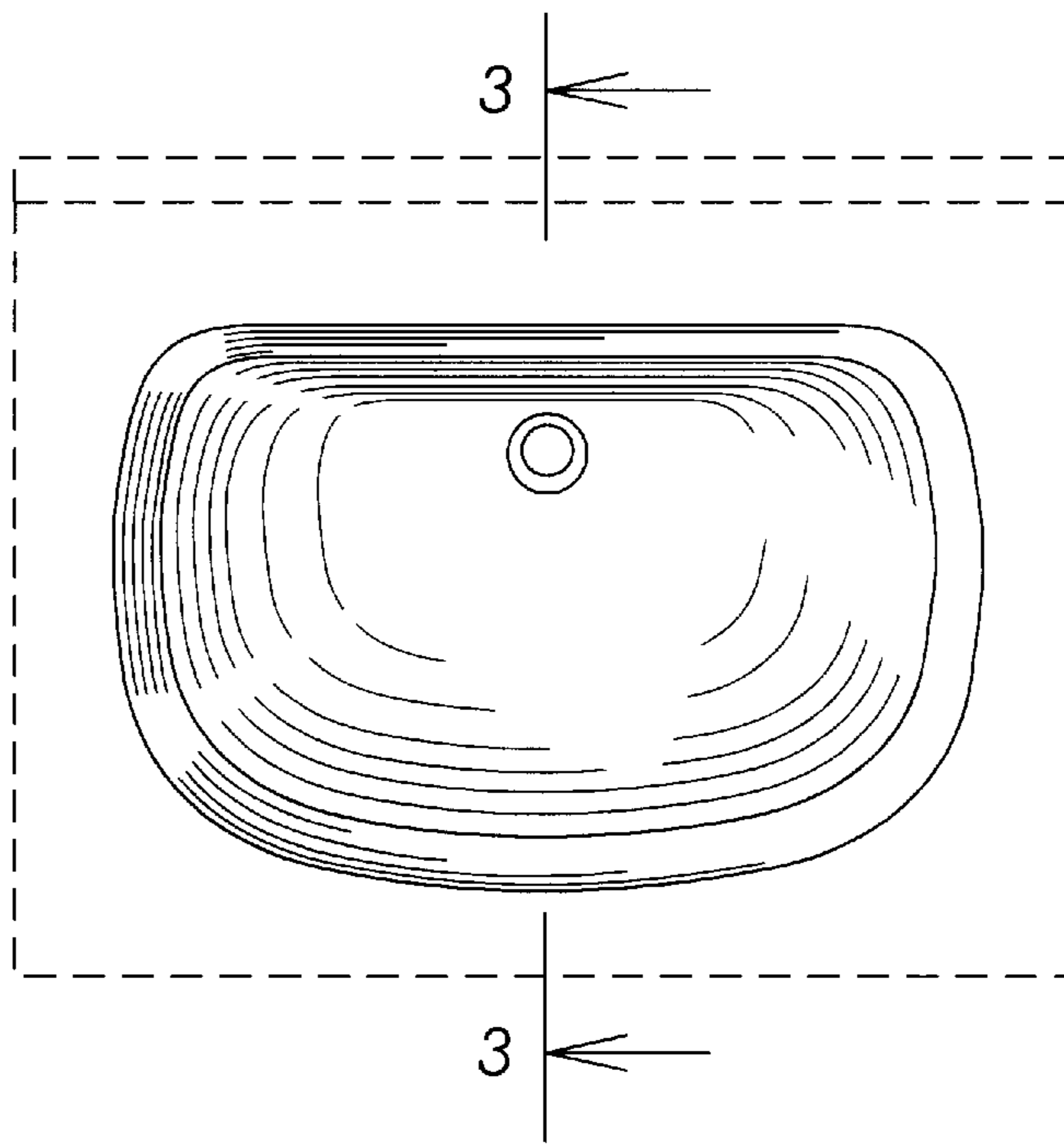


FIG. 2

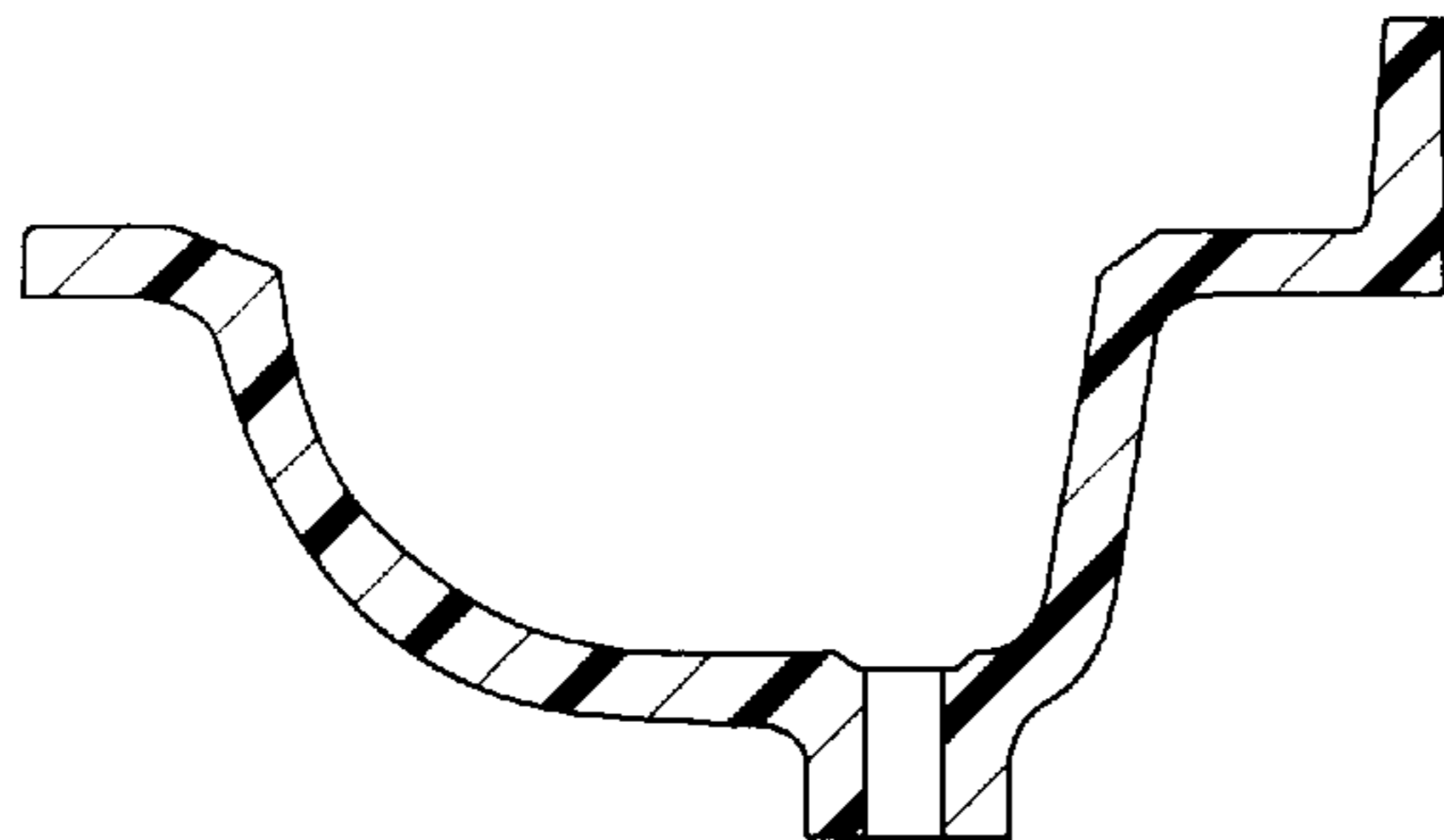


FIG. 3

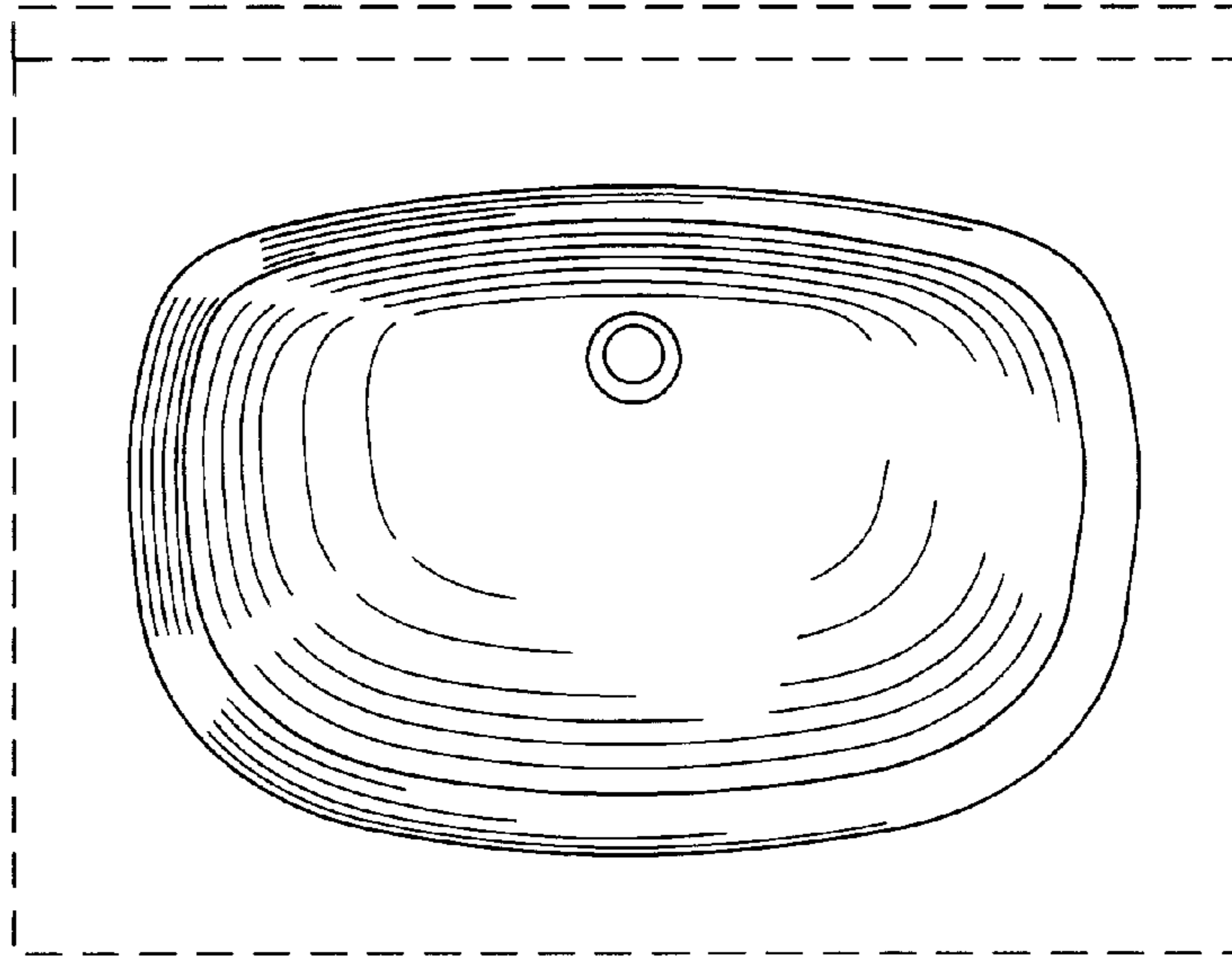


FIG. 4

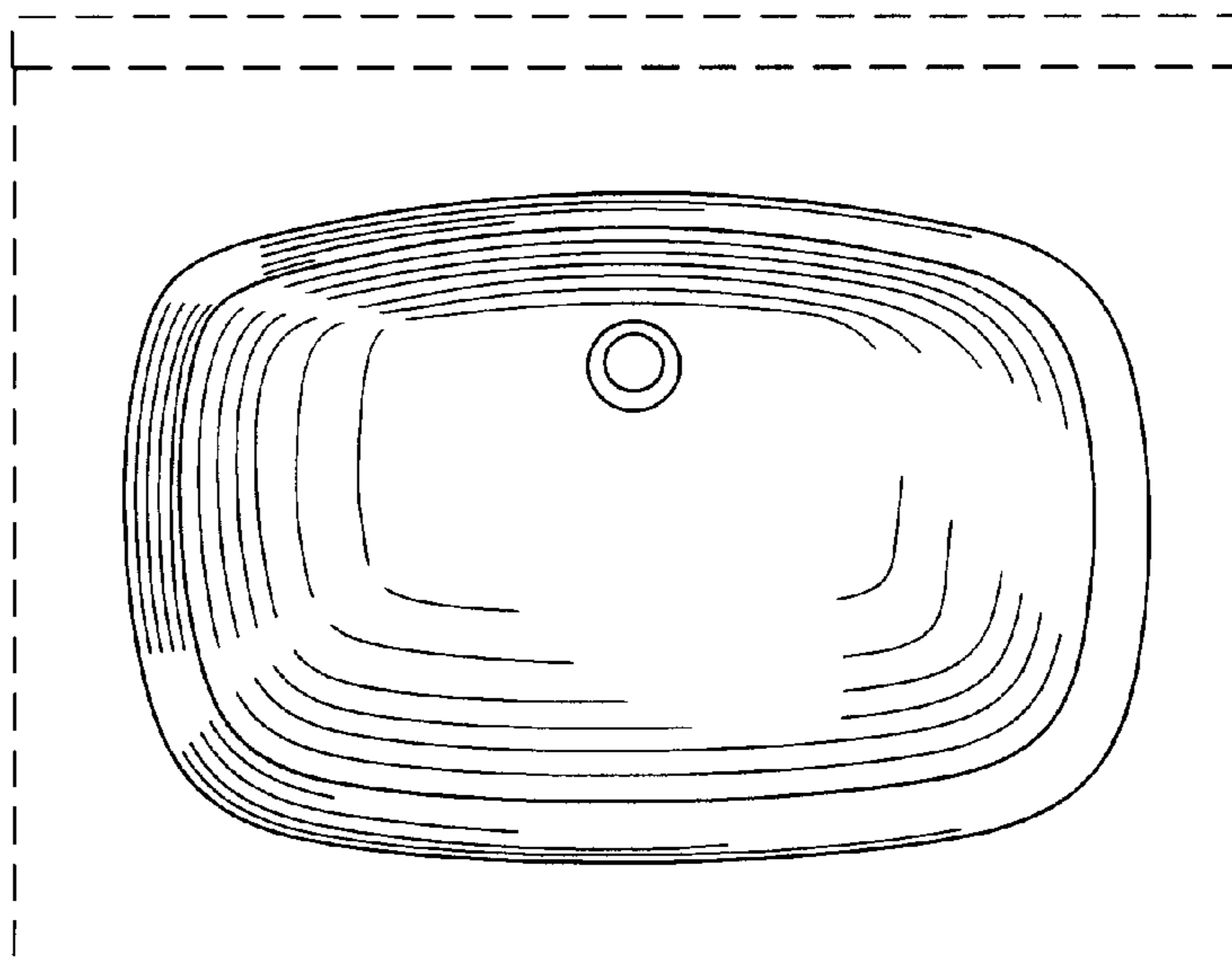


FIG. 5