



US00D433731S

# United States Patent [19] Kolada

[11] **Patent Number: Des. 433,731**

[45] **Date of Patent: \*\* \*Nov. 14, 2000**

[54] **FAUCET BODY**

[75] **Inventor: Paul P. Kolada, Bexley, Ohio**

[73] **Assignee: Symmons Industries, Inc., Braintree, Mass.**

[\*] **Notice:** This patent is subject to a terminal disclaimer.

[\*\*] **Term: 14 Years**

[21] **Appl. No.: 29/112,094**

[22] **Filed: Oct. 8, 1999**

[51] **LOC (7) Cl. .... 23-01**

[52] **U.S. Cl. .... D23/238**

[58] **Field of Search .... D23/238-243, D23/250-257; 4/675-678; 137/801**

[56] **References Cited**

**U.S. PATENT DOCUMENTS**

D. 219,780	1/1971	Niemann	.....	D23/23
D. 295,663	5/1988	Kohler, Jr. et al.	.....	D23/255
D. 323,549	1/1992	Haug et al.	.....	D23/238
D. 323,877	2/1992	Haug et al.	.....	D23/238
D. 325,423	4/1992	Kolada et al.	.....	D23/238
D. 348,923	7/1994	Yost	.....	D23/238
D. 349,153	7/1994	Sauter et al.	.....	D23/238
D. 369,208	4/1996	Doughty et al.	.....	D23/238
D. 370,053	5/1996	Hill et al.	.....	D23/241

D. 381,066	7/1997	Hill et al.	.....	D23/238
D. 388,863	1/1998	Kolada	.....	D23/238
D. 407,795	4/1999	Pitsch	.....	D23/238
D. 408,071	4/1999	Hsu	.....	D23/238
5,031,657	7/1991	Stairs	.....	137/801
5,960,490	10/1999	Pitsch	.....	4/677

**OTHER PUBLICATIONS**

Kohler K-500 Design Manual, p. 4-11, Item No. K-15592-5 the Corllais Single Control Lavatory Faucet, Dec. 1990.

*Primary Examiner*—Louis S. Zarfes  
*Assistant Examiner*—Gregory Andoll  
*Attorney, Agent, or Firm*—Pandiscio & Pandiscio

[57] **CLAIM**

The ornamental design for a faucet body, as shown and described.

**DESCRIPTION**

FIG. 1 is a perspective view of a design of faucet body embodying the invention;

FIG. 2 is a front elevational view of the same faucet body;

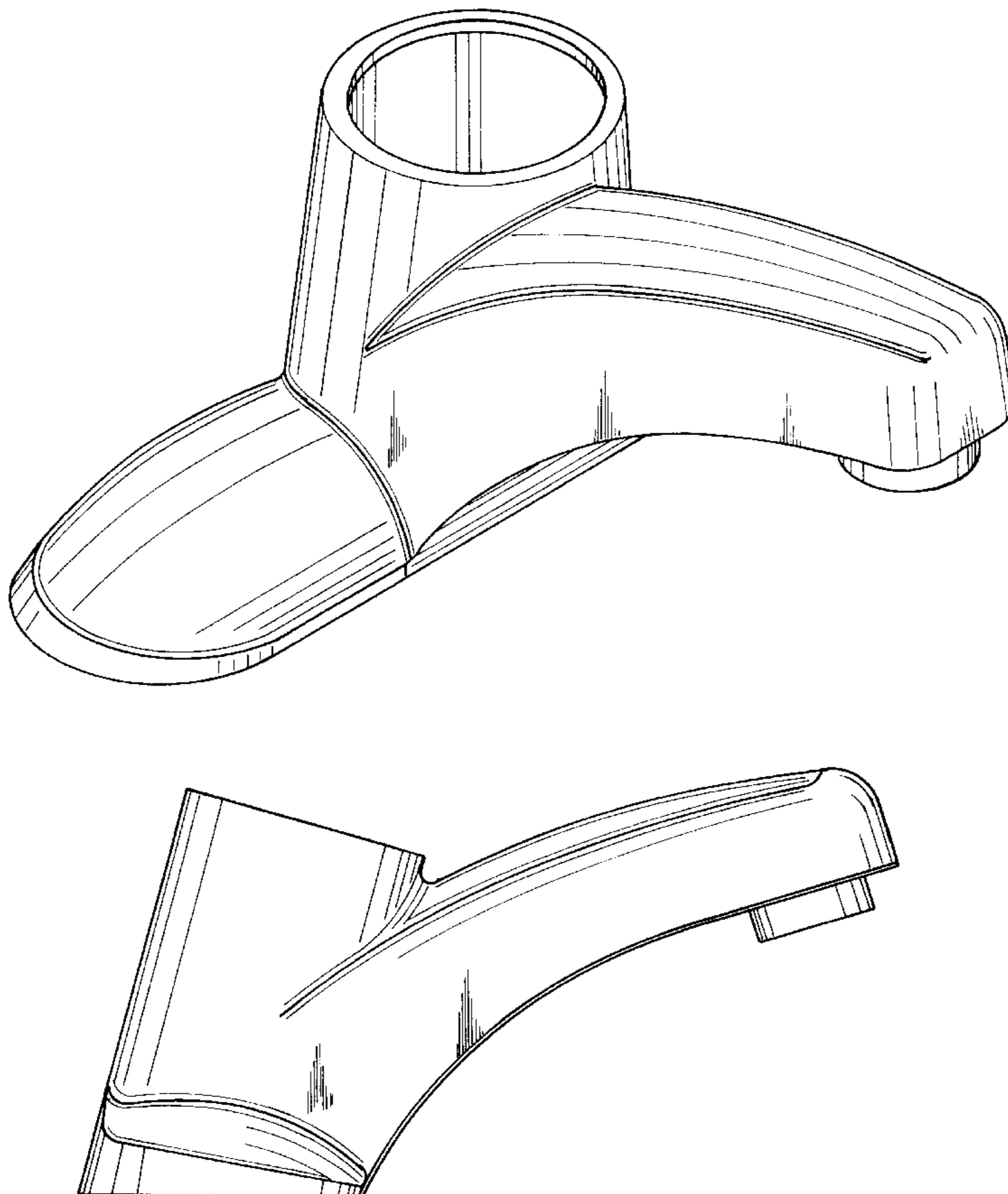
FIG. 3 is a rear elevational view of the same faucet body;

FIG. 4 is a side elevational view of the same faucet body, the other side being a mirror image thereof;

FIG. 5 is a top plan view of the same faucet body; and,

FIG. 6 is a bottom view of the same faucet body.

**1 Claim, 4 Drawing Sheets**



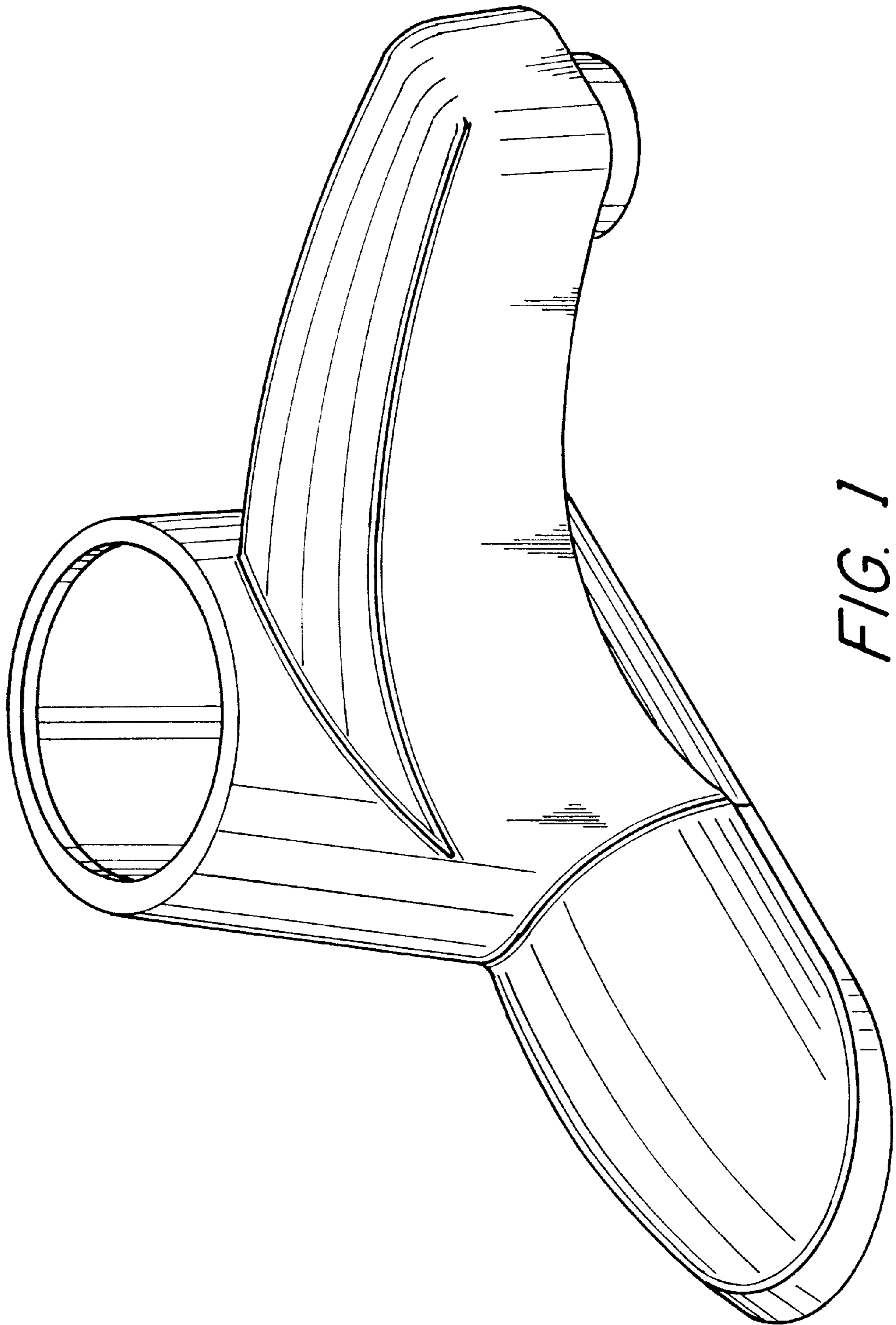
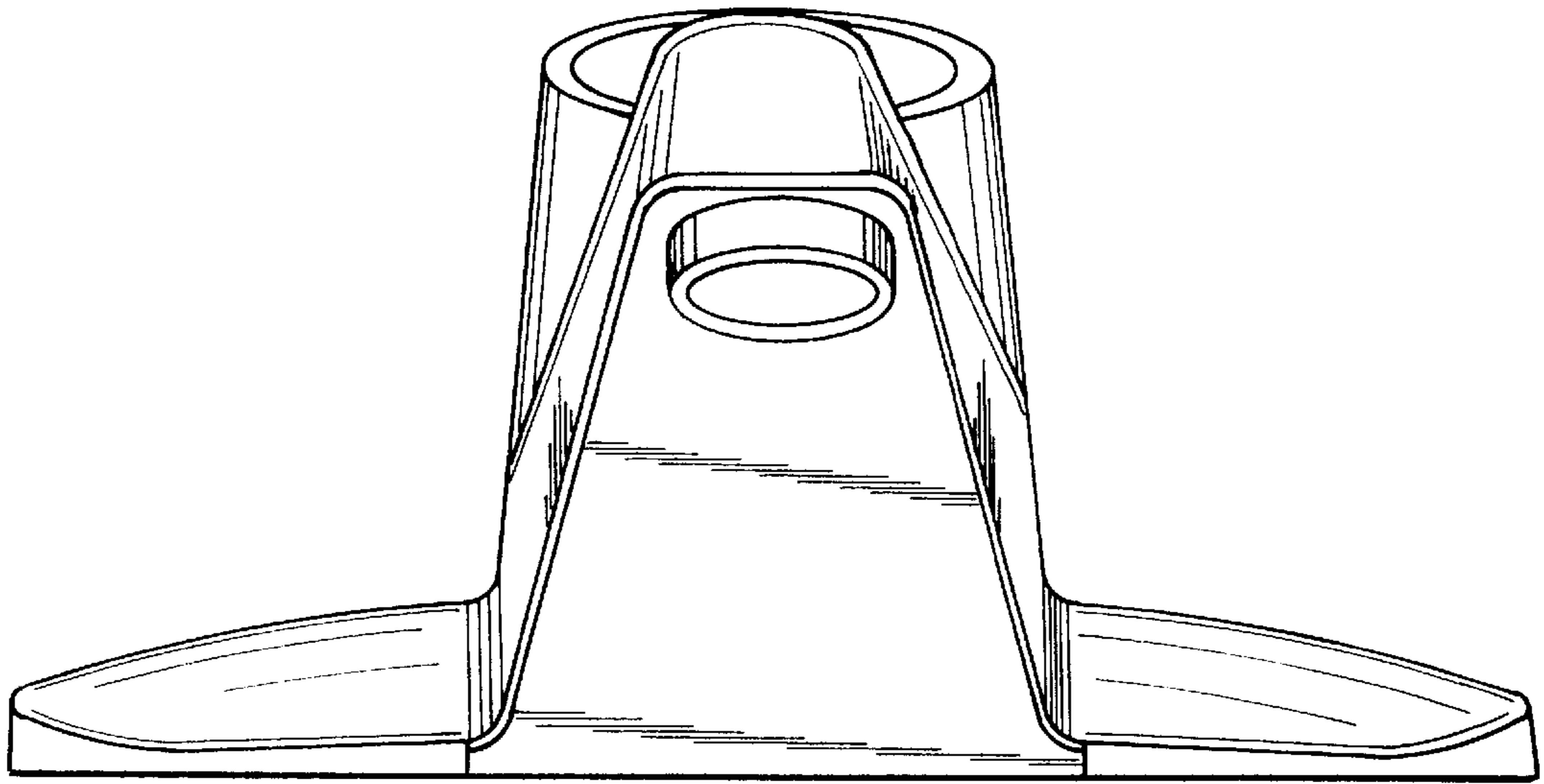
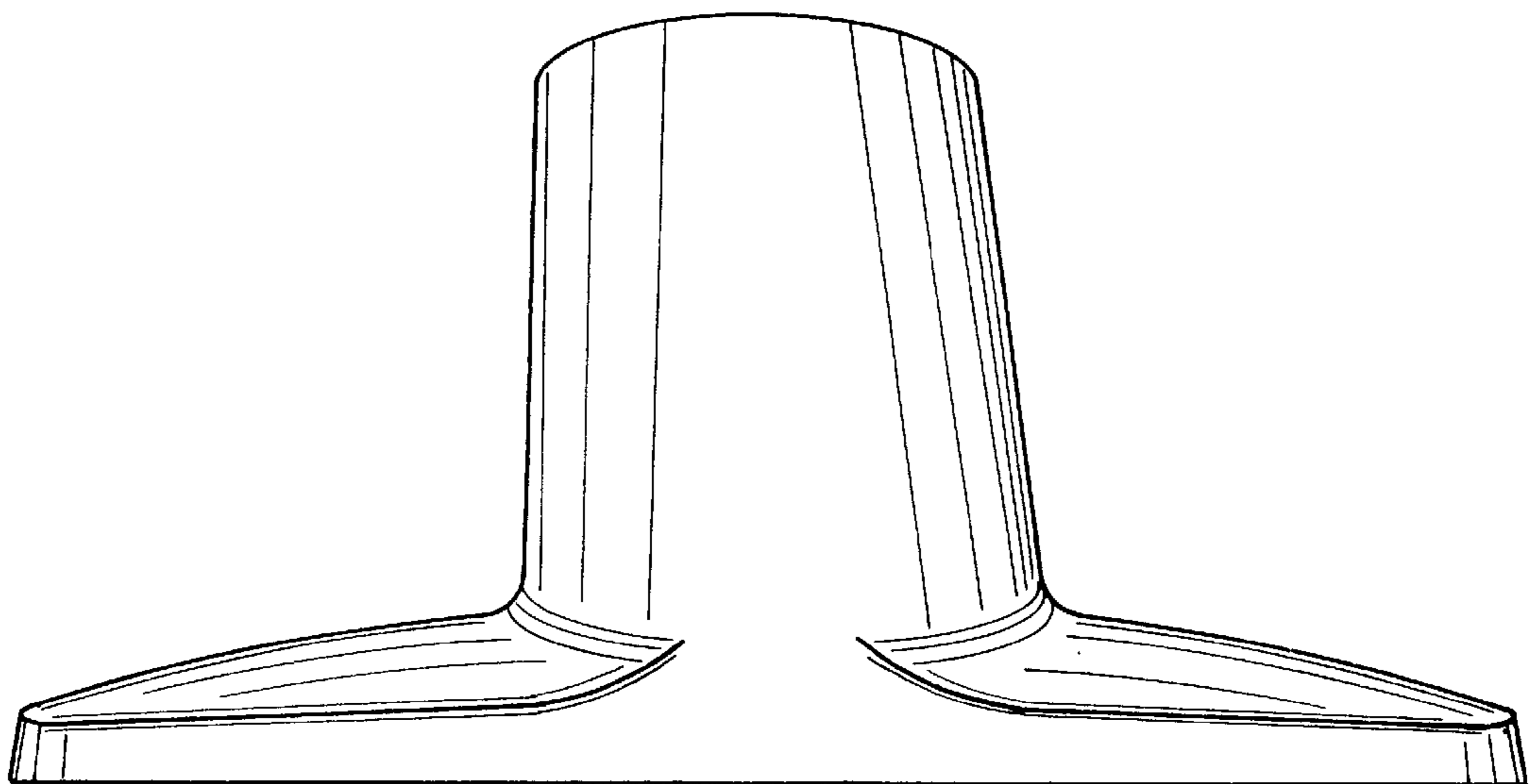


FIG. 1



*FIG. 2*



*FIG. 3*

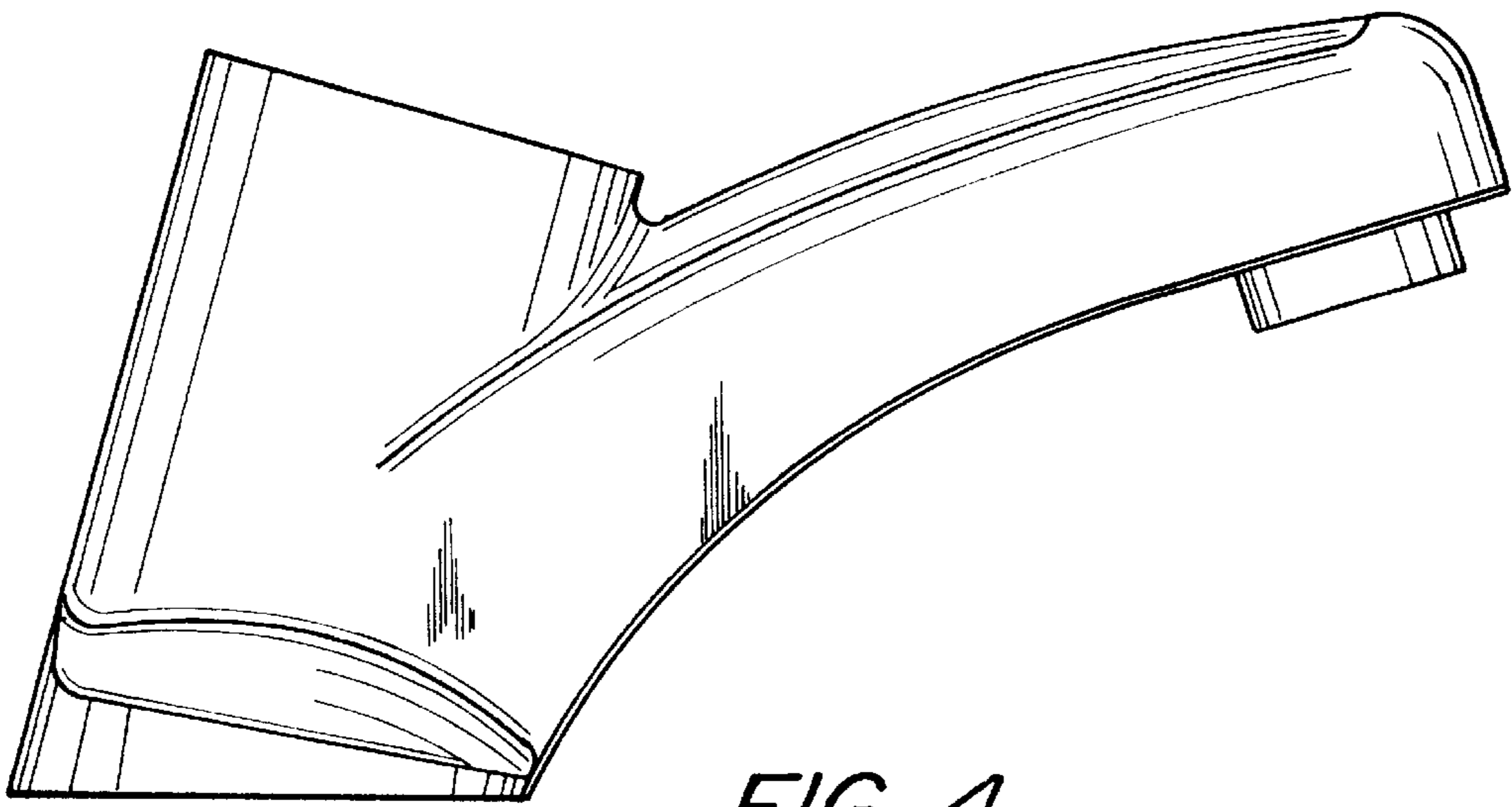


FIG. 4

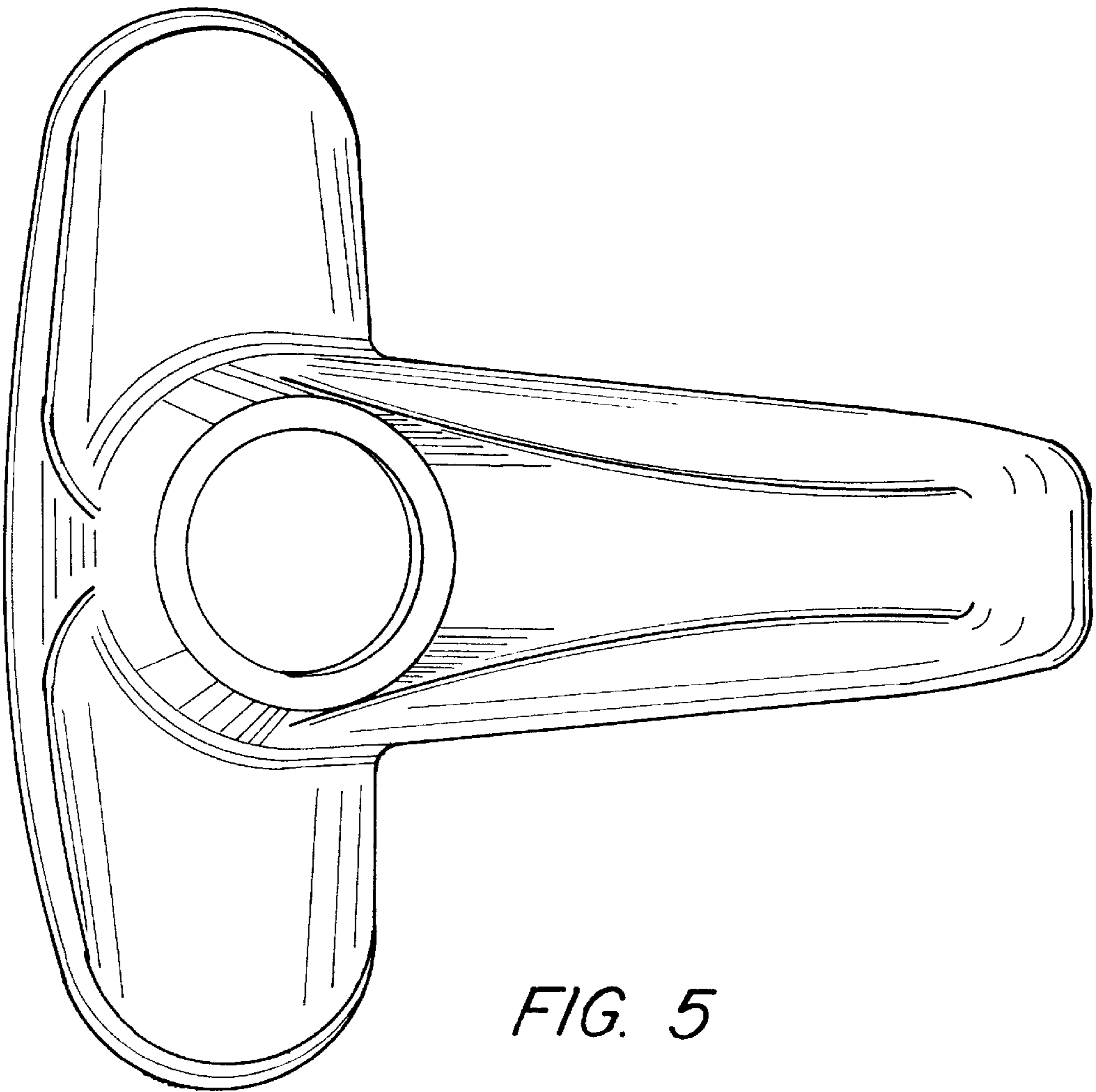


FIG. 5

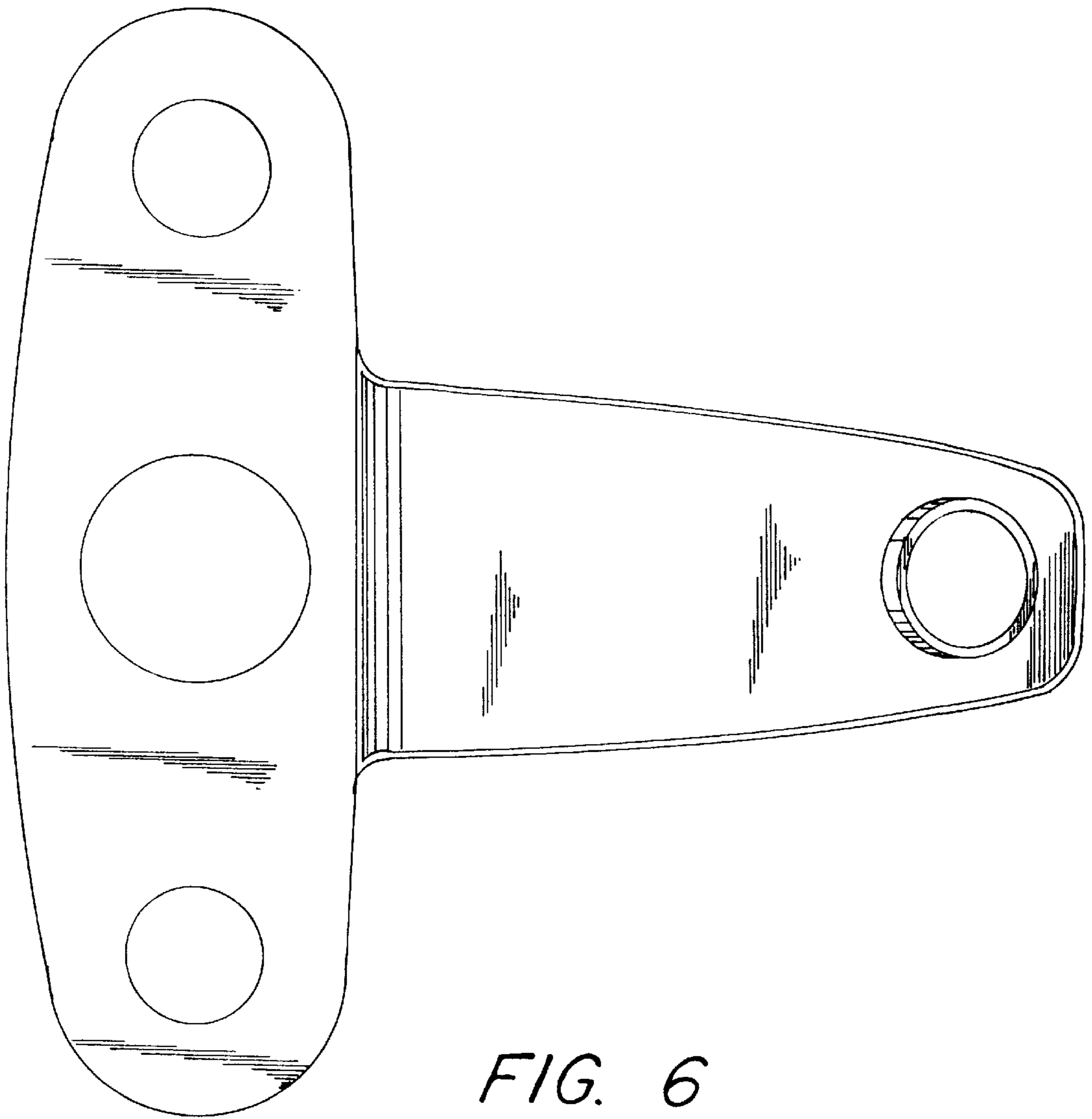


FIG. 6