



US00D433730S

United States Patent [19]

Bergum et al.

[11] Patent Number: **Des. 433,730**

[45] Date of Patent: **** Nov. 14, 2000**

[54] VALVE BODY

[75] Inventors: **Glenn R. Bergum**, St. Anthony Village;
Gregory G. Meyer, Edina, both of
Minn.

[73] Assignee: **Honeywell Inc.**, Minneapolis, Minn.

[**] Term: **14 Years**

[21] Appl. No.: **29/120,758**

[22] Filed: **Mar. 24, 2000**

Related U.S. Application Data

[62] Division of application No. 29/097,926, Dec. 17, 1998.

[51] LOC (7) Cl. **23-01**

[52] U.S. Cl. **D23/233**

[58] Field of Search D23/233-237,
D23/245; 137/884, 454.2, 331

[56] References Cited

U.S. PATENT DOCUMENTS

- D. 351,897 10/1994 Keeslar .
- D. 362,294 9/1995 Skaer et al. .
- D. 394,700 5/1998 Emmins .
- D. 403,409 12/1998 Dean et al. .

- 5,383,646 1/1995 Weingarten 251/331
- 5,909,747 8/1999 Schieber 251/331
- 6,024,123 2/2000 Weissfloch et al. 251/331

Primary Examiner—Robin V. Taylor
Attorney, Agent, or Firm—Charles L. Rubow

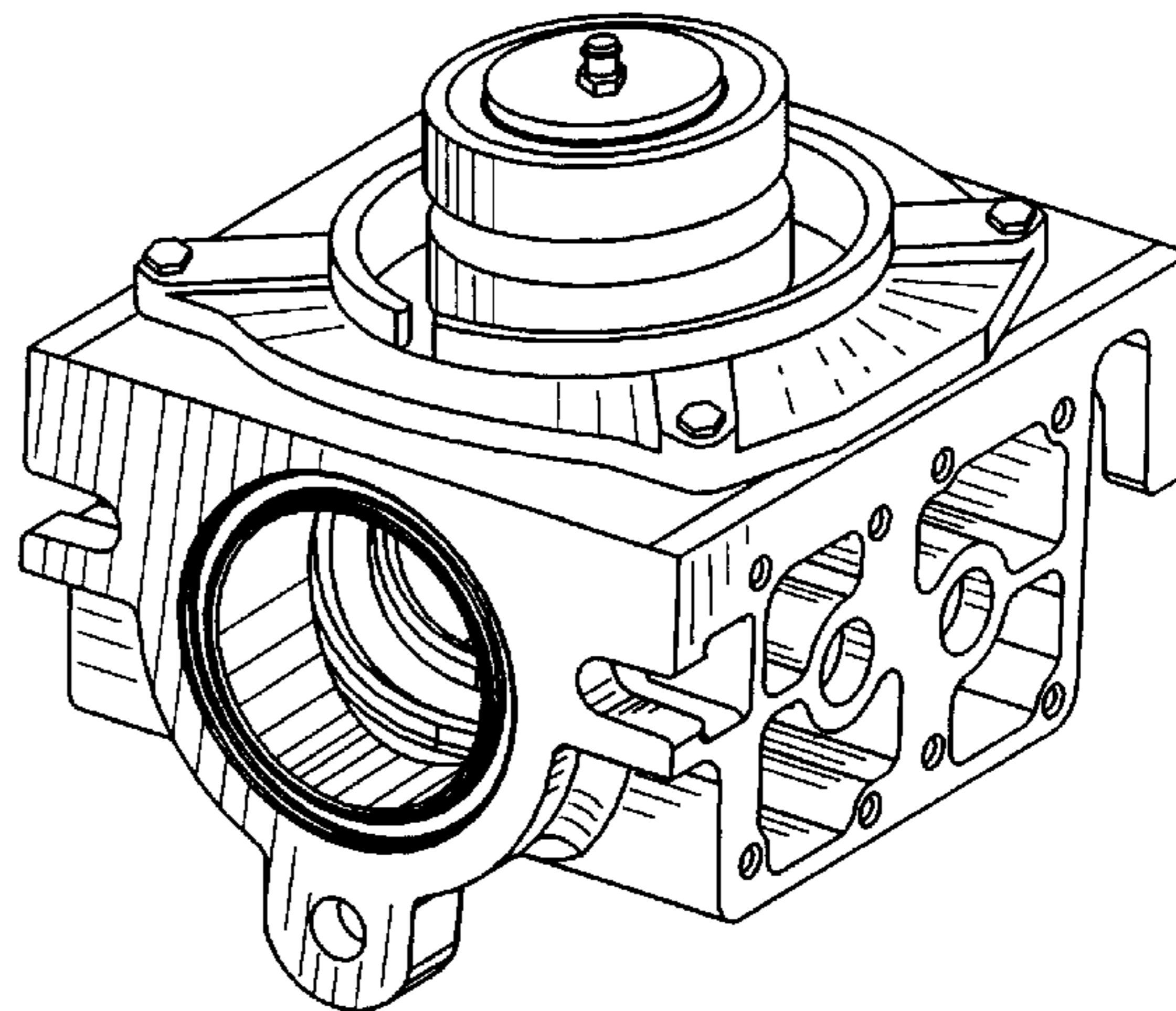
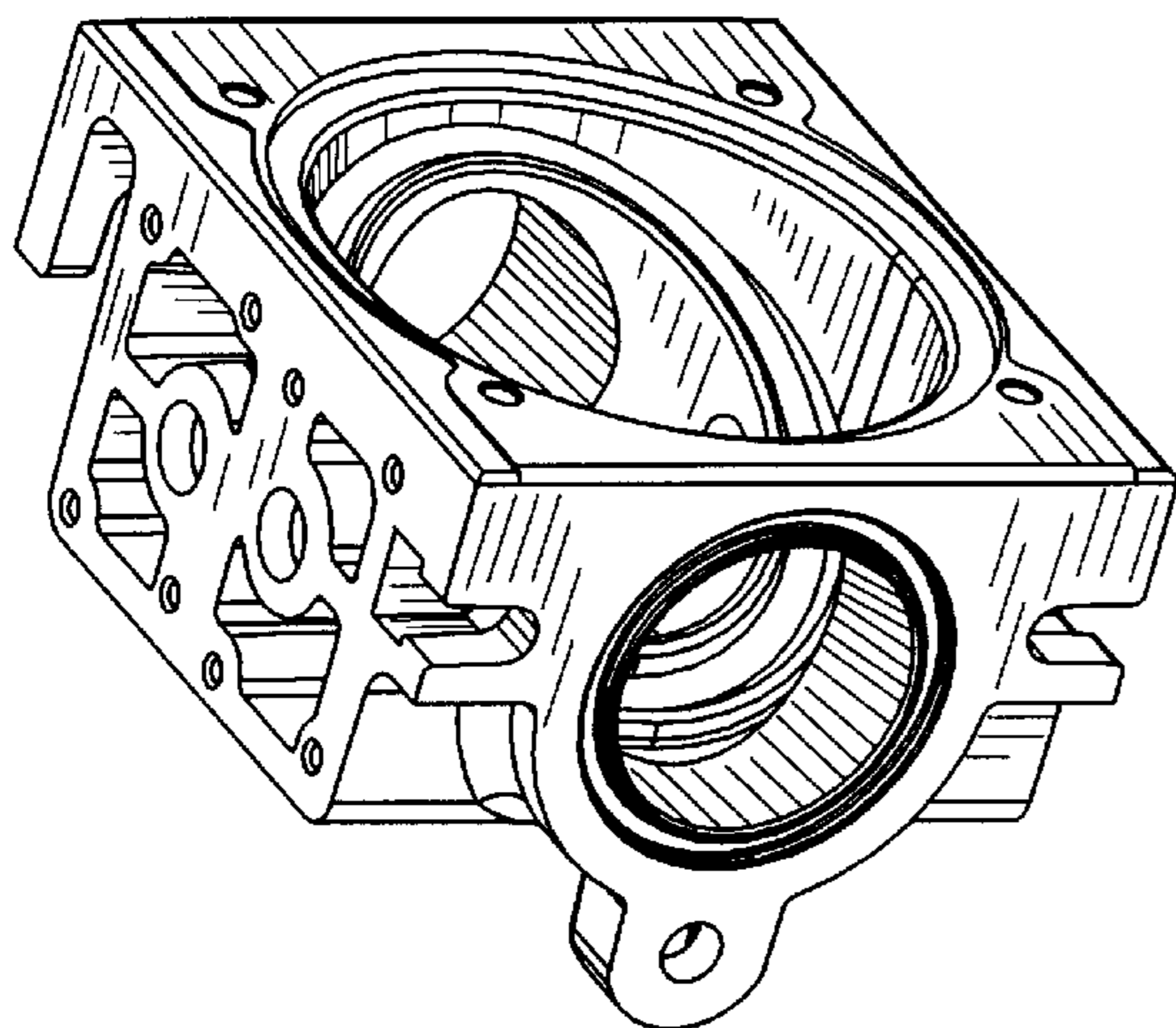
[57] CLAIM

The ornamental design for a valve body, as shown and described.

DESCRIPTION

FIG. 1 is a perspective view, as seen from the top, front and right end of a valve body in accordance with the applicants' design without a valve bonnet in place;
 FIG. 2 is a perspective view, as seen from the, top, rear and right end of the valve body of FIG. 1 with a valve bonnet in place.
 FIG. 3 is a front elevation view of the valve body of FIG. 1;
 FIG. 4 is a left end elevation view of the valve body of FIG. 1;
 FIG. 5 is a top plan view of the valve body of FIG. 1;
 FIG. 6 is a rear elevation view of the valve body of FIG. 1;
 FIG. 7 is a bottom plan view of the valve body of FIG. 1; and,
 FIG. 8 is a right end elevation view of the valve body embodiment of FIG. 1.

1 Claim, 3 Drawing Sheets



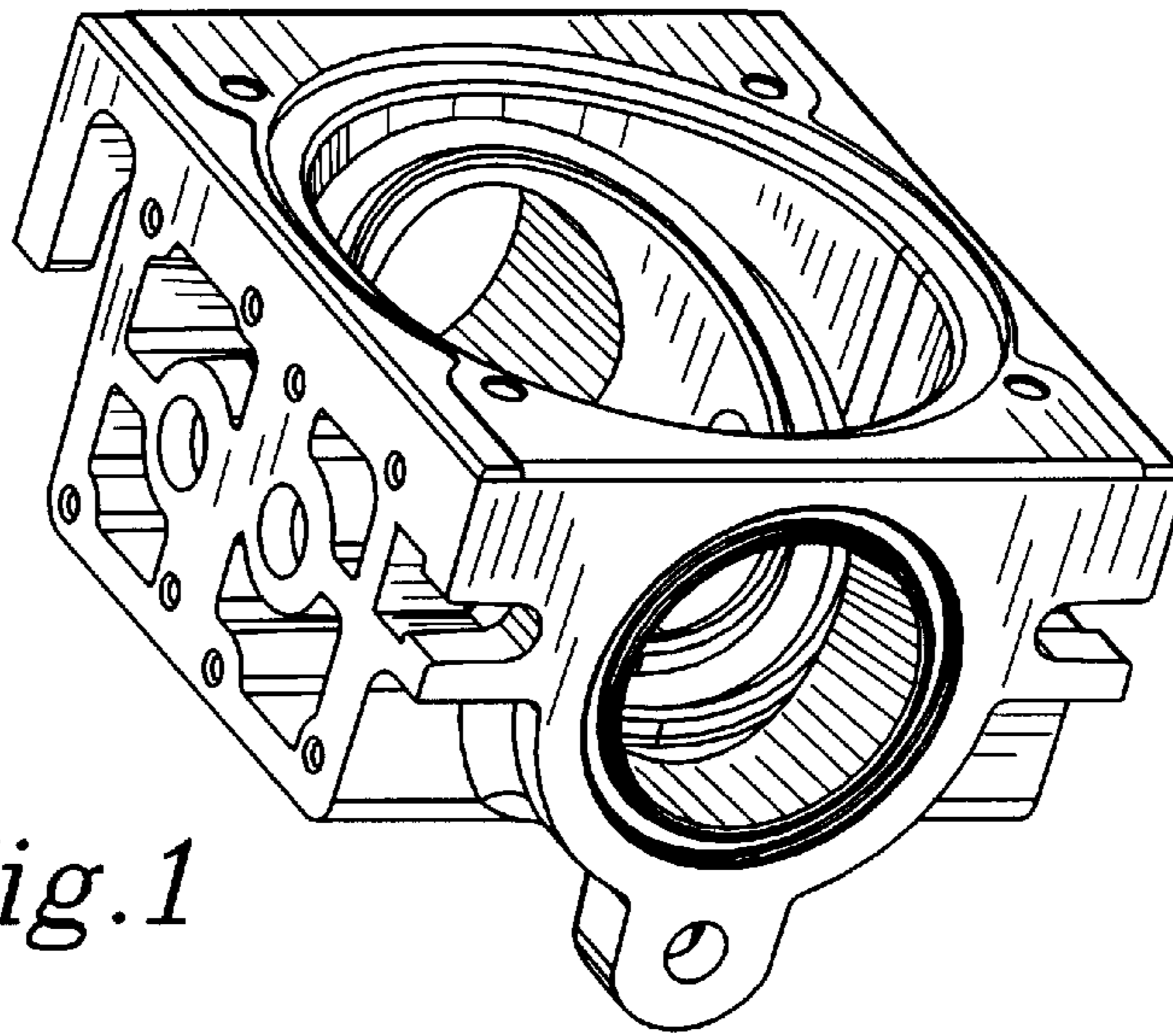


Fig. 1

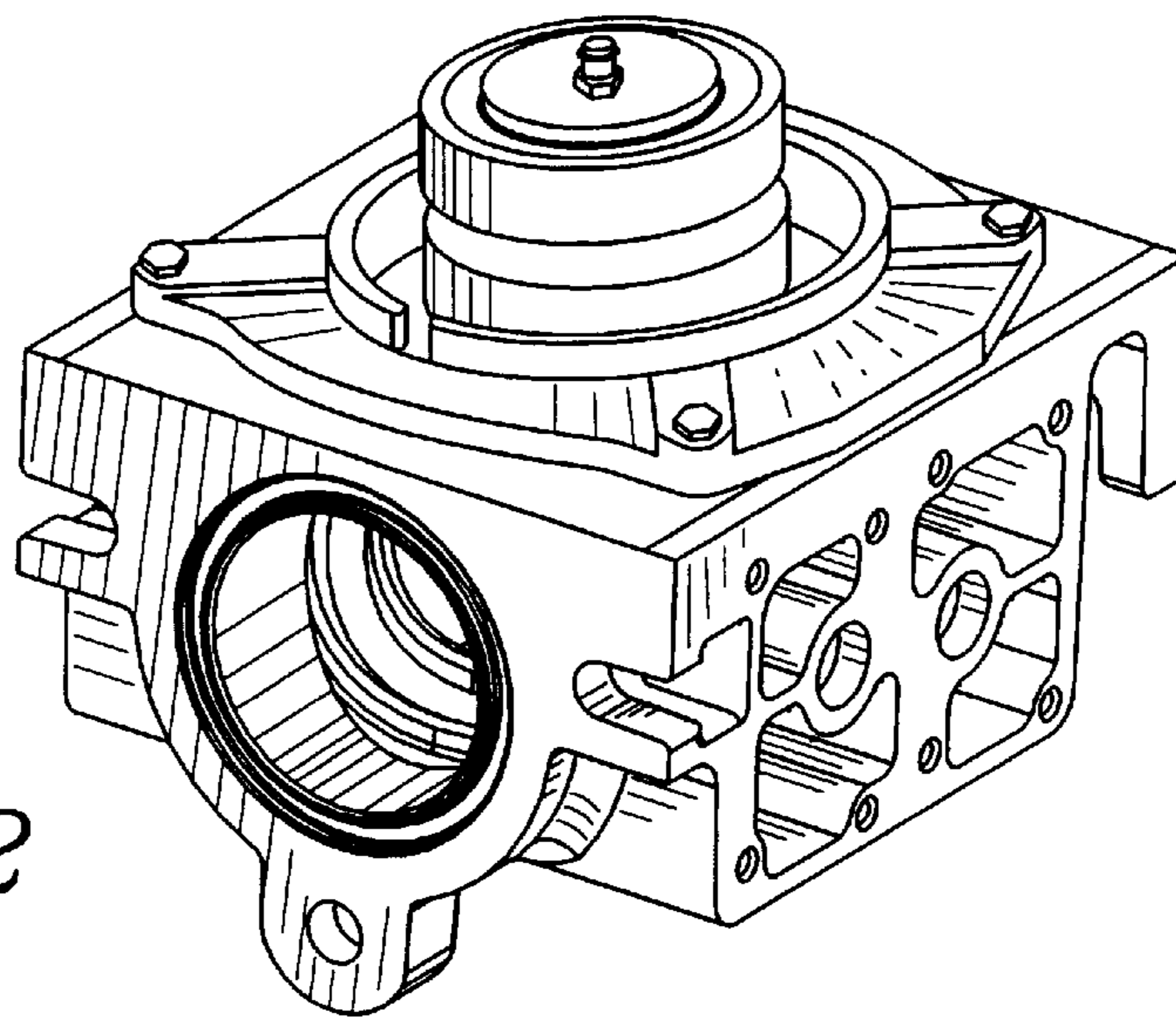


Fig. 2

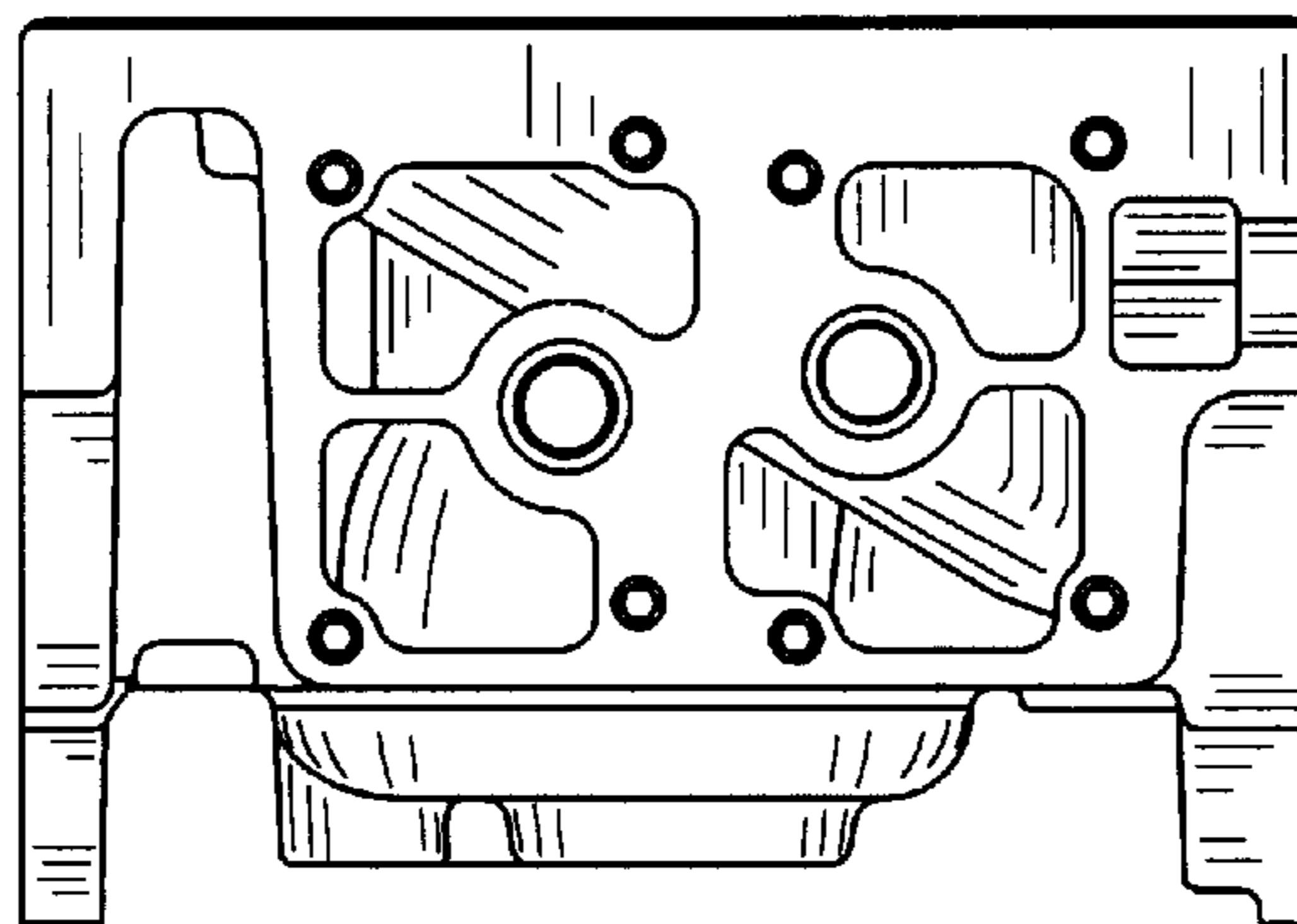


Fig. 3

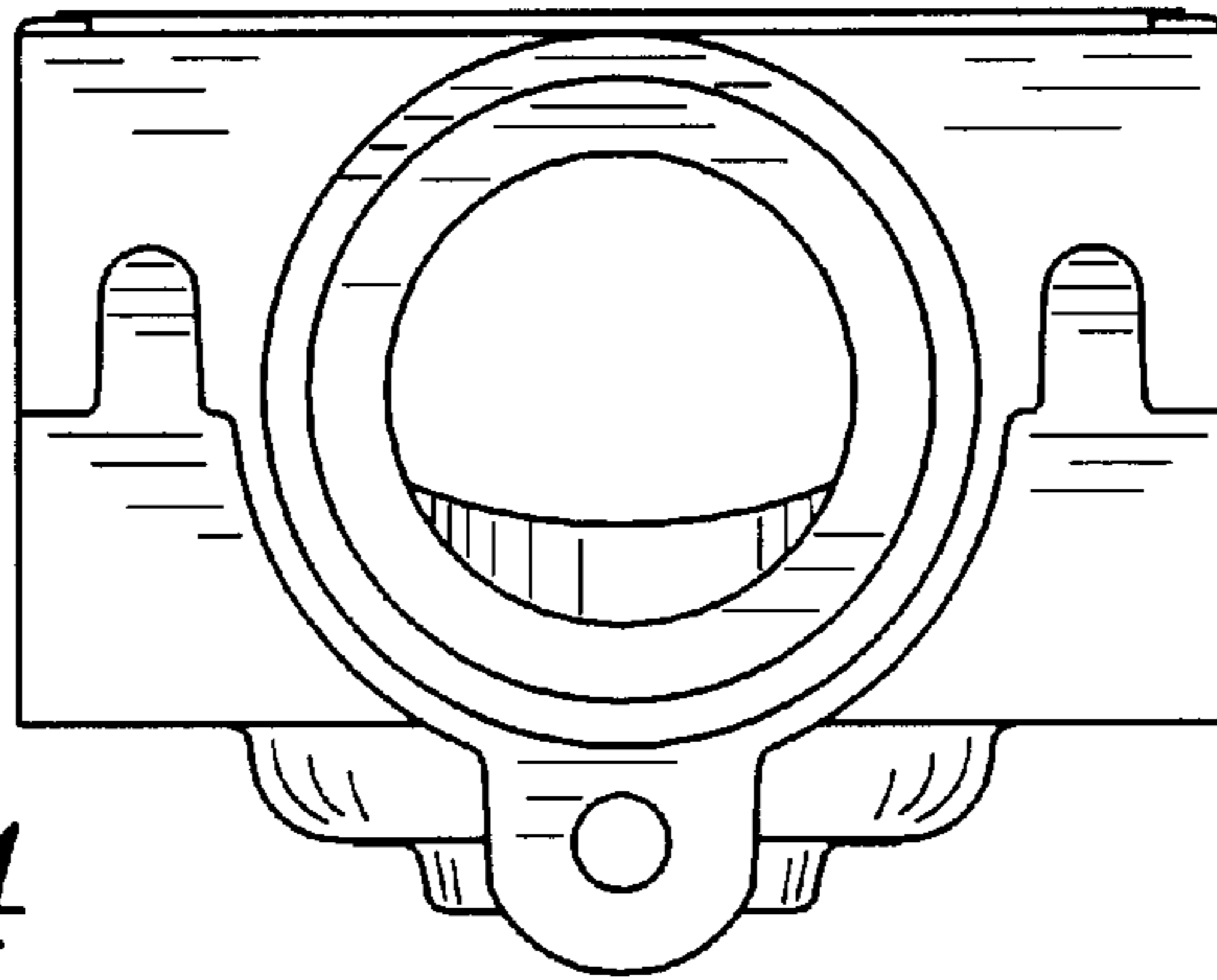


Fig. 4

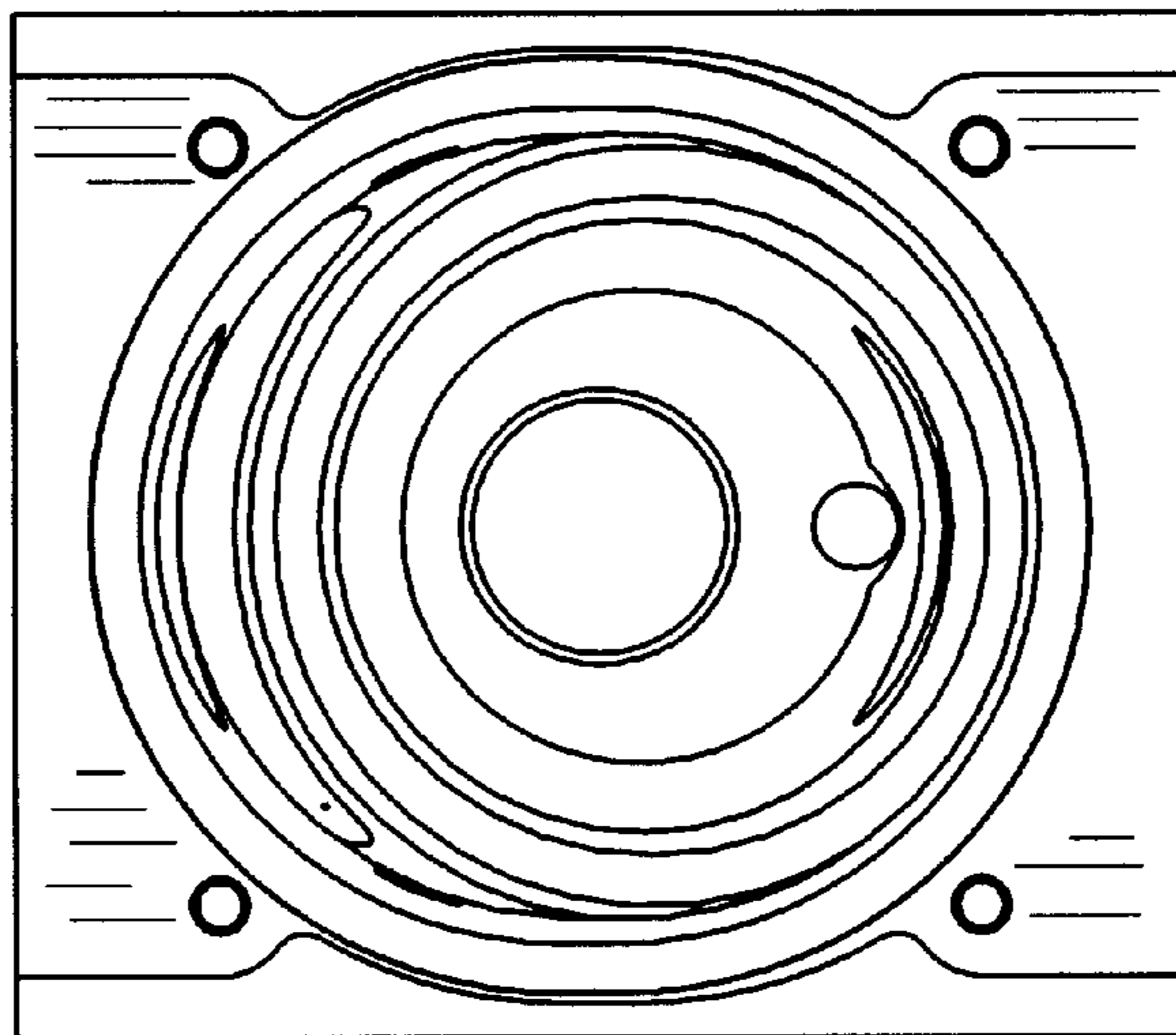


Fig. 5

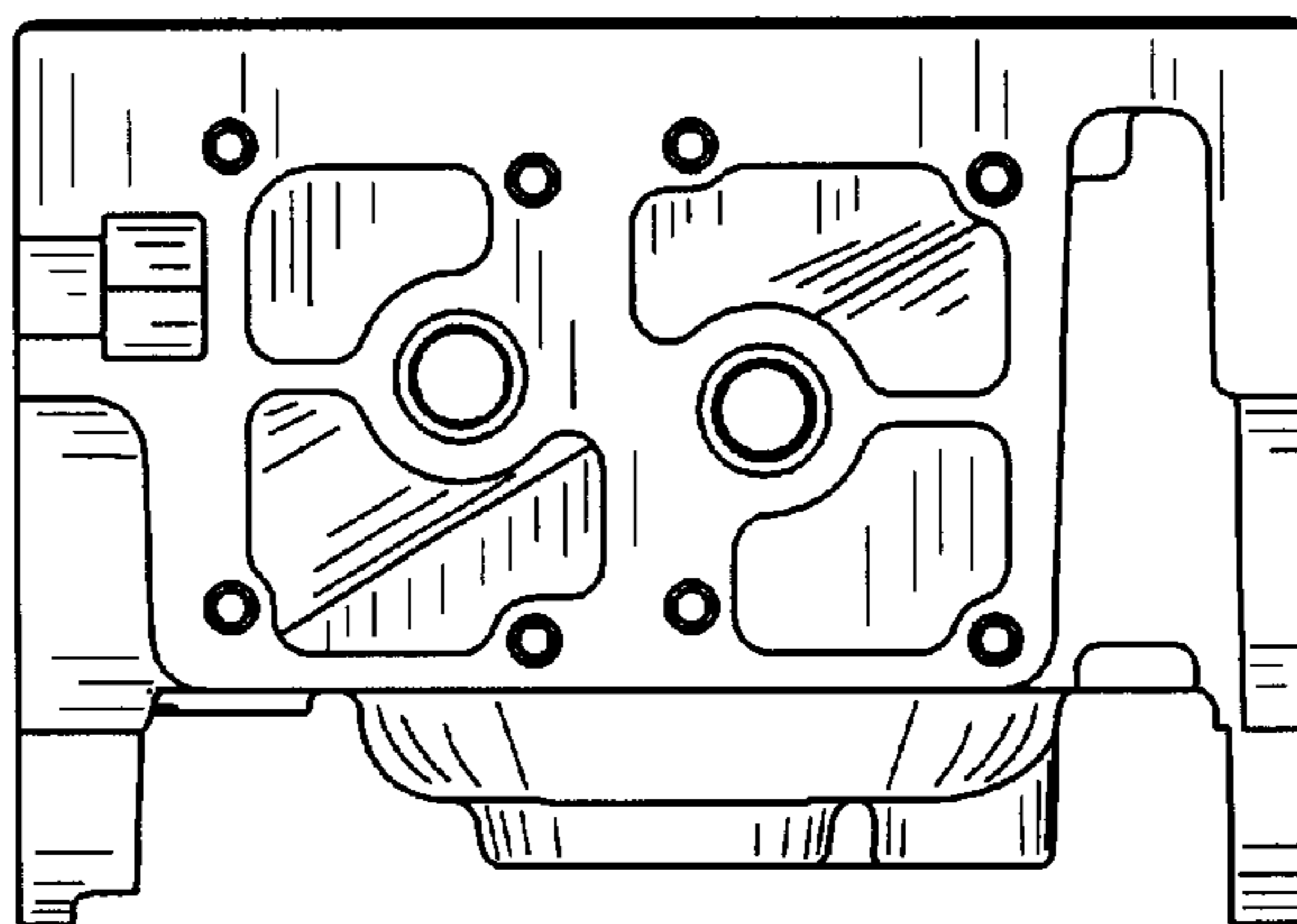


Fig. 6

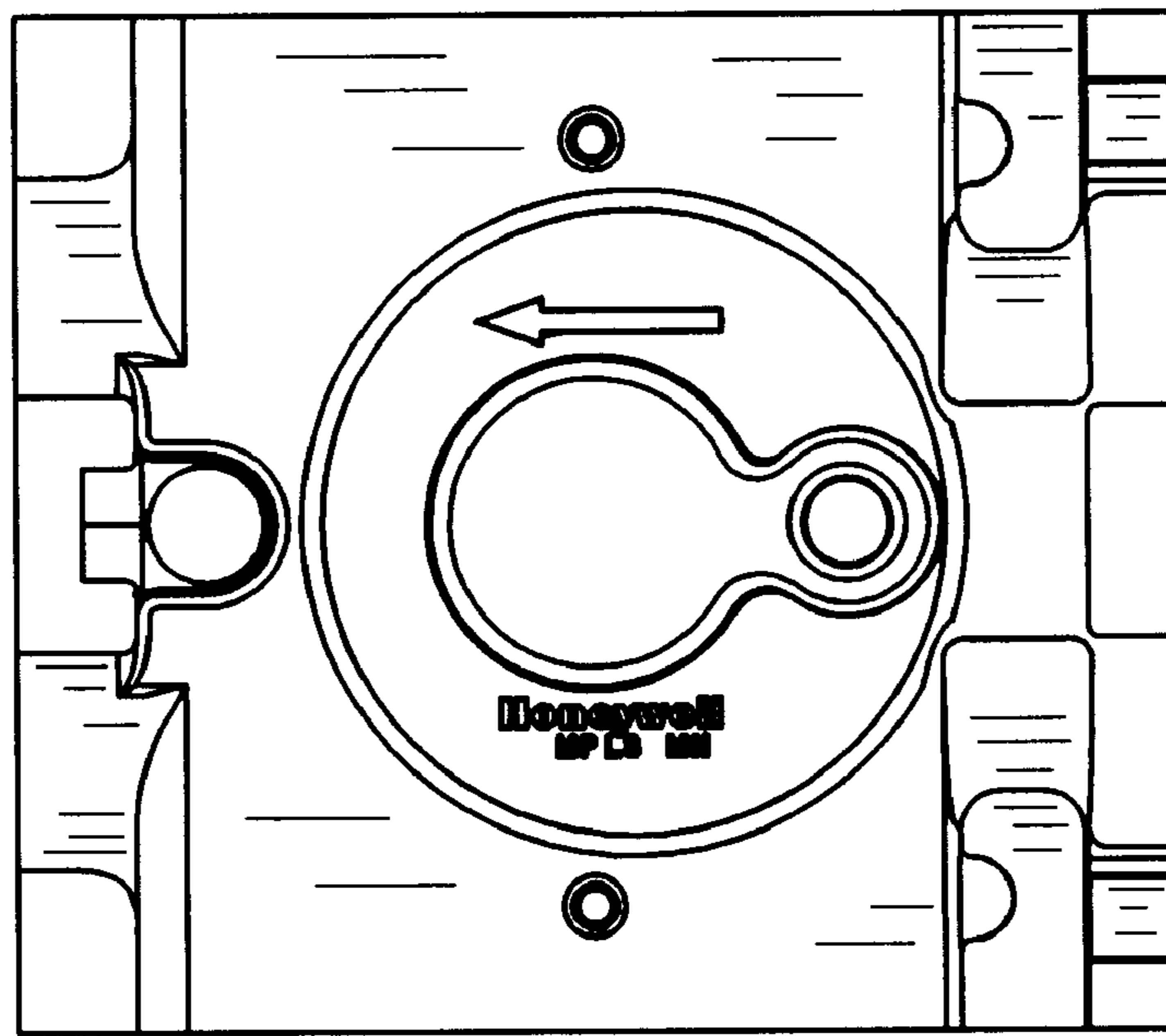


Fig. 7

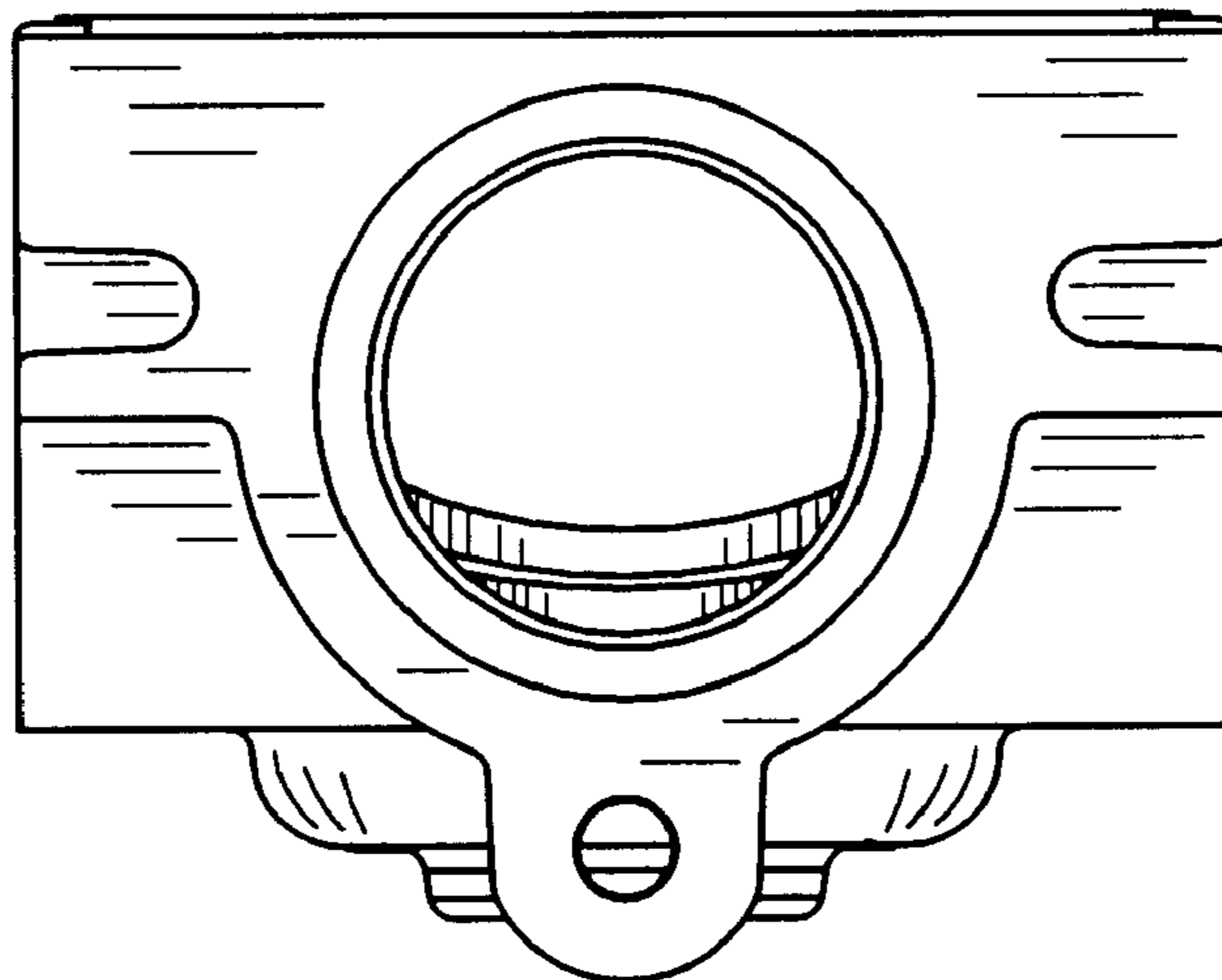


Fig. 8