



US00D433728S

# United States Patent [19] Tao

[11] Patent Number: Des. 433,728

[45] Date of Patent: \*\* Nov. 14, 2000

[54] FISHING REEL BODY

[75] Inventor: Ning Tao, Rowville, Australia

[73] Assignee: Jarvis Walker Pty Ltd., Rowville, Australia

[\*\*] Term: 14 Years

[21] Appl. No.: 29/104,083

[22] Filed: Apr. 28, 1999

### [30] Foreign Application Priority Data

Nov. 3, 1998 [AU] Australia ..... 3514/98

[51] LOC (7) Cl. .... 22-05

[52] U.S. Cl. .... D22/141

[58] Field of Search ..... D22/137, 140, D22/141; 242/370, 223, 224, 234, 235, 236, 237, 238, 239, 240, 311, 322

### [56] References Cited

#### U.S. PATENT DOCUMENTS

D. 392,018	3/1998	Robbins	.....	D22/141
D. 401,665	11/1998	Kondoh et al.	.....	D22/141
D. 401,996	12/1998	Asano et al.	.....	D22/141
D. 403,395	12/1998	Yoshikawa et al.	.....	D22/141
D. 404,793	1/1999	Oh	.....	D22/141

D. 414,237 9/1999 Kang et al. .... D22/141

Primary Examiner—Louis S. Zarfes  
Assistant Examiner—Inga-Maria Hyttinen  
Attorney, Agent, or Firm—Rosenman & Colin LLP

### [57] CLAIM

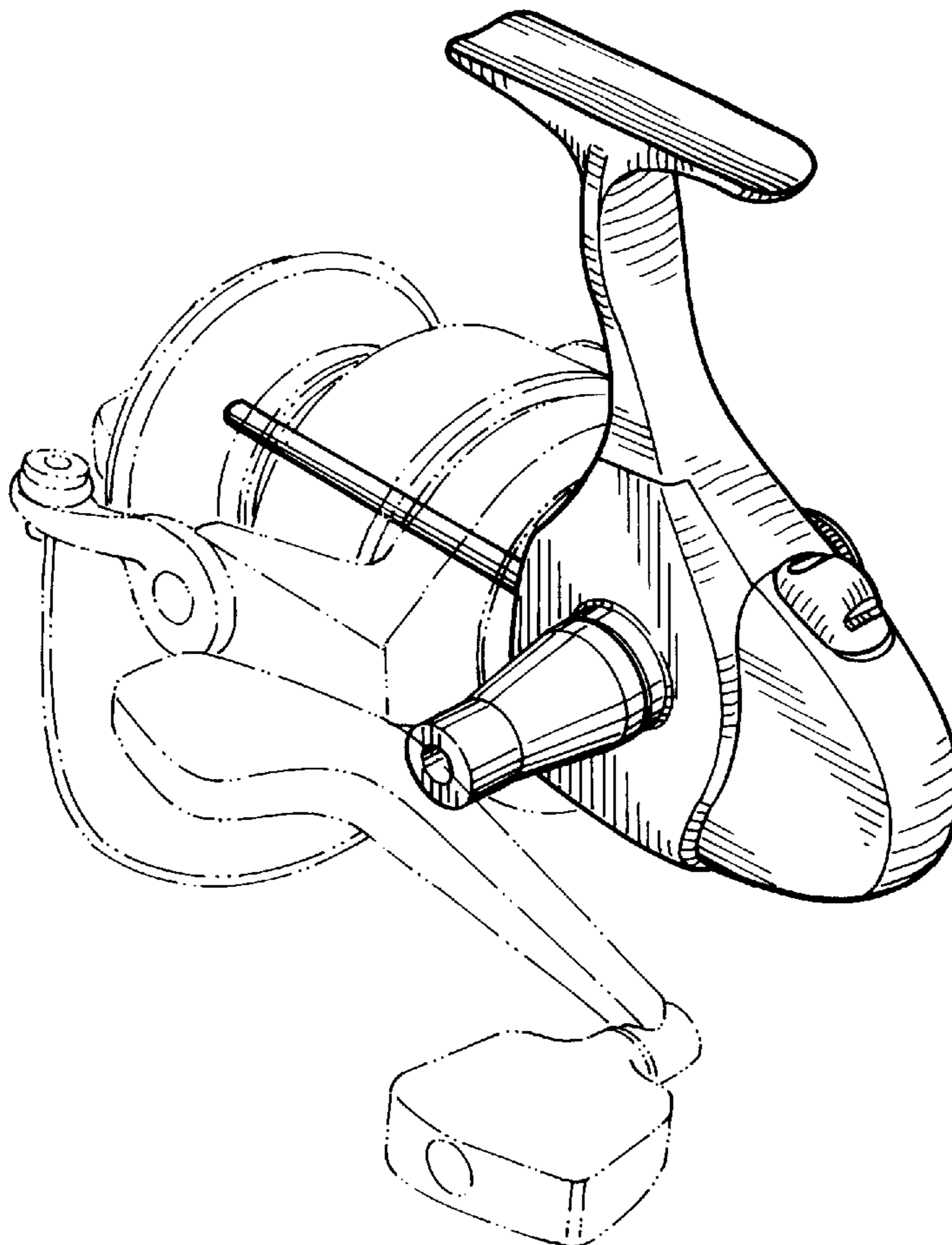
The ornamental design for the fishing reel body, as shown.

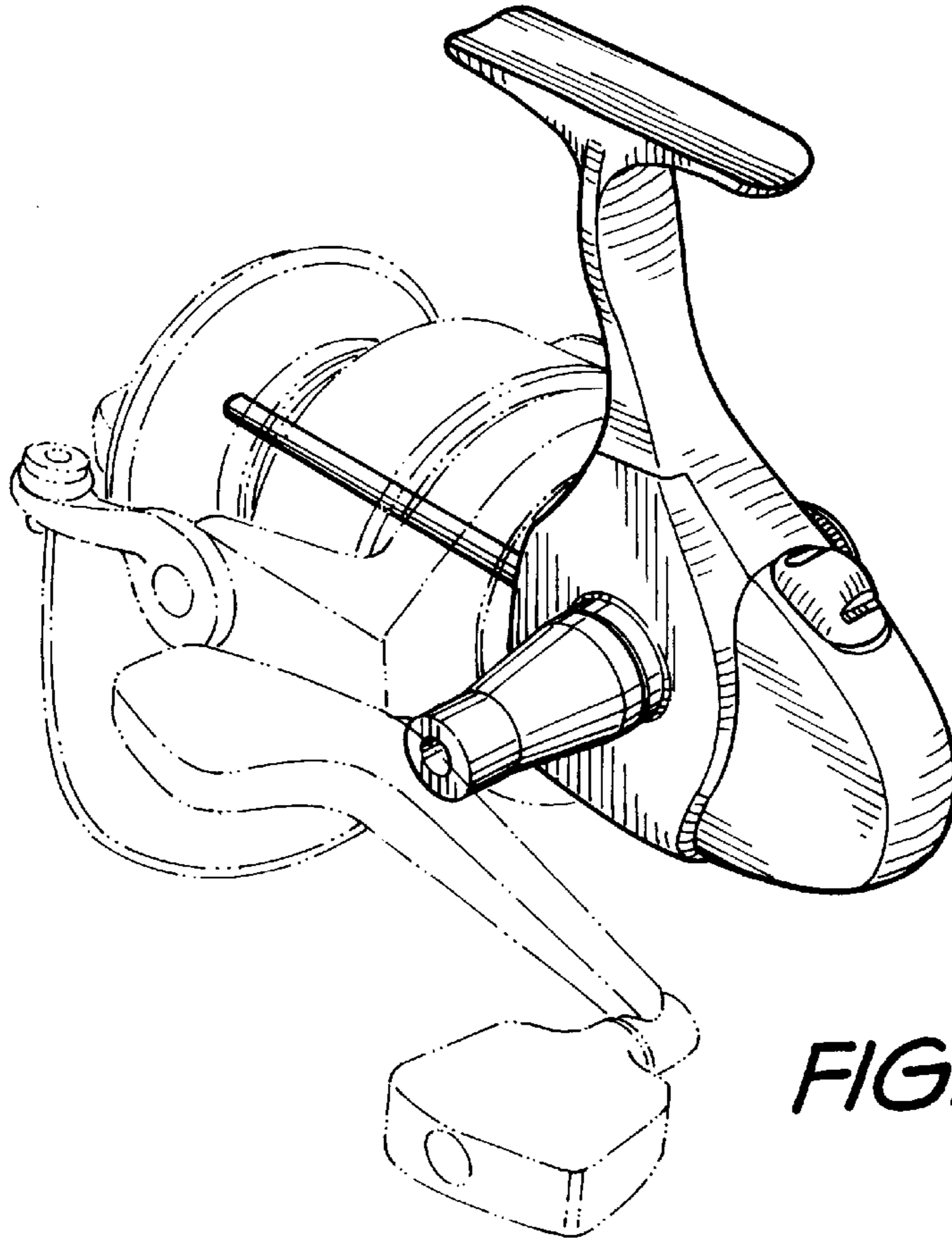
### DESCRIPTION

FIG. 1 is a perspective view of a fishing reel body showing my new design;  
FIG. 2 is a left side view of the fishing reel body shown in FIG. 1;  
FIG. 3 is a front view of the fishing reel body shown in FIG. 1;  
FIG. 4 is a rear view of the fishing reel body shown in FIG. 1;  
FIG. 5 is an inverted plan view of the fishing reel body shown in FIG. 1;  
FIG. 6 is a plan view of the fishing reel body shown in FIG. 1; and,  
FIG. 7 is a right side view of the fishing reel body shown in FIG. 1.

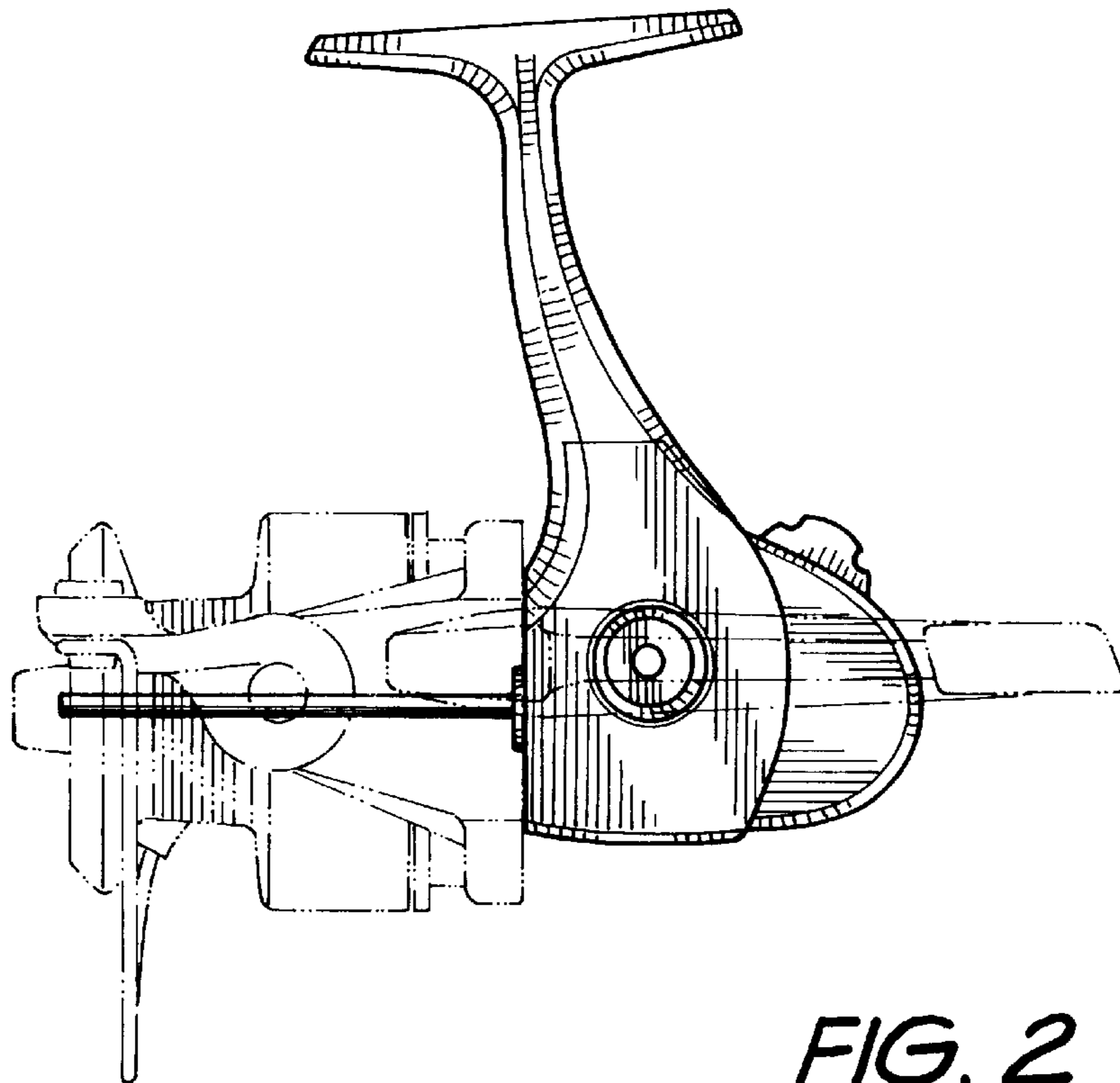
The broken line showing of a rotor, spool, and handle is for illustrative purposes only and forms no part of the claimed design.

1 Claim, 4 Drawing Sheets

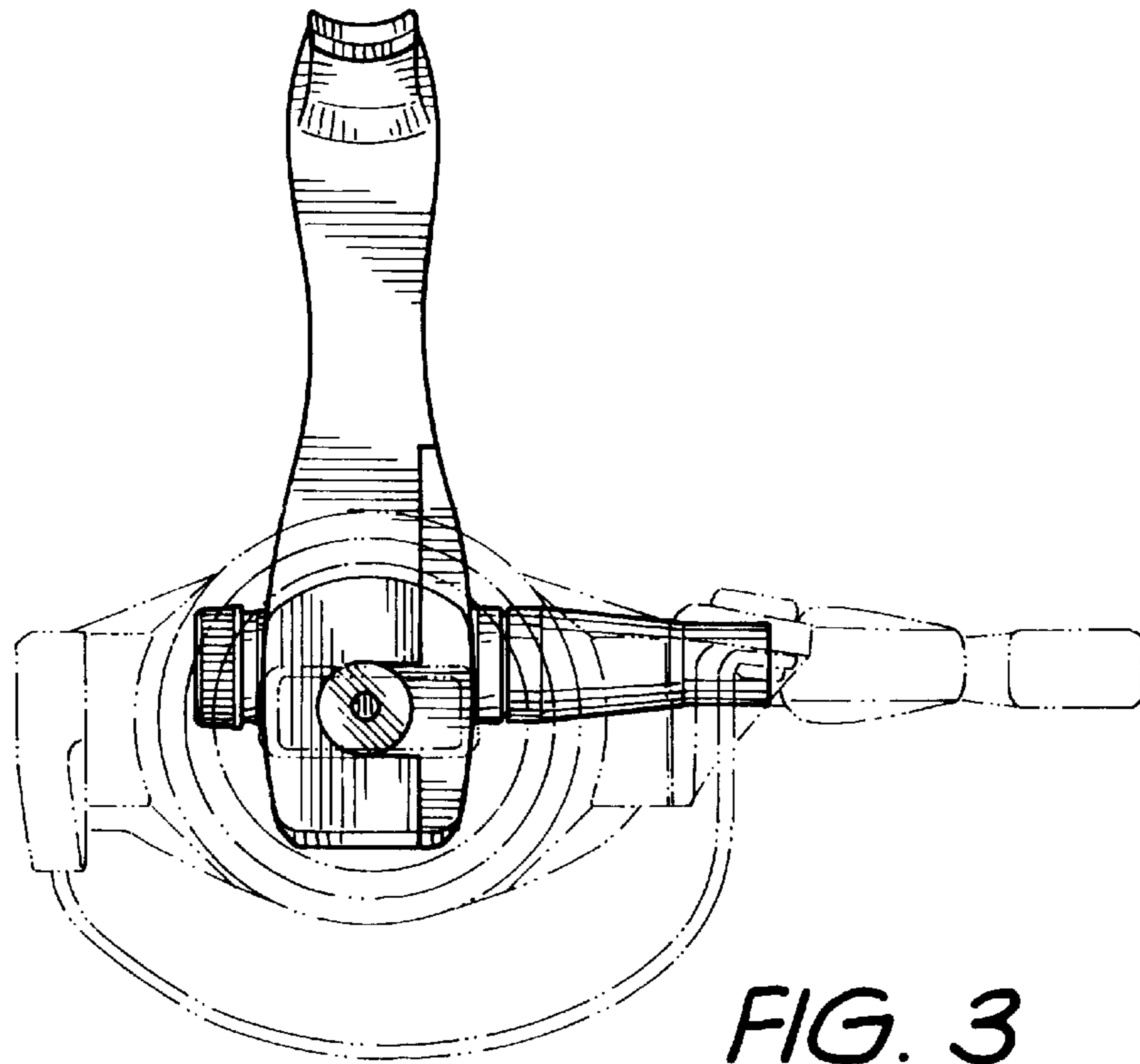




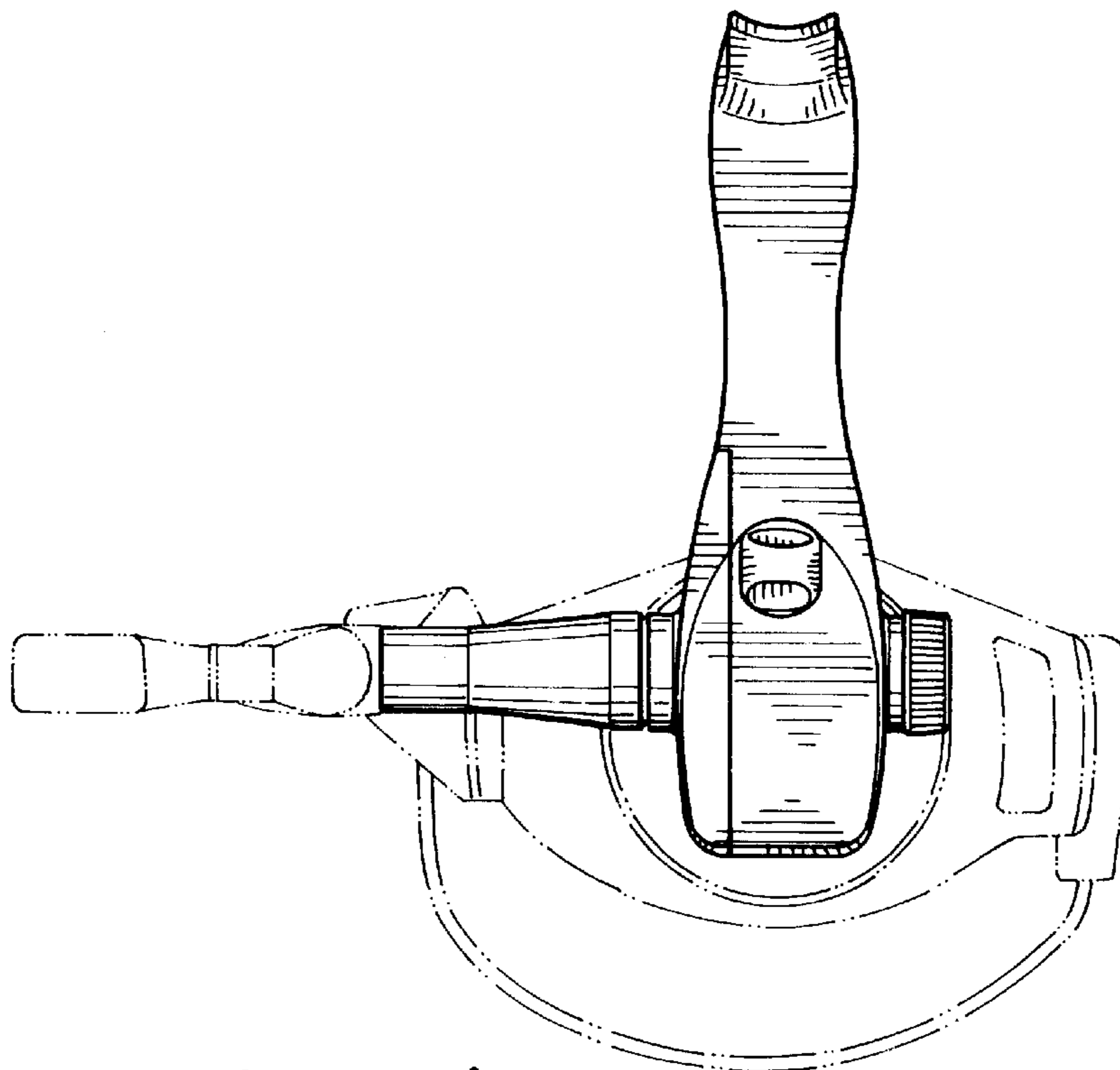
*FIG. 1*



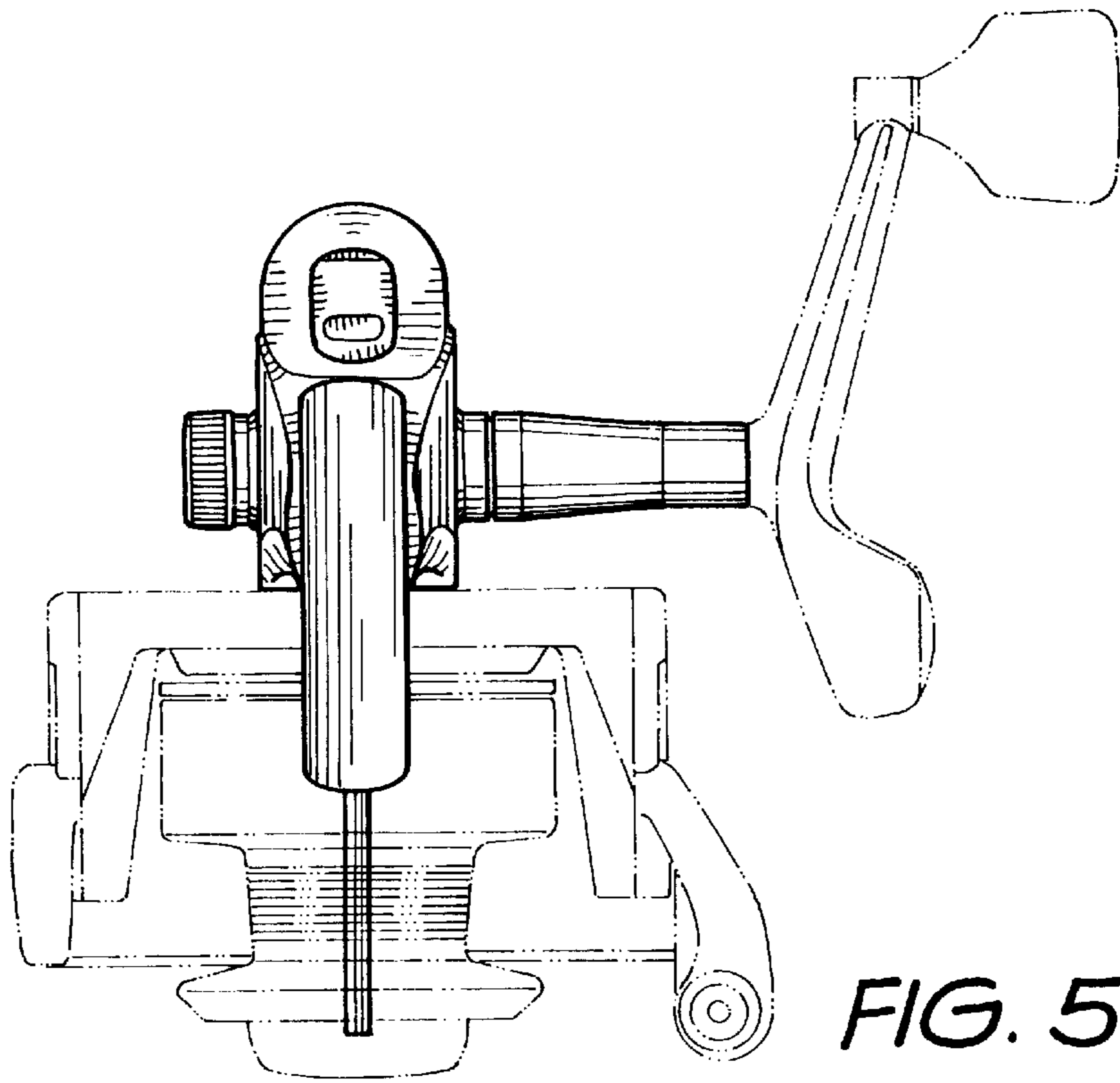
*FIG. 2*



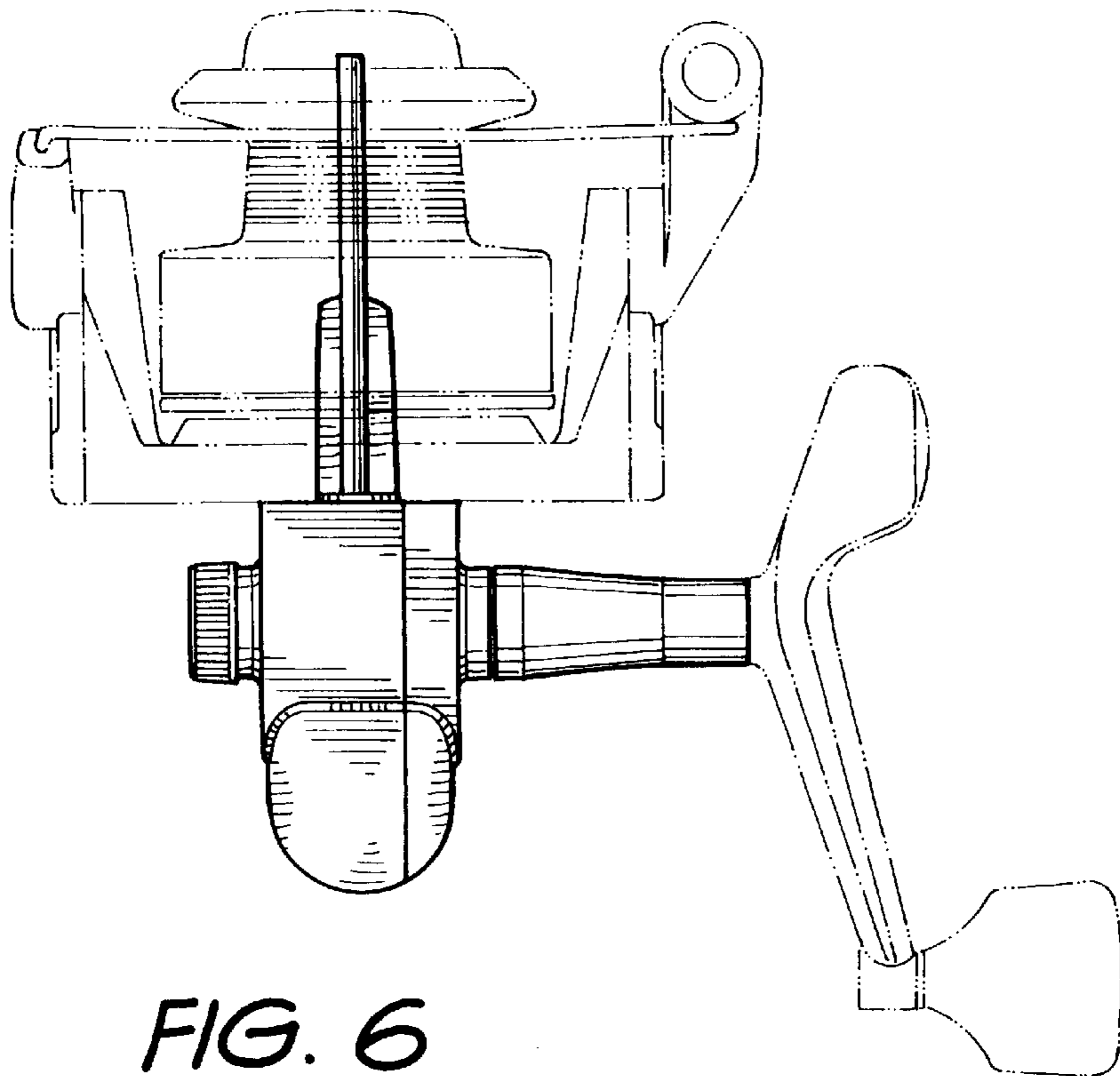
*FIG. 3*



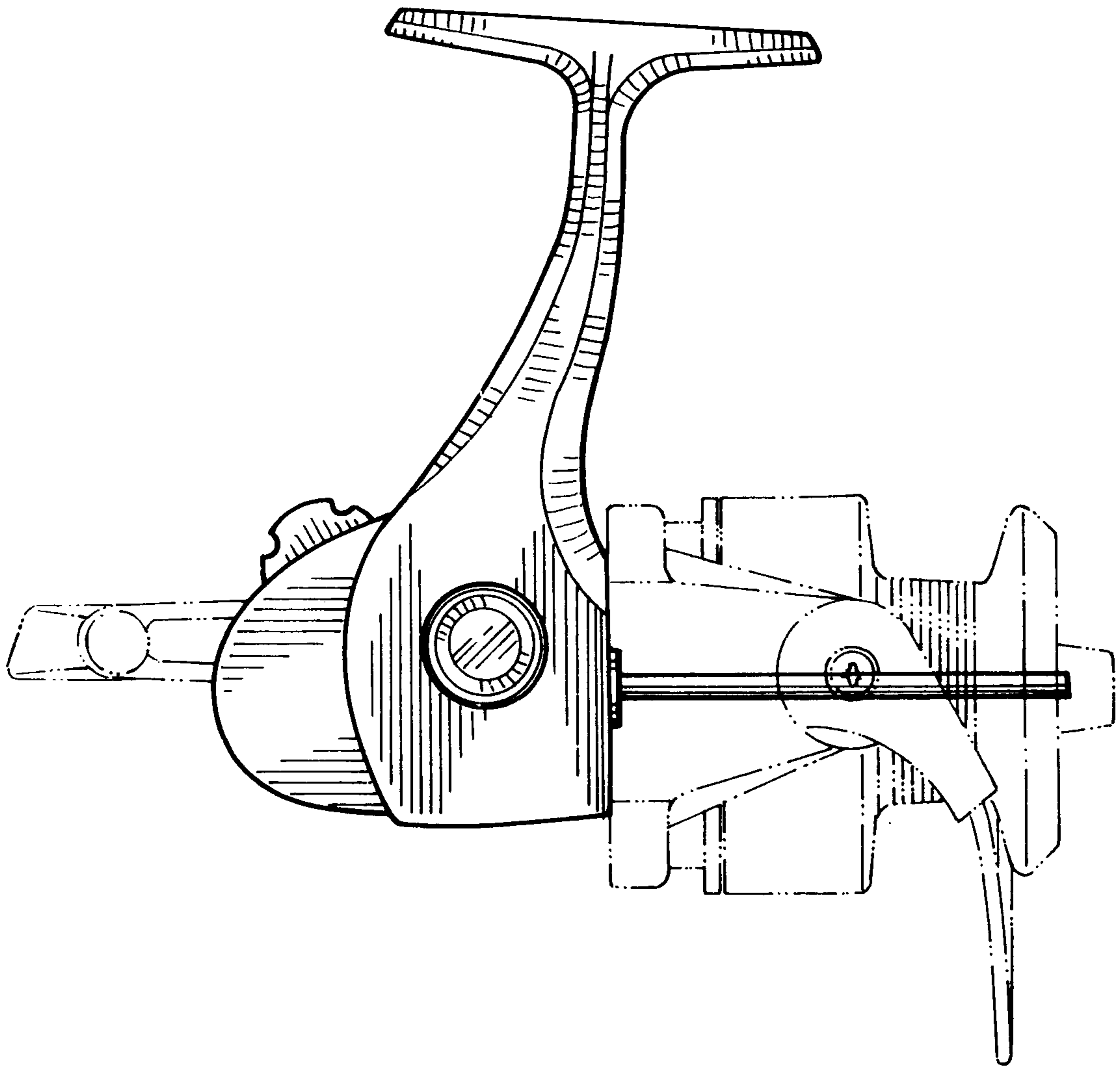
*FIG. 4*



*FIG. 5*



*FIG. 6*



*FIG. 7*