



US00D433723S

United States Patent [19] Hynes

[11] **Patent Number: Des. 433,723**

[45] **Date of Patent: ** Nov. 14, 2000**

[54] **BATTING PRACTICE DEVICE**

5,776,017 7/1998 Brawn 473/426
5,913,739 6/1999 Brenneisen 473/430

[76] Inventor: **William Hynes**, 2824 Hogan Ct., Falls Church, Va. 22043

Primary Examiner—Richelle Shelton
Attorney, Agent, or Firm—Alfred F. Hoyte, Jr.

[**] Term: **14 Years**

[57] **CLAIM**

[21] Appl. No.: **29/106,932**

The ornamental design for a batting practice device, as shown and described.

[22] Filed: **Jun. 25, 1999**

[51] **LOC (7) Cl.** **21-02**

[52] **U.S. Cl.** **D21/719**

[58] **Field of Search** D21/715, 719;
473/423, 426, 429, 430

DESCRIPTION

FIG. 1 is a front view of a batting practice device showing my new design;
FIG. 2 is a left side view thereof;
FIG. 3 is a right side view thereof;
FIG. 4 is a top view thereof; and,
FIG. 5 is a bottom view thereof.

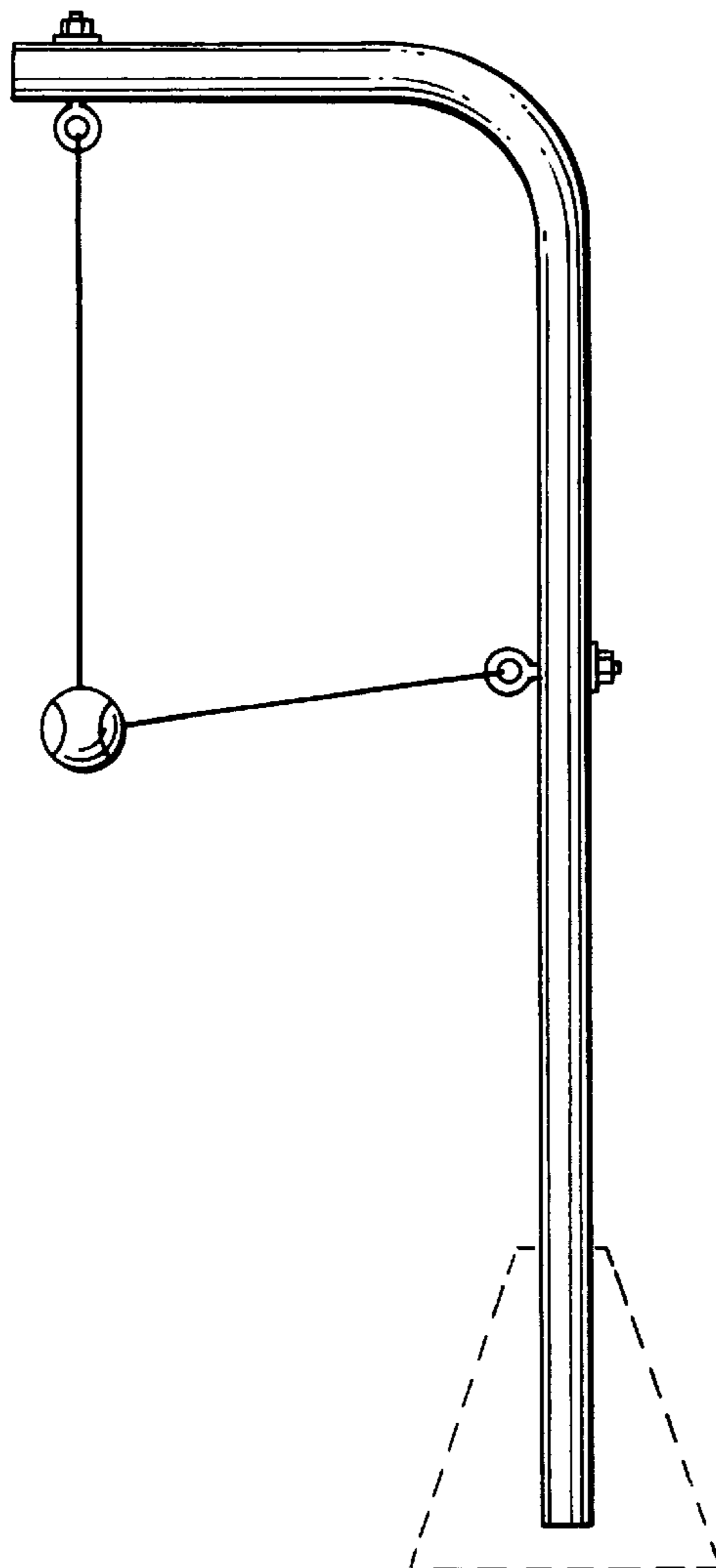
The broken line showing in FIG. 1 is for illustrative purposes only and forms no part of the claimed design.

[56] **References Cited**

U.S. PATENT DOCUMENTS

- D. 366,679 1/1996 Clements D21/719
- 2,606,025 8/1952 Hornig 473/429 X
- 5,056,781 10/1991 Preston et al. 473/423
- 5,255,911 10/1993 Preston et al. 473/423

1 Claim, 1 Drawing Sheet



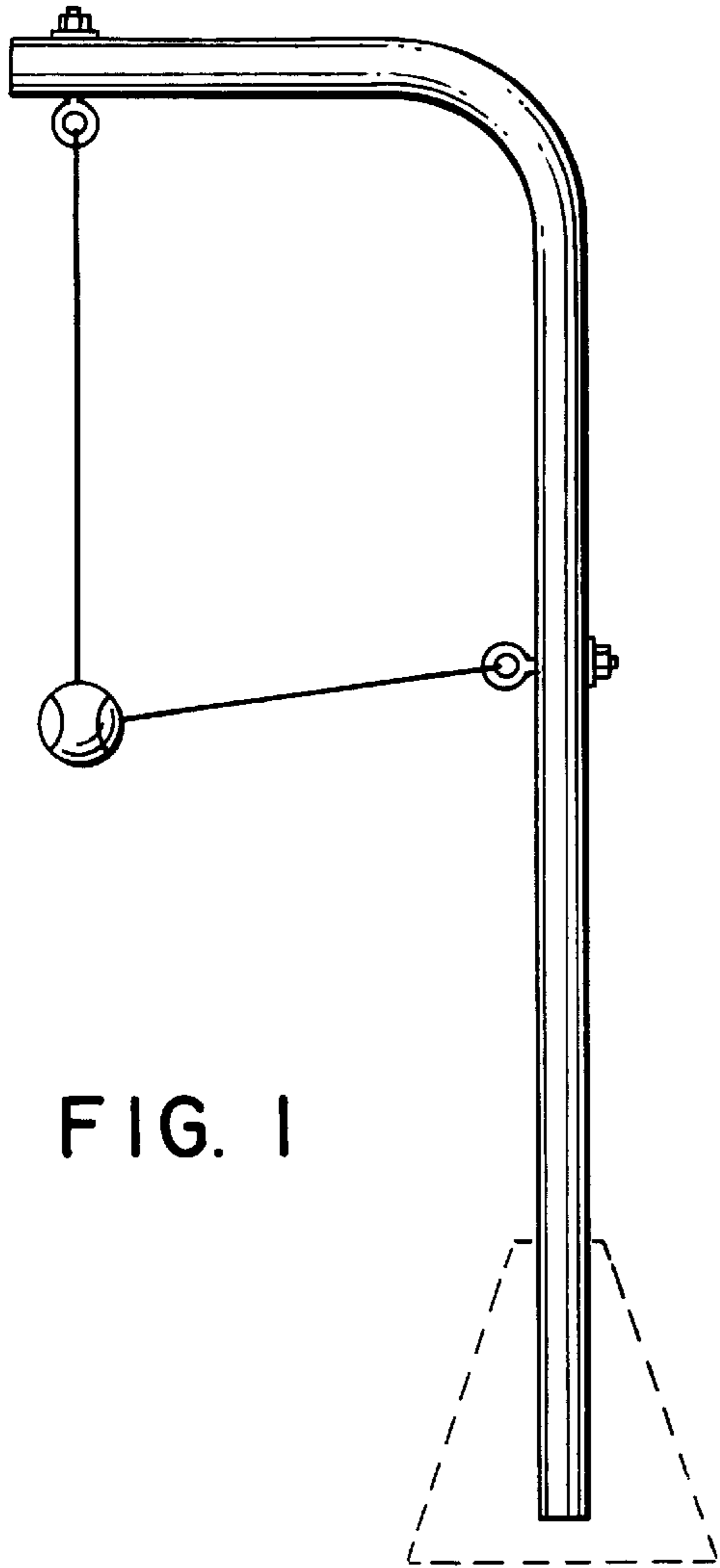


FIG. 1



FIG. 2



FIG. 3

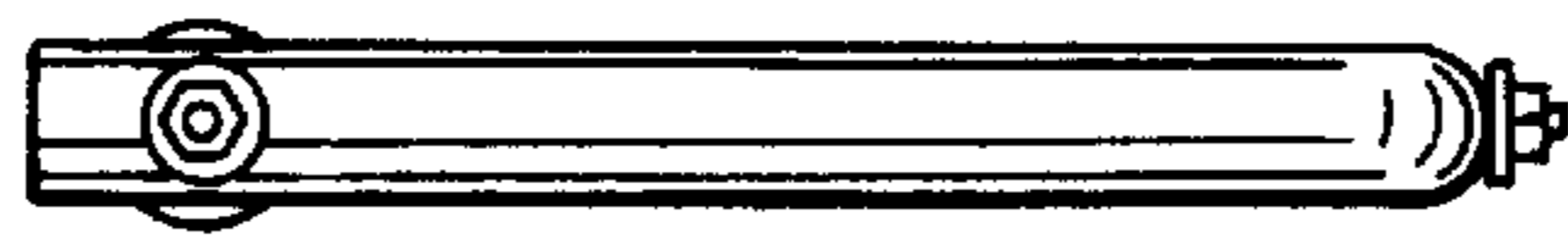


FIG. 4

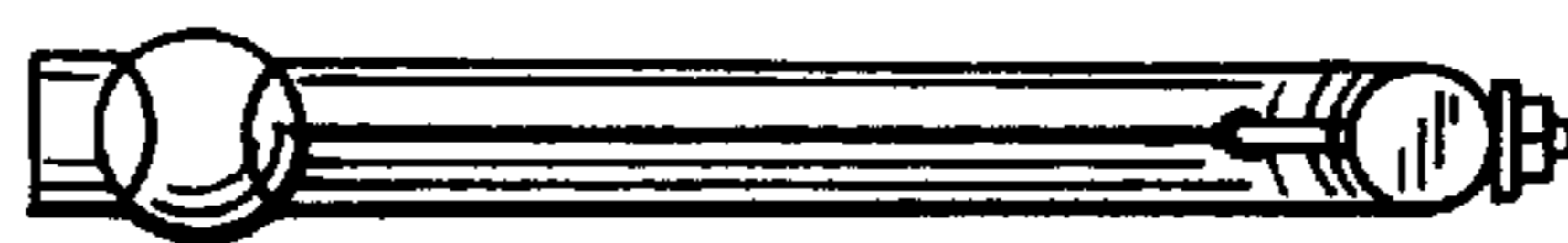


FIG. 5