



US00D433720S

United States Patent [19]

Rojas et al.

[11] Patent Number: Des. 433,720

[45] Date of Patent: ** Nov. 14, 2000

[54] WEIGHTLIFTING PLATE

[75] Inventors: **Michael D. Rojas**, Tustin; **Scott J. Frasco**, Huntington Beach, both of Calif.

[73] Assignee: **Iron Grip Barbell Company, Inc.**, Costa Mesa, Calif.

[**] Term: 14 Years

[21] Appl. No.: 29/115,555

[22] Filed: Dec. 15, 1999

[51] LOC (7) Cl. 21-02

[52] U.S. Cl. D21/681; D21/680

[58] Field of Search D21/681, 682, D21/683, 684, 680; 482/104, 105, 106, 107, 108, 109

[56] **References Cited**

U.S. PATENT DOCUMENTS

D. 278,358	4/1985	Zwilling	D21/681
D. 354,322	1/1995	Vodhanel, Jr.	D21/681
D. 355,007	1/1995	Rojas et al.	D21/681
D. 394,685	5/1998	Eckmann	D21/680

D. 406,183	2/1999	Zovich	D21/680
D. 409,695	5/1999	Rojas et al.	D21/680
D. 421,076	2/2000	Lincir	D21/681
D. 424,140	5/2000	Lincir	D21/680
5,137,502	8/1992	Anastasi	482/106
5,692,996	12/1997	Widerman	482/106
5,853,355	12/1998	Standish	482/106

Primary Examiner—Philip S. Hyder
Attorney, Agent, or Firm—Darby & Darby

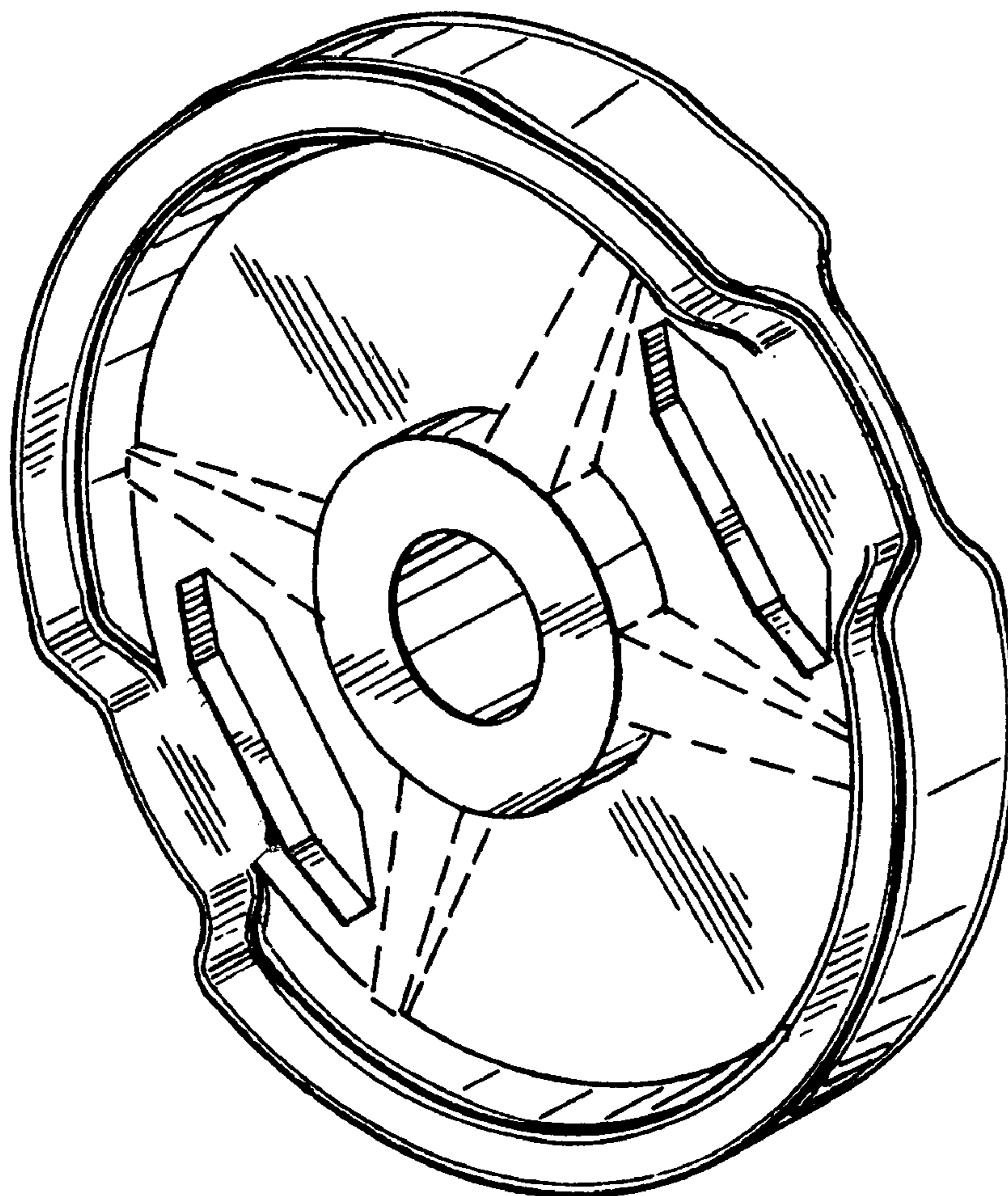
[57] **CLAIM**

The ornamental design for a weightlifting plate, as shown and described.

DESCRIPTION

FIG. 1 is a perspective view of a weightlifting plate showing our new design;
FIG. 2 is a front view of the weightlifting plate shown in FIG. 1, the rear view being a mirror image thereof;
FIG. 3 is a right side view of the weightlifting plate shown in FIG. 1, the left side view being a mirror image thereof; and,
FIG. 4 is a top view of the weightlifting plate shown in FIG. 1, the bottom view being a mirror image thereof.

1 Claim, 2 Drawing Sheets



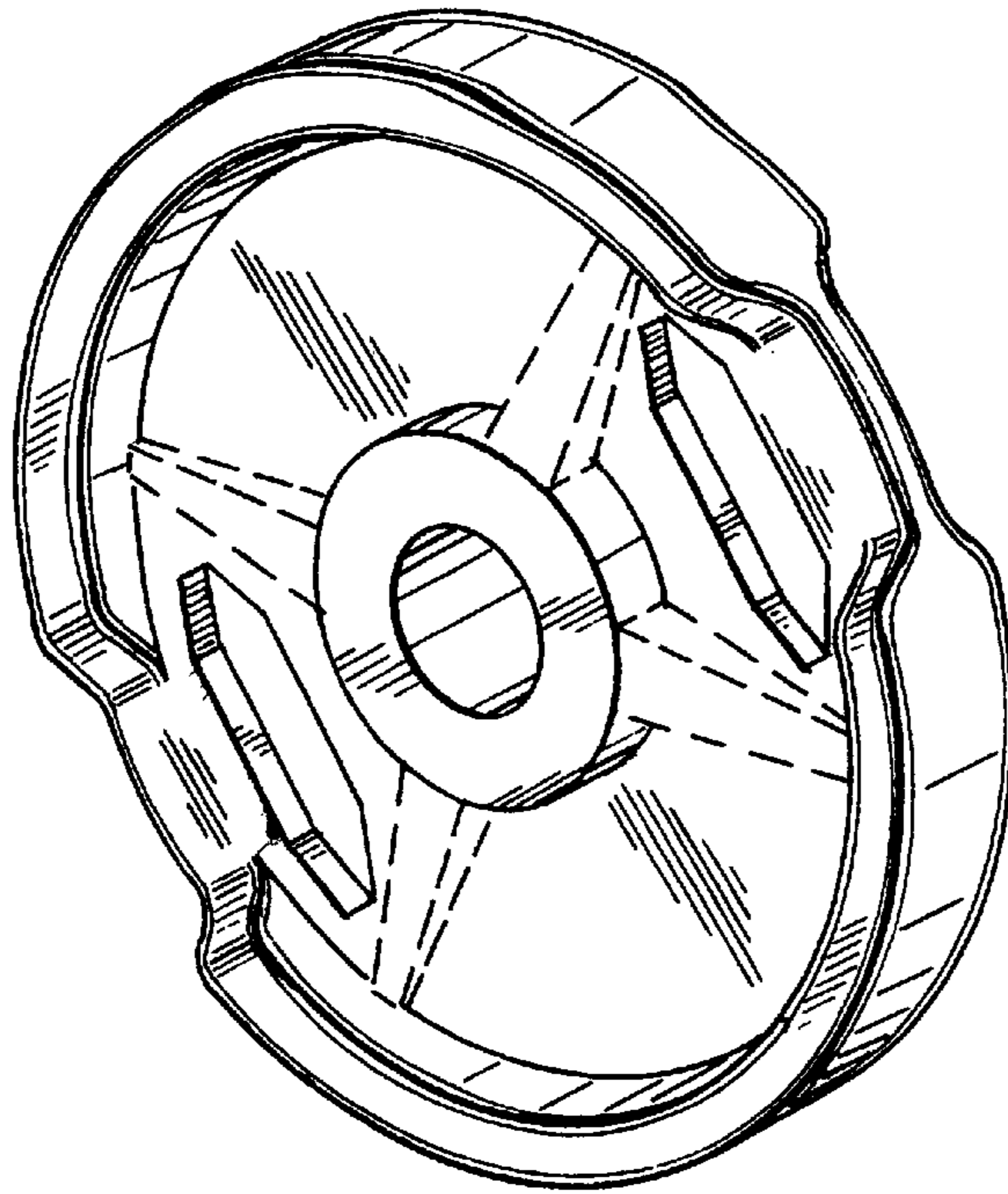
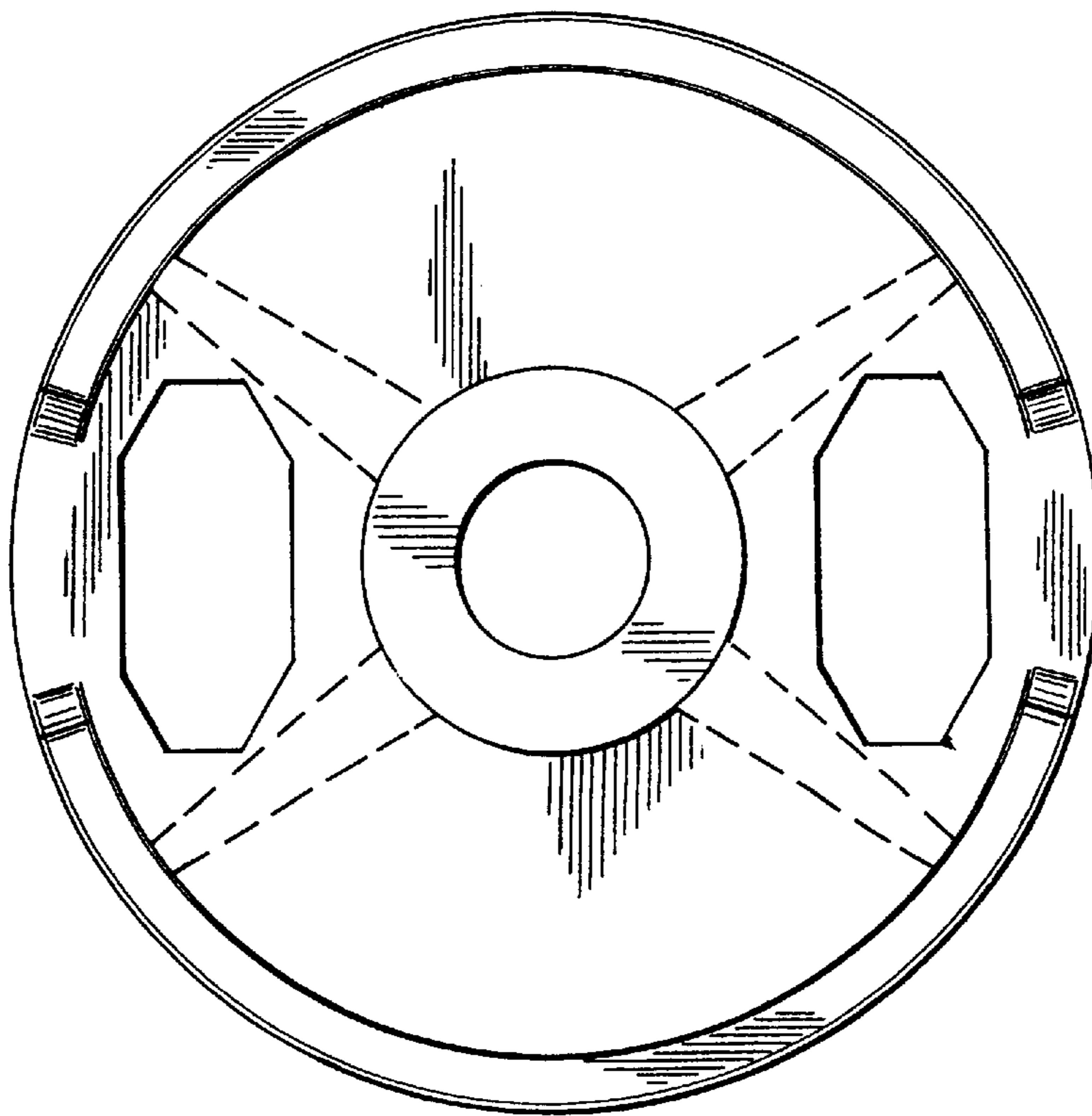


FIG. 1

FIG. 2



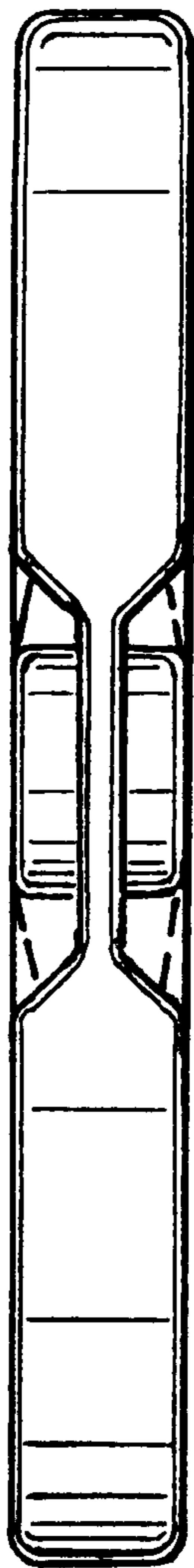


FIG. 3

FIG. 4

