



US00D433718S

United States Patent [19]
McGreen

[11] **Patent Number: Des. 433,718**

[45] **Date of Patent: ** Nov. 14, 2000**

[54] **PORTABLE COLLAPSIBLE SCOOTER**

[75] Inventor: **James R. McGreen**, Sebastopol, Calif.

[73] Assignee: **ZapWorld.com**, Sebastopol, Calif.

[**] Term: **14 Years**

[21] Appl. No.: **29/098,051**

[22] Filed: **Dec. 18, 1998**

[51] **LOC (7) Cl.** **21-01**

[52] **U.S. Cl.** **D21/423**

[58] **Field of Search** D12/107, 110,
D12/1, 85; D21/423; 180/180, 181, 208,
218, 219, 87.1; 280/278, 287

[56] **References Cited**

U.S. PATENT DOCUMENTS

D. 326,290	5/1992	Badsey	D12/110 X
D. 330,394	10/1992	Cohen	D12/110 X
D. 337,794	7/1993	Cornett	D21/423
D. 352,921	11/1994	Pepe	D12/110
5,183,129	2/1993	Powell	180/208

Primary Examiner—Alan P. Douglas

Assistant Examiner—Linda Brooks

Attorney, Agent, or Firm—Jay P. Hendrickson, Esq.

[57] **CLAIM**

The ornamental design for a portable collapsible scooter, as shown and described.

DESCRIPTION

FIG. 1 is a front perspective view of a portable collapsible scooter showing the design.

FIG. 2 is a right side elevational view of the portable collapsible scooter showing the design.

FIG. 3 is a left side elevational view of the portable collapsible scooter showing the design.

FIG. 4 is a front elevational view of the portable collapsible scooter showing the design.

FIG. 5 is a rear elevational view of the portable collapsible scooter showing the design.

FIG. 6 is a top plan view of the portable collapsible scooter showing the design.

FIG. 7 is a bottom plan view of the portable collapsible scooter showing the design.

FIG. 8 is a rear side perspective view of the portable collapsible scooter showing the design.

FIG. 9 is an enlarged second embodiment of a right side perspective view of the portable collapsible scooter in a collapsed position.

FIG. 10 is an enlarged second embodiment of a right side elevational view of the portable collapsible scooter in a collapsed position.

FIG. 11 is an enlarged second embodiment of a left side elevational view of the portable collapsible scooter in a collapsed position.

FIG. 12 is an enlarged second embodiment of a rear elevational view of the portable collapsible scooter in a collapsed position.

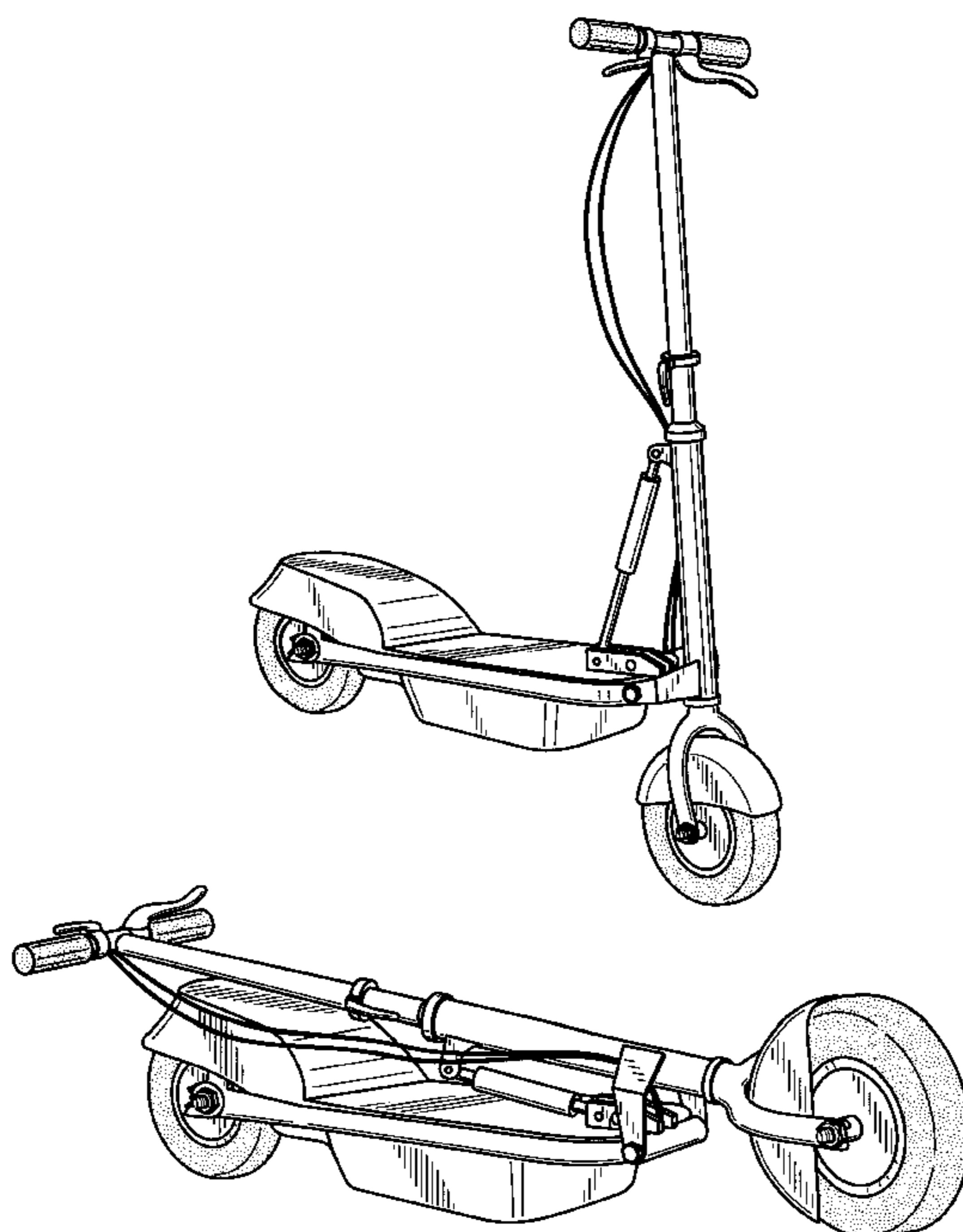
FIG. 13 is an enlarged second embodiment of a front elevational view of the portable collapsible scooter in a collapsed position.

FIG. 14 is an enlarged second embodiment of a top plan view of the portable collapsible scooter in a collapsed position.

FIG. 15 is an enlarged second embodiment of a bottom plan view of the portable collapsible scooter in a collapsed position; and,

FIG. 16 is an enlarged second embodiment of a rear side perspective view of the portable collapsible scooter in a collapsed position.

1 Claim, 6 Drawing Sheets



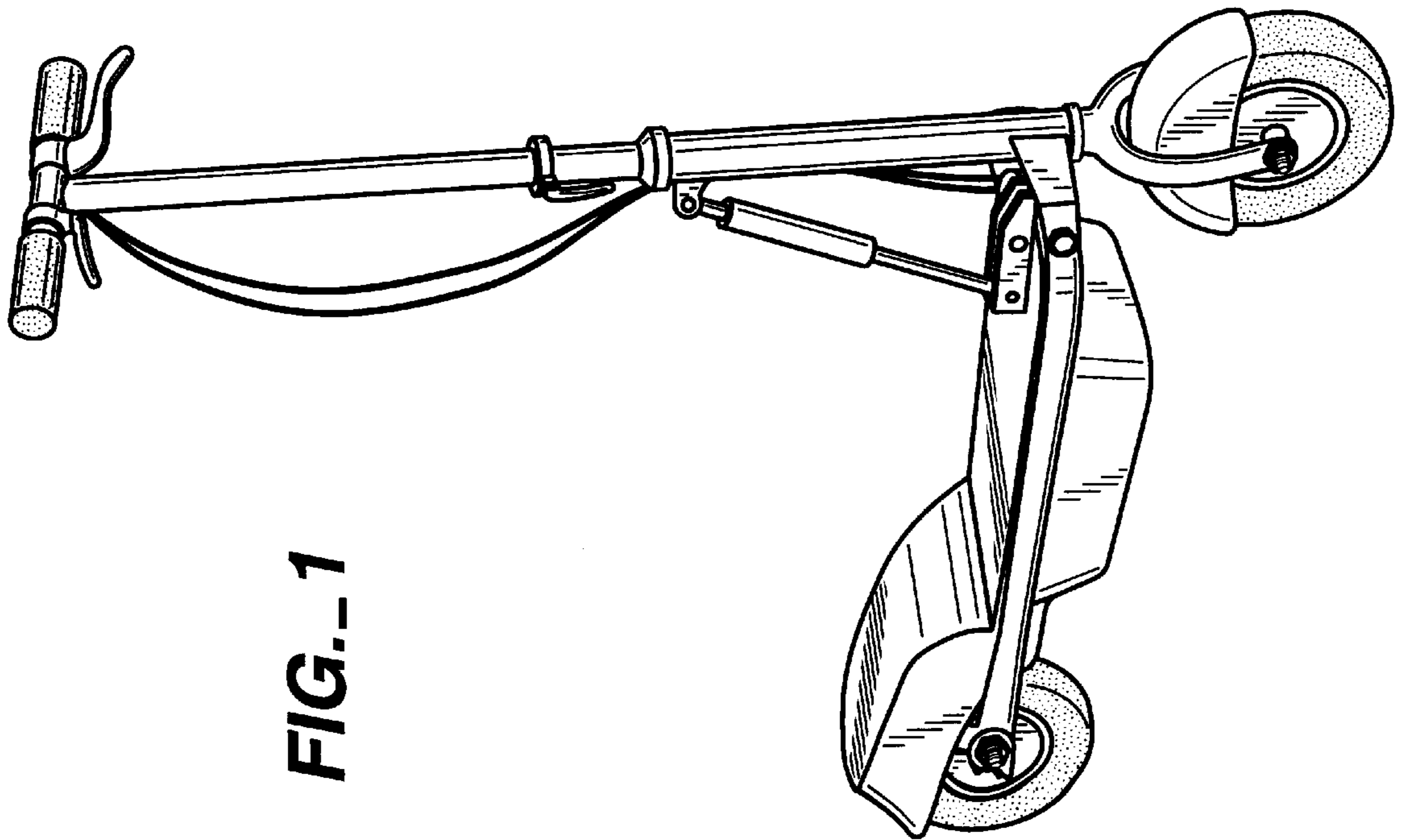


FIG. 1

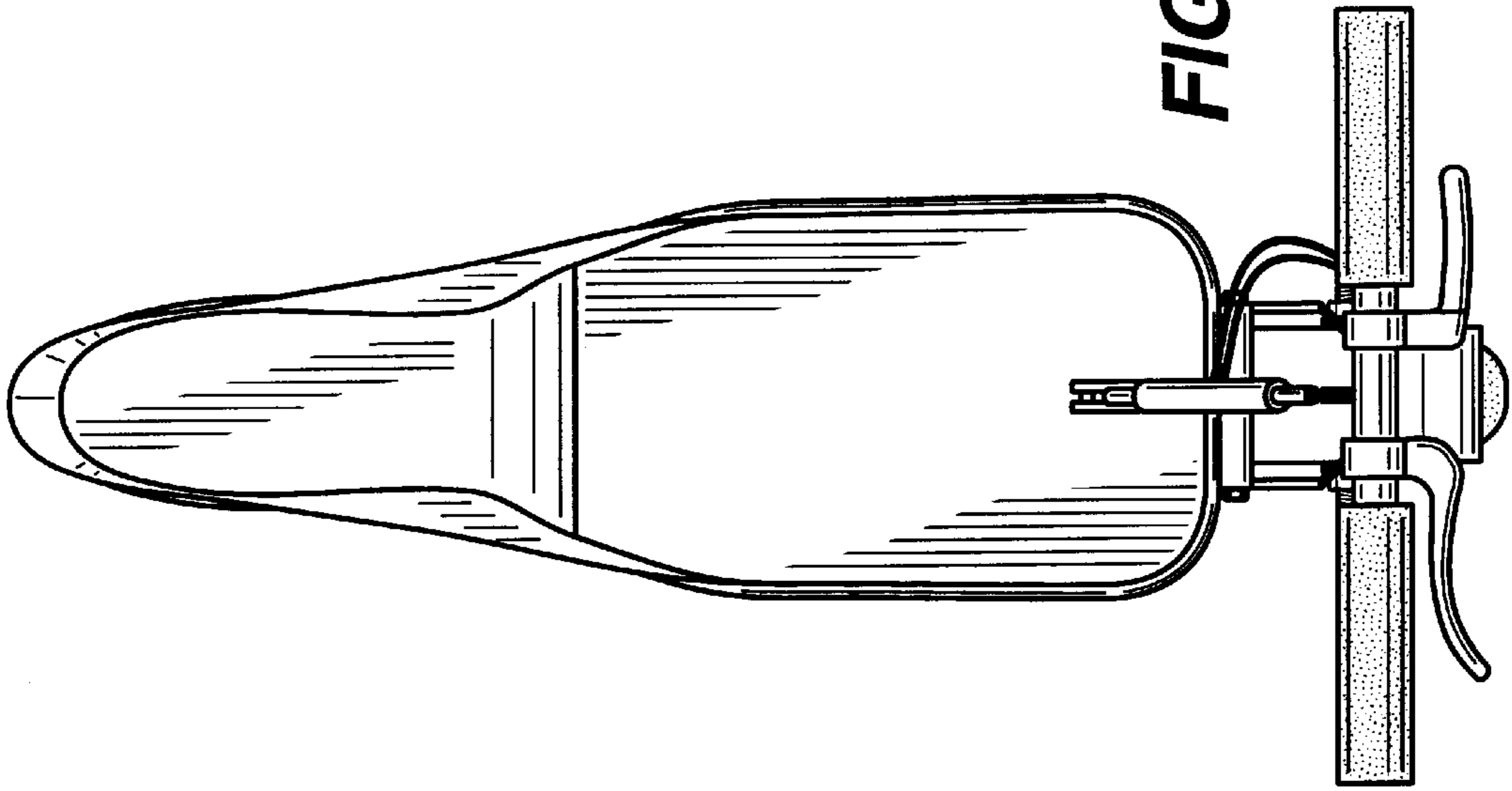
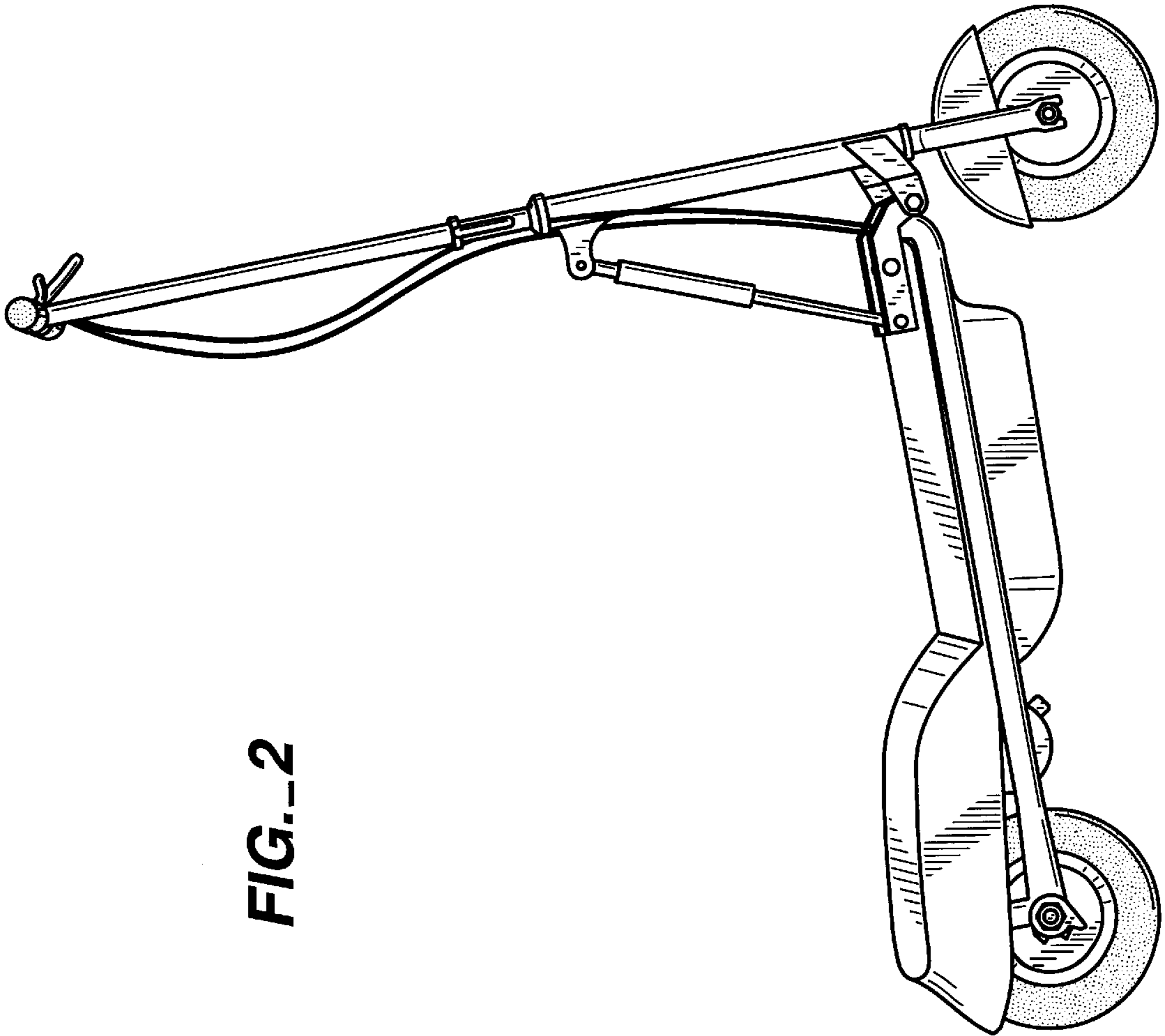
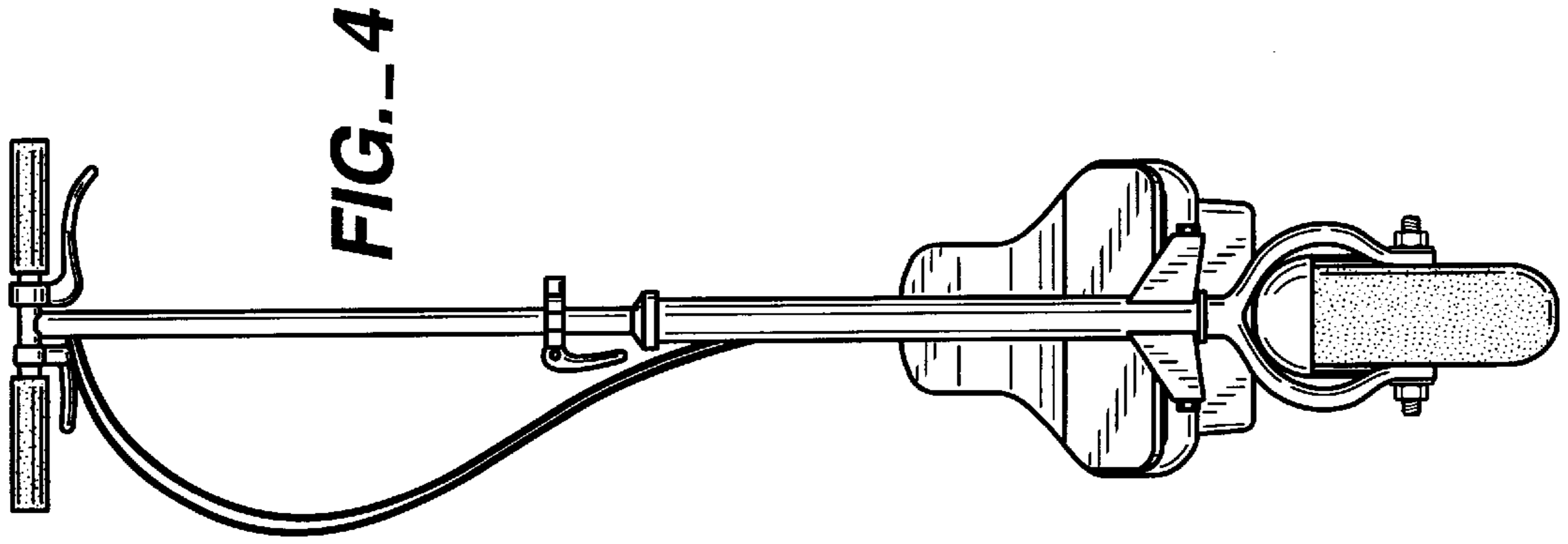


FIG. 6



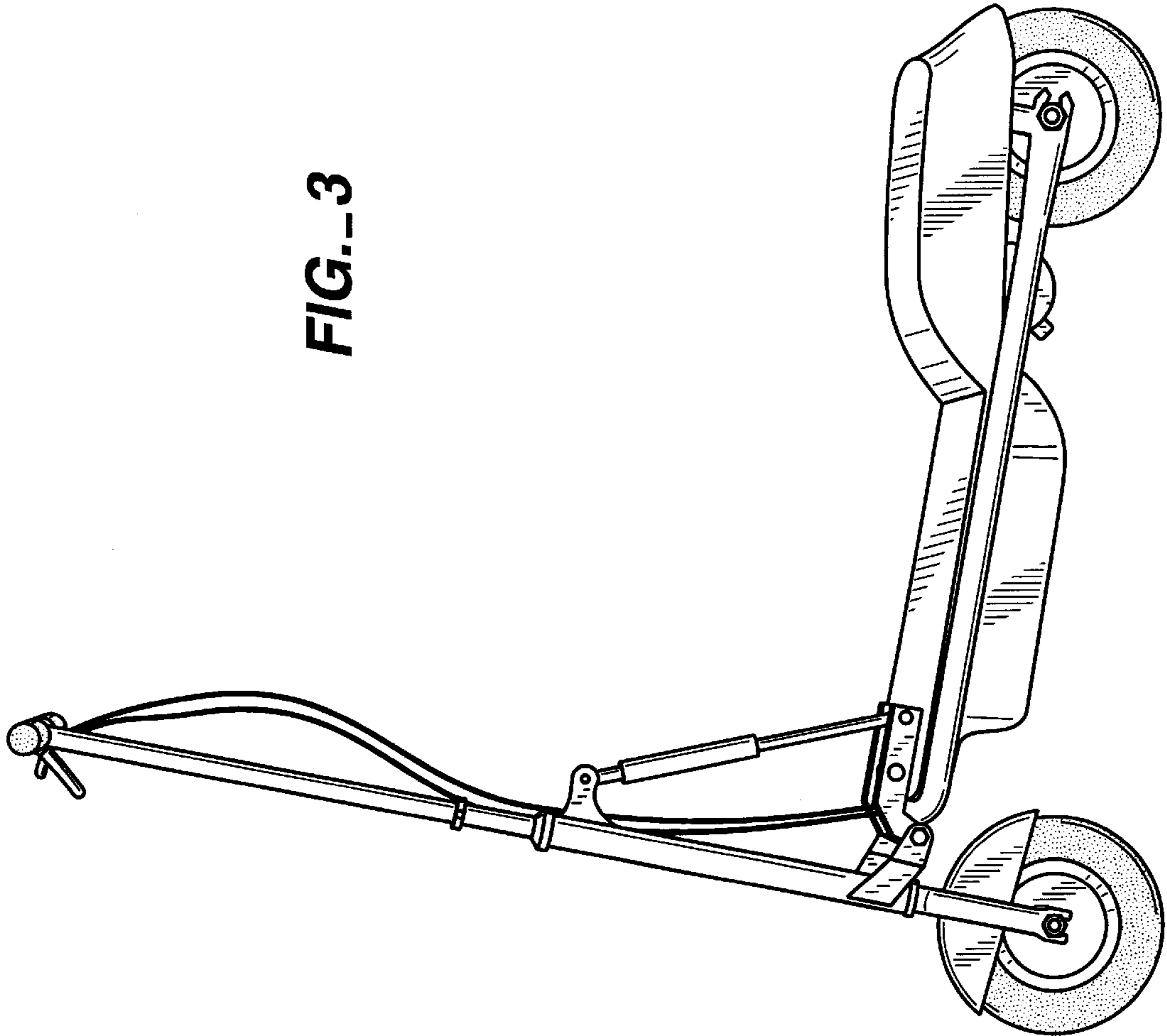


FIG. 3

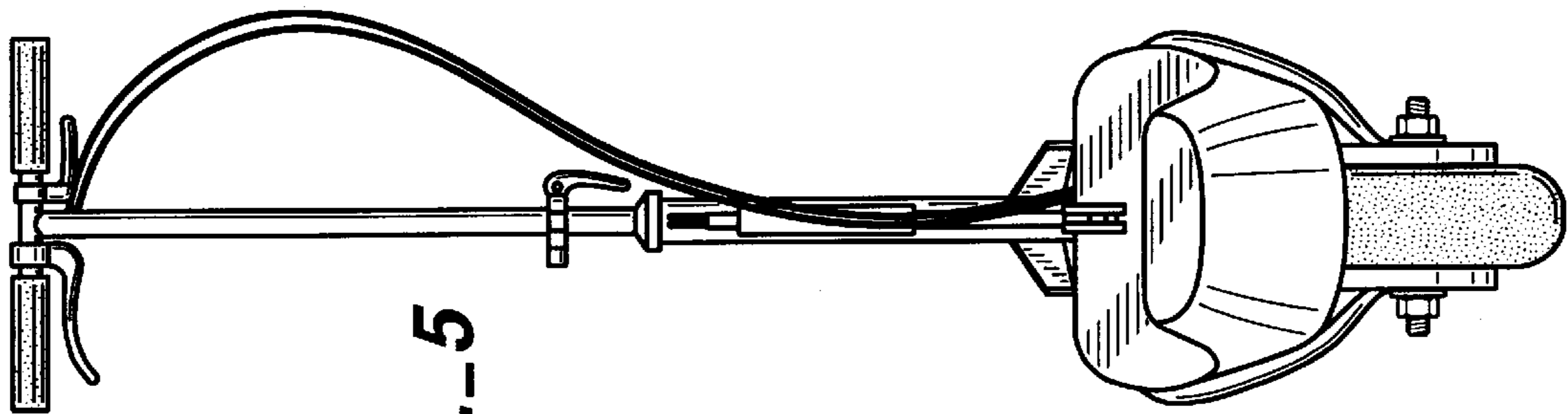


FIG. 5

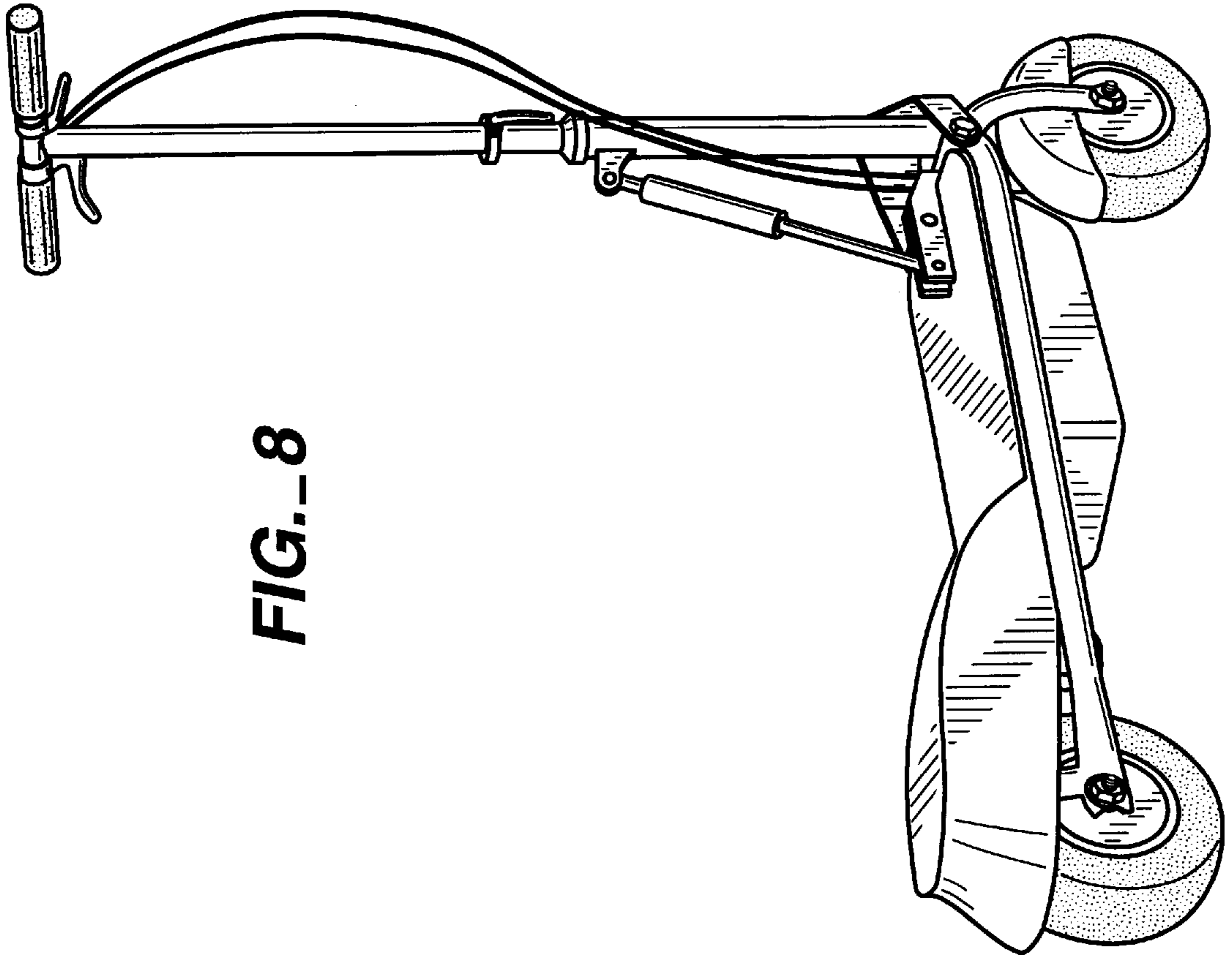


FIG. 8

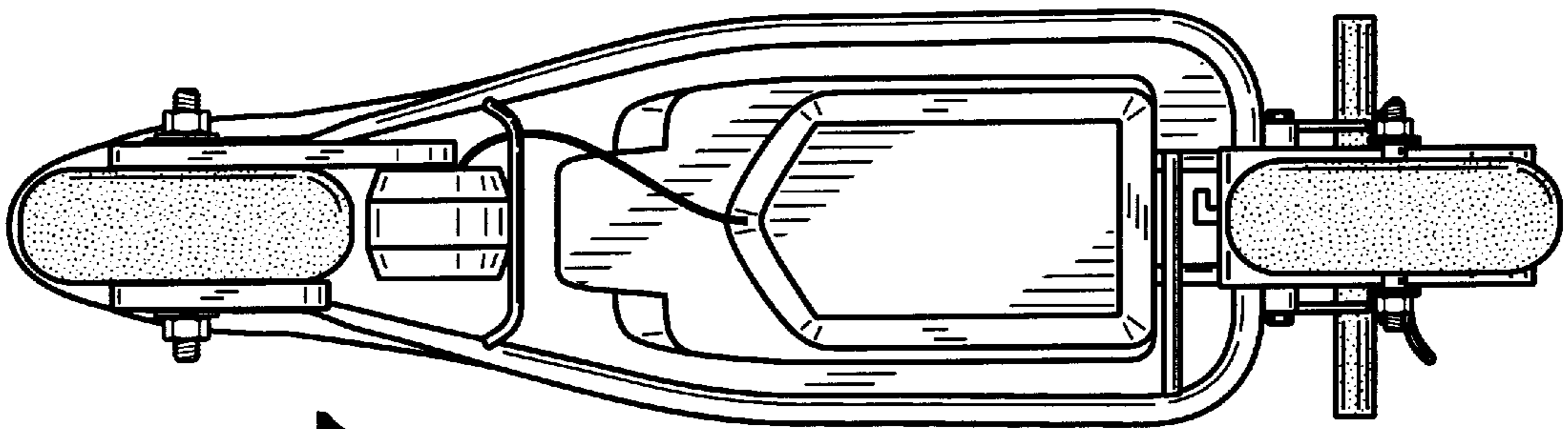


FIG. 7

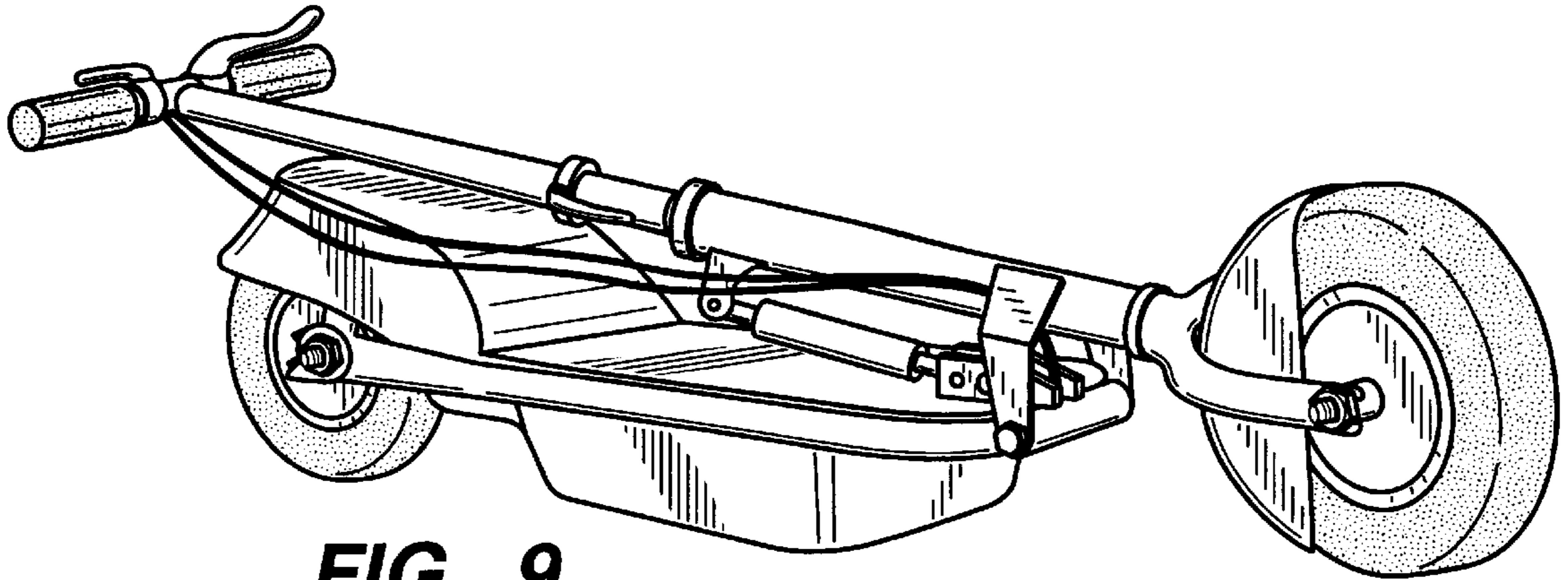


FIG._9

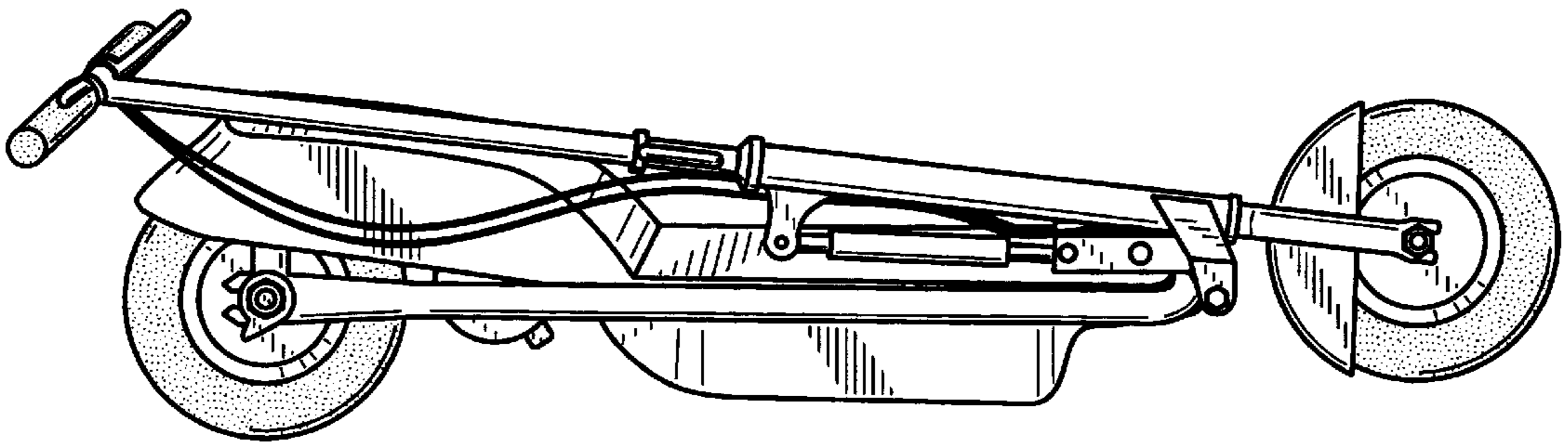


FIG._10

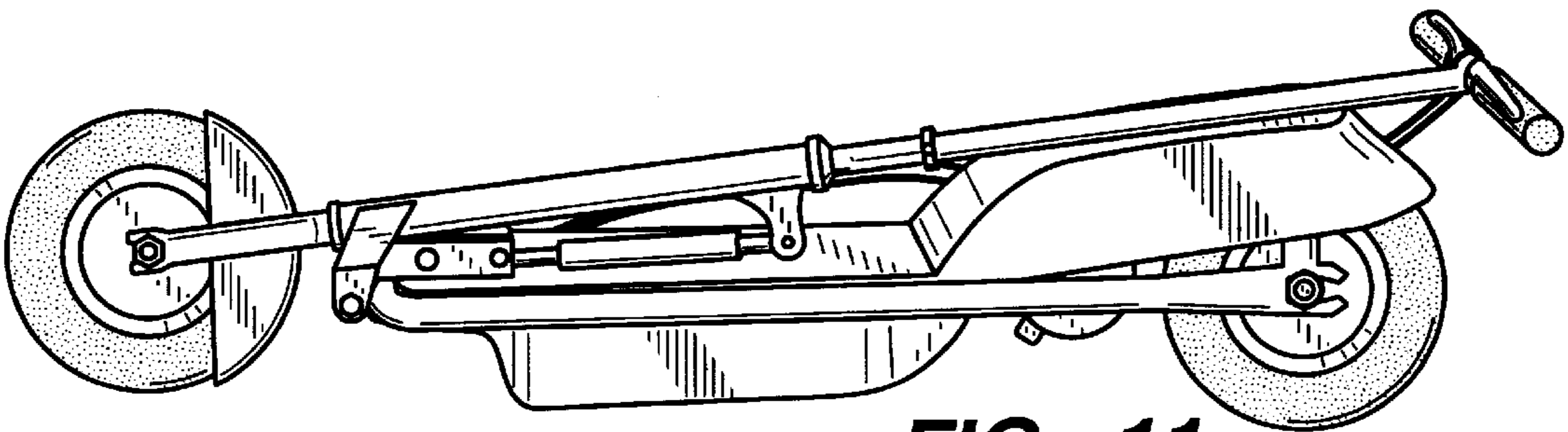


FIG._11

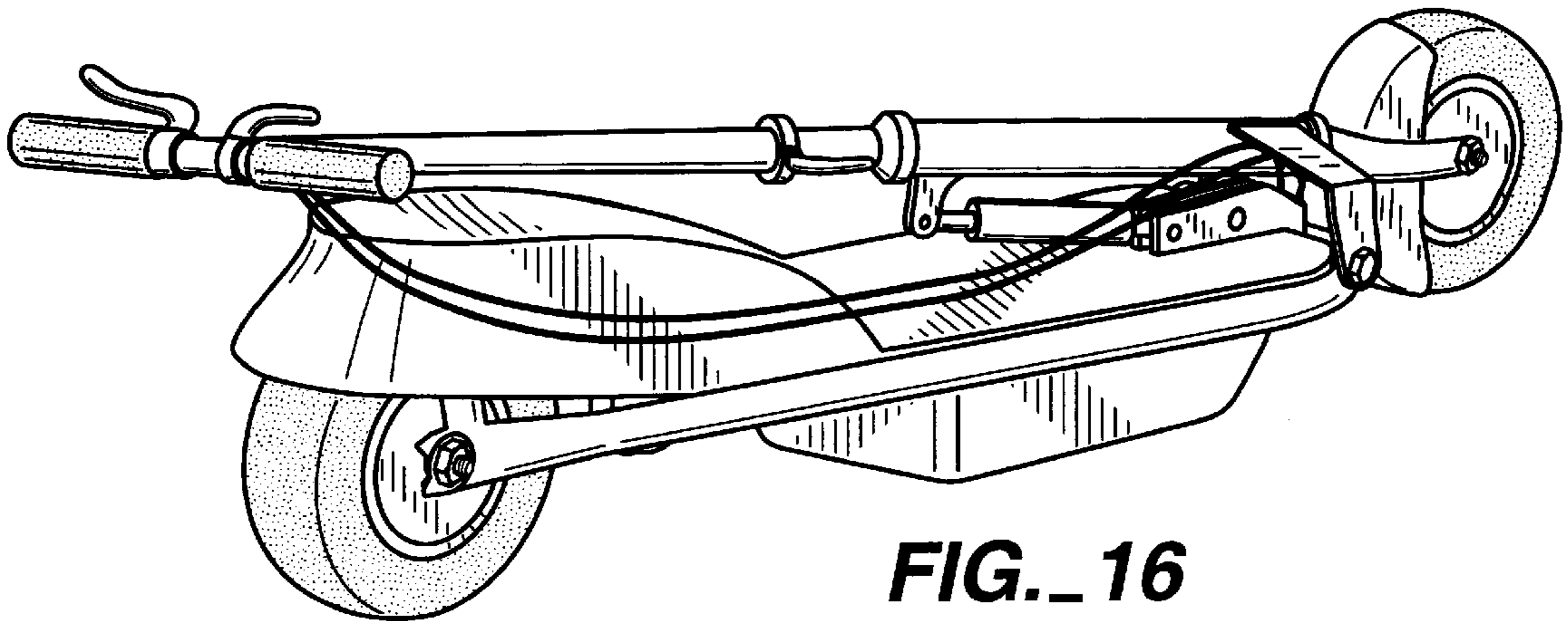


FIG._16

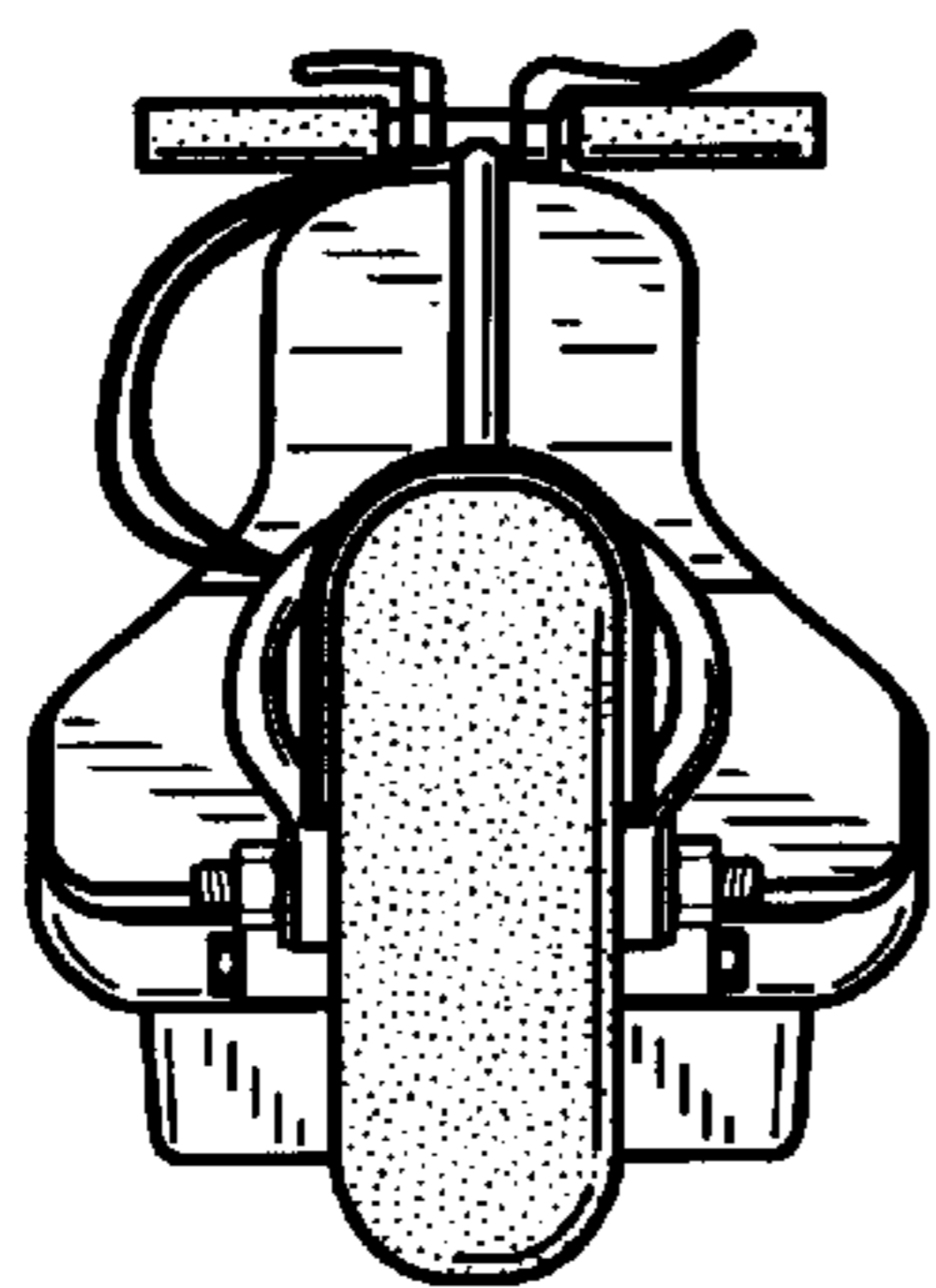


FIG. 12

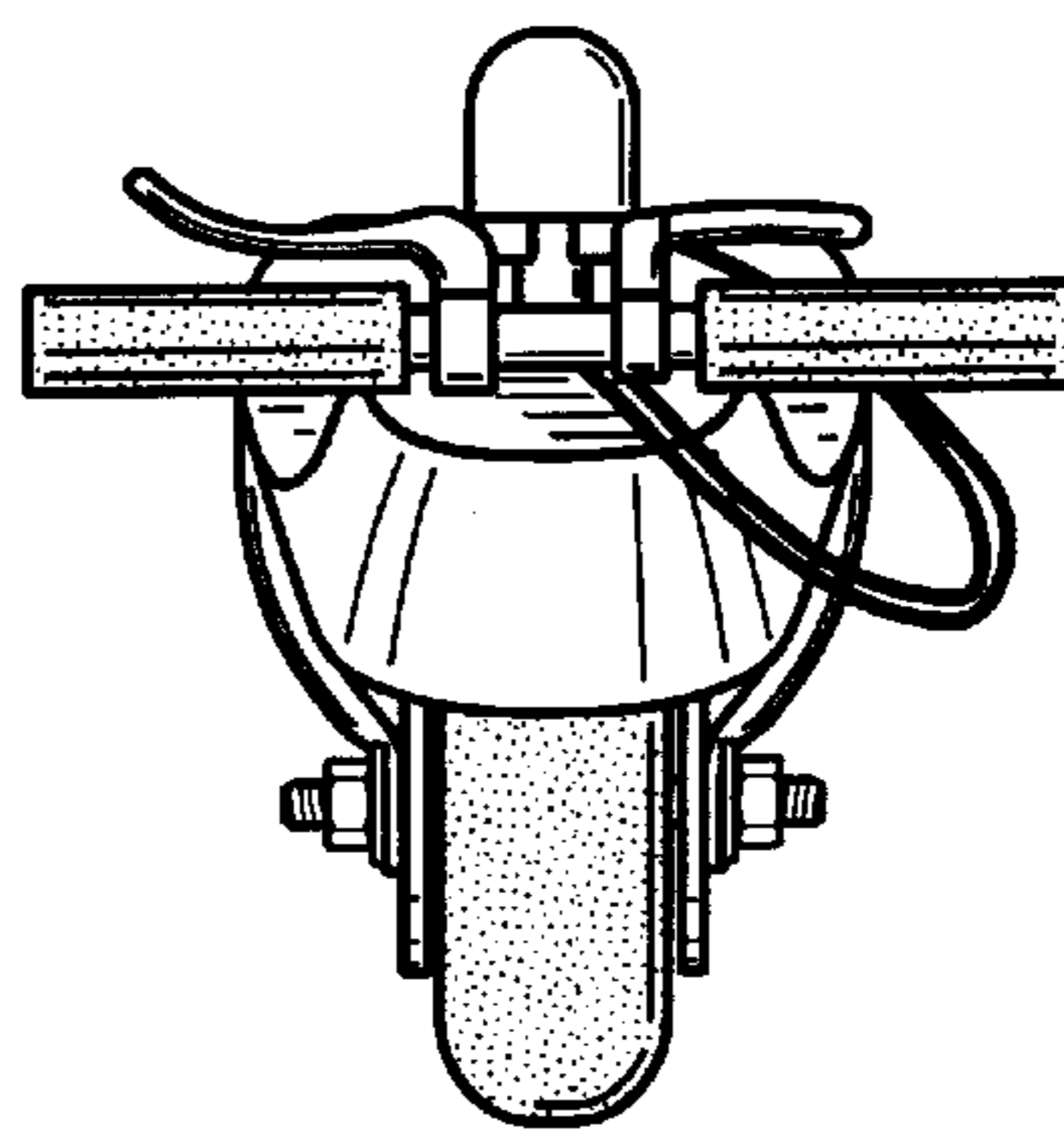


FIG. 13

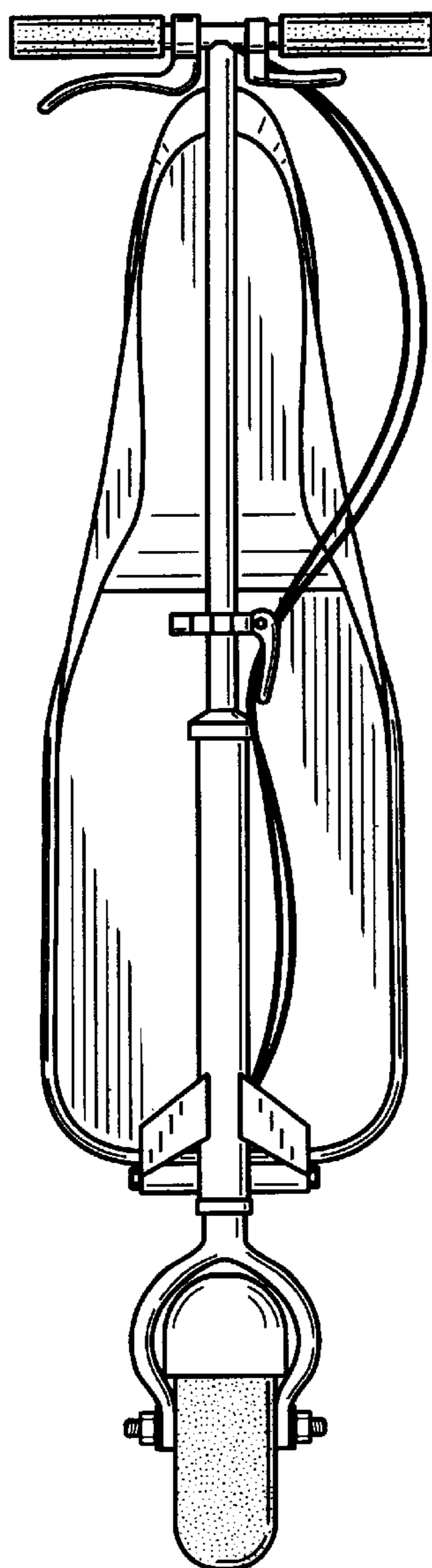


FIG. 14

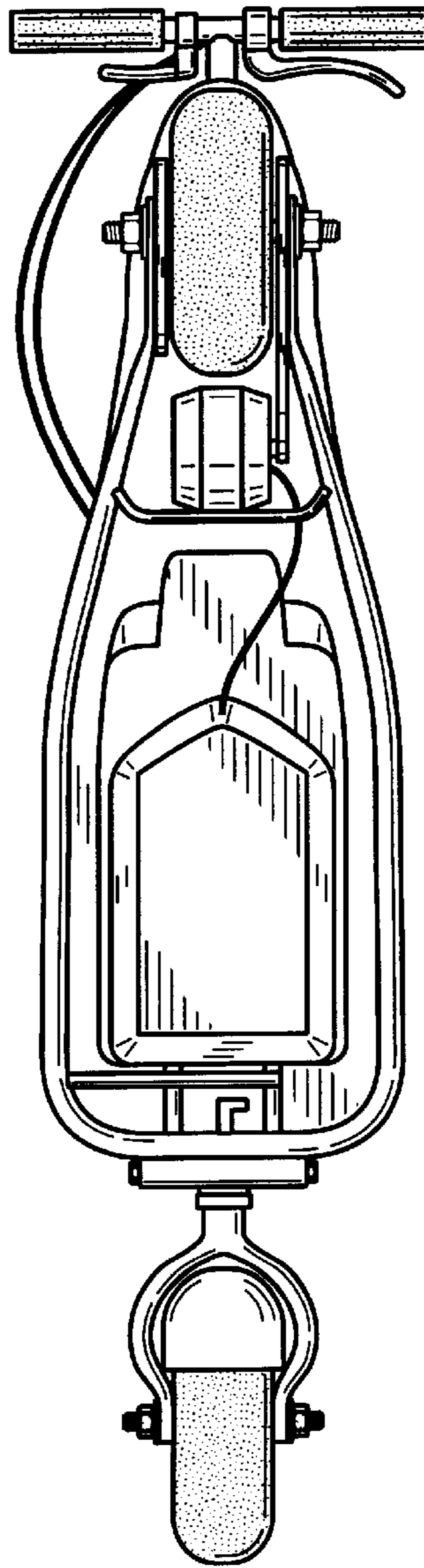


FIG. 15