



US00D433708S

United States Patent [19] Chiang

[11] Patent Number: **Des. 433,708**

[45] Date of Patent: **** Nov. 14, 2000**

[54] **PUNCH MACHINE**

[76] Inventor: **Chou Chih Chiang**, 13, 23rd Road,
Taichung Industrial District, Taichung,
Taiwan

[**] Term: **14 Years**

[21] Appl. No.: **29/119,122**

[22] Filed: **Feb. 23, 2000**

[51] **LOC (7) Cl.** **19-02**

[52] **U.S. Cl.** **D19/72; D19/65**

[58] **Field of Search** D19/65, 72, 95,
D19/99, 100; D8/49-51, 98, 105; 83/167,
166, 467.1, 559, 560, 582, 588, 613, 618,
628, 633, 667, 669, 684; 30/358, 363

[56] **References Cited**

U.S. PATENT DOCUMENTS

D. 106,487 8/1937 Peterson D8/49
D. 132,970 7/1942 Budlong D19/72

D. 329,254 9/1992 Mori D19/72
D. 360,225 7/1995 Yang D19/72
2,608,255 8/1952 Mitchell 83/628
5,664,473 9/1997 Huang 83/620
5,974,929 11/1999 Kugel et al. 83/582

Primary Examiner—Martie K. Holtje
Attorney, Agent, or Firm—Pro-Techtor International
Services

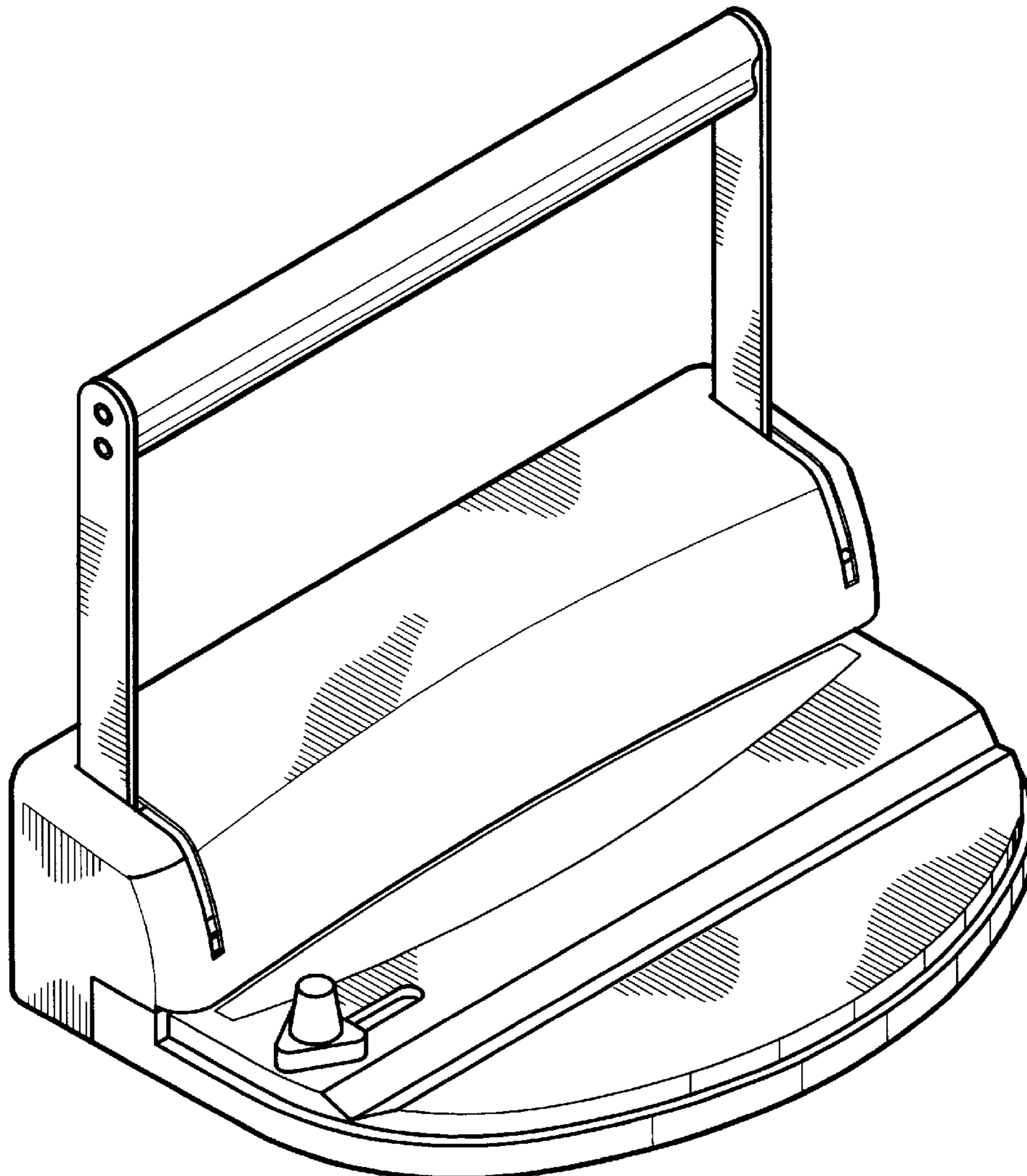
[57] CLAIM

The ornamental design for a punch machine, as shown.

DESCRIPTION

FIG. 1 is a front left perspective view of a punch machine showing my design;
FIG. 2 is a front view thereof;
FIG. 3 is a rear view thereof;
FIG. 4 is a left side elevation view thereof;
FIG. 5 is a right side elevation view thereof;
FIG. 6 is a top plan view thereof; and,
FIG. 7 is a bottom plan view thereof.

1 Claim, 4 Drawing Sheets



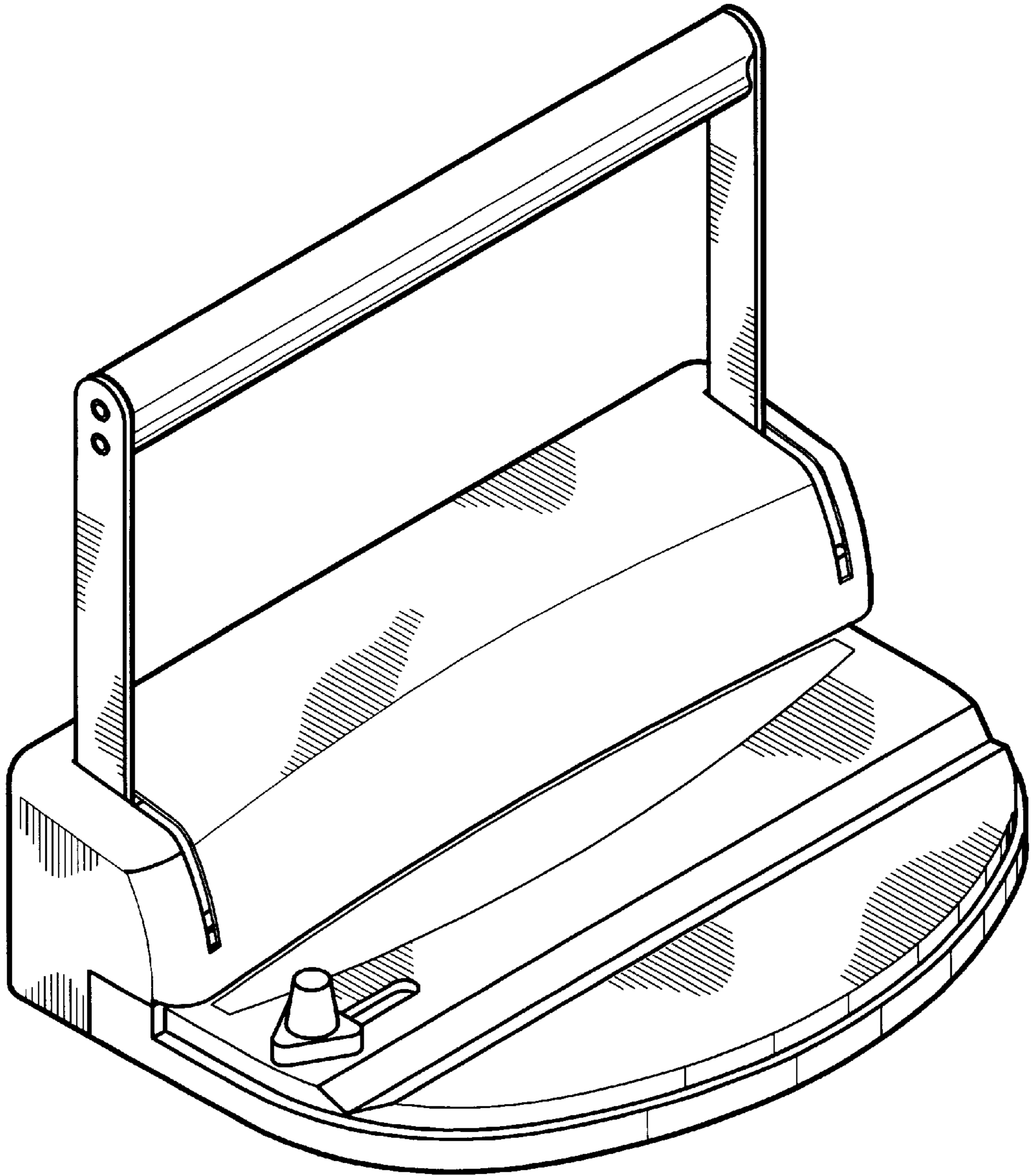


FIG. 1

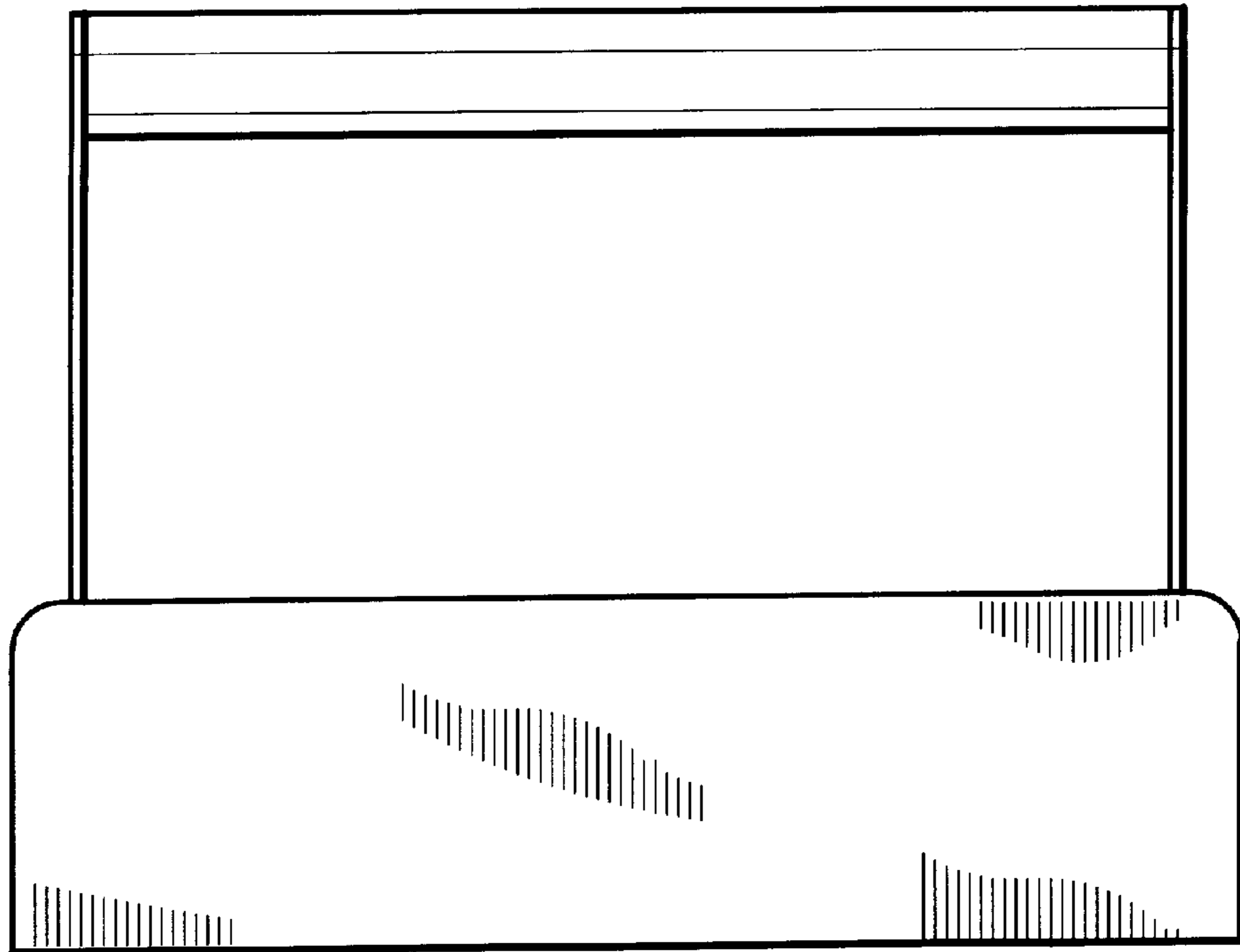


FIG. 2

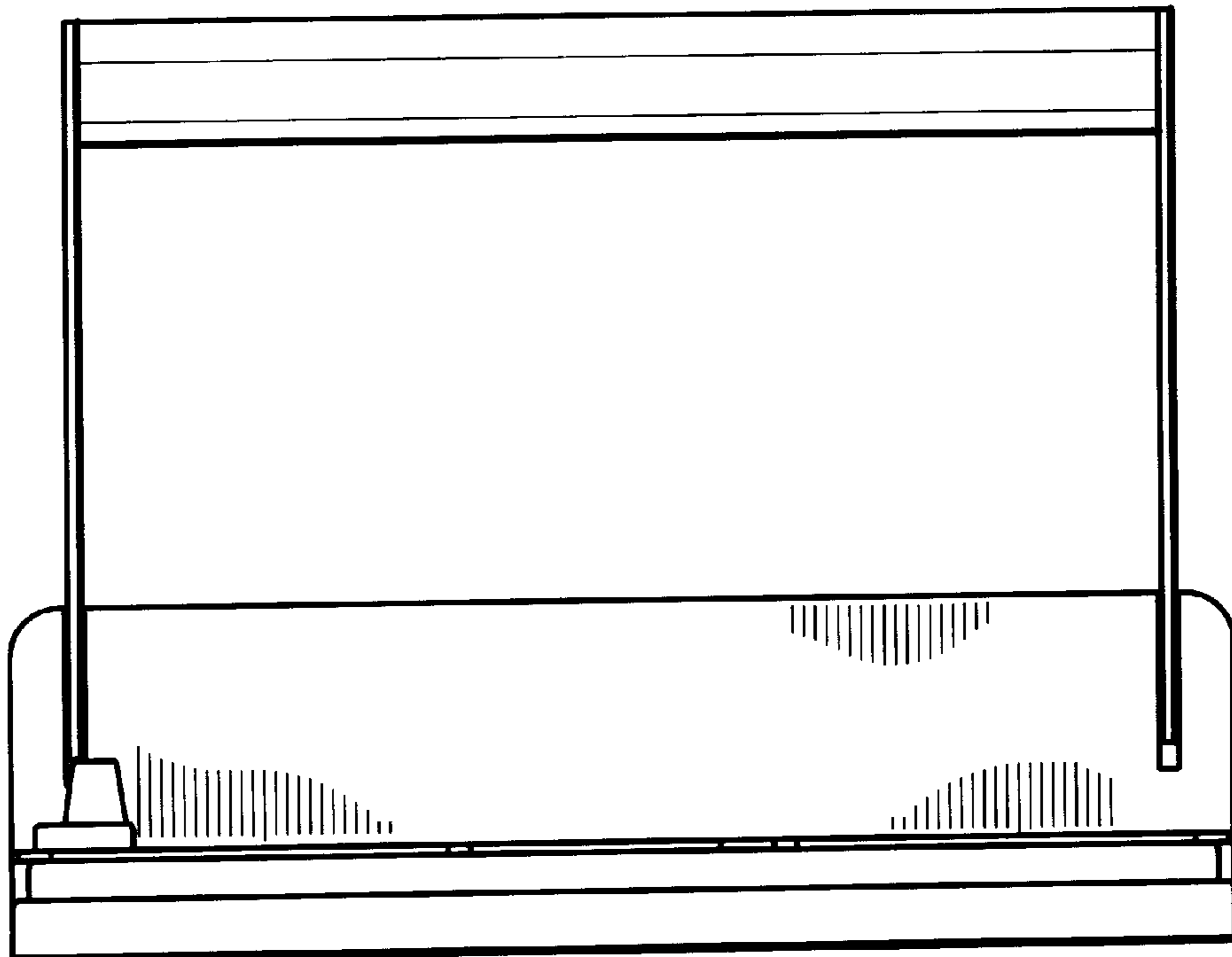


FIG. 3

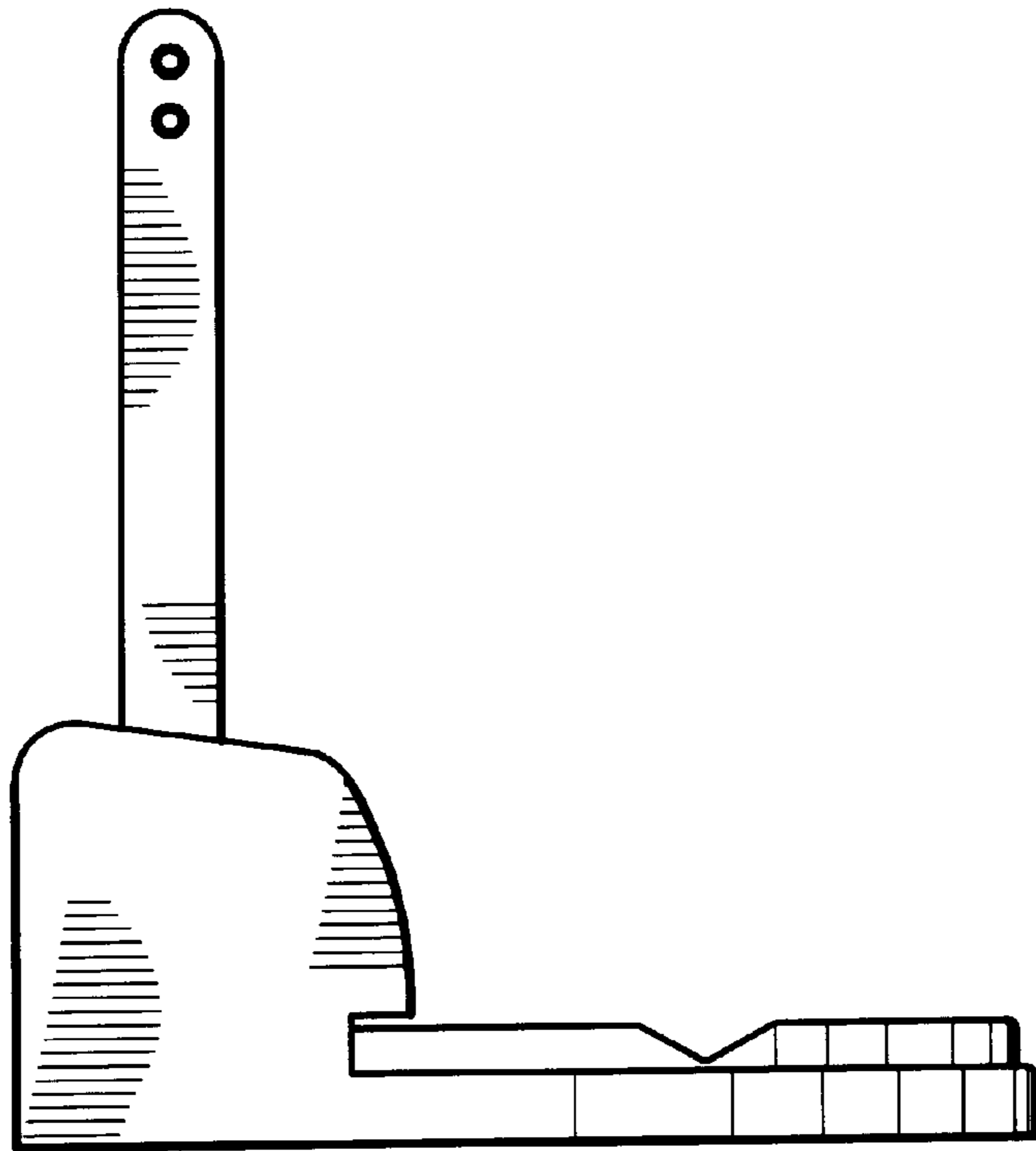


FIG. 4

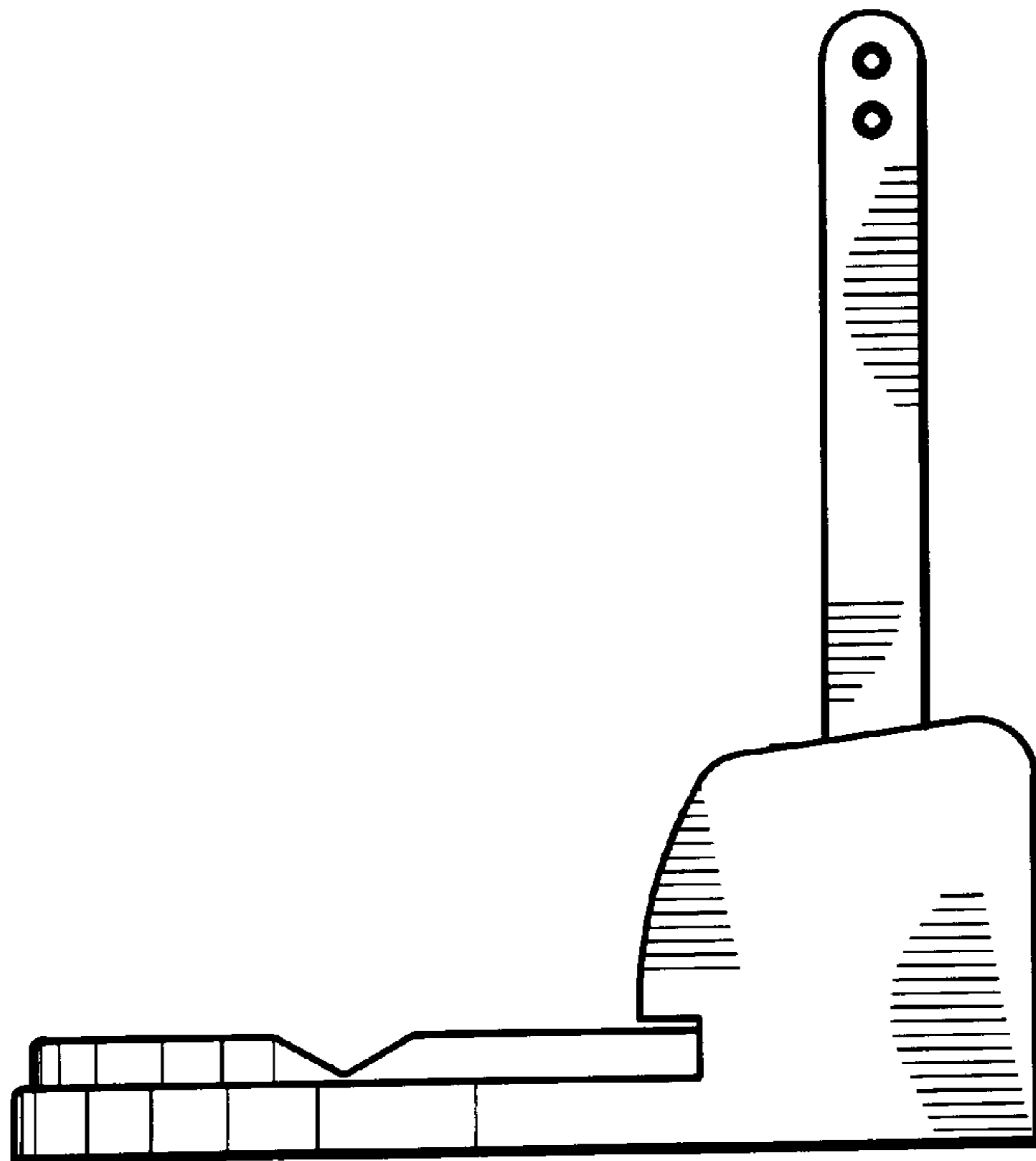


FIG. 5

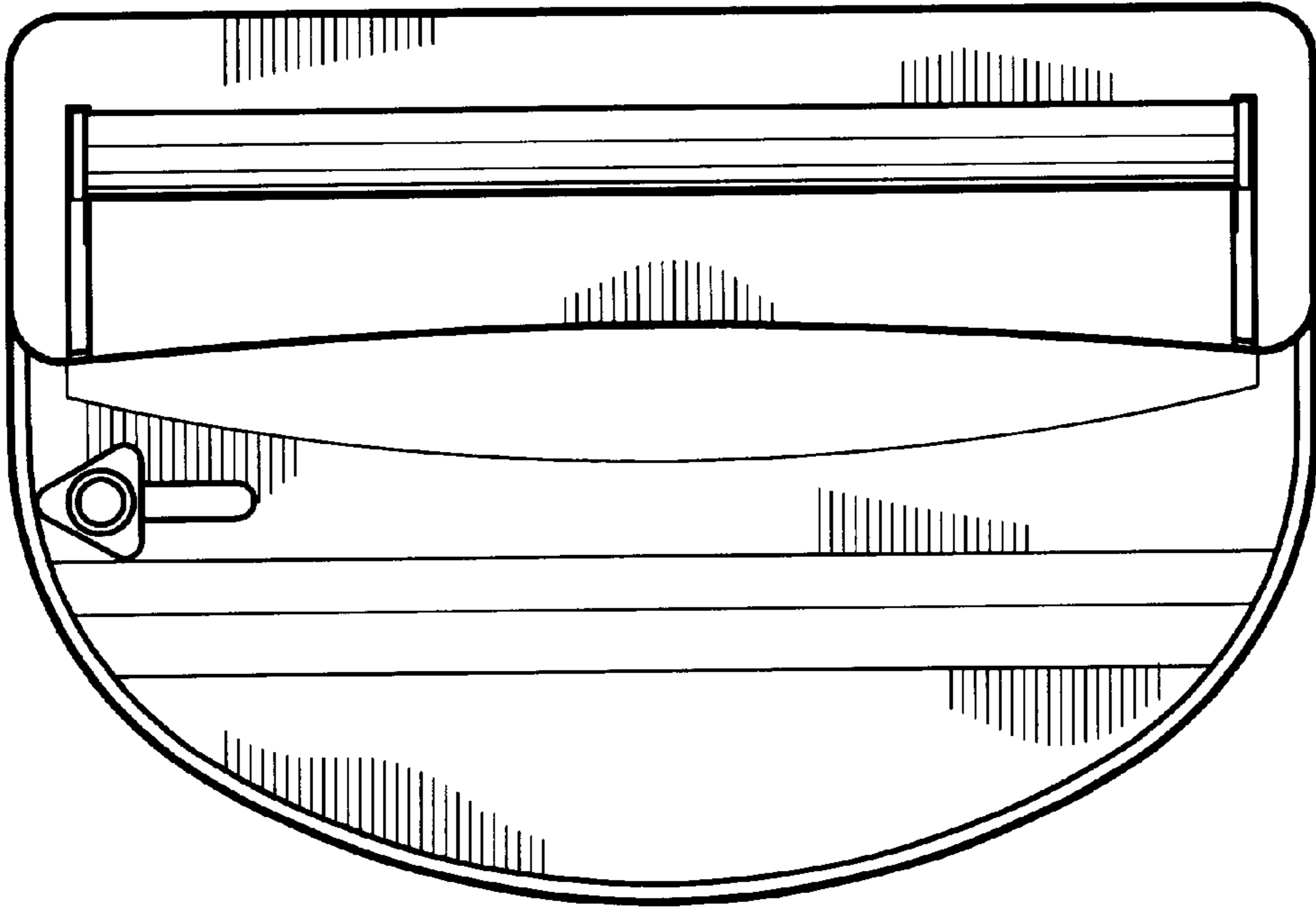


FIG. 6

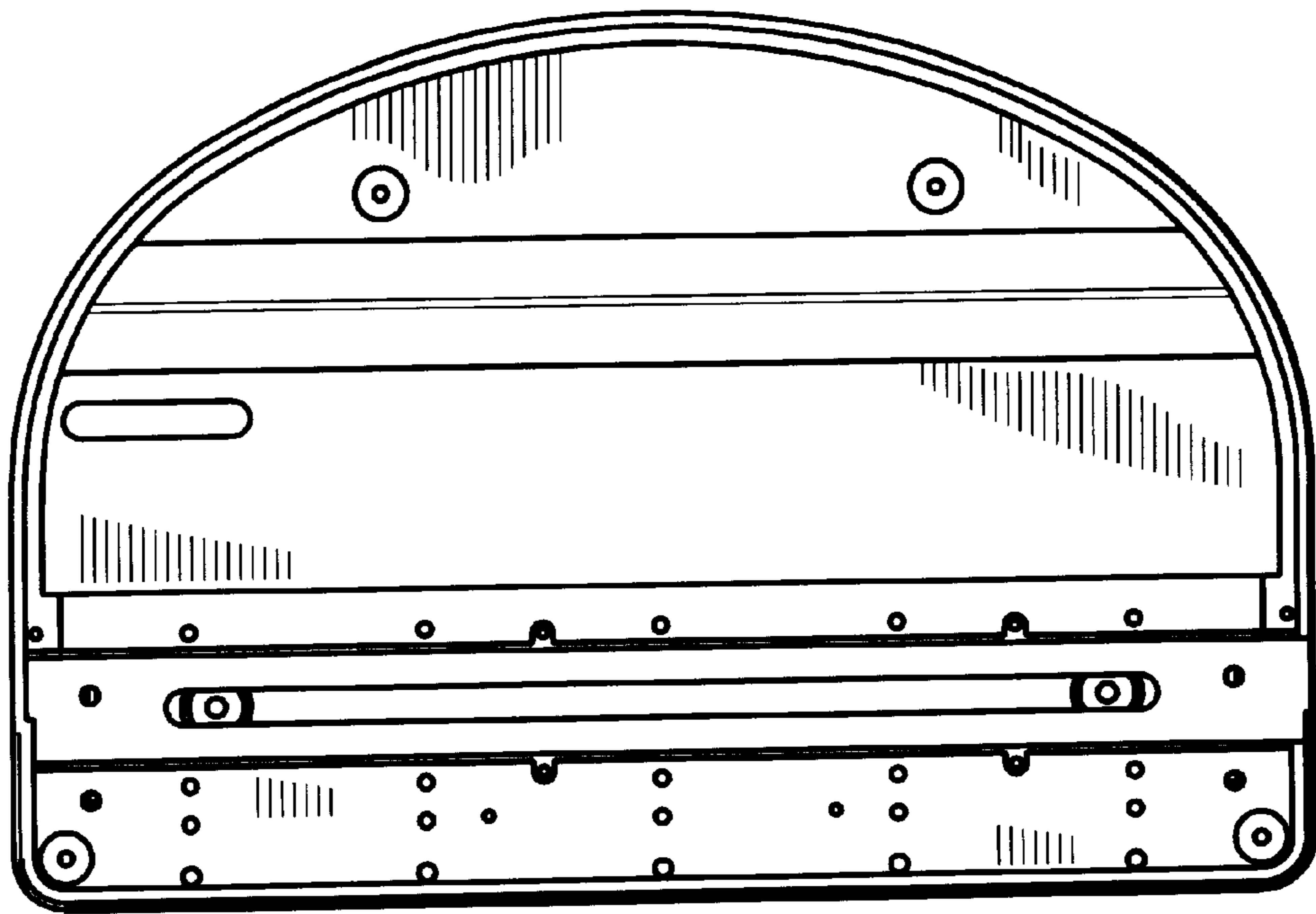


FIG. 7