



US00D433705S

**United States Patent** [19]  
**Kohlhase**

[11] **Patent Number: Des. 433,705**

[45] **Date of Patent: \*\* Nov. 14, 2000**

[54] **WRITING IMPLEMENT**

[75] Inventor: **Jens Kohlhase**, Braunschweig,  
Germany

[73] Assignee: **Volkswagen AG**, Wolfsburg, Germany

[\*\*] Term: **14 Years**

[21] Appl. No.: **29/097,611**

[22] Filed: **Dec. 10, 1998**

[51] **LOC (7) Cl.** ..... **19-06**

[52] **U.S. Cl.** ..... **D19/51; D19/48; D19/47;**  
D19/56

[58] **Field of Search** ..... D19/35, 36, 41-51,  
D19/53-58, 81-85; 401/6, 7, 88, 99, 100,  
209, 85

[56] **References Cited**

**U.S. PATENT DOCUMENTS**

D. 247,246 2/1978 Verona ..... D19/45

D. 324,238 2/1992 Nitta ..... D19/49  
D. 400,580 11/1998 Schmidt et al. .... D19/56 X  
D. 404,426 1/1999 Takanashi ..... D19/43  
928,733 7/1909 Bergquist ..... 401/85  
4,371,278 2/1983 Joo ..... 401/195

*Primary Examiner*—Martie K. Holtje  
*Attorney, Agent, or Firm*—Cohen, Pontani, Lieberman &  
Pavane

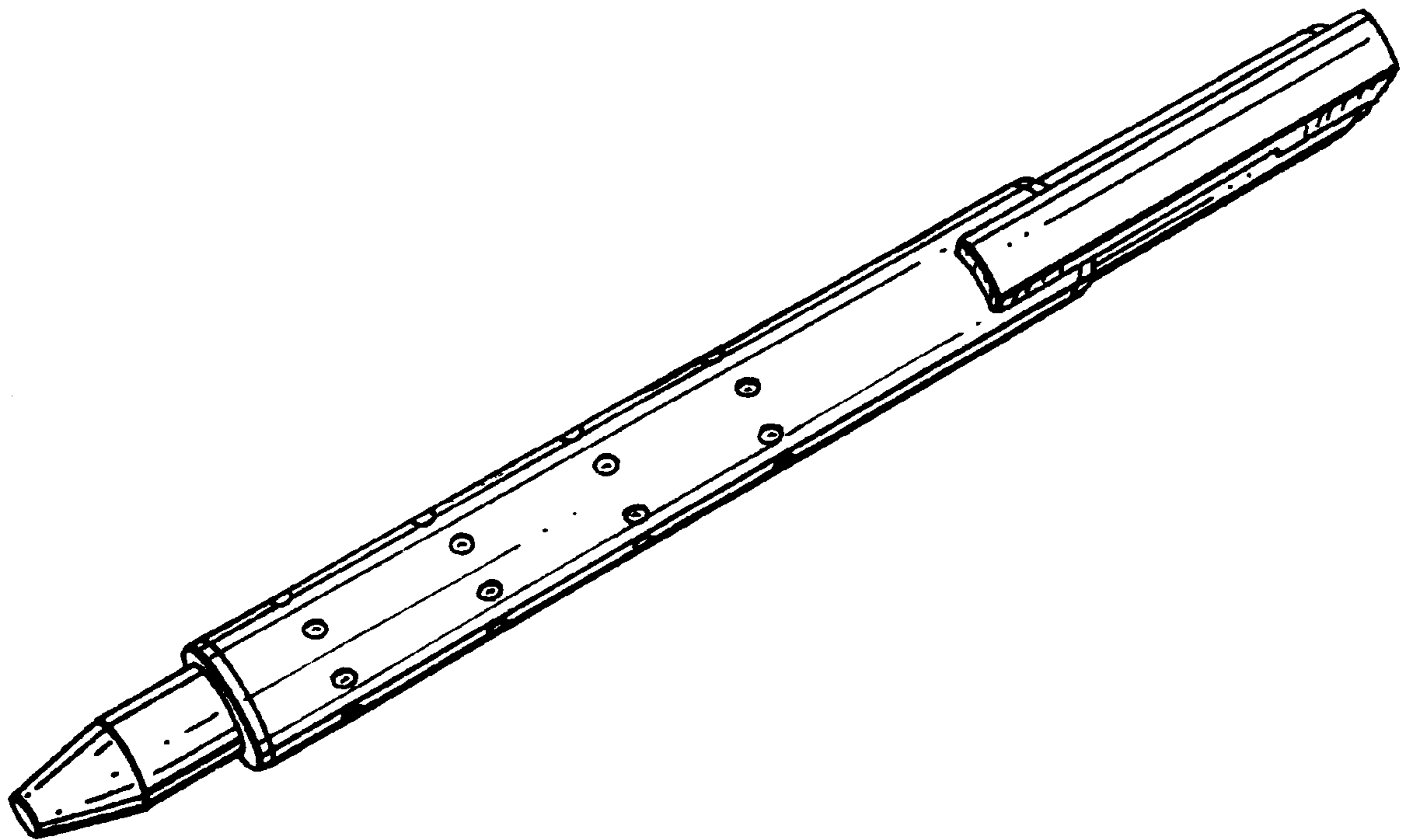
[57] **CLAIM**

The ornamental design for a writing implement, as shown.

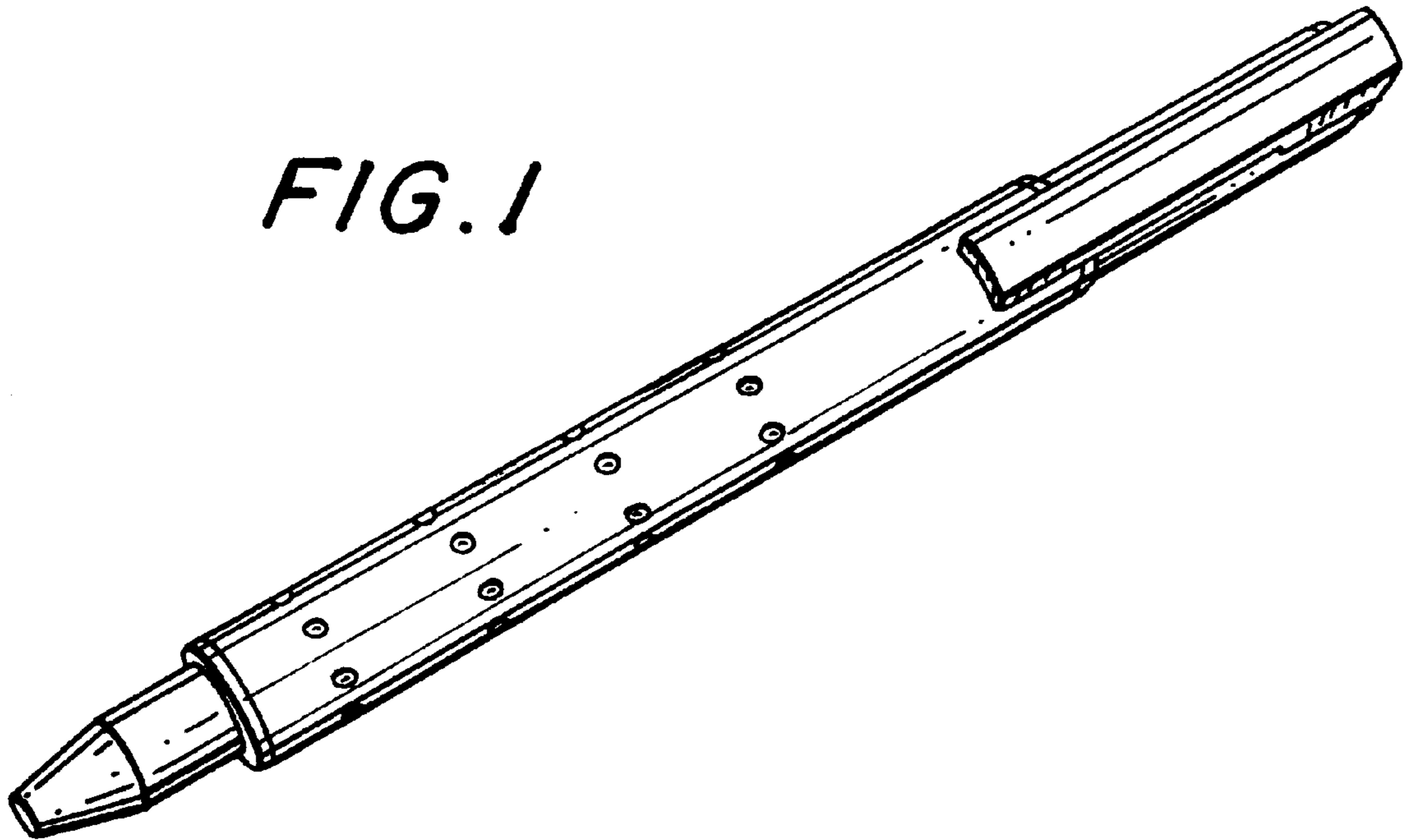
**DESCRIPTION**

FIG. 1 is a front perspective view of the writing implement of the present invention;  
FIG. 2 is a front elevational view thereof;  
FIG. 3 is a rear view thereof;  
FIG. 4 is a right side view thereof;  
FIG. 5 is a left side view thereof; and  
FIG. 6 is a bottom view thereof; and,  
FIG. 7 is a top view thereof.

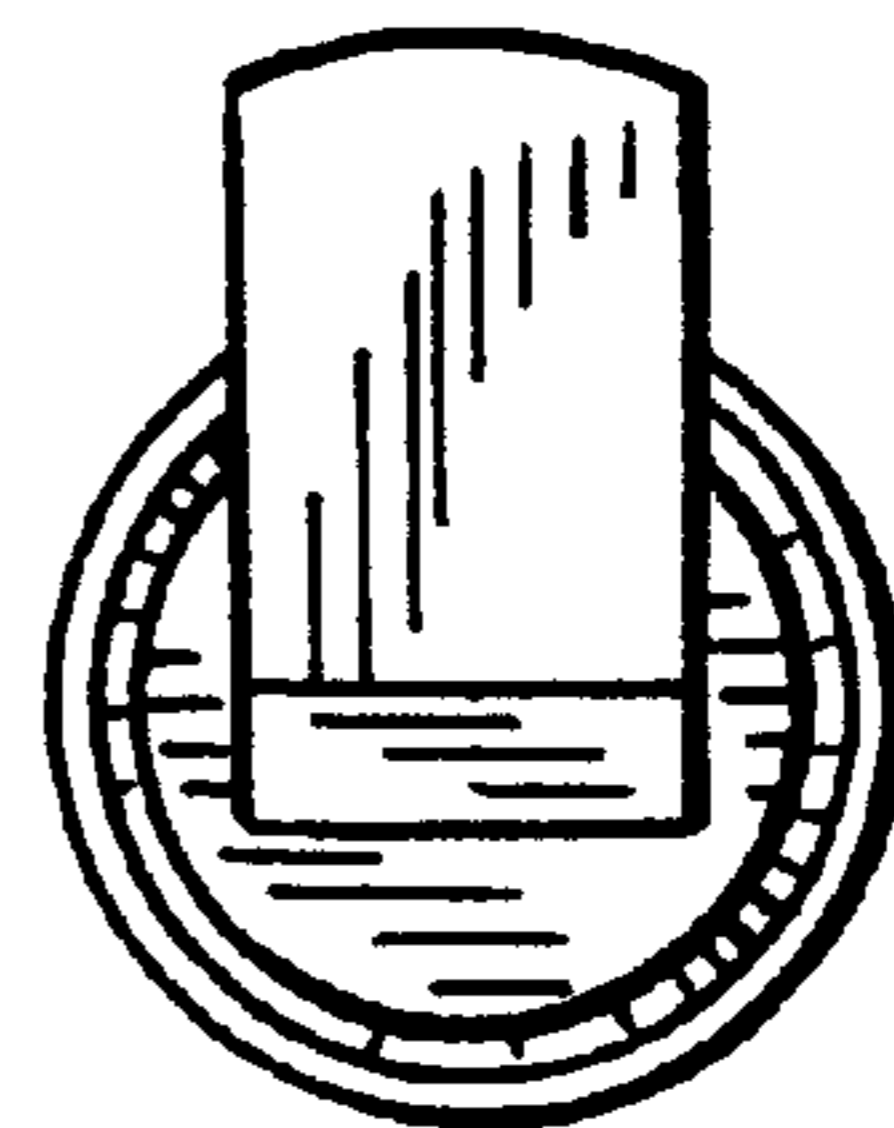
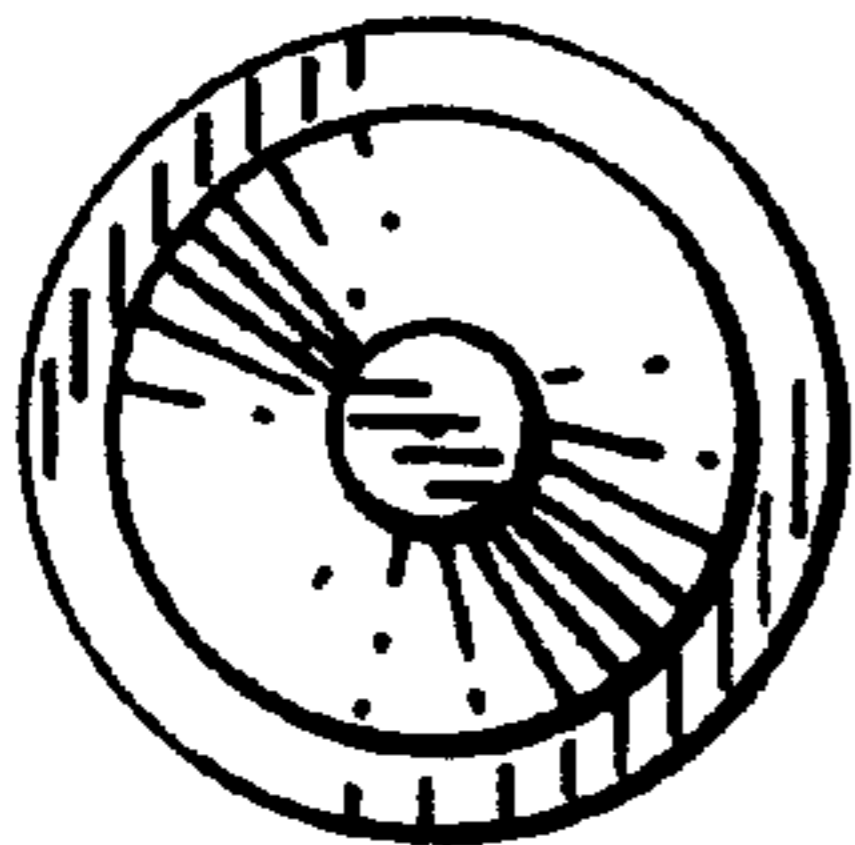
**1 Claim, 2 Drawing Sheets**



*FIG. 1*



*FIG. 6*



*FIG. 7*

FIG. 5

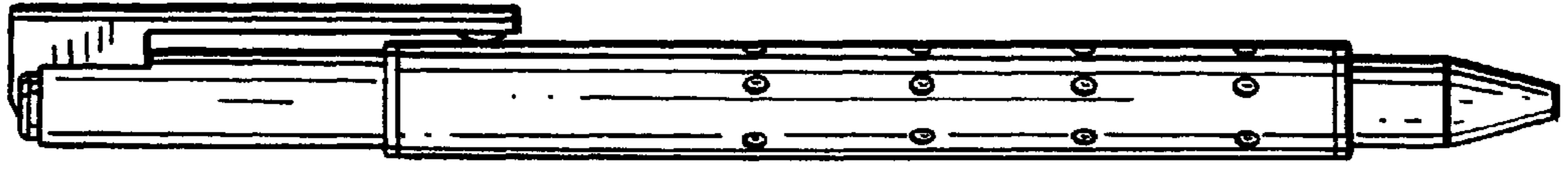


FIG. 4

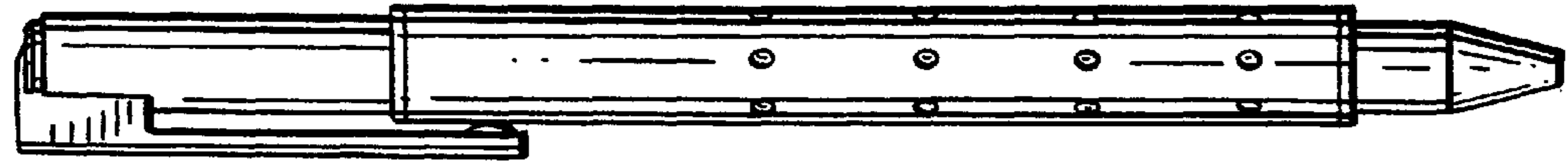


FIG. 3



FIG. 2

