



US00D433703S

# United States Patent [19]

Hosono et al.

[11] Patent Number: **Des. 433,703**

[45] Date of Patent: **\*\* \*Nov. 14, 2000**

[54] LABEL PRINTER

[75] Inventors: **Hiroo Hosono; Koji Shimobayashi,**  
both of Hachioji, Japan

[73] Assignee: **Olympus Optical Co., Ltd.,** Tokyo,  
Japan

[\*] Notice: This patent is subject to a terminal disclaimer.

[\*\*] Term: **14 Years**

[21] Appl. No.: **29/098,450**

[22] Filed: **Dec. 30, 1998**

### [30] Foreign Application Priority Data

Jul. 14, 1998 [JP] Japan ..... 10-20198

[51] LOC (7) Cl. .... **14-01**

[52] U.S. Cl. .... **D18/19; D18/50**

[58] Field of Search ..... D18/50, 54, 55,  
D18/4, 12, 14, 19; D14/105, 114, 100,  
118, 141; 48/691-694, 690.1-691.4, 613,  
613.1-613.4

### [56] References Cited

#### U.S. PATENT DOCUMENTS

- D. 284,368 6/1986 Stansbury, Jr. .... D14/141
- D. 298,316 11/1988 Maliskas ..... D14/141
- D. 320,599 10/1991 Ocepek ..... D14/141
- D. 322,276 12/1991 Paque ..... D18/54
- D. 339,156 9/1993 Sato et al. .... D18/50
- D. 340,065 10/1993 Fukuda ..... D18/50

- D. 343,411 1/1994 Chen ..... D18/50
- D. 355,926 2/1995 Mouri et al. .... D18/50
- D. 356,817 3/1995 Onumata et al. .... D18/19
- D. 369,825 5/1996 Yatabe et al. .... D18/50
- D. 376,793 12/1996 Satoh et al. .... D14/118
- D. 377,645 1/1997 Iwamoto et al. .... D14/105
- D. 379,826 6/1997 Portesi ..... D18/50
- D. 390,842 2/1998 Matsushima et al. .... D14/118

*Primary Examiner*—Louis S. Zarfes  
*Assistant Examiner*—Gregory Andoll  
*Attorney, Agent, or Firm*—Laff, Whitesel & Saret, Ltd.; J. Warren Whitesel

### [57] CLAIM

The ornamental design for label printer, as shown and described.

### DESCRIPTION

FIG. 1 is a top plan view of labrl printer, showing our new design;  
FIG. 2 is a front elevational view thereof;  
FIG. 3 is a bottom plan view thereof;  
FIG. 4 is a left side elevational view thereof;  
FIG. 5 is a right side elevational view thereof;  
FIG. 6 is a rear elevational view thereof;  
FIG. 7 is a front, bottom and left side perspective view thereof; and,  
FIG. 8 is a front, bottom and left side perspective view thereof with a cover in an opened position and a cartridge in an inserting position, the broken line portion depicting a cartridge is shown for illustrative purpose only and forms no part of the claimed design.

**1 Claim, 3 Drawing Sheets**

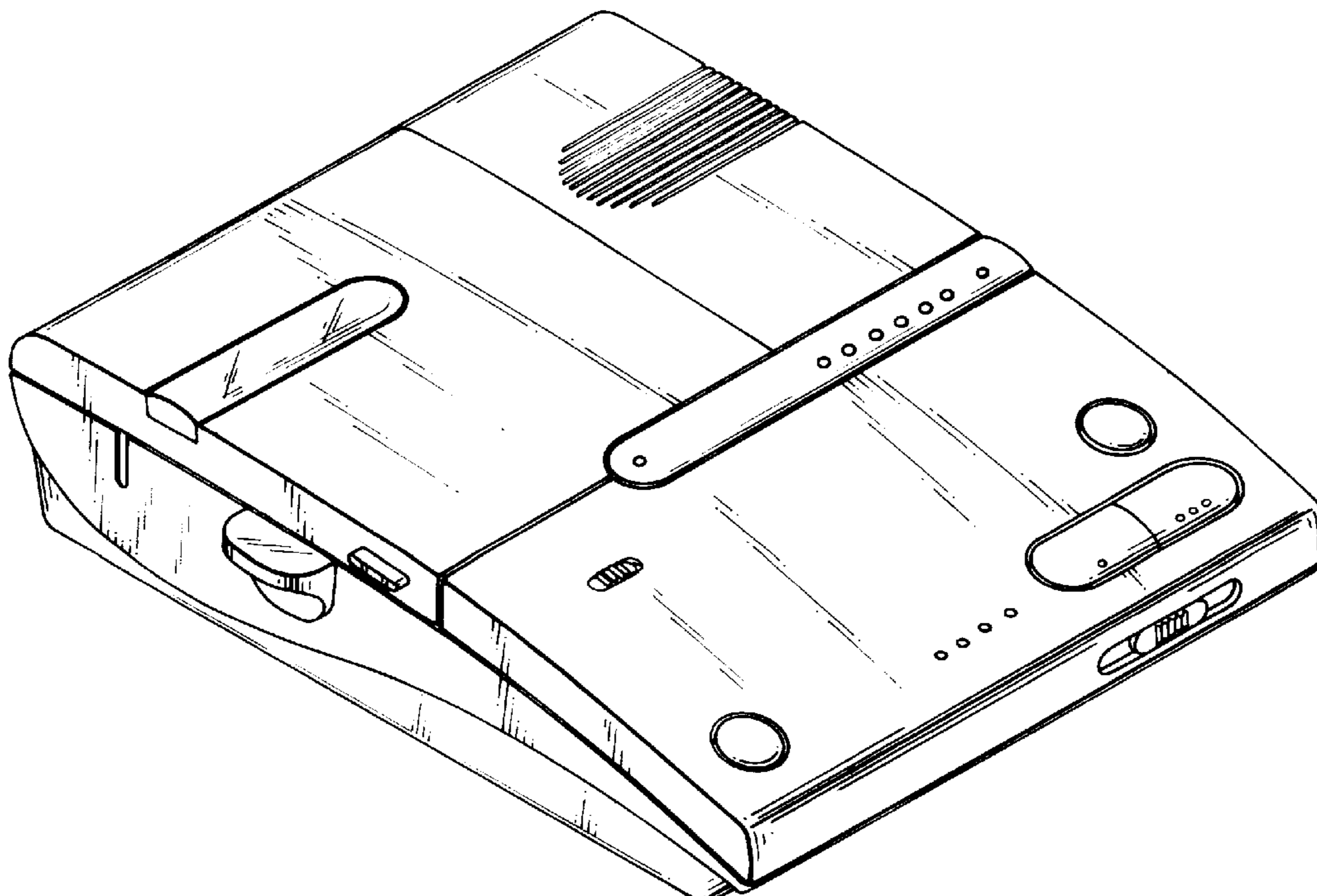


FIG. 1

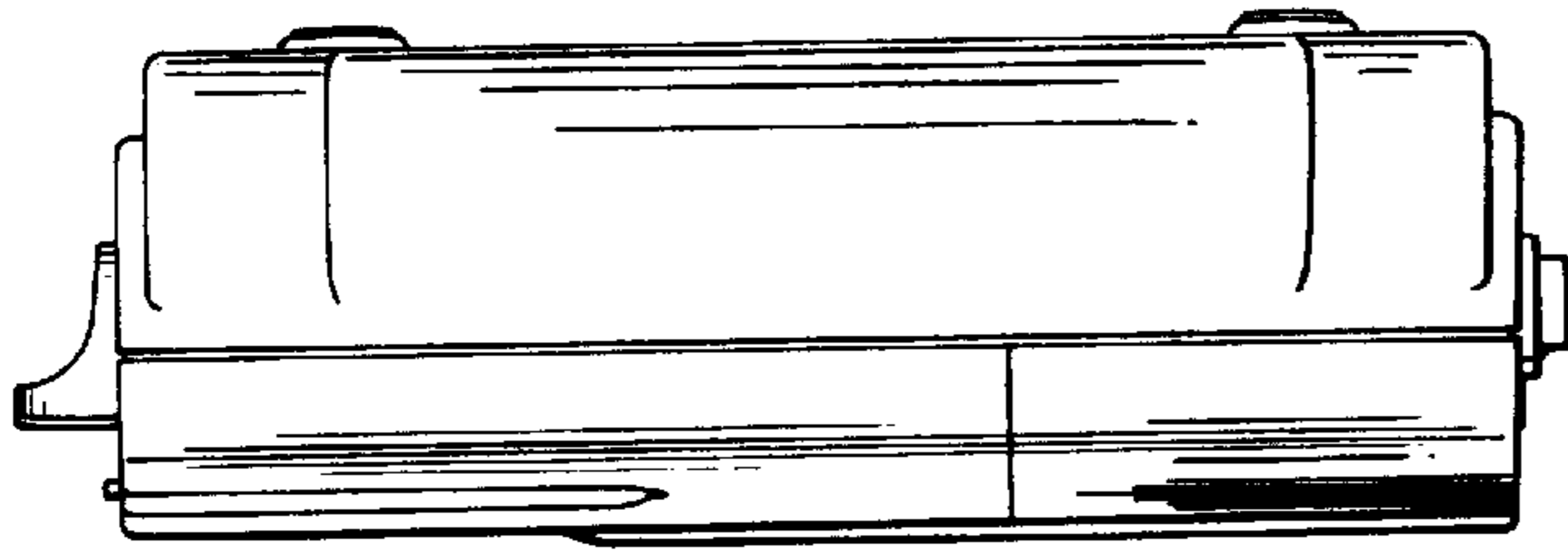


FIG. 4

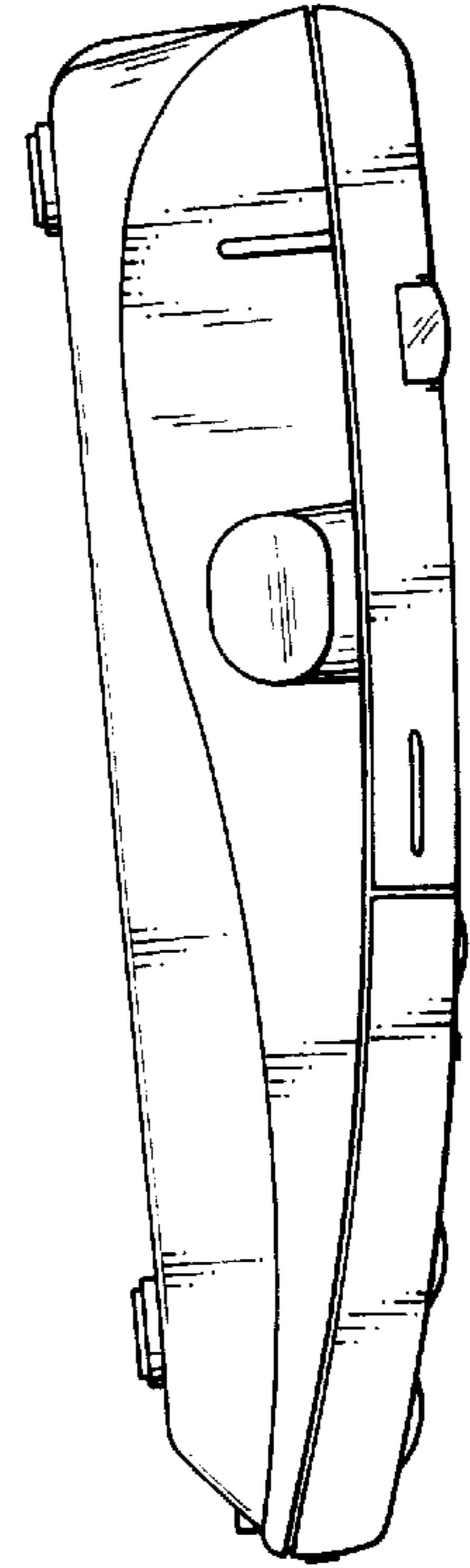


FIG. 2

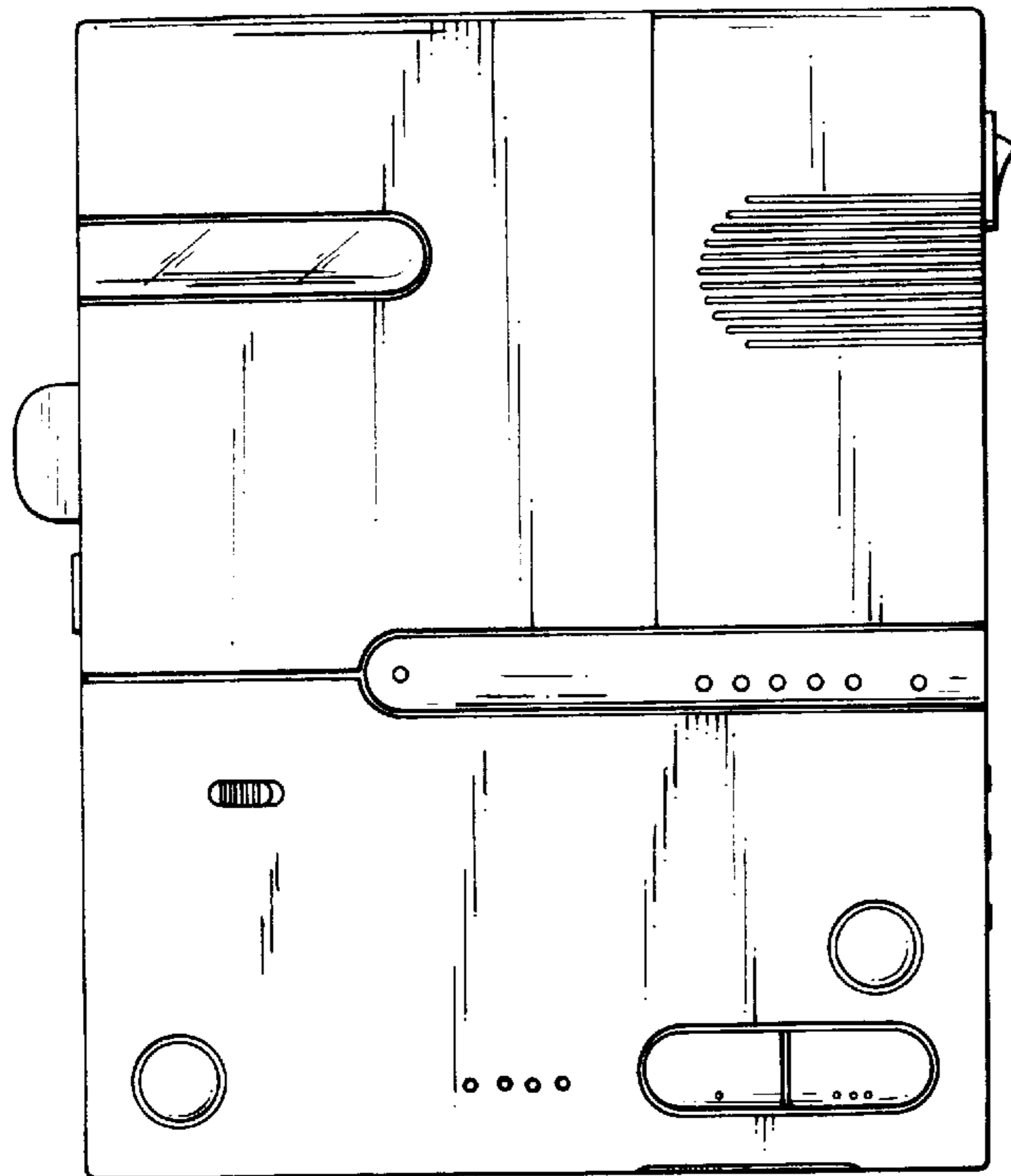


FIG. 5

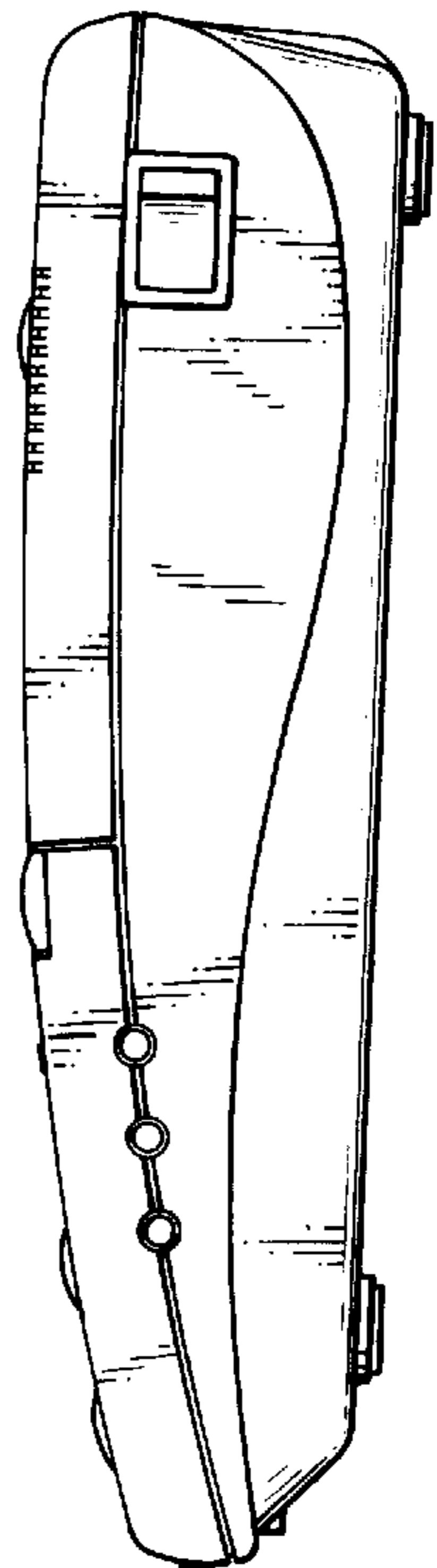


FIG. 3

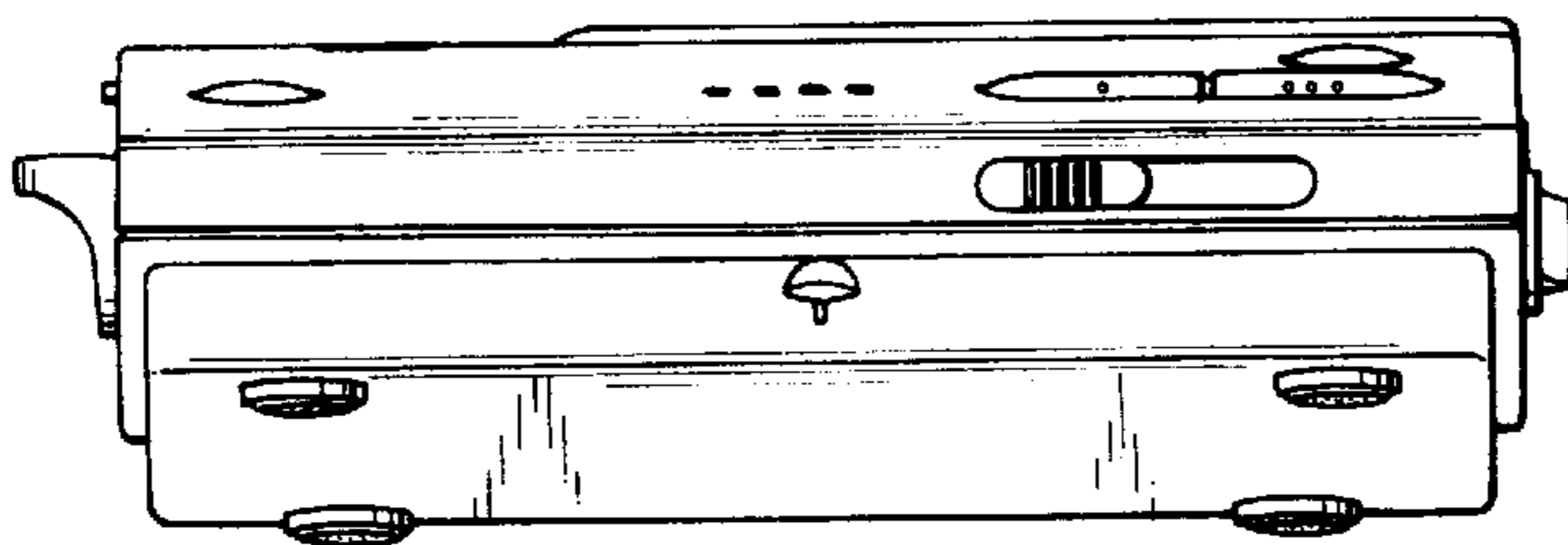


FIG. 6

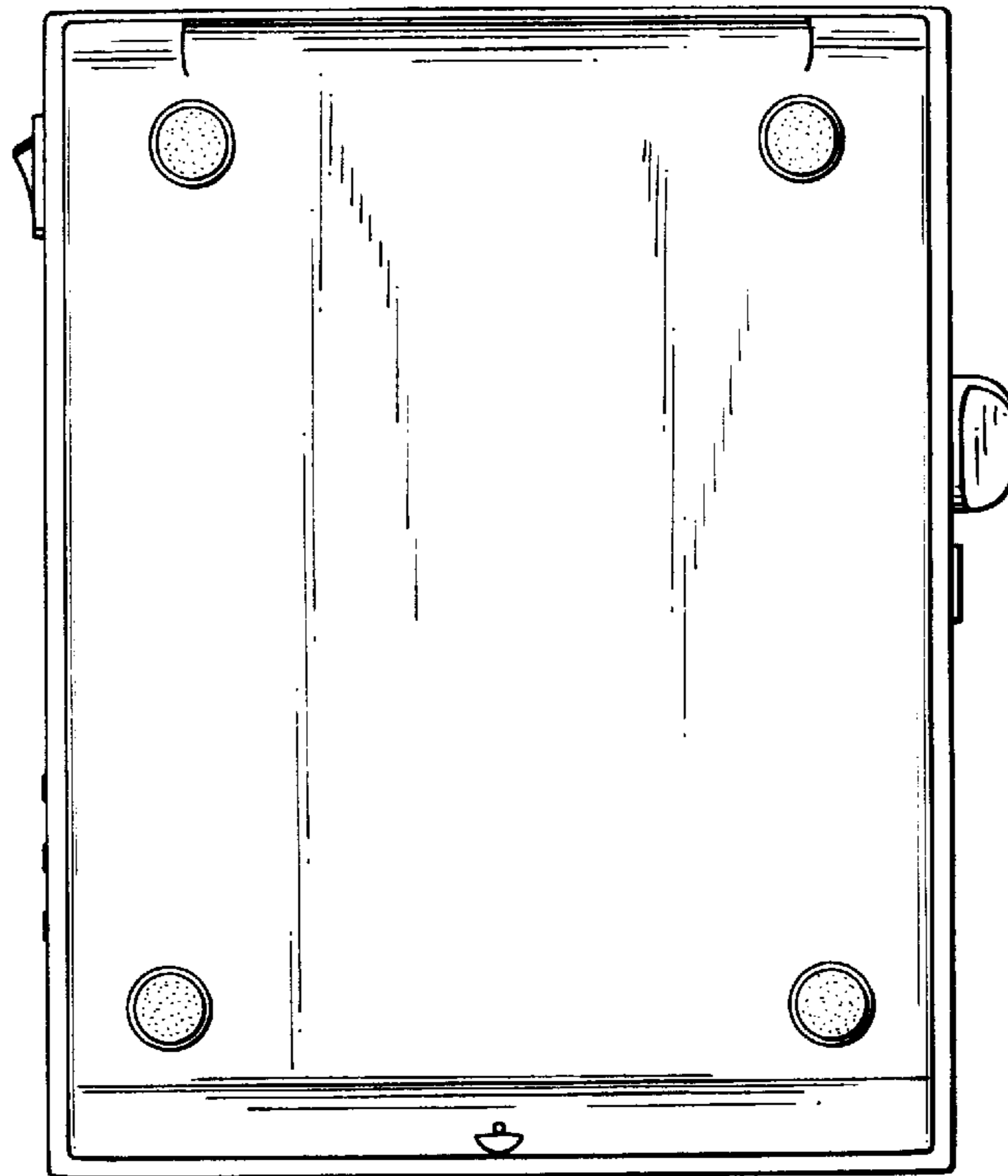


FIG. 7

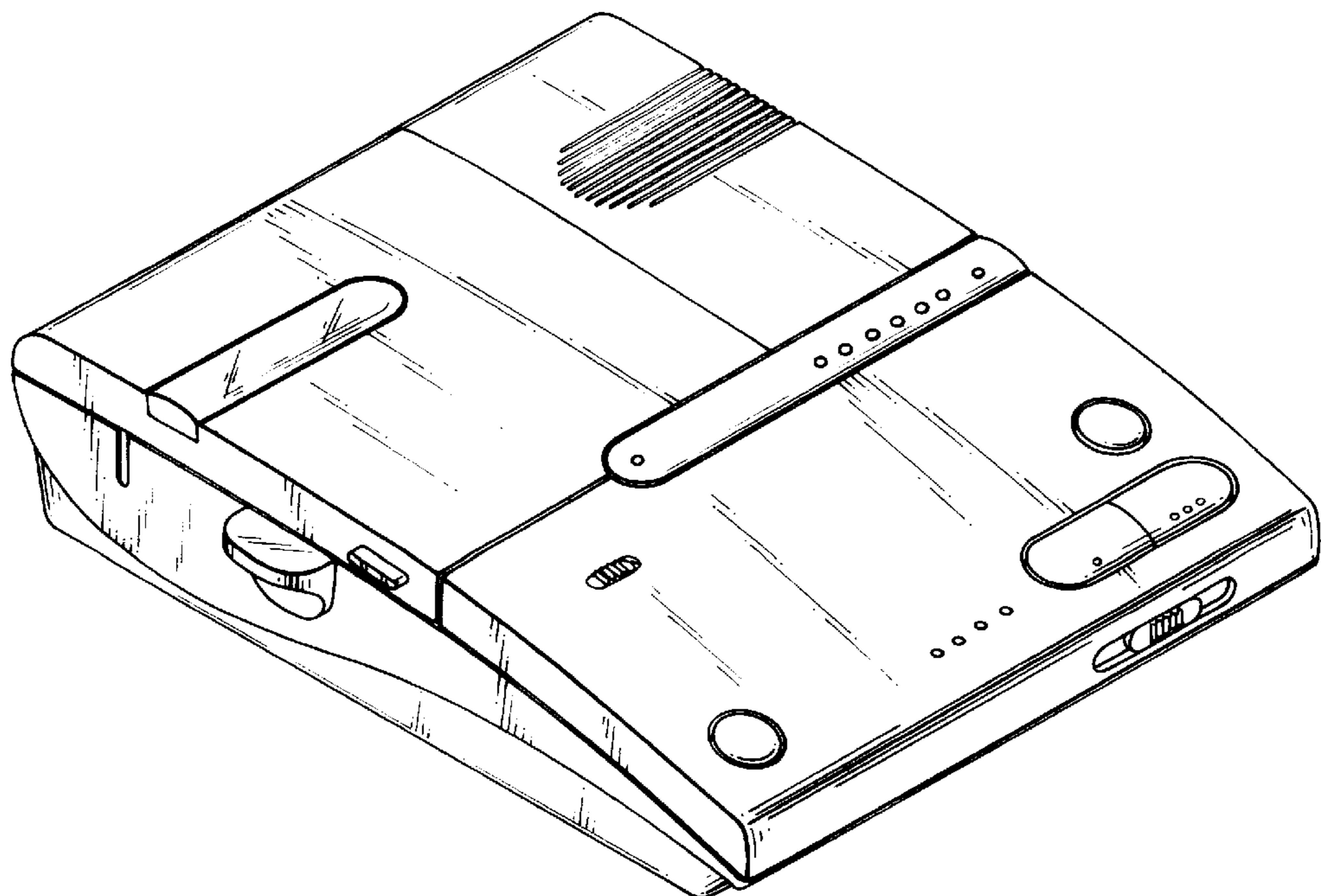




FIG. 8

