



US00D433696S

United States Patent [19]
Palmieri

[11] **Patent Number: Des. 433,696**

[45] **Date of Patent: ** Nov. 14, 2000**

[54] **PHOTOFLASH PROJECTION DEVICE**

Attorney, Agent, or Firm—Jackson Walker LLP

[76] Inventor: **James R. Palmieri**, 600 W. Sunset Rd.,
Suite 3119, San Antonio, Tex. 78216

[57] **CLAIM**

The ornamental design for a a photoflash projection device,
as shown.

[**] Term: **14 Years**

DESCRIPTION

[21] Appl. No.: **29/118,416**

FIG. 1 is a front perspective view of Applicant's photoflash
projection device.

[22] Filed: **Feb. 8, 2000**

FIG. 2 is a rear perspective view of Applicant's photoflash
projection device.

[51] **LOC (7) Cl.** **16-05**

[52] **U.S. Cl.** **D16/239**

FIG. 3 is a top elevational view of Applicant's photoflash
projection device.

[58] **Field of Search** D16/237, 239,
D16/240; 396/155, 182, 190, 198

FIG. 4 is a front elevational view of Applicant's photoflash
projection device.

[56] **References Cited**

FIG. 5 is a left side elevational view of Applicant's
photoflash projection device.

U.S. PATENT DOCUMENTS

D. 224,055	6/1972	Quinnn	D16/239
D. 248,859	8/1978	Asaki	D16/239
D. 271,210	11/1983	Shull	D16/239
3,852,790	12/1974	Wagner	396/190
4,110,770	8/1978	Lange	396/541
5,023,639	6/1991	Ushiro et al.	396/182

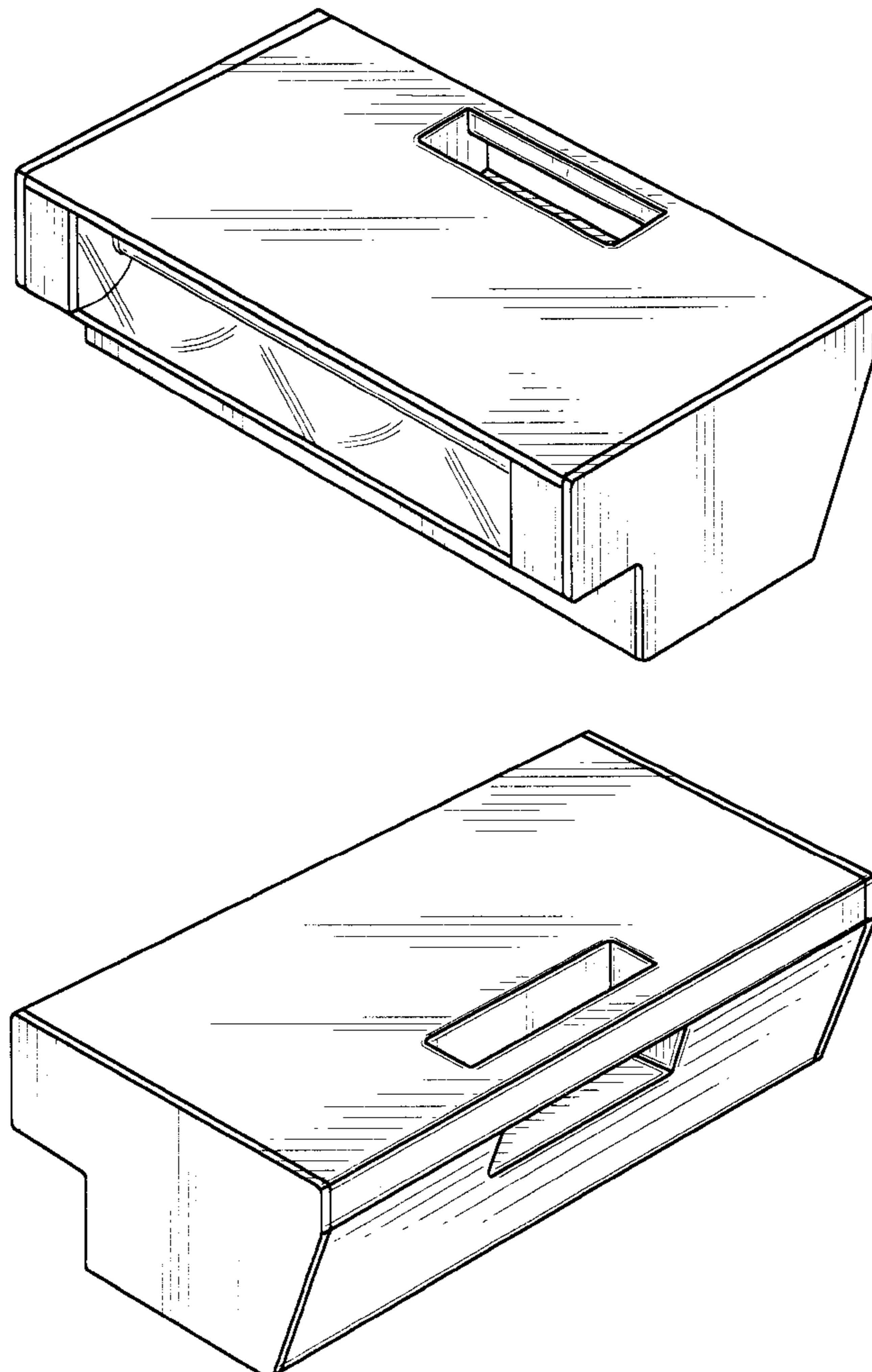
FIG. 6 is a right side elevational view of Applicant's
photoflash projection device.

FIG. 7 is a rear elevational view of Applicant's photoflash
projection device; and,

FIG. 8 is a bottom elevational view of Applicant's
photoflash projection device.

Primary Examiner—Adir Aronovich

1 Claim, 3 Drawing Sheets



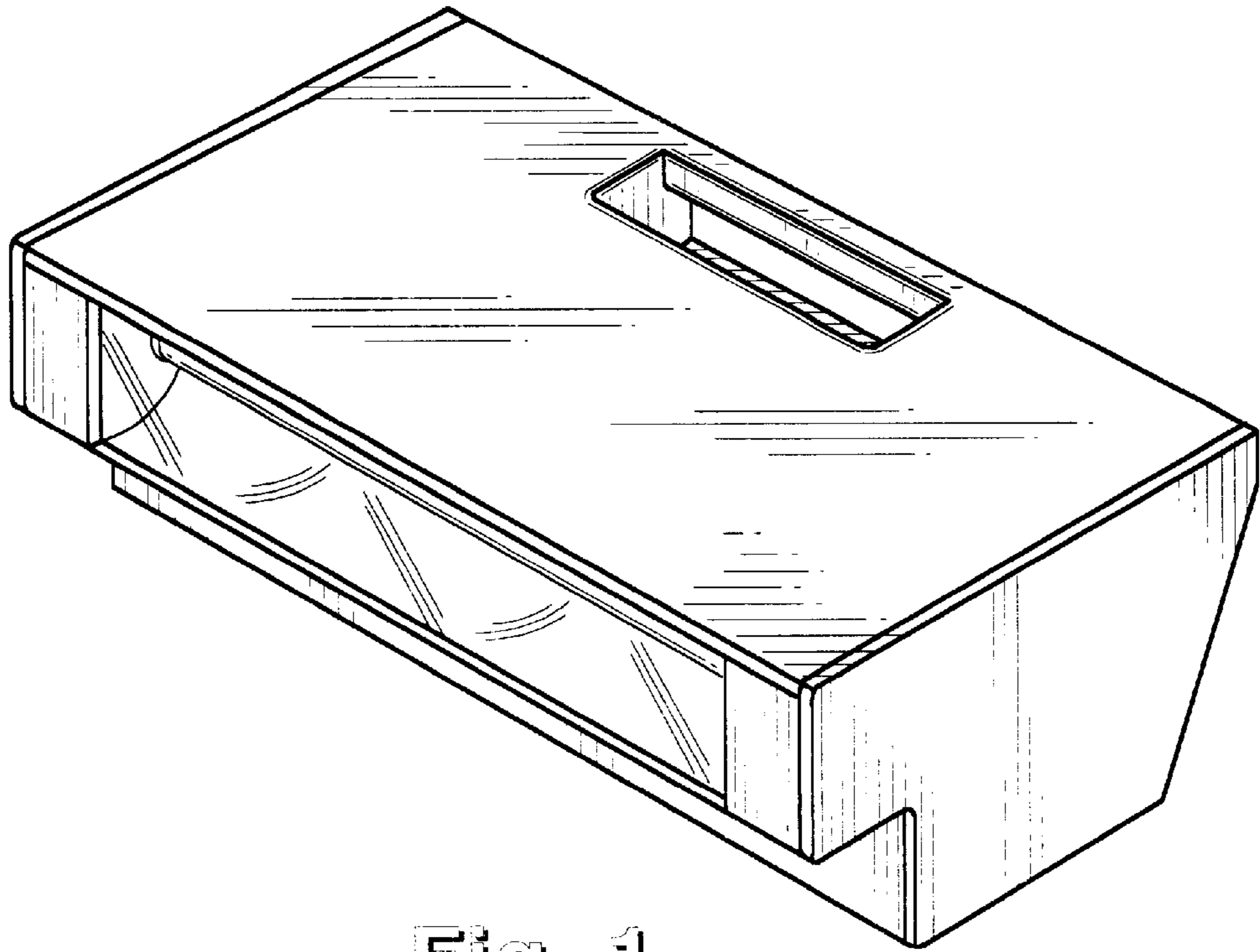


Fig. 1

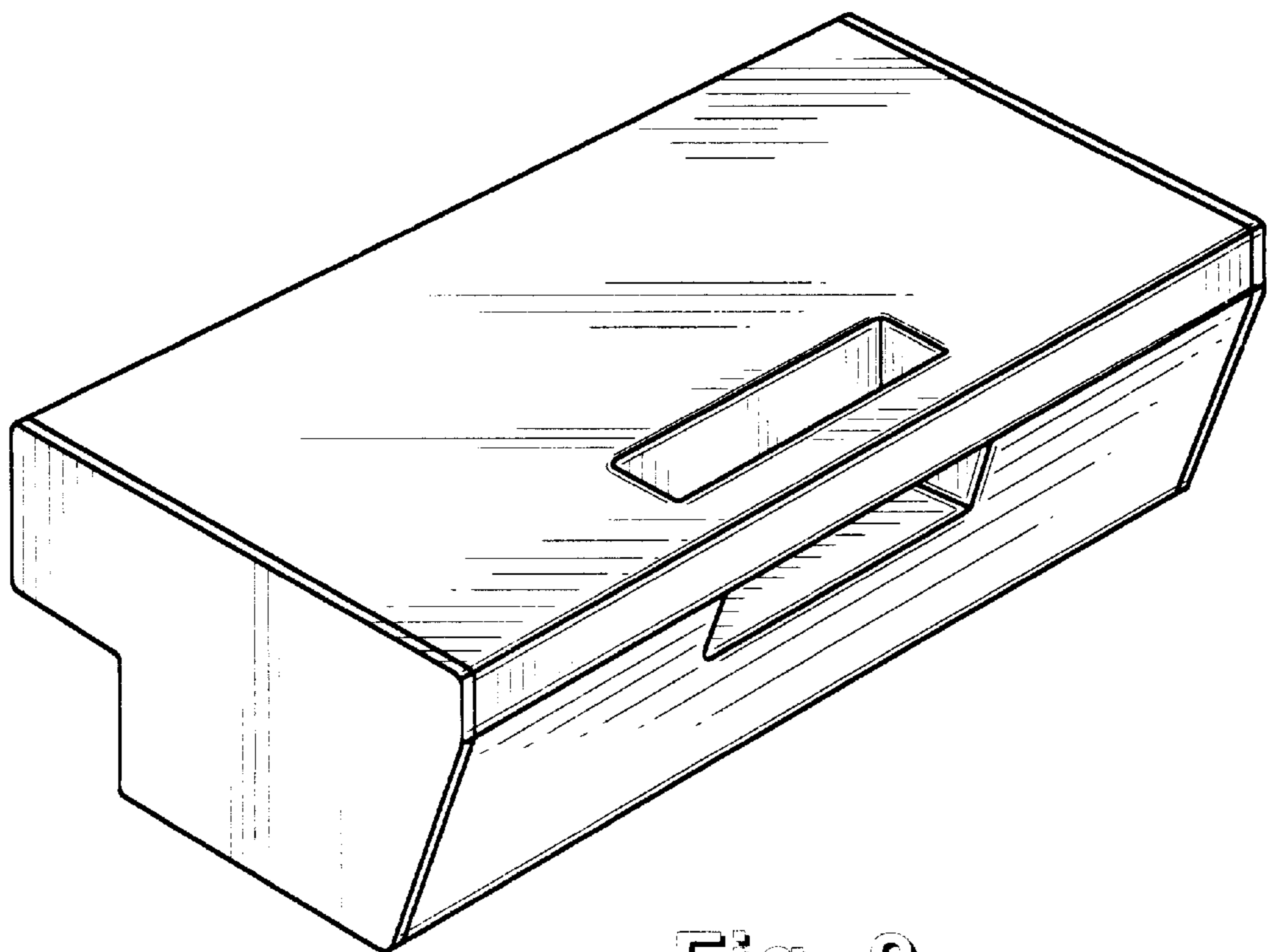


Fig. 2

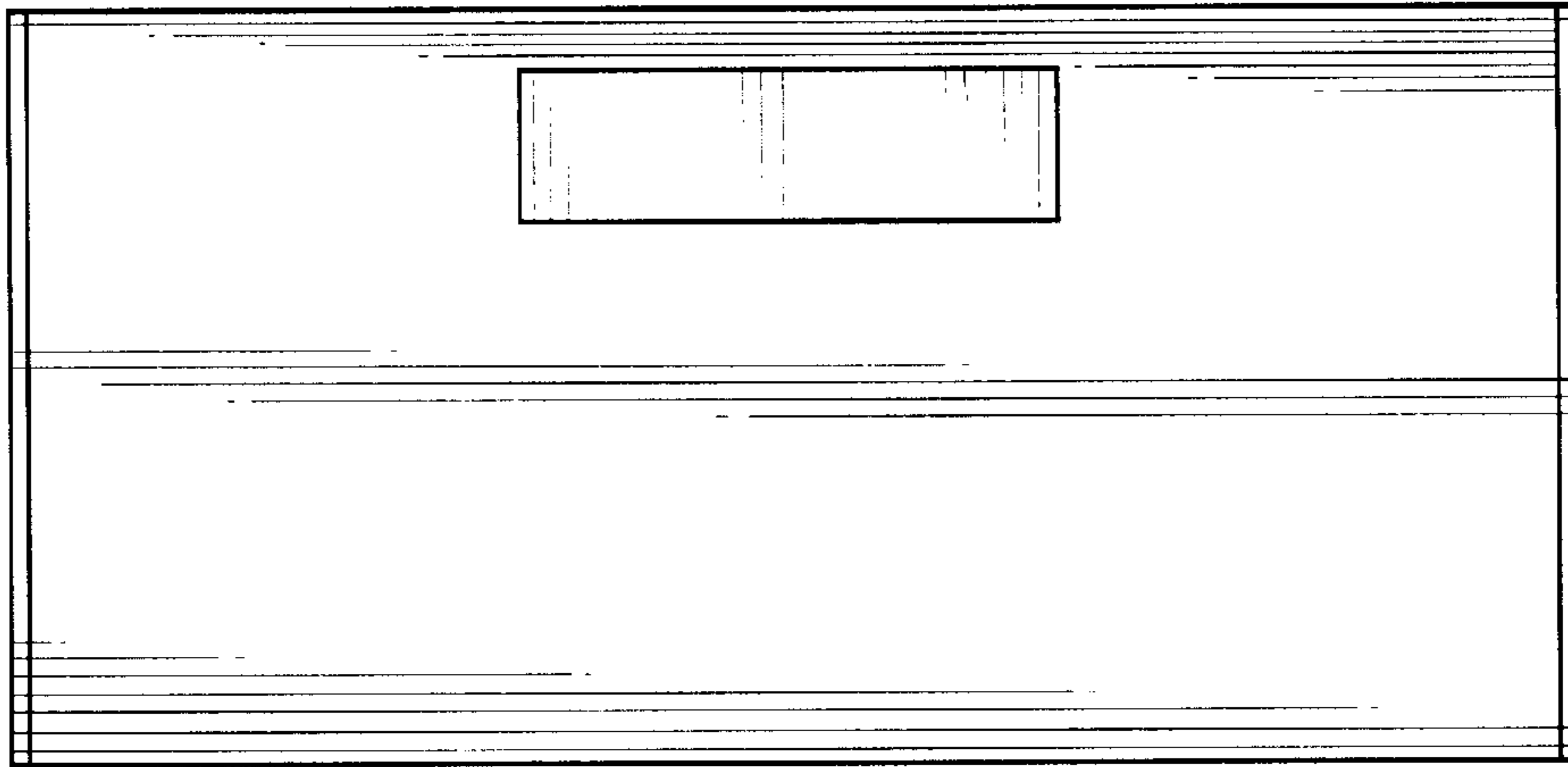


Fig. 3

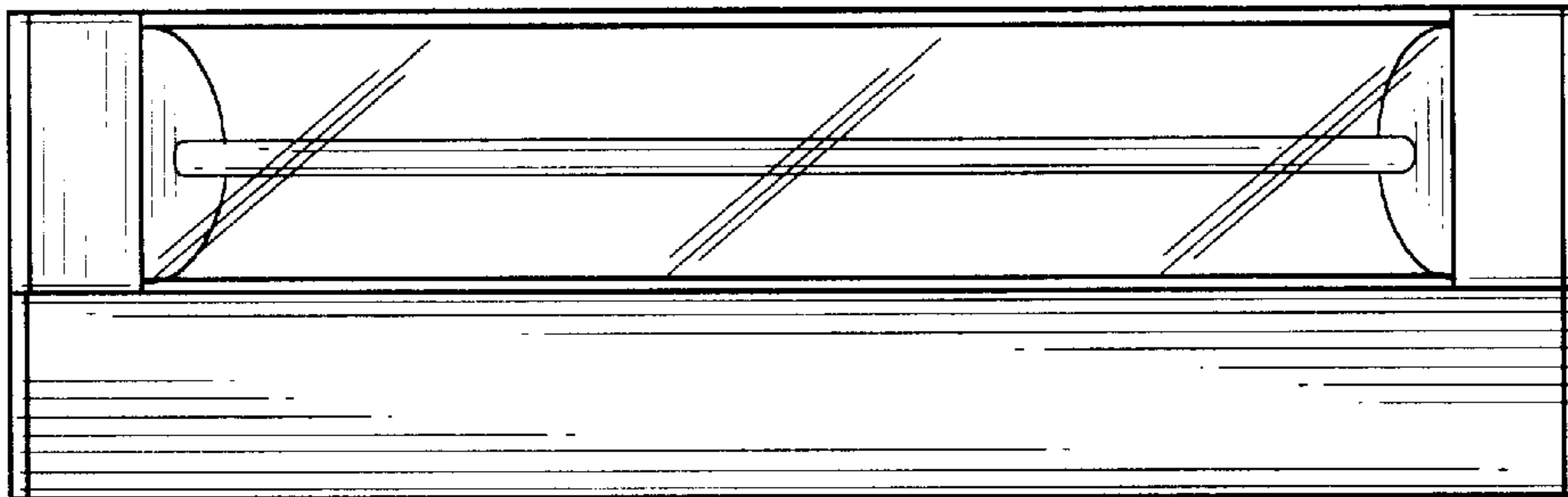


Fig. 4

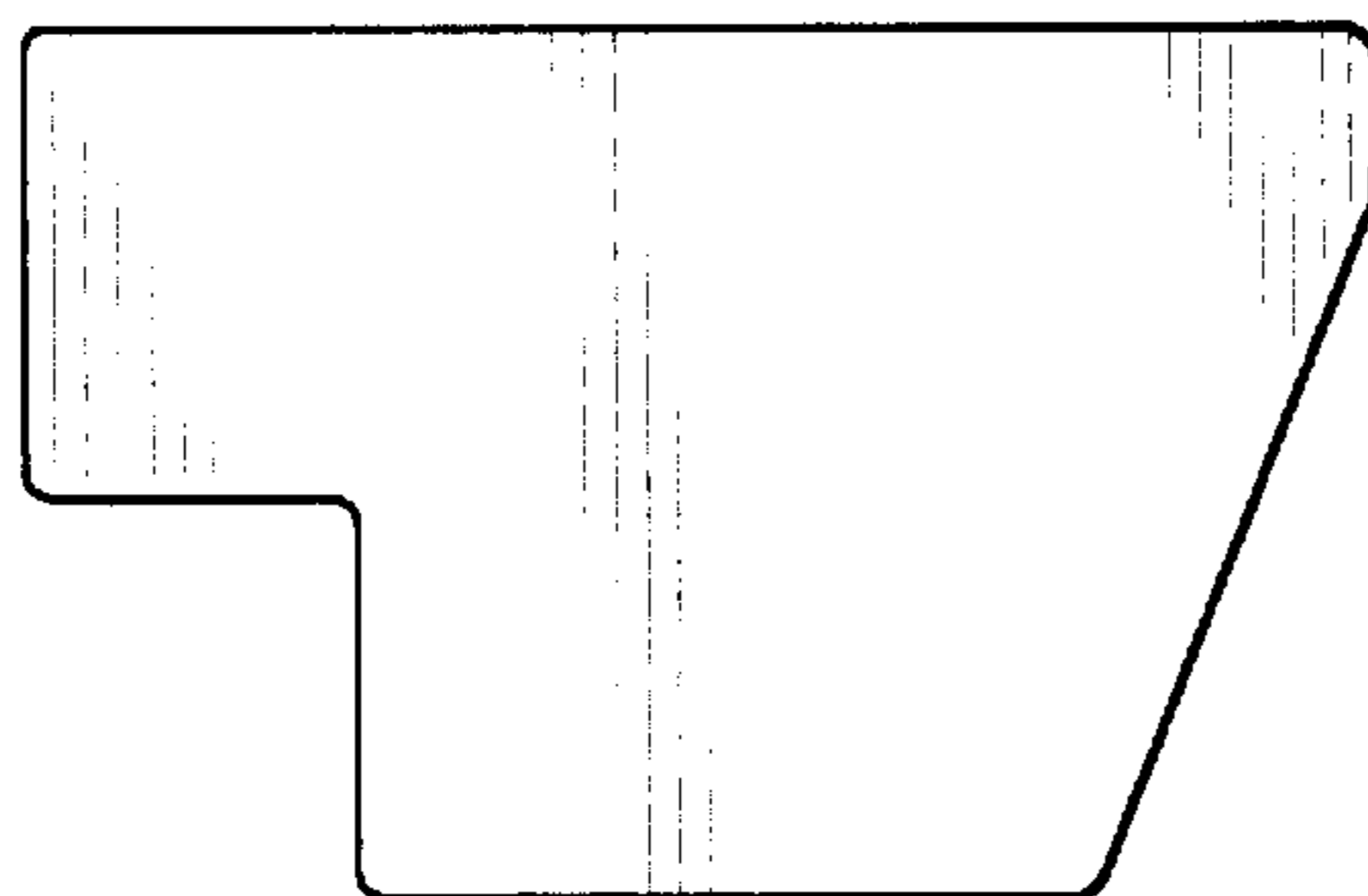


Fig. 5

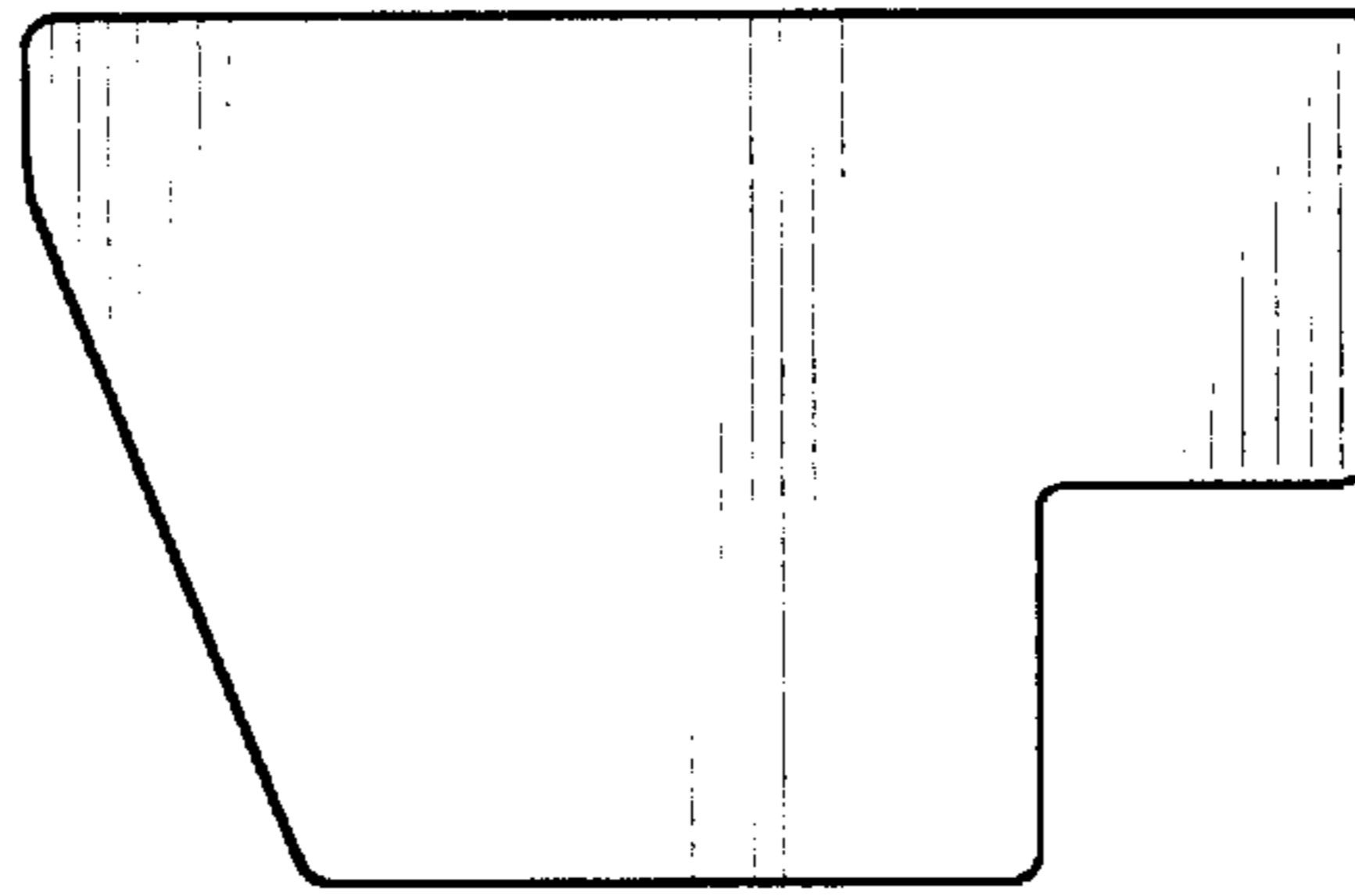


Fig. 6

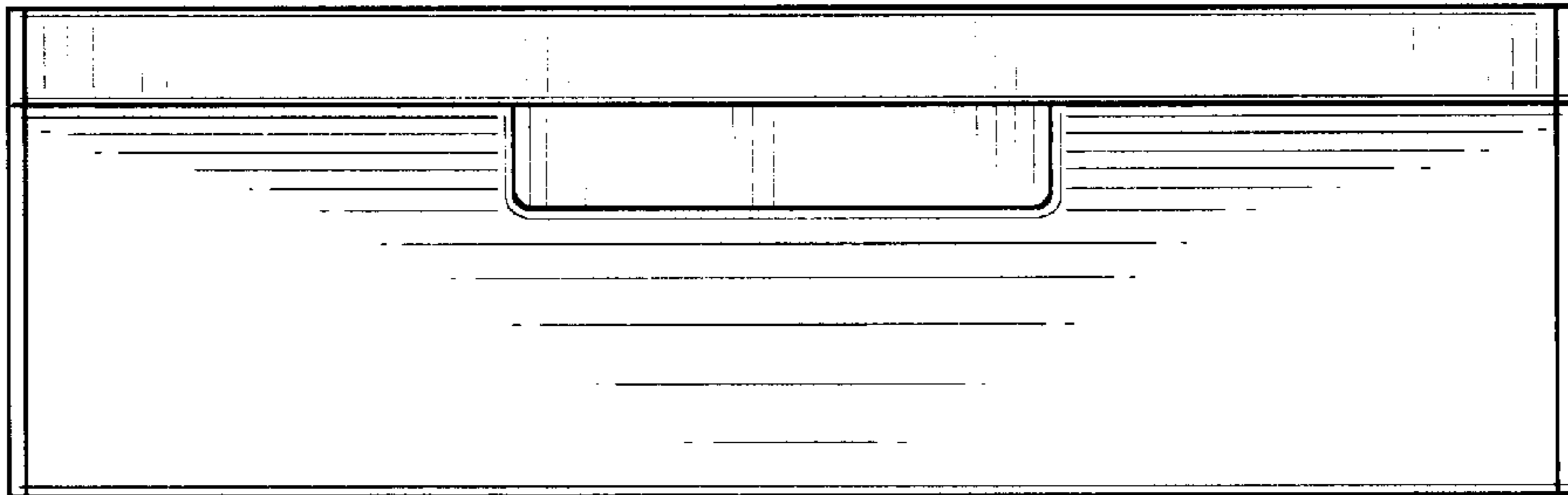


Fig. 7

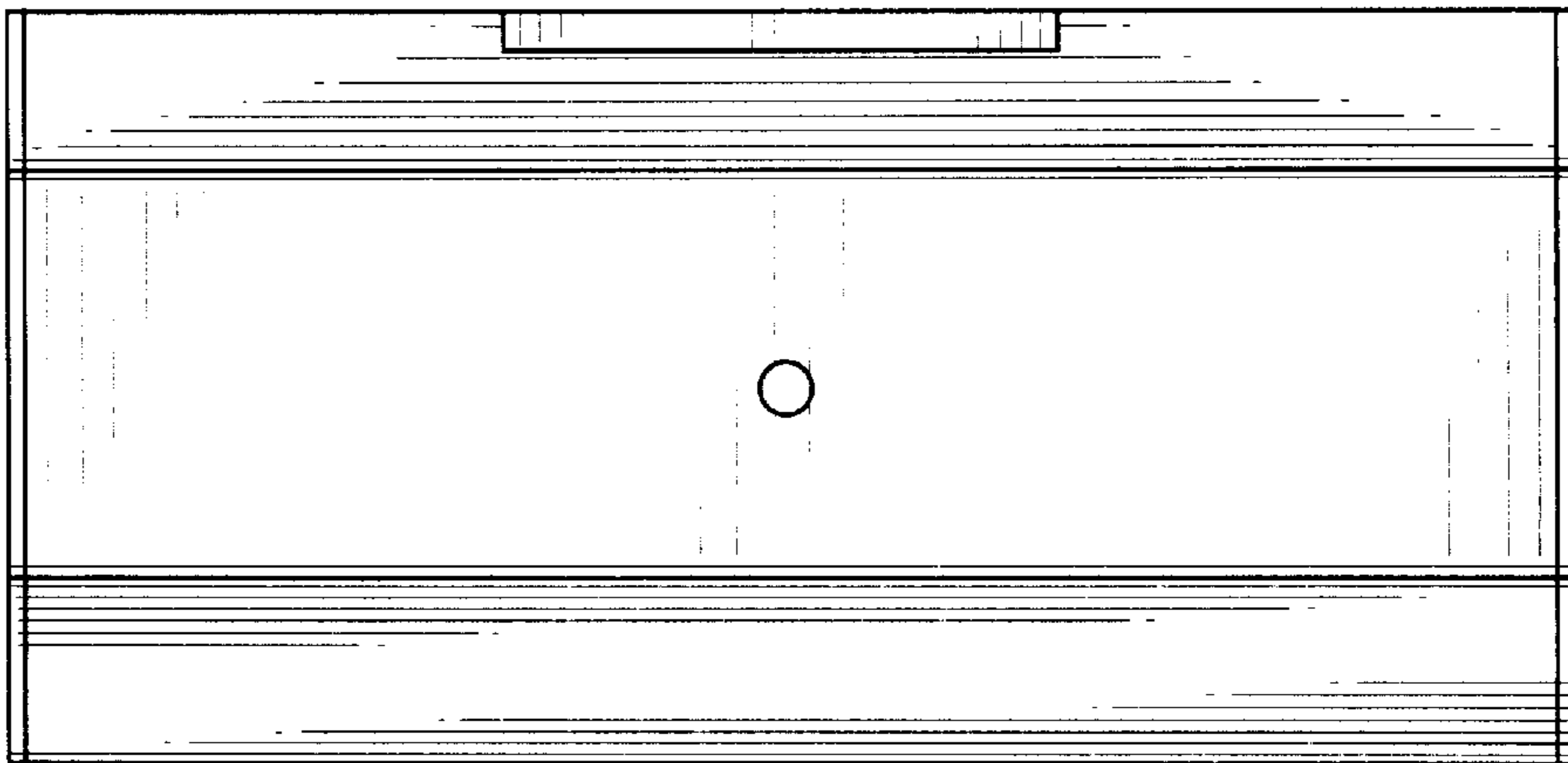


Fig. 8