



US00D433695S

United States Patent [19] Smart

[11] Patent Number: Des. 433,695

[45] Date of Patent: ** Nov. 14, 2000

[54] PHOTO BOOTH

[75] Inventor: Jeffrey T. Smart, Altoona, Iowa

[73] Assignee: Smart Industries Corporation, Des Moines, Iowa

[**] Term: 14 Years

[21] Appl. No.: 29/114,023

[22] Filed: Nov. 17, 1999

[51] LOC (7) Cl. 16-01

[52] U.S. Cl. D16/215

[58] Field of Search D16/215; D25/16; 396/2, 3

[56] References Cited

U.S. PATENT DOCUMENTS

D. 324,873	3/1992	Thayer	D16/215
D. 347,839	6/1994	Carota	D16/215
4,179,723	12/1979	Spencer	D25/16
4,959,670	9/1990	Thayer, Jr.	396/2
5,446,515	8/1995	Wolfe et al.	396/2

OTHER PUBLICATIONS

Japanese patent No. 6-66175.

Primary Examiner—Adir Aronovich

Attorney, Agent, or Firm—Zarley, McKee, Thomte, Voorhees & Sease

[57] CLAIM

The ornamental design for a photo booth, substantially as shown and described.

DESCRIPTION

FIG. 1 is a front perspective view of a photo booth showing my new design.

FIG. 2 is a front elevational view thereof.

FIG. 3 is a rear elevational view thereof.

FIG. 4 is a side elevational view thereof with the opposite side being a mirror image thereof.

FIG. 5 is a top plan view thereof.

FIG. 6 is a front perspective view of a modification of the photo booth of FIG. 1 wherein the screen has been omitted for ease of illustration.

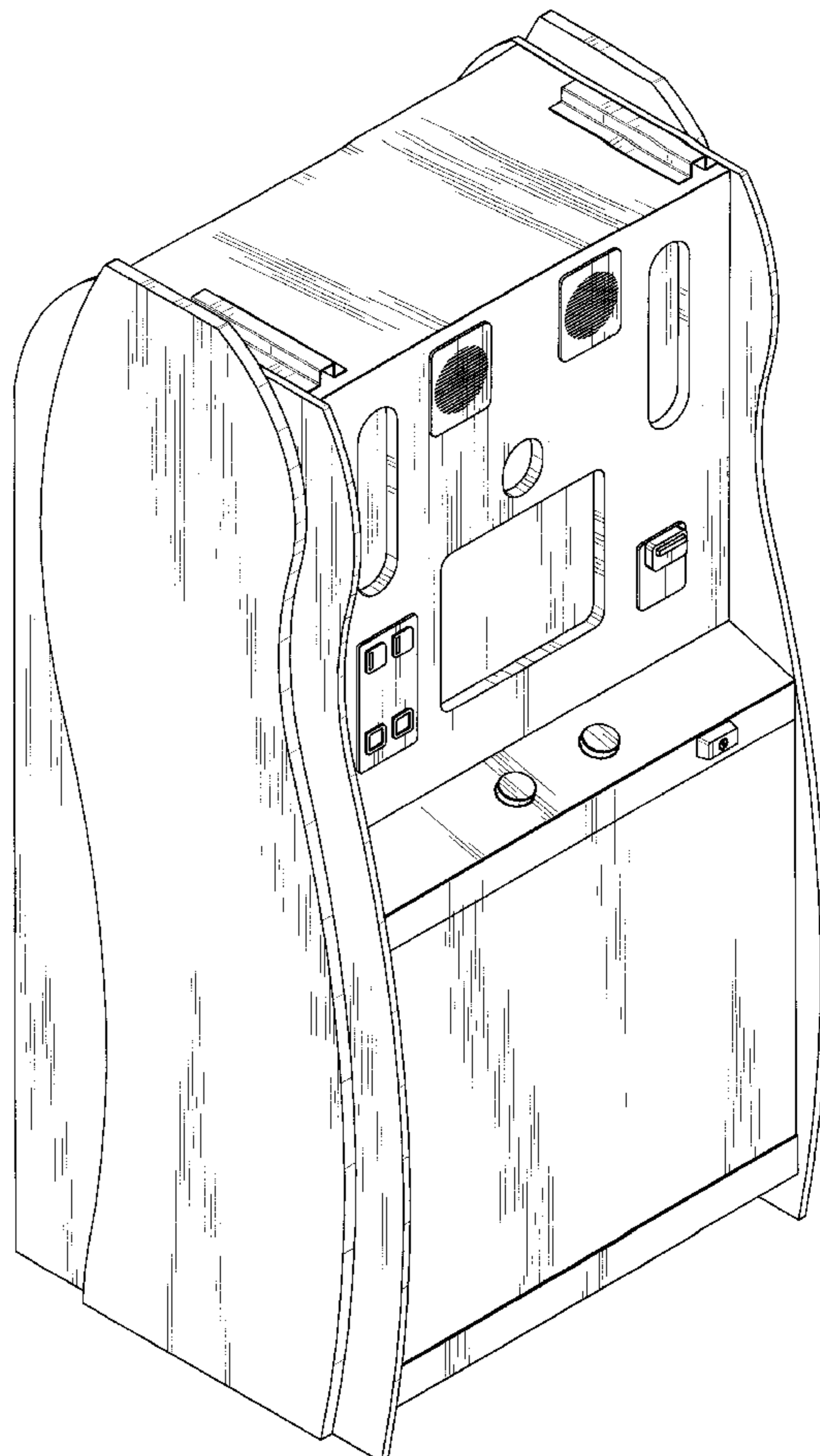
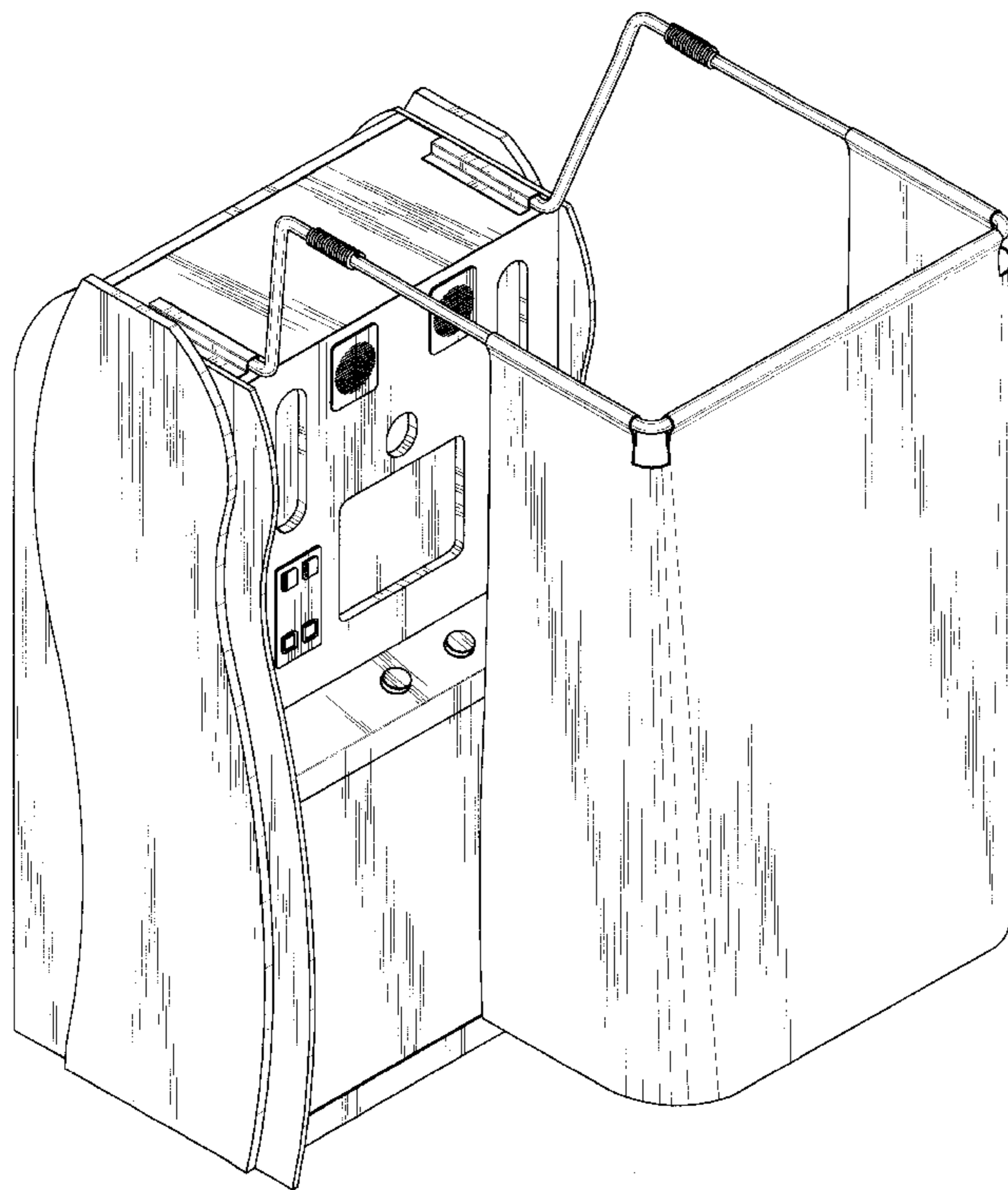
FIG. 7 is a front elevational view thereof.

FIG. 8 is a rear elevational view thereof.

FIG. 9 is a side elevational view thereof with the opposite side being a mirror image; and,

FIG. 10 is a top plan view thereof.

1 Claim, 10 Drawing Sheets



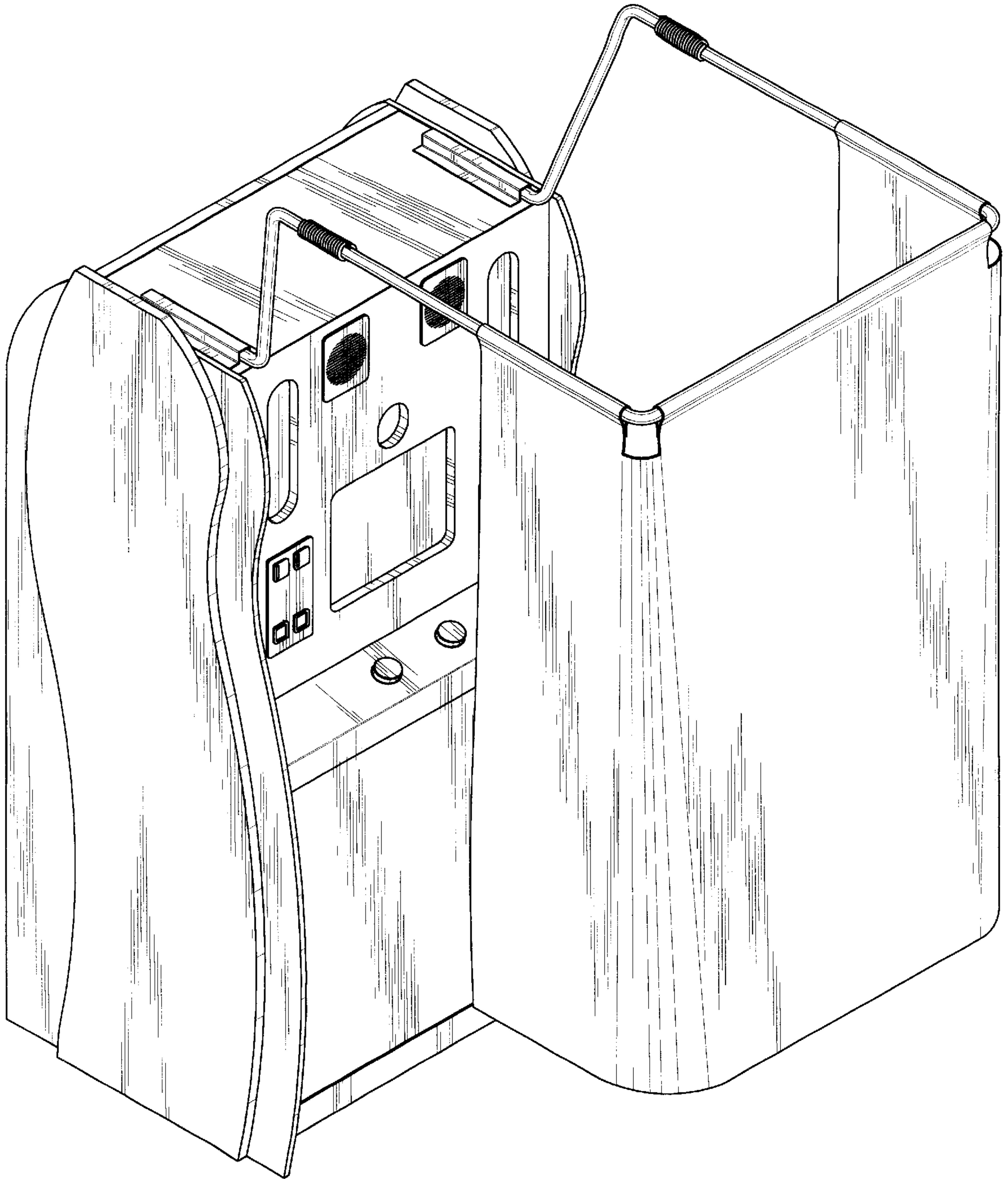


Fig. 1

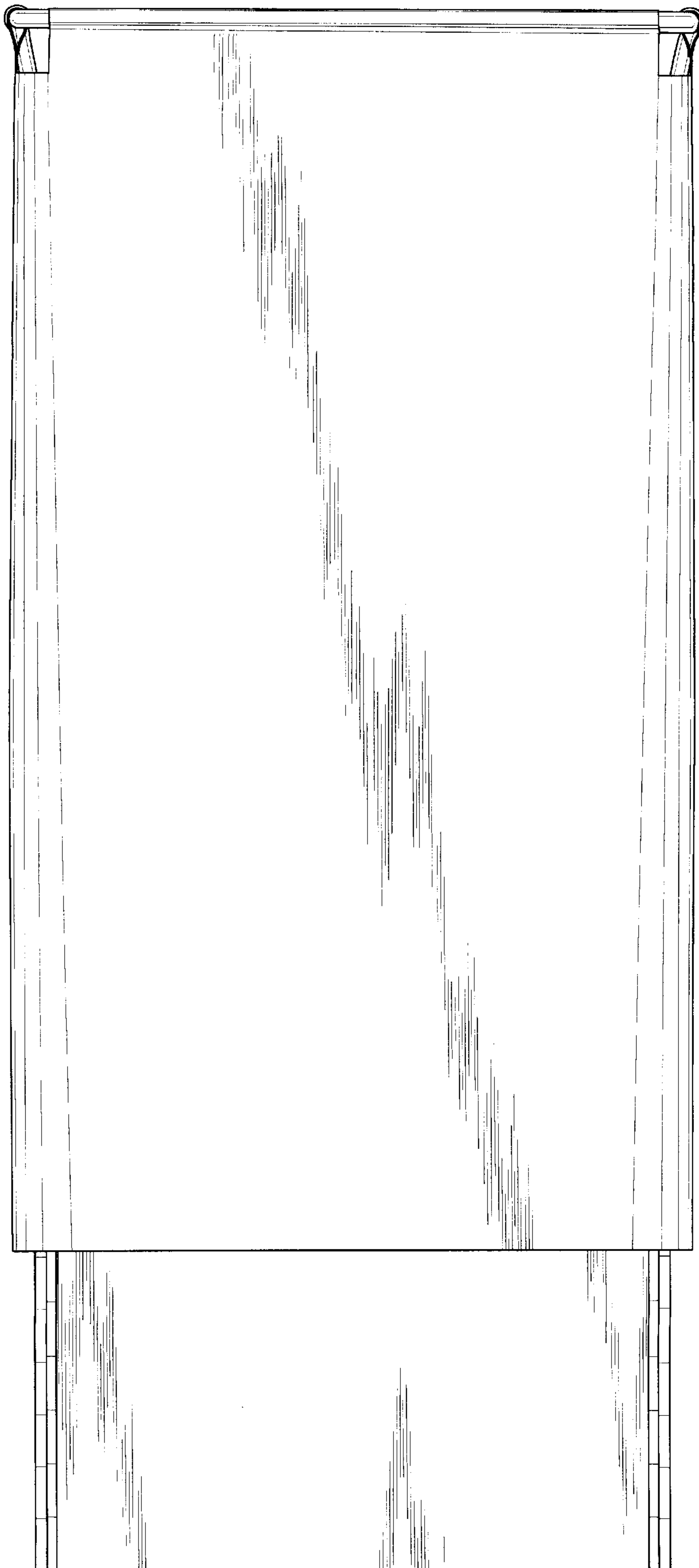


Fig. 2

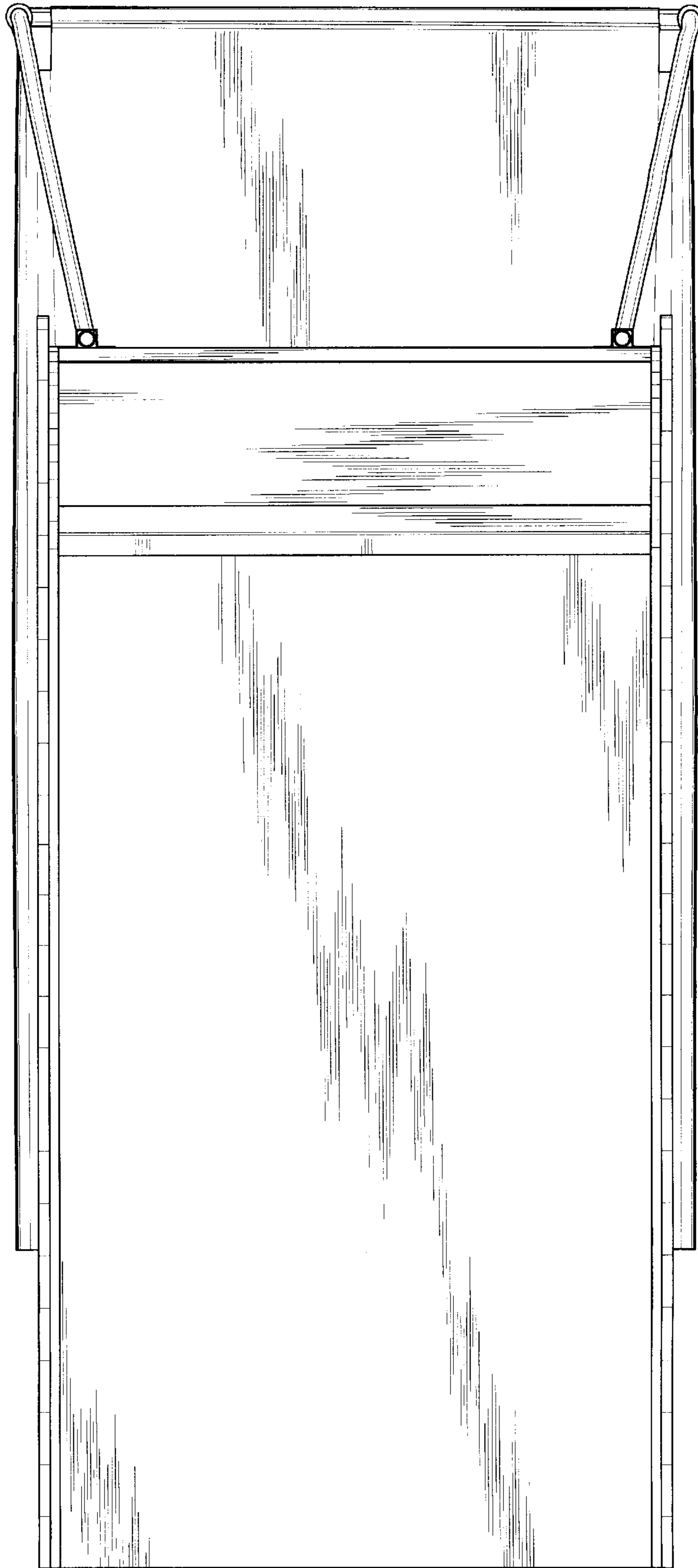


Fig. 3

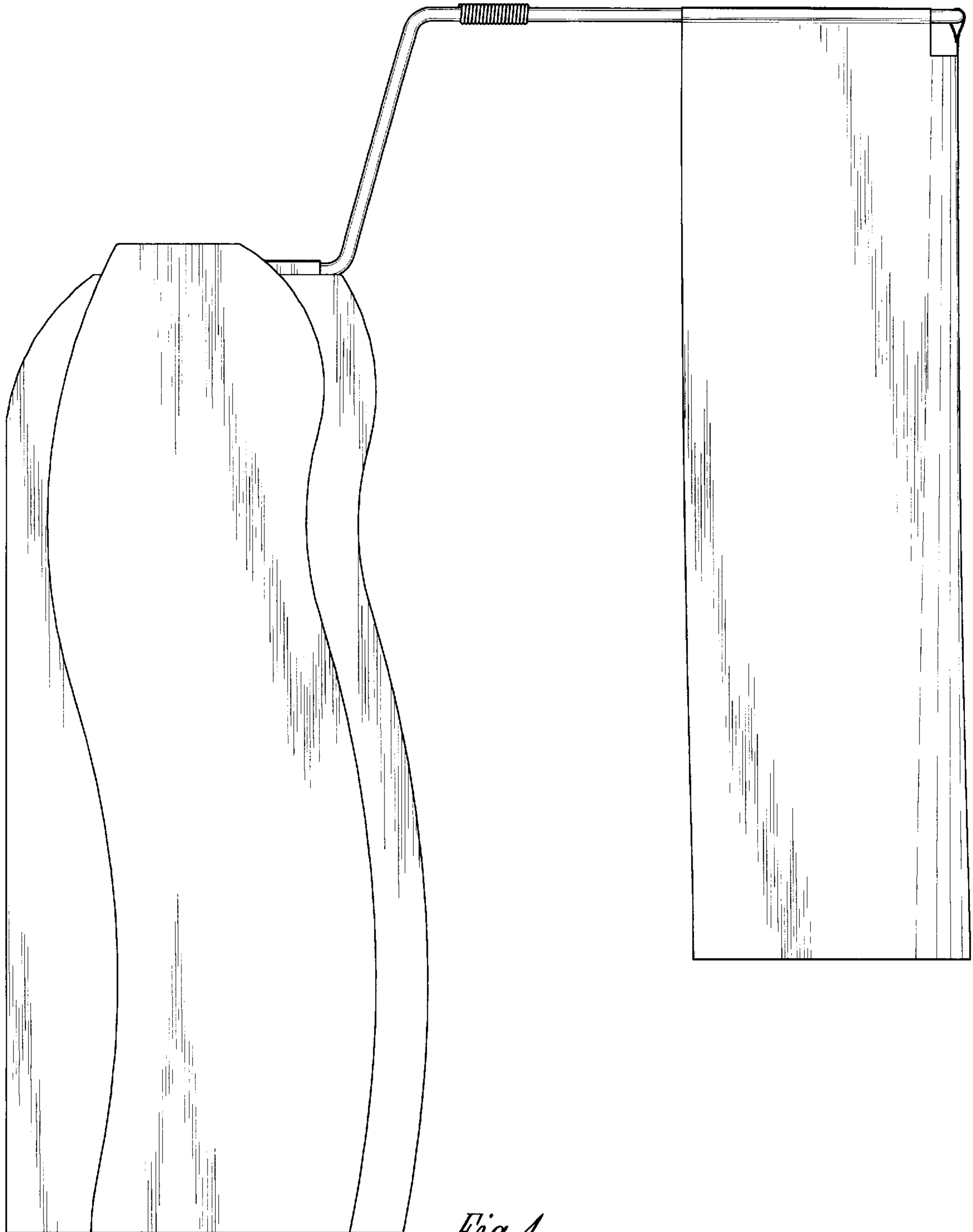


Fig. 4

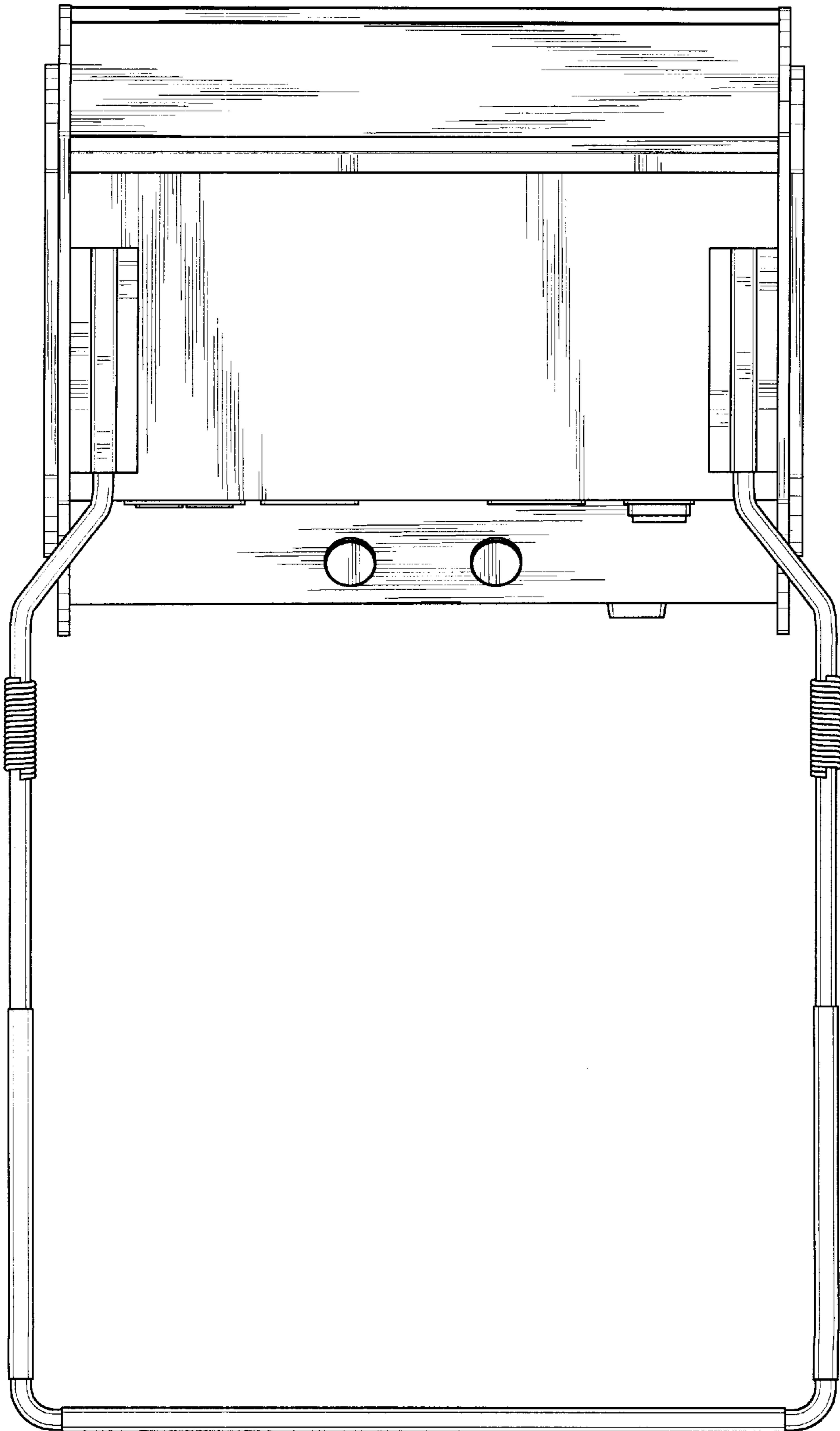


Fig. 5

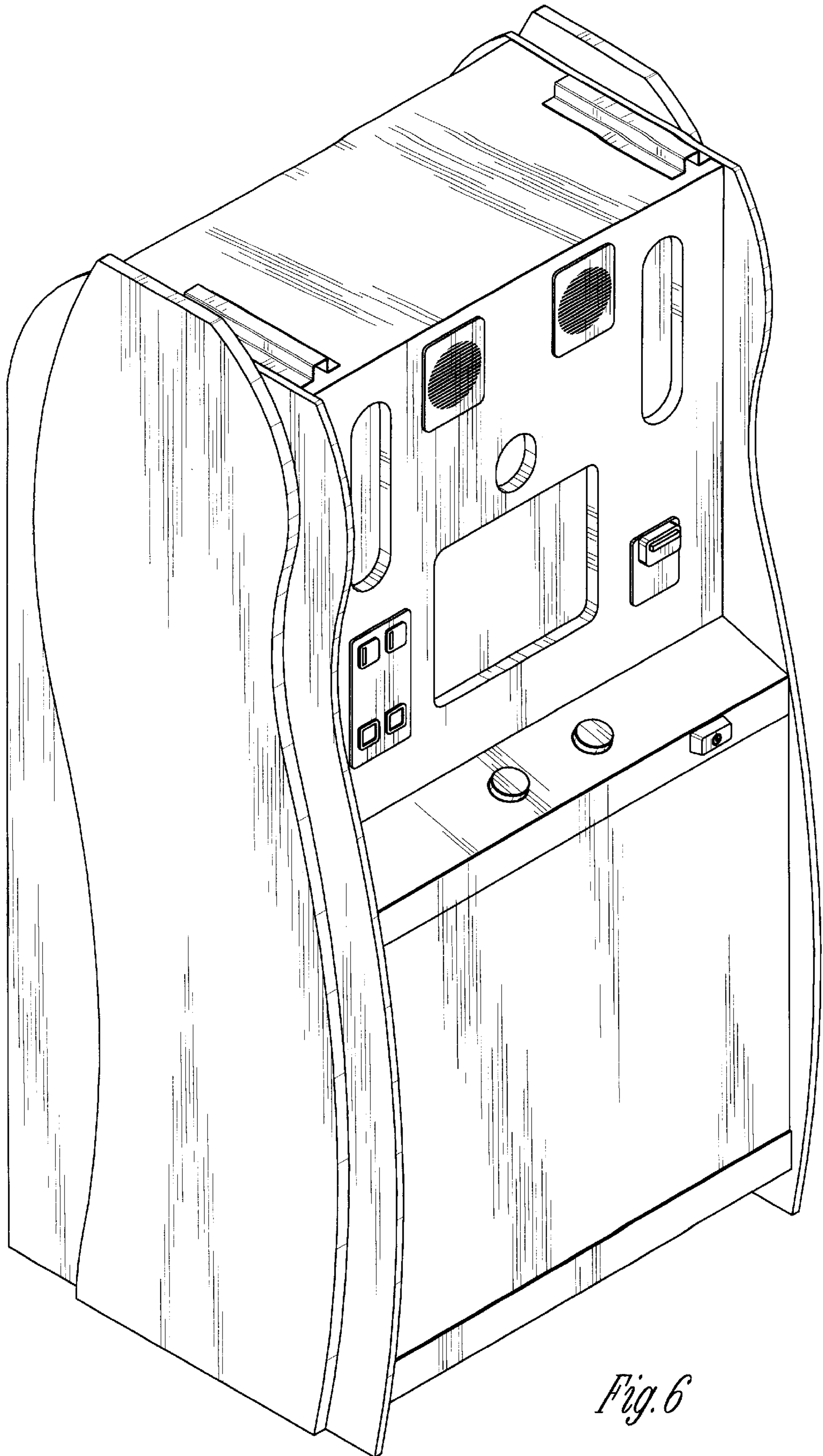


Fig. 6

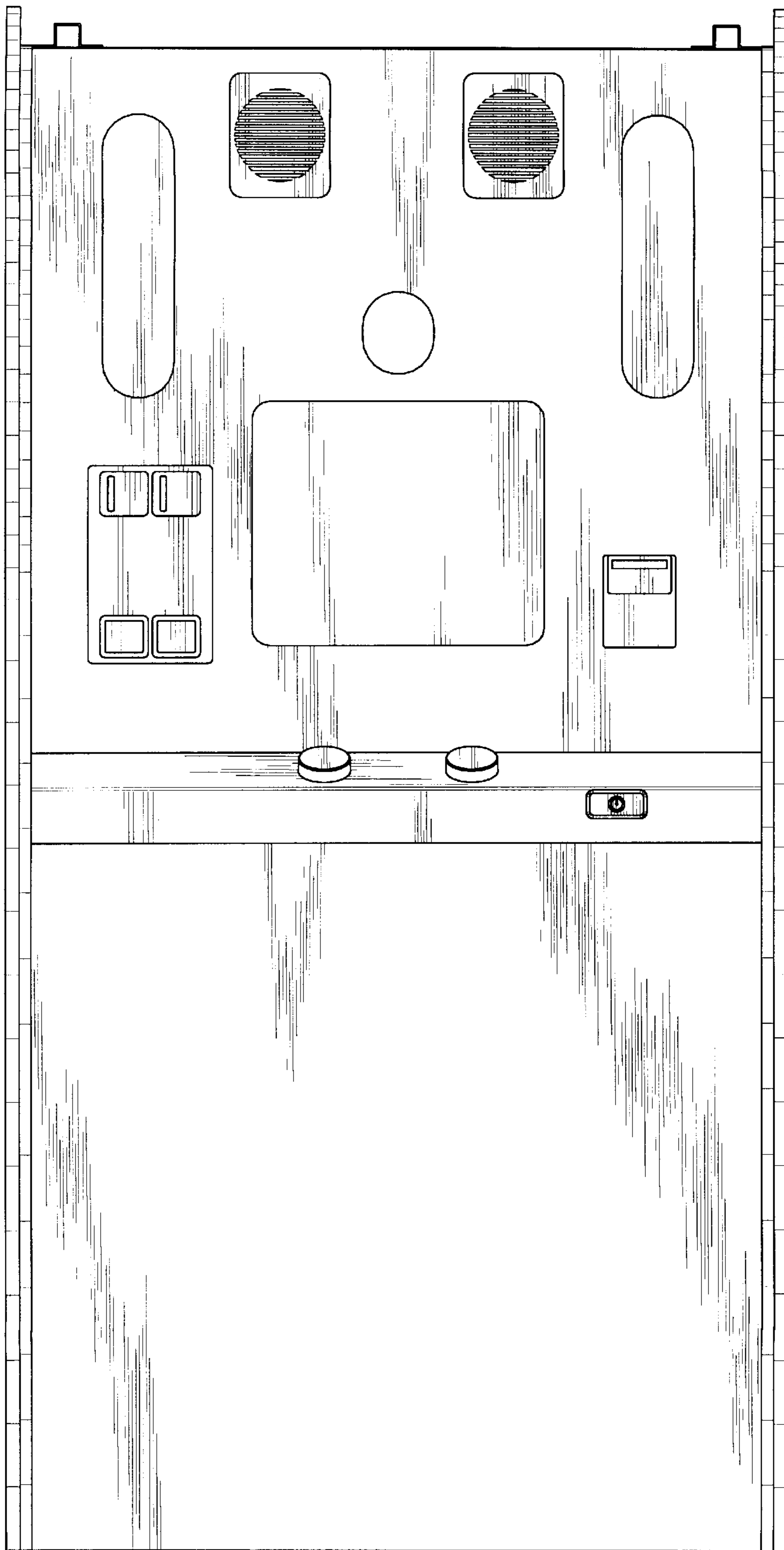


Fig. 7

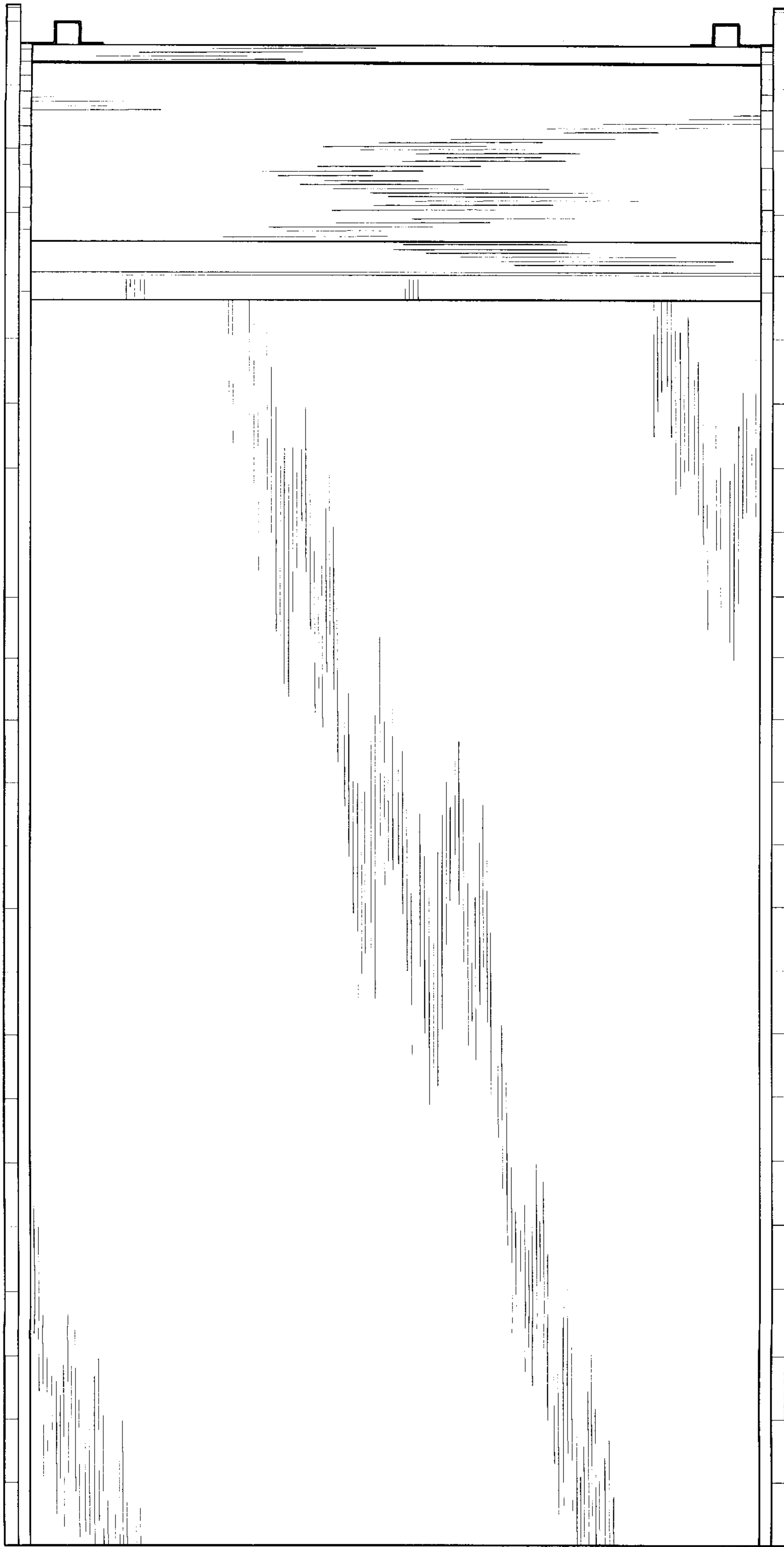


Fig. 8

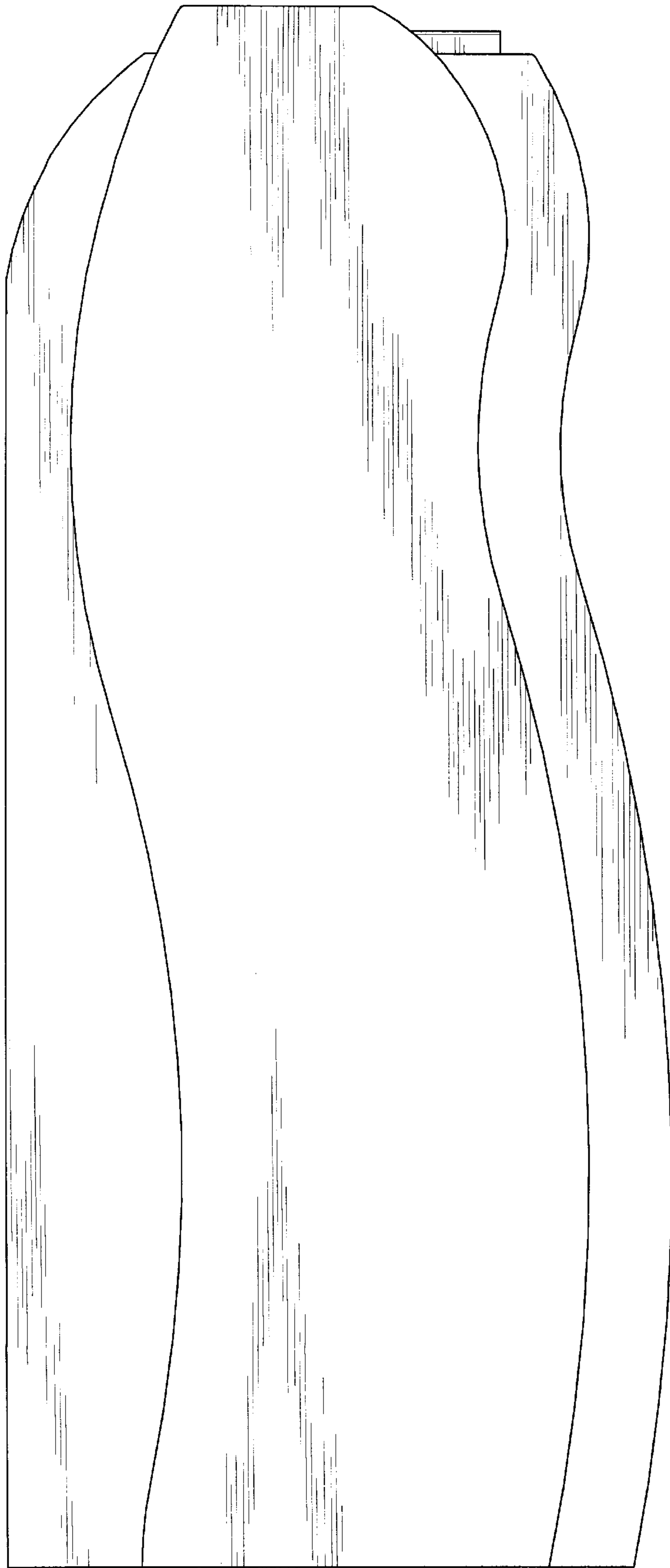


Fig. 9

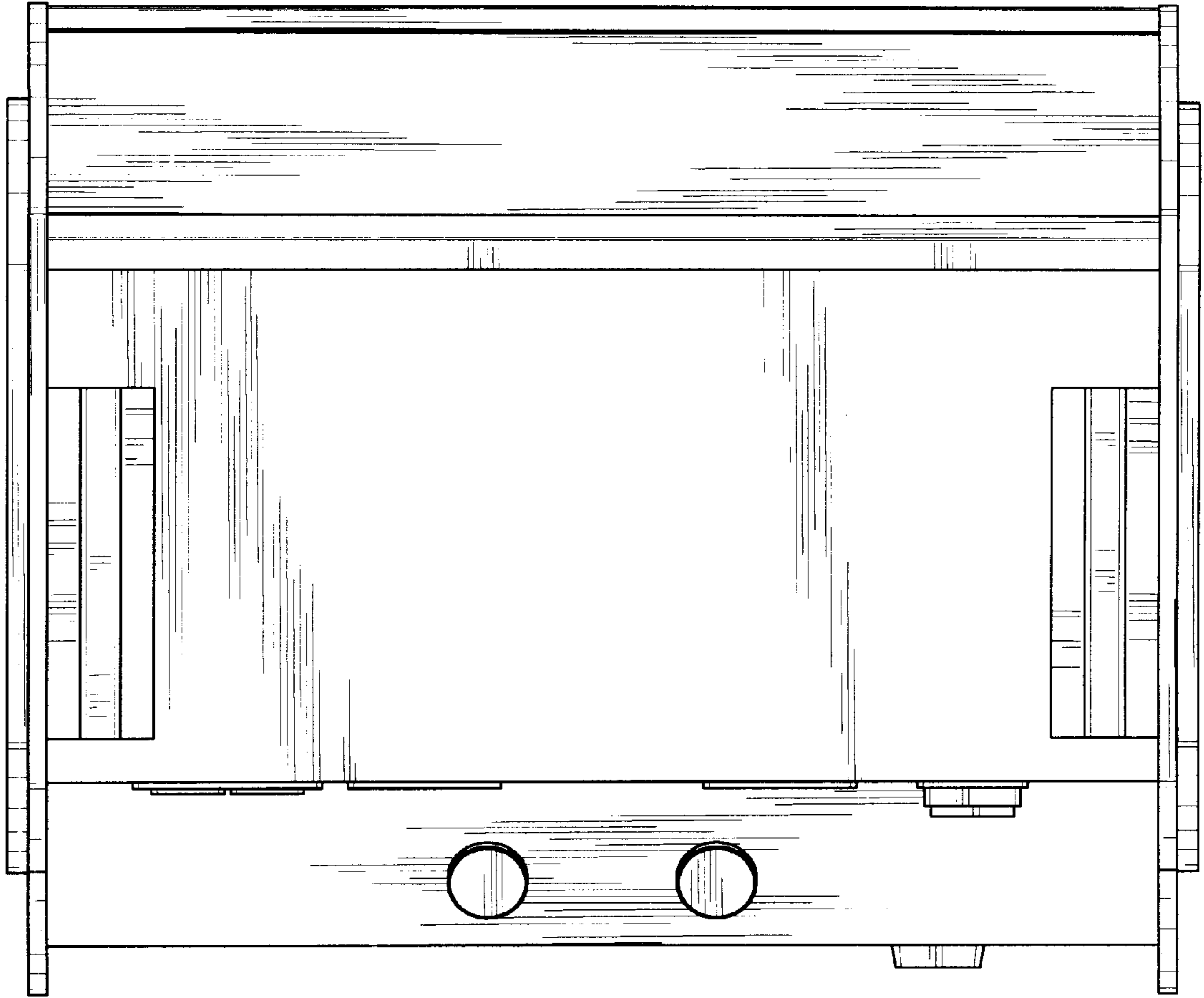


Fig. 10