



US00D433694S

United States Patent [19]
Murakami

[11] **Patent Number: Des. 433,694**

[45] **Date of Patent: ** Nov. 14, 2000**

[54] **VIDEO CAMERA**

[75] Inventor: **Tomonari Murakami**, Tokyo, Japan

[73] Assignee: **Sony Corporation**, Japan

[**] Term: **14 Years**

[21] Appl. No.: **29/109,556**

[22] Filed: **Aug. 17, 1999**

[30] **Foreign Application Priority Data**

Mar. 9, 1999 [JP] Japan 11-5819

[51] **LOC (7) Cl.** **16-01**

[52] **U.S. Cl.** **D16/202**

[58] **Field of Search** D16/200-205,
D16/208; 348/143, 373-376; 396/433, 535-541

[56] **References Cited**

U.S. PATENT DOCUMENTS

D. 375,109 10/1996 Hartman D16/202

D. 376,610 12/1996 Hartman D16/202

D. 377,033 12/1996 Kubota et al. D16/202

D. 389,500 1/1998 Krekelberg D16/202
D. 392,299 3/1998 Lin D16/202
D. 410,479 6/1999 Sawai D16/202

OTHER PUBLICATIONS

Catalog "90", pp. 215, 216 & 267, Sony (Nov. 1998).

Primary Examiner—Adir Aronovich

Attorney, Agent, or Firm—Rader, Fishman & Grauer

[57] **CLAIM**

The ornamental design for a video camera, as shown and described.

DESCRIPTION

FIG. 1 is a perspective view of a video camera showing my new design;

FIG. 2 is a top plan view thereof;

FIG. 3 is a bottom plan view thereof;

FIG. 4 is a left side elevational view thereof;

FIG. 5 is a right side elevational view thereof;

FIG. 6 is a front elevational view thereof; and,

FIG. 7 is a rear elevational view thereof.

1 Claim, 4 Drawing Sheets

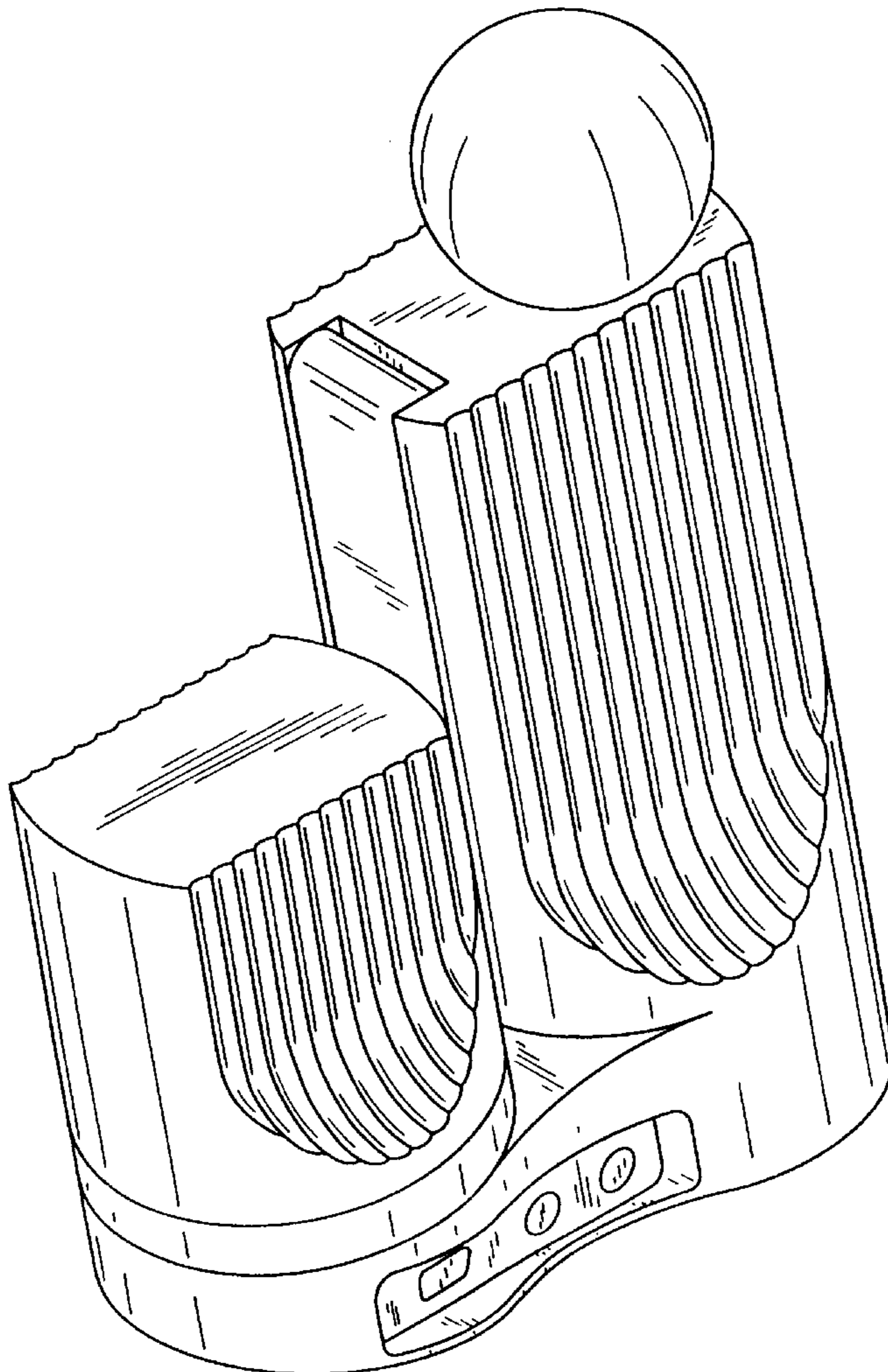


FIG. 1

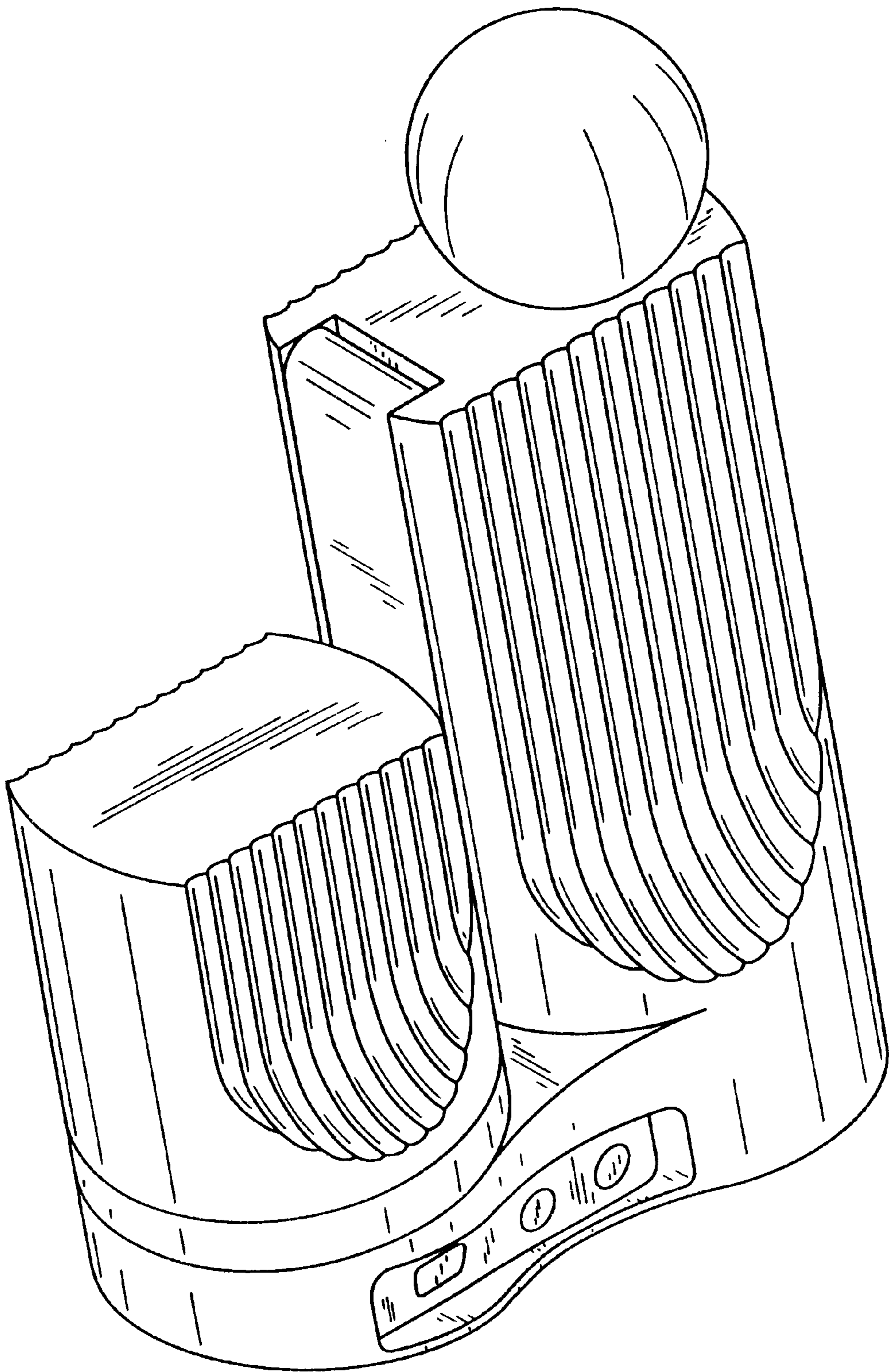


FIG. 3

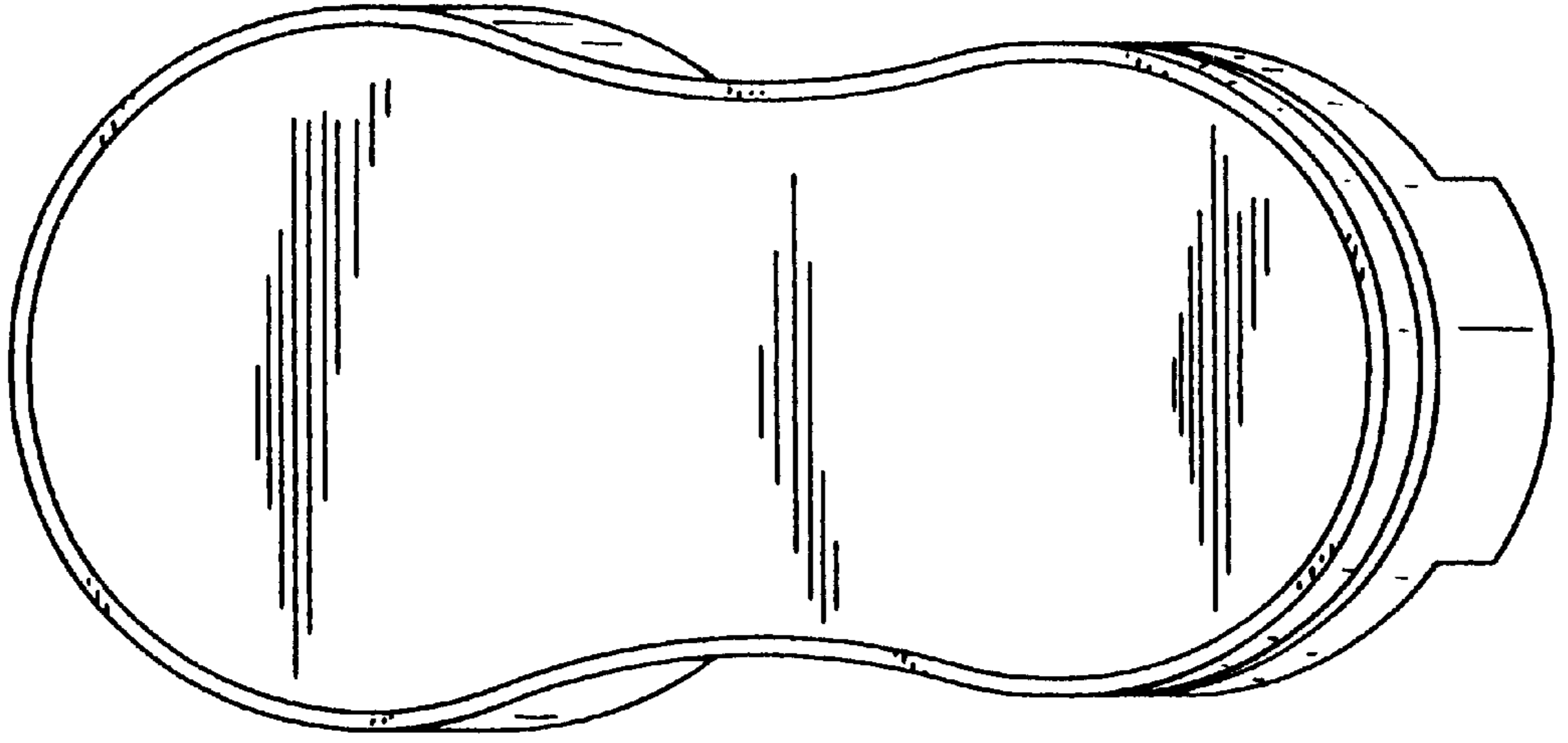


FIG. 2

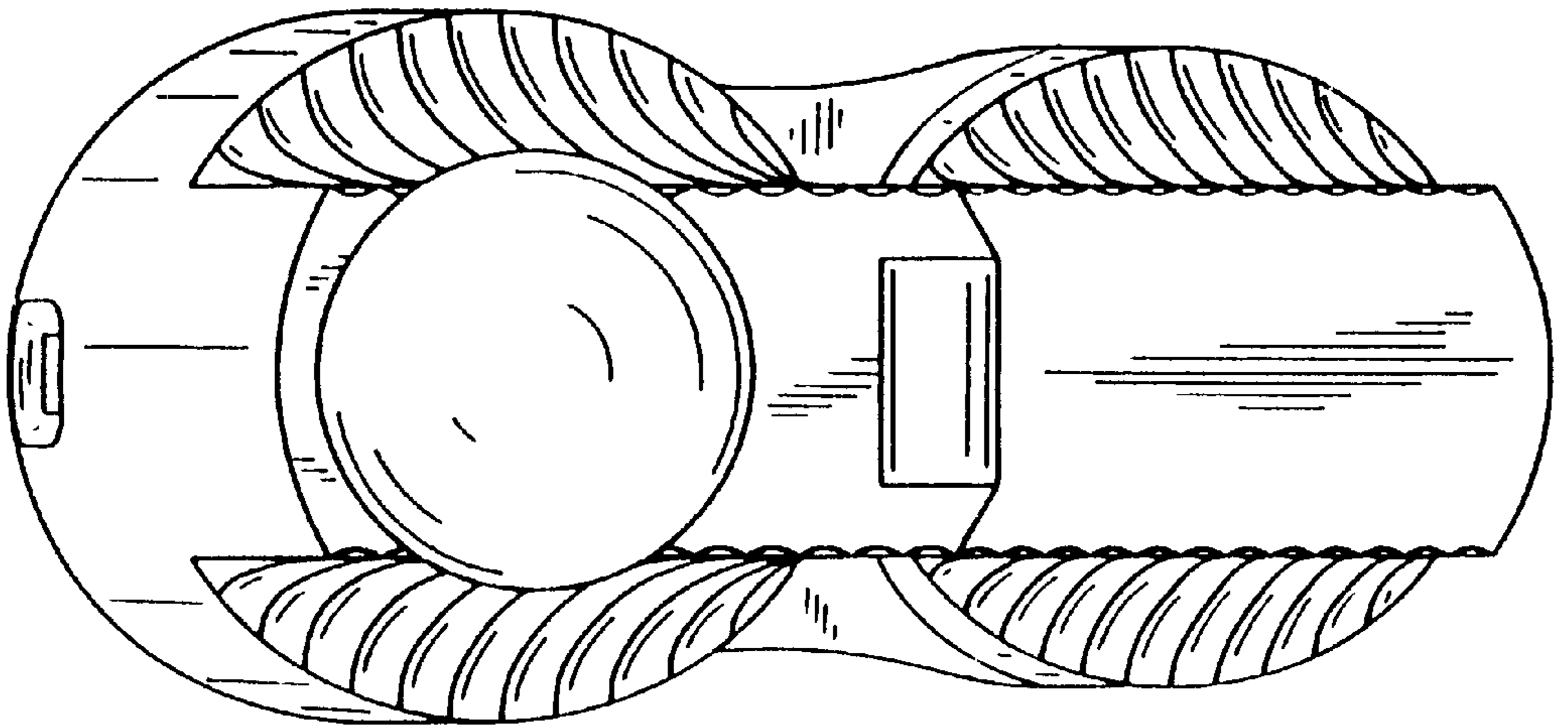


FIG. 5

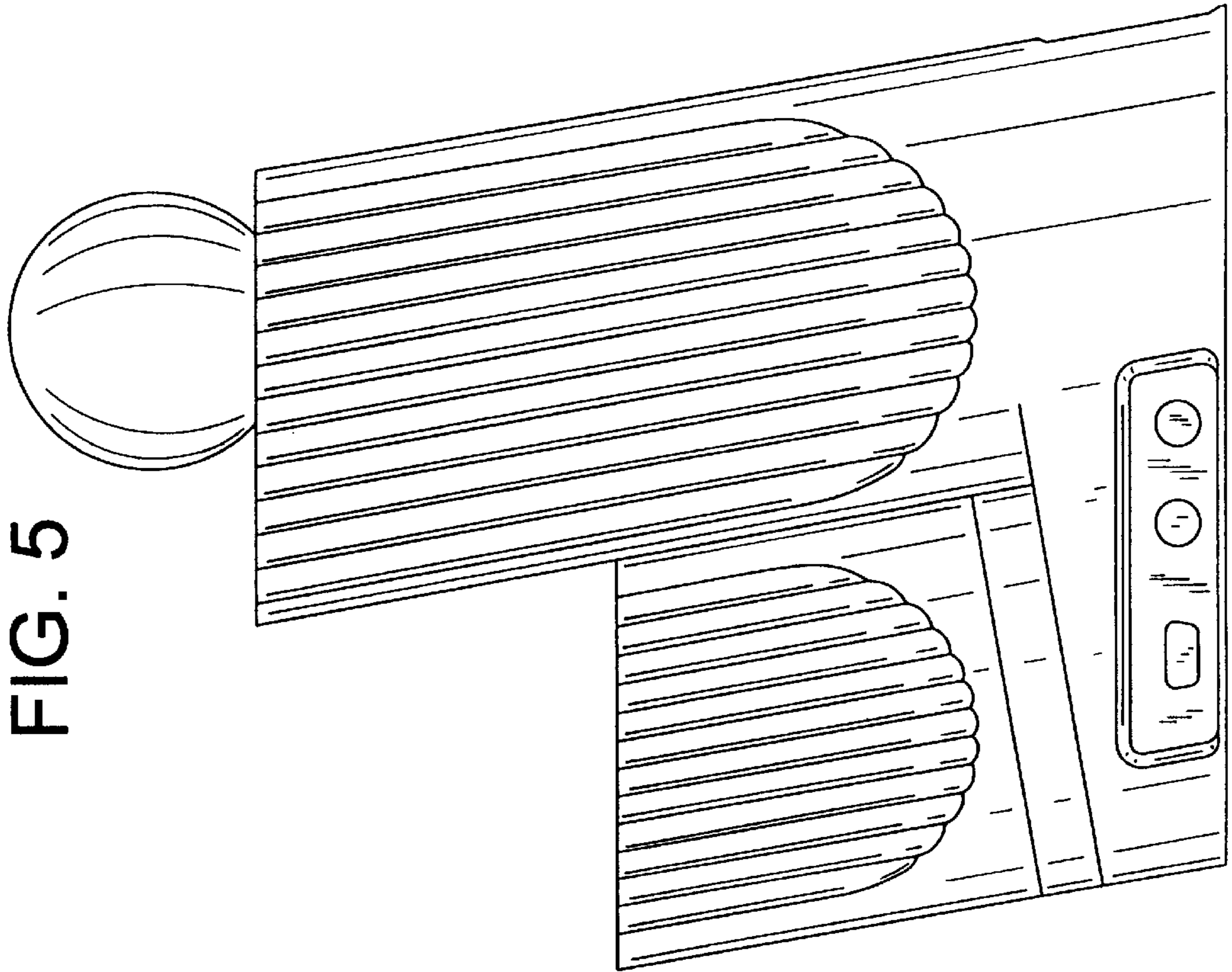


FIG. 4

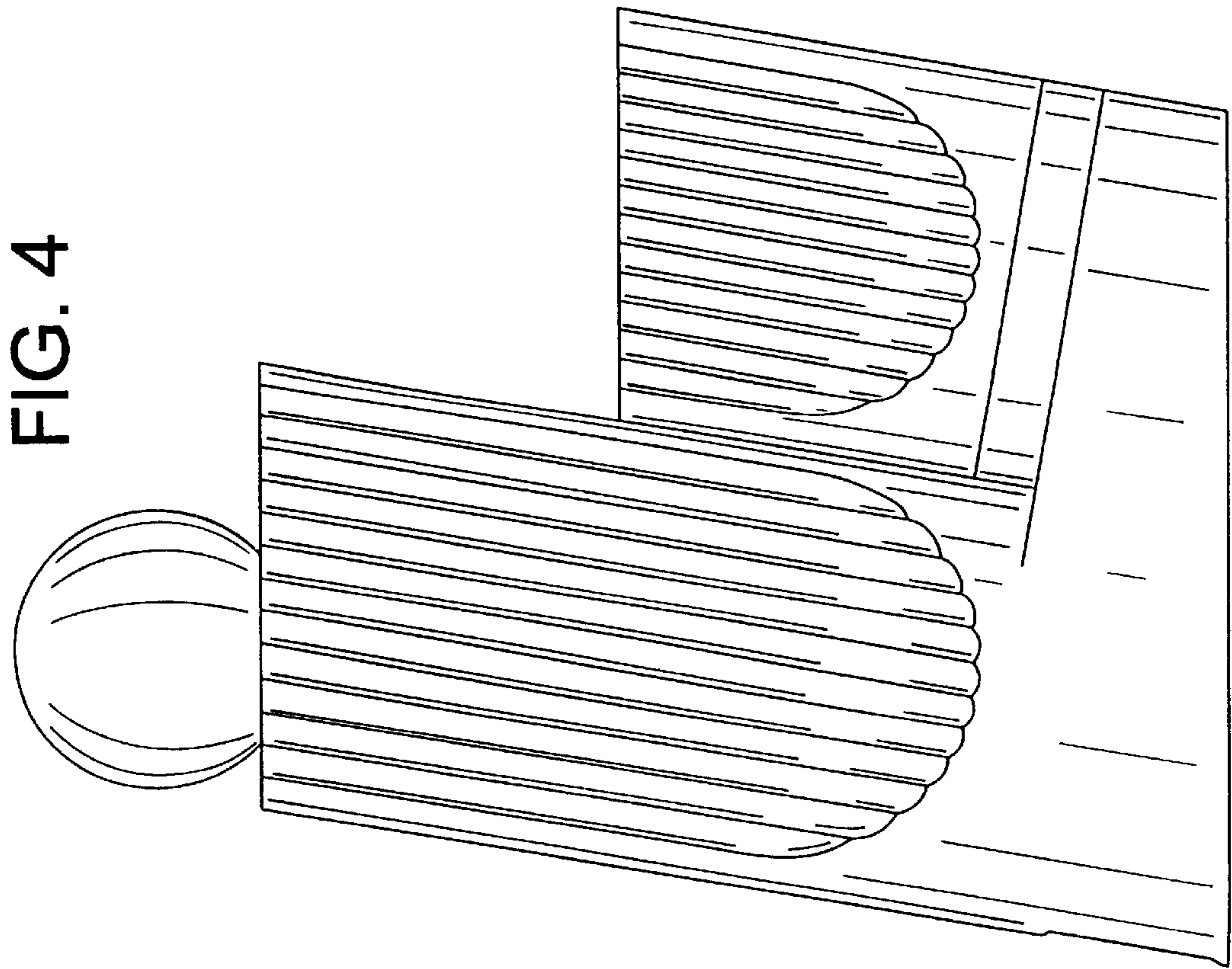


FIG. 7

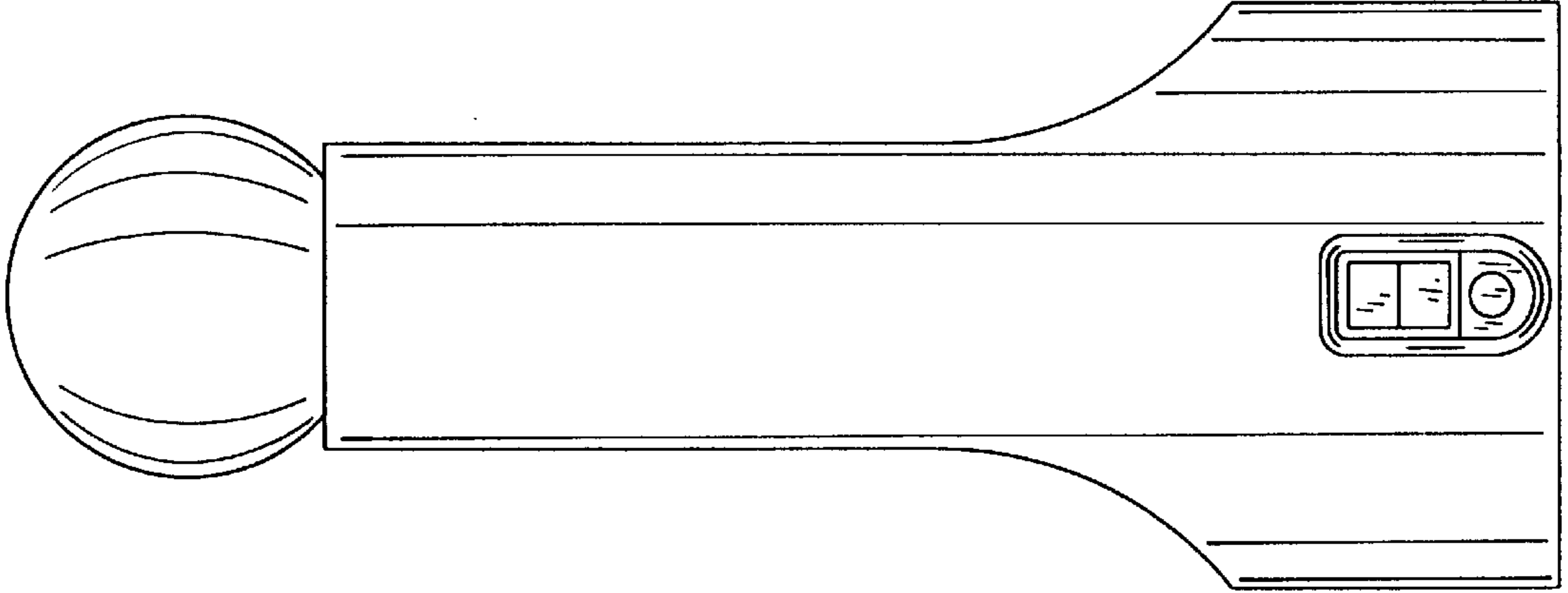


FIG. 6

