



US00D433693S

United States Patent [19] Kobayashi

[11] Patent Number: **Des. 433,693**

[45] Date of Patent: **** Nov. 14, 2000**

[54] **ELECTRONIC STILL CAMERA HAVING A MONITOR**

[75] Inventor: **Masaharu Kobayashi**, Tokyo, Japan

[73] Assignee: **Sony Corporation**, Japan

[**] Term: **14 Years**

[21] Appl. No.: **29/098,362**

[22] Filed: **Dec. 28, 1998**

[51] **LOC (7) Cl.** **16-01**

[52] **U.S. Cl.** **D16/202**

[58] **Field of Search** D16/200-208,
D16/216-218; 348/373-376; 358/906, 909.1;
396/535-541

[56] **References Cited**

U.S. PATENT DOCUMENTS

| | | | | |
|------------|---------|----------------|-------|---------|
| D. 315,357 | 3/1991 | Fukutomi | | D16/202 |
| D. 330,562 | 10/1992 | Takada et al. | | D16/202 |
| D. 387,079 | 12/1997 | Horikiri | | D16/217 |
| D. 397,707 | 9/1998 | Naitou | | D16/202 |
| D. 402,301 | 12/1998 | Sekine | | D16/202 |
| D. 408,040 | 4/1999 | Miyahara | | D16/202 |
| D. 416,271 | 11/1999 | Ikenaga | | D16/202 |
| 4,945,372 | 7/1990 | Higuchi et al. | | 396/61 |

FOREIGN PATENT DOCUMENTS

| | | | | |
|----------|--------|-------|-------|------------|
| 08032852 | 2/1996 | Japan | | H04N 5/225 |
|----------|--------|-------|-------|------------|

OTHER PUBLICATIONS

“Automation Grows Up”; (Mamiya M645); Popular Photography; Apr. 1986; p. 50.

“Chinon, Olympus Breed New Camera Types—Is One Better?”; (Chinon’s Genesis); Popular Photography; May 1988; p. 50.

Yodobashi Camera; “The Point Network”; No. 41; Jun. 1998; pp. 4, 5, 14, 16, 111, 118 & 121.

Primary Examiner—Adir Aronovich
Attorney, Agent, or Firm—Rader, Fishman & Grauer

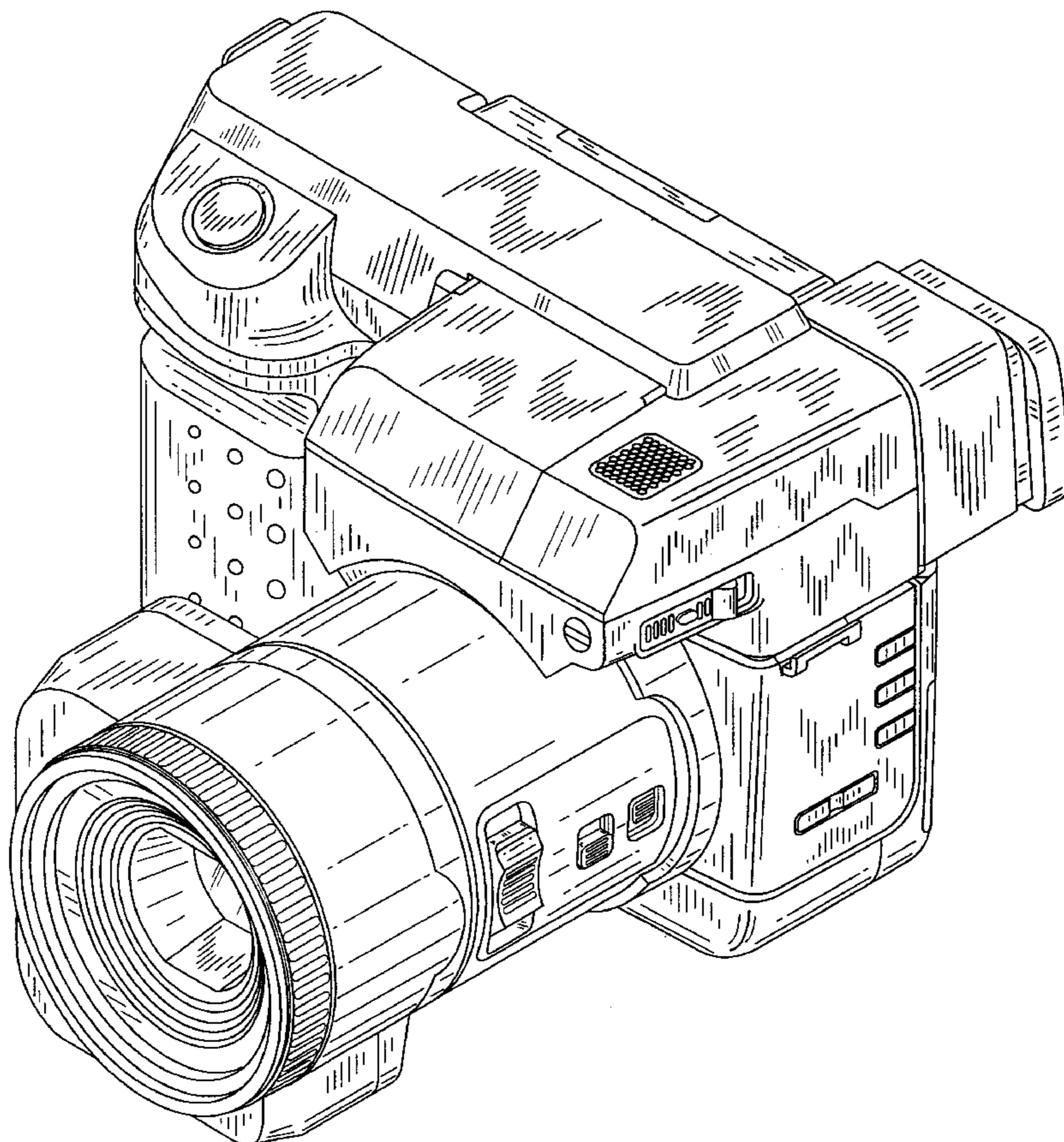
[57] **CLAIM**

The ornamental design for an electronic still camera having a monitor, as shown and described.

DESCRIPTION

FIG. 1 is a perspective view of an electronic still camera having a monitor showing my new design;
FIG. 2 is a top plan view thereof;
FIG. 3 is a left side elevational view thereof;
FIG. 4 is a front elevational view thereof;
FIG. 5 is a bottom plan view thereof;
FIG. 6 is a right side elevational view thereof;
FIG. 7 is a rear elevational view thereof; and,
FIG. 8 is a front elevational view of thereof, wherein the monitor portion is in the upright position.

1 Claim, 5 Drawing Sheets



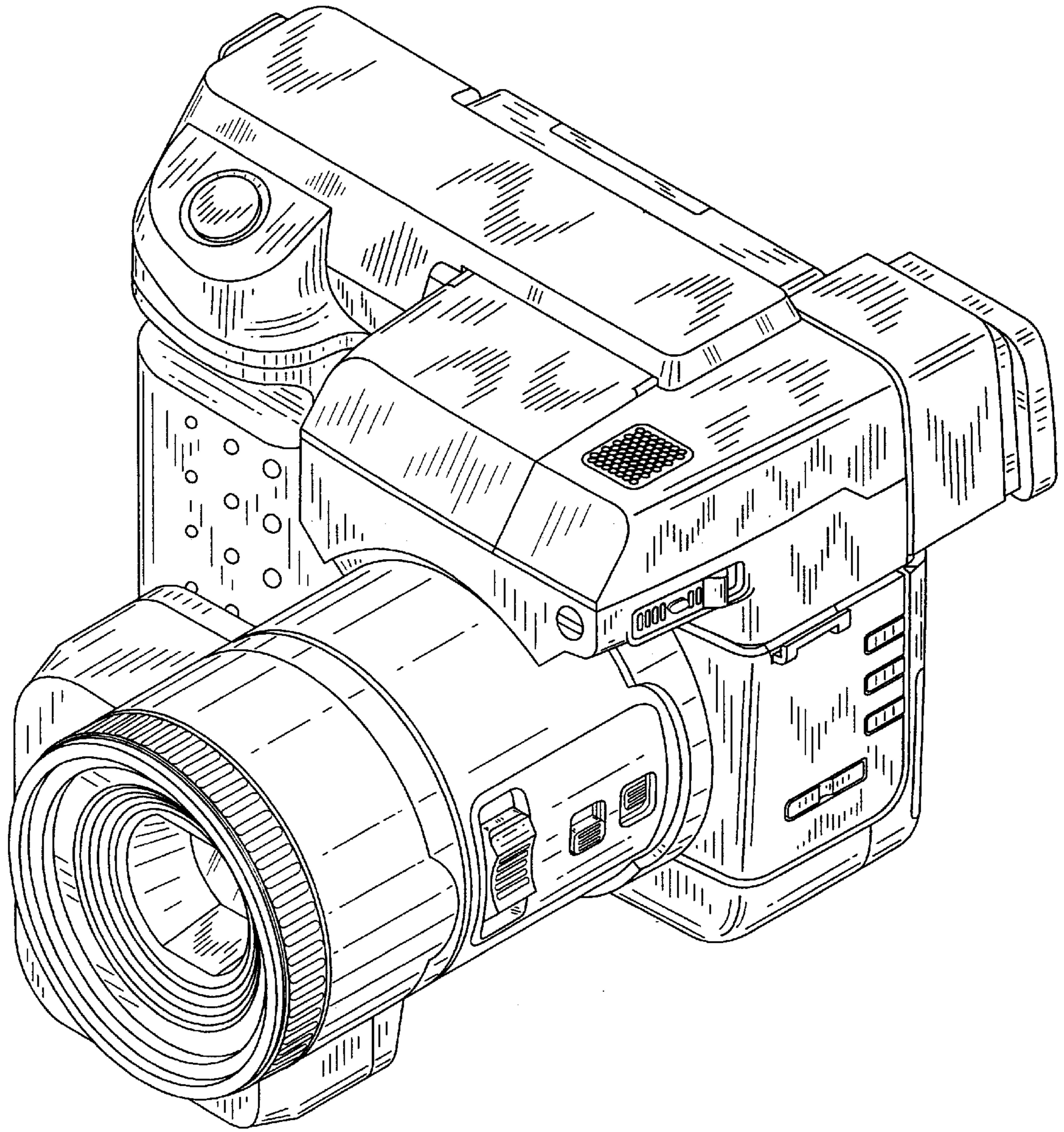


FIG. 1

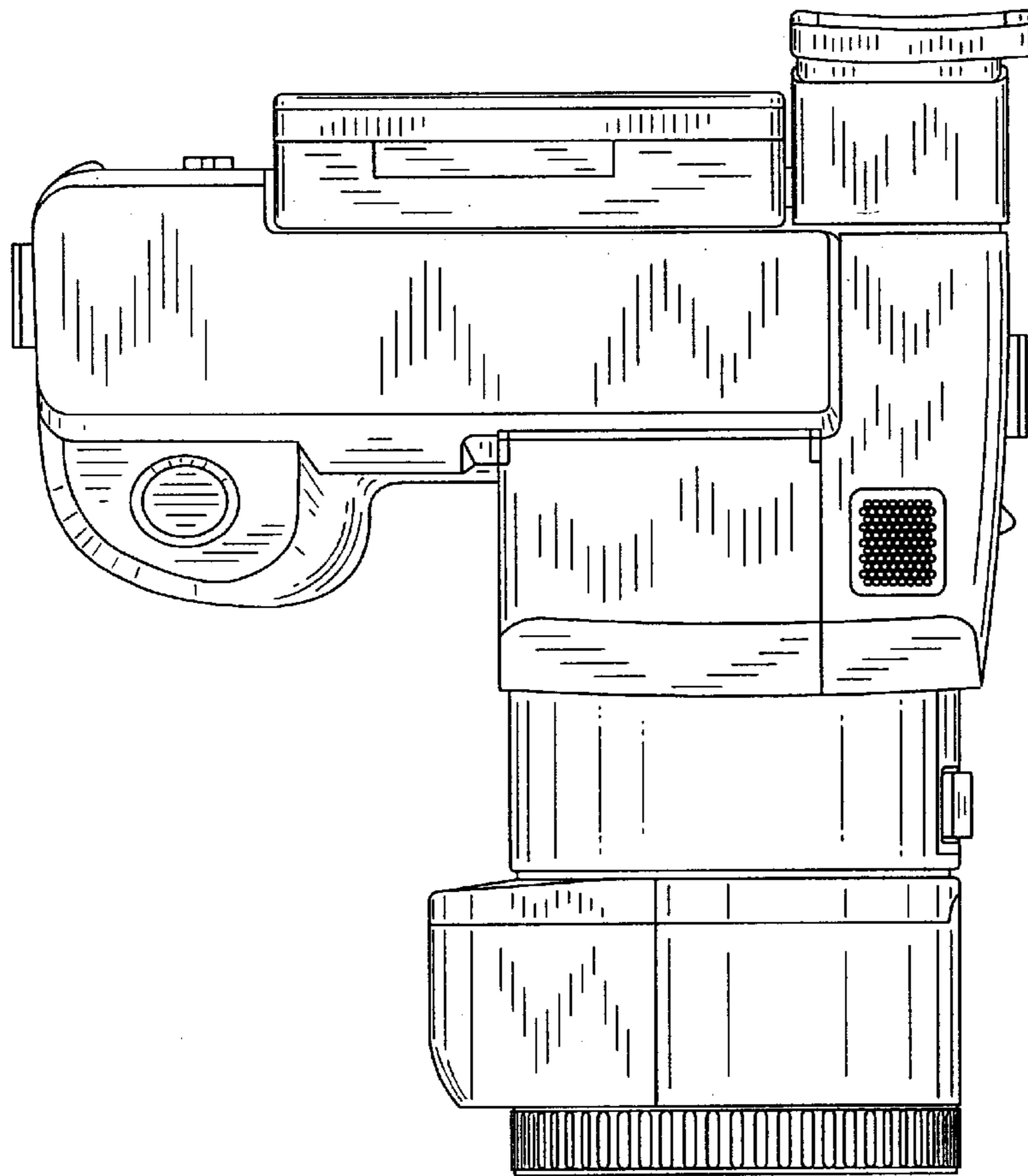


FIG. 2

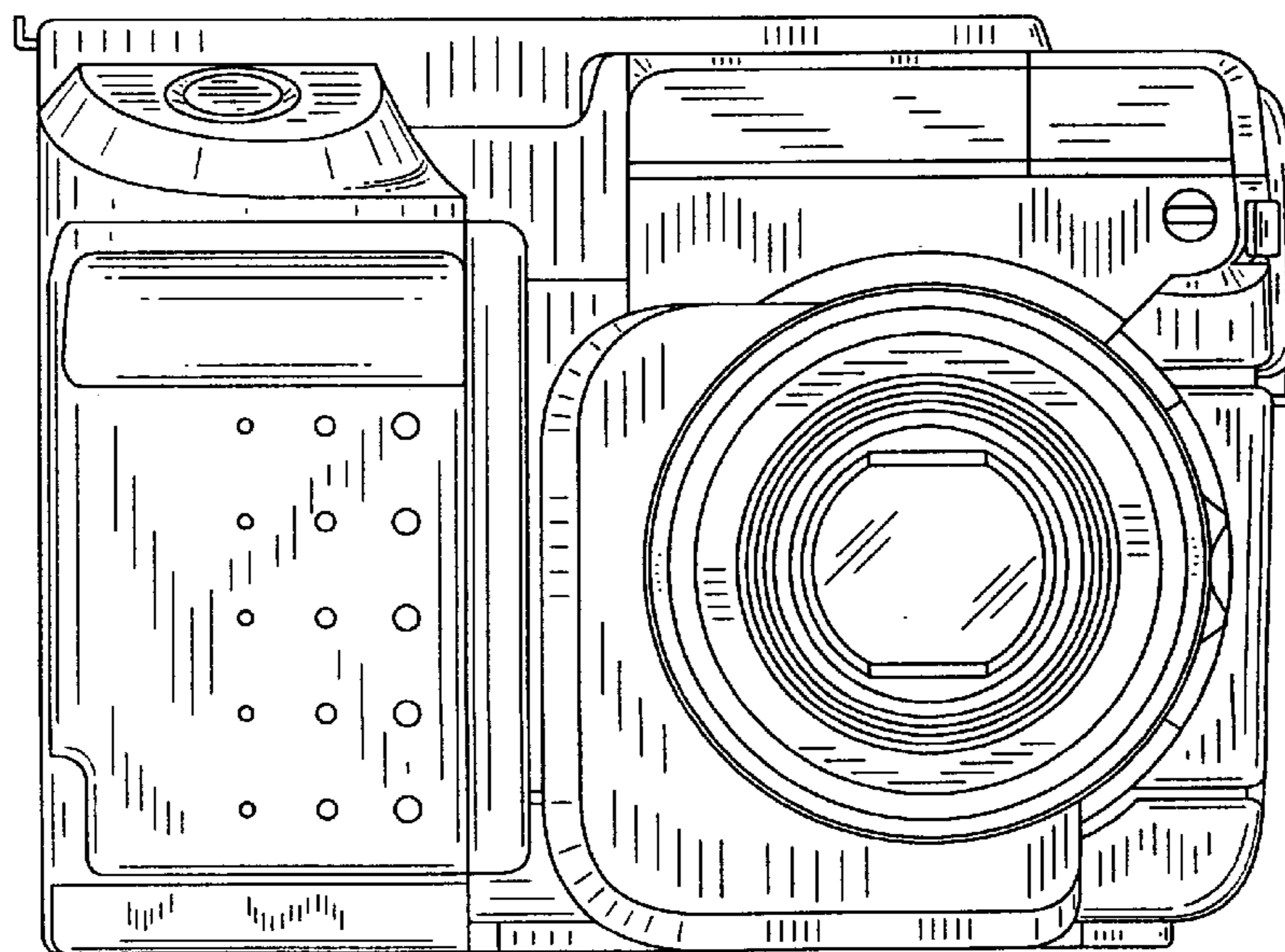


FIG. 4

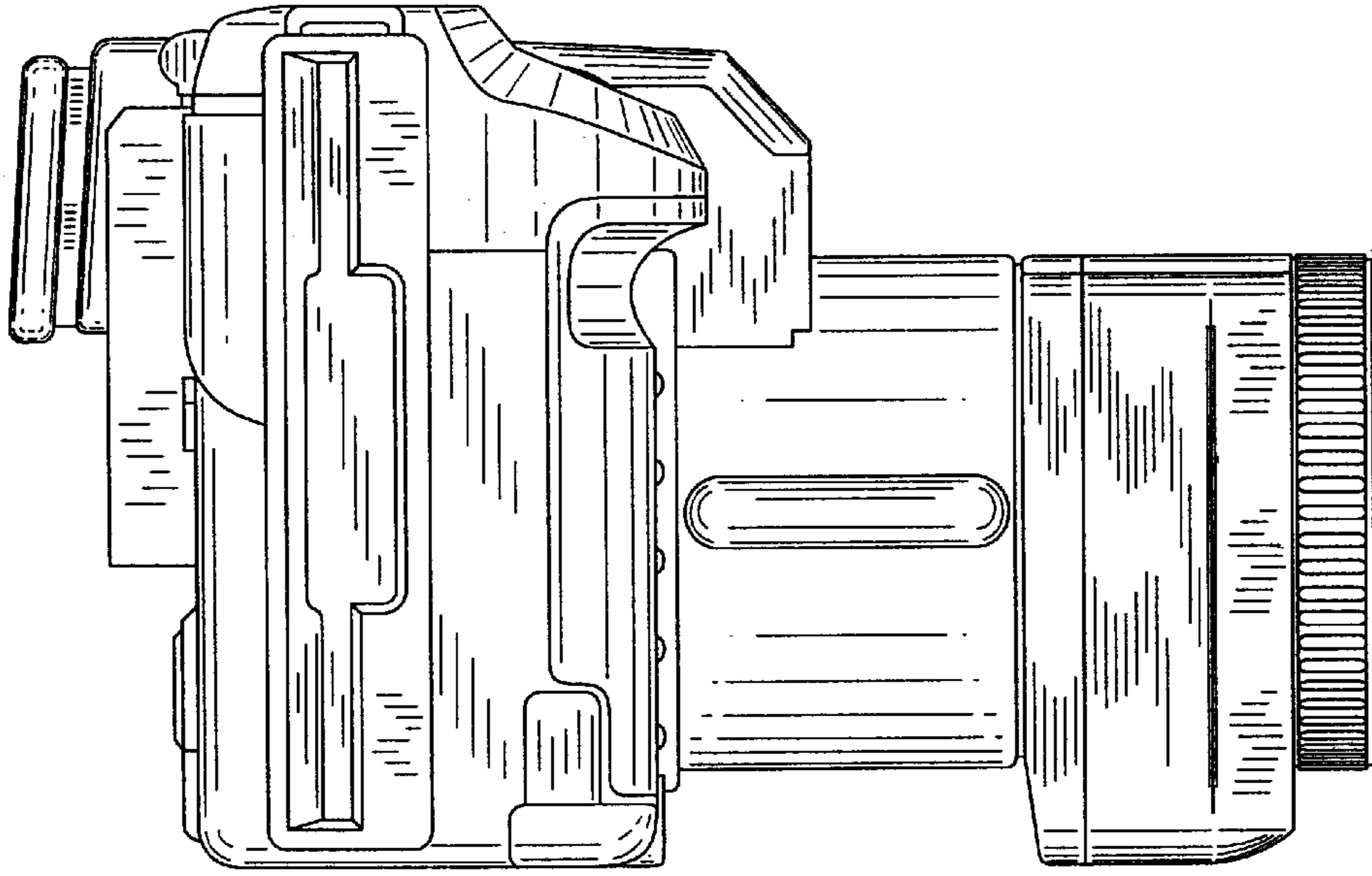


FIG. 3

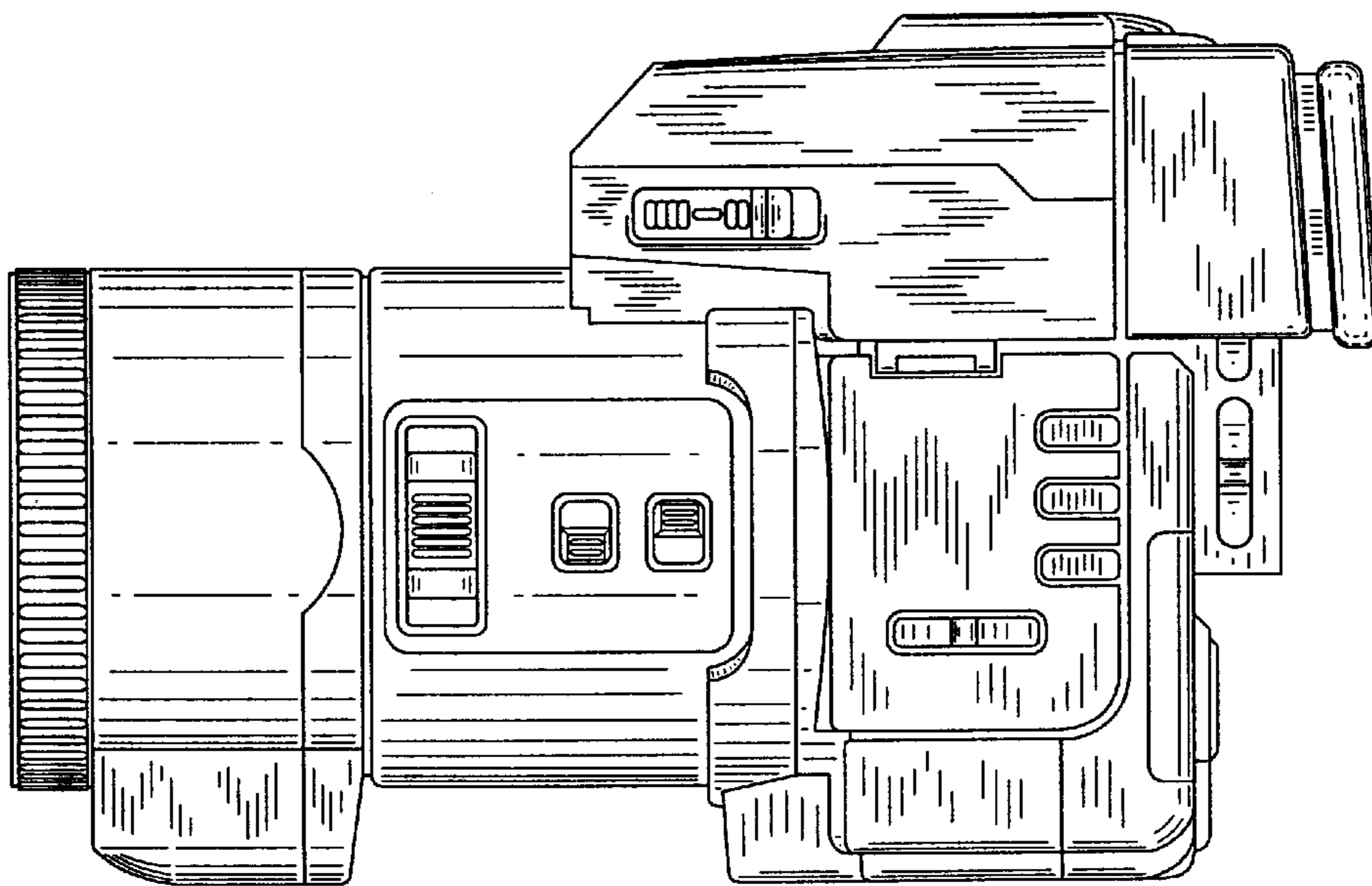


FIG. 6

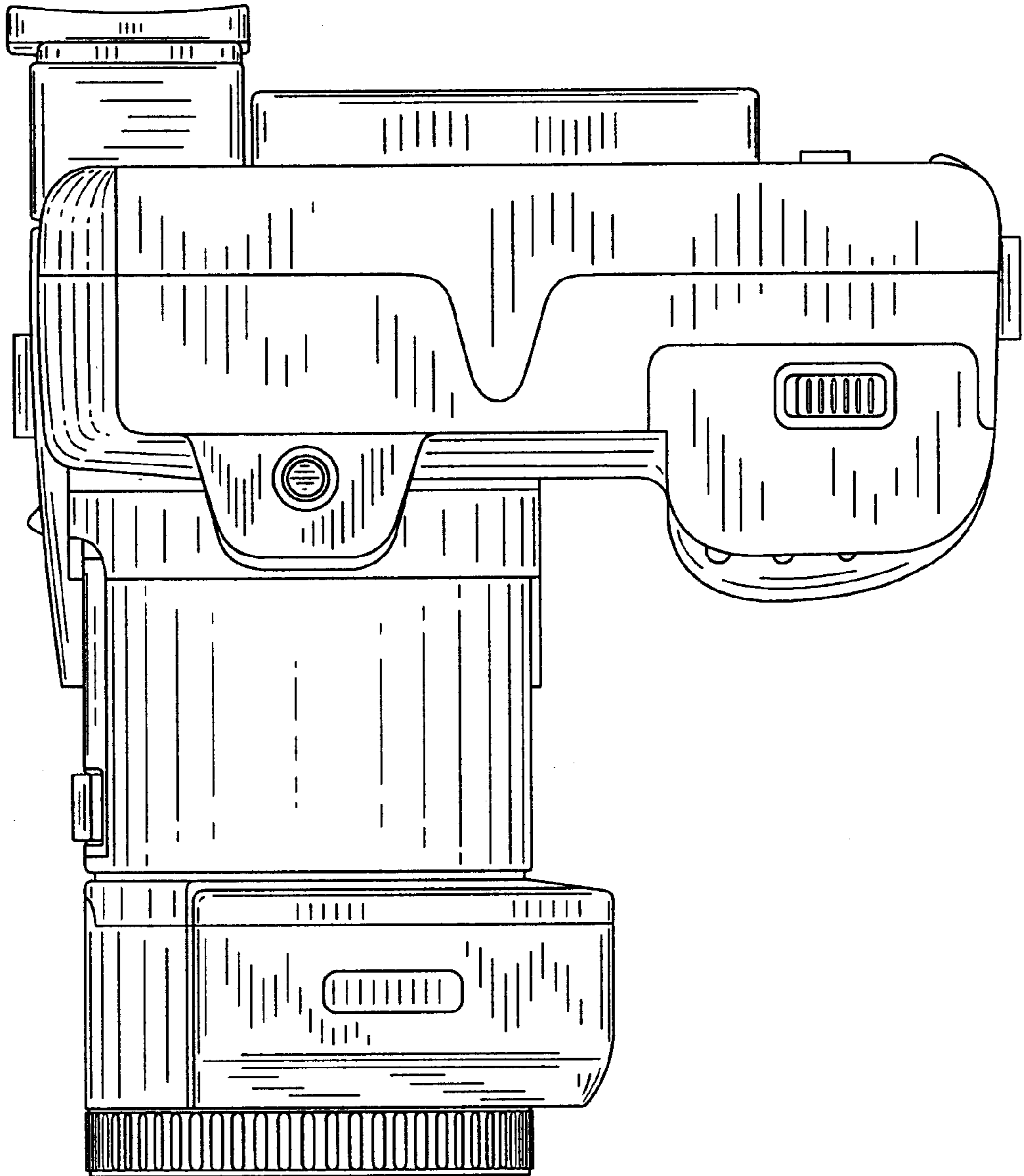


FIG. 5

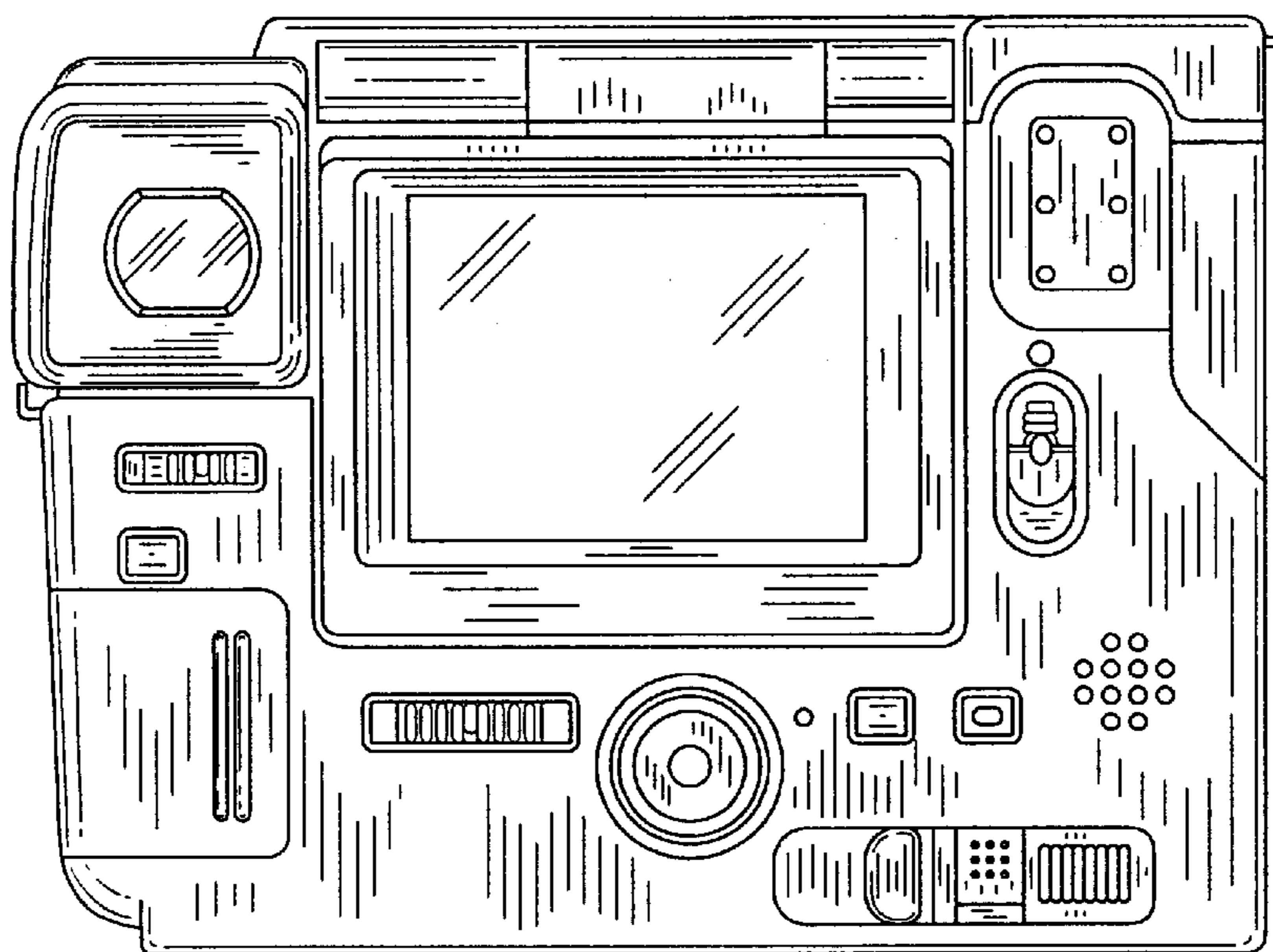


FIG. 7

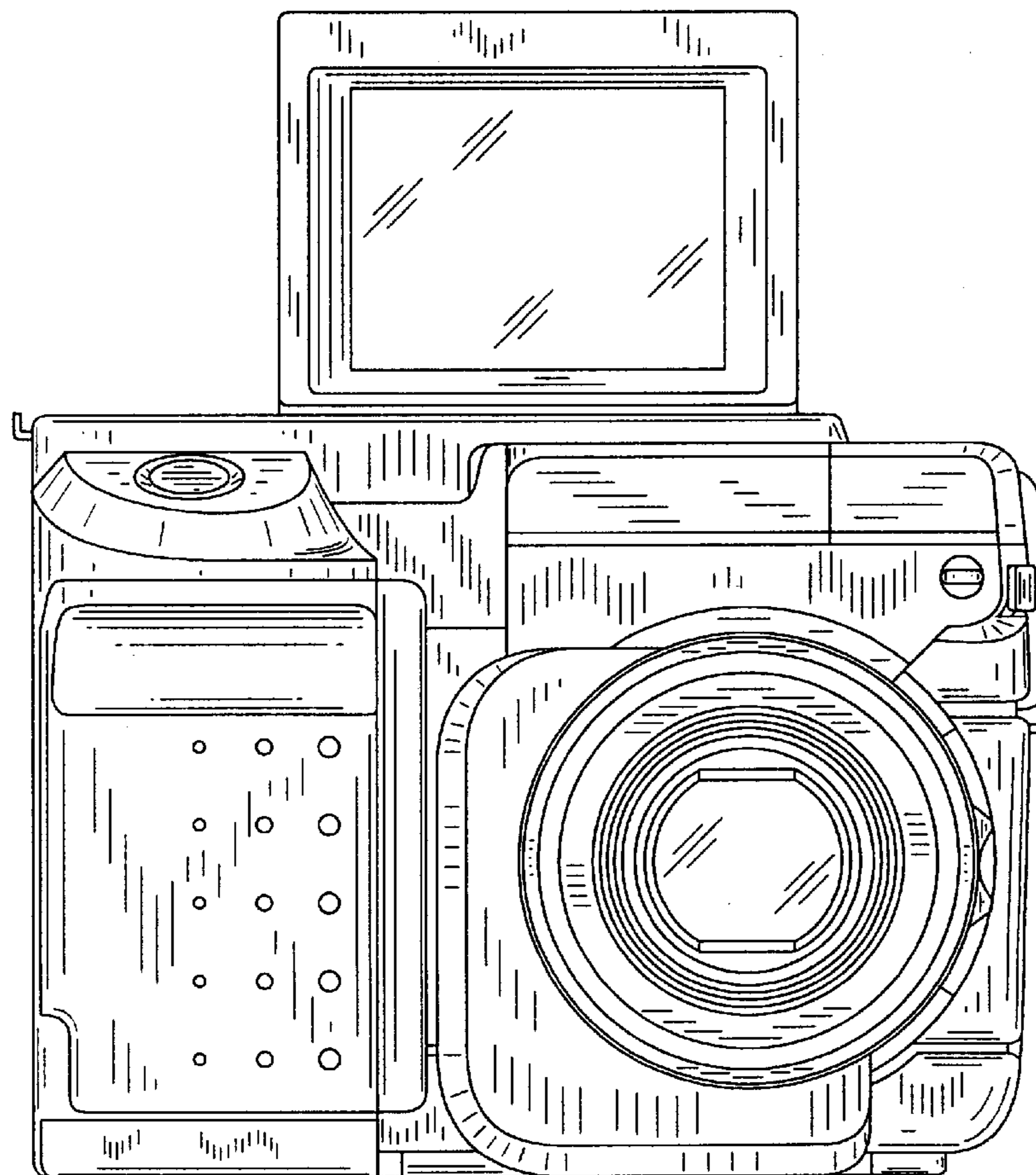


FIG. 8