



US00D433690S

# United States Patent [19] Kuroki

[11] **Patent Number: Des. 433,690**

[45] **Date of Patent: \*\* Nov. 14, 2000**

[54] **SEWING MACHINE**

[75] **Inventor: Nobuhusa Kuroki, Tokyo, Japan**

[73] **Assignee: Janome Sewing Machine Co., Ltd., Tokyo, Japan**

[\*\*] **Term: 14 Years**

[21] **Appl. No.: 29/115,310**

[22] **Filed: Dec. 13, 1999**

### [30] Foreign Application Priority Data

Sep. 9, 1999 [JP] Japan ..... 11-24578

[51] **LOC (7) Cl. .... 15-06**

[52] **U.S. Cl. .... D15/70**

[58] **Field of Search ..... D15/66-72; 112/217.1-217.4, 112/256-261**

### [56] References Cited

#### U.S. PATENT DOCUMENTS

D. 247,901 5/1978 Fresard ..... D15/70

D. 260,995 9/1981 Fresard ..... D15/70  
D. 300,543 4/1989 Yoneda ..... D15/70  
D. 337,772 7/1993 Kuroki ..... D15/70  
D. 359,964 7/1995 Nakajima et al. .... D15/69

*Primary Examiner*—Sandra L. Morris  
*Attorney, Agent, or Firm*—Lowe Hauptman Gopstein  
Gilman & Berner

### [57] CLAIM

The ornamental design for a sewing machine, as shown and described herein.

### DESCRIPTION

FIG. 1 is a perspective view of a sewing machine showing my design;  
FIG. 2 is a front elevational view thereof;  
FIG. 3 is a rear elevational view thereof;  
FIG. 4 is a top plan view thereof;  
FIG. 5 is a bottom plan view thereof;  
FIG. 6 is a left side elevational view thereof; and,  
FIG. 7 is a right side elevational view thereof.

**1 Claim, 7 Drawing Sheets**

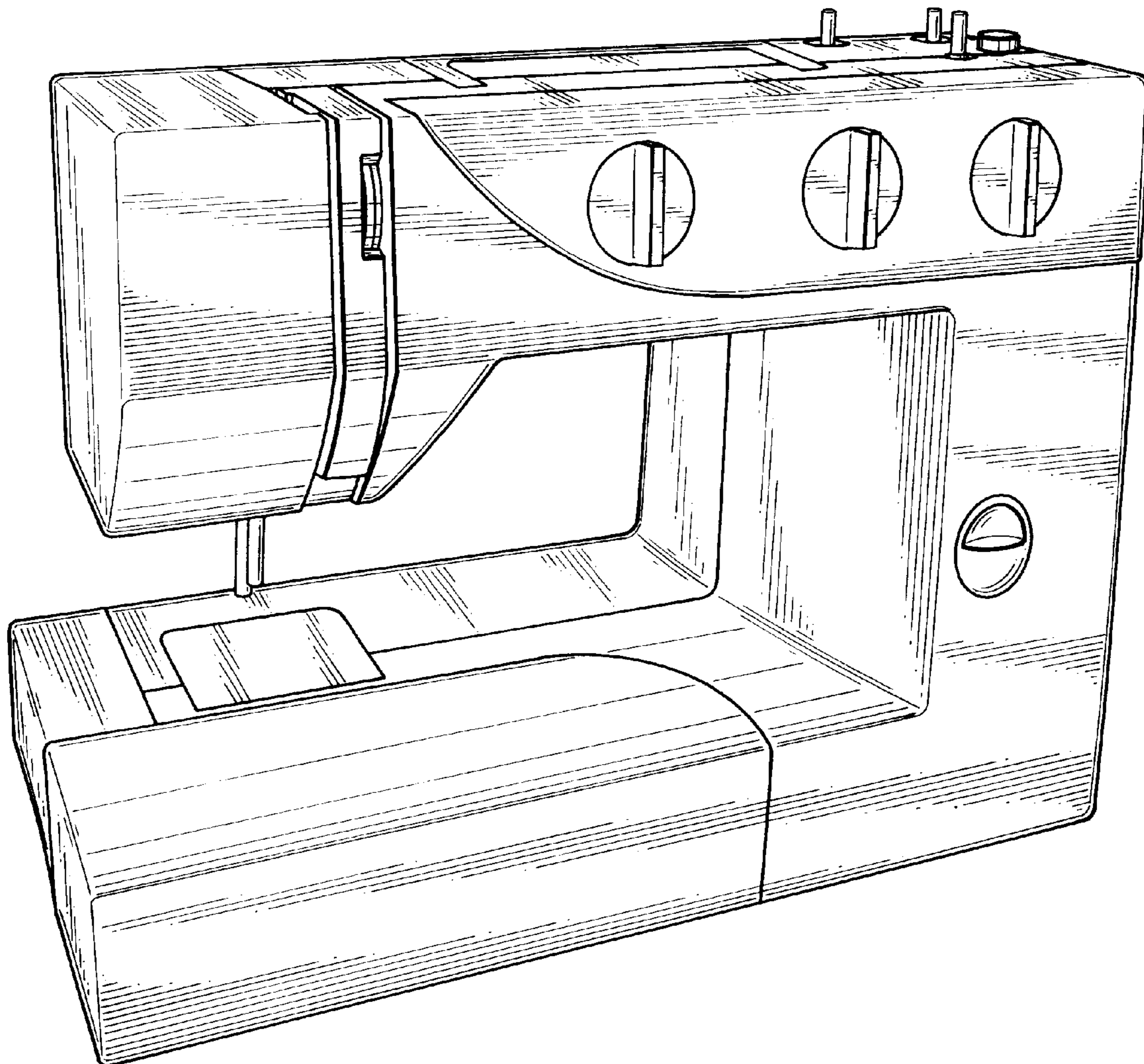


FIG. 1

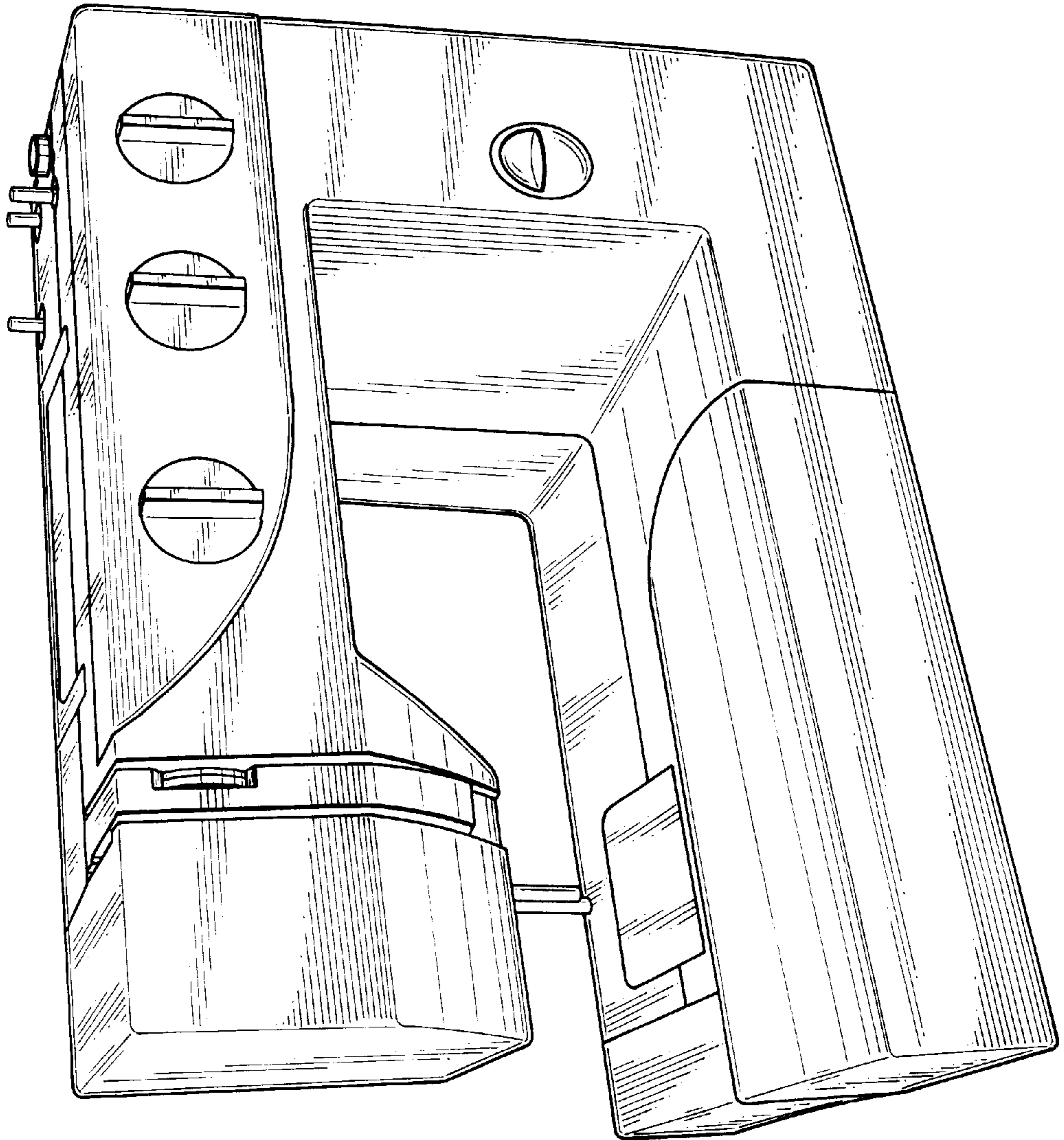


FIG. 2

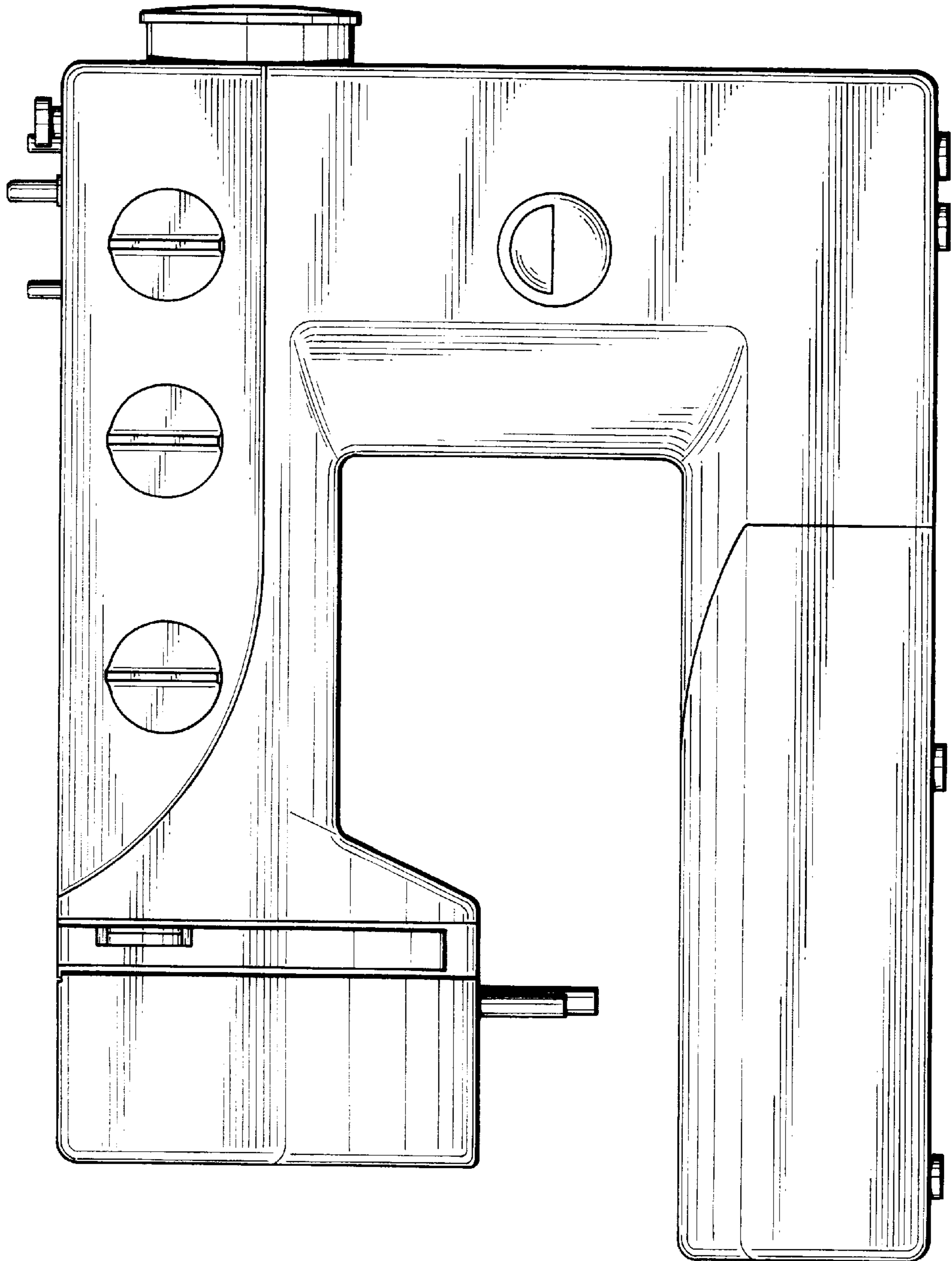


FIG. 3

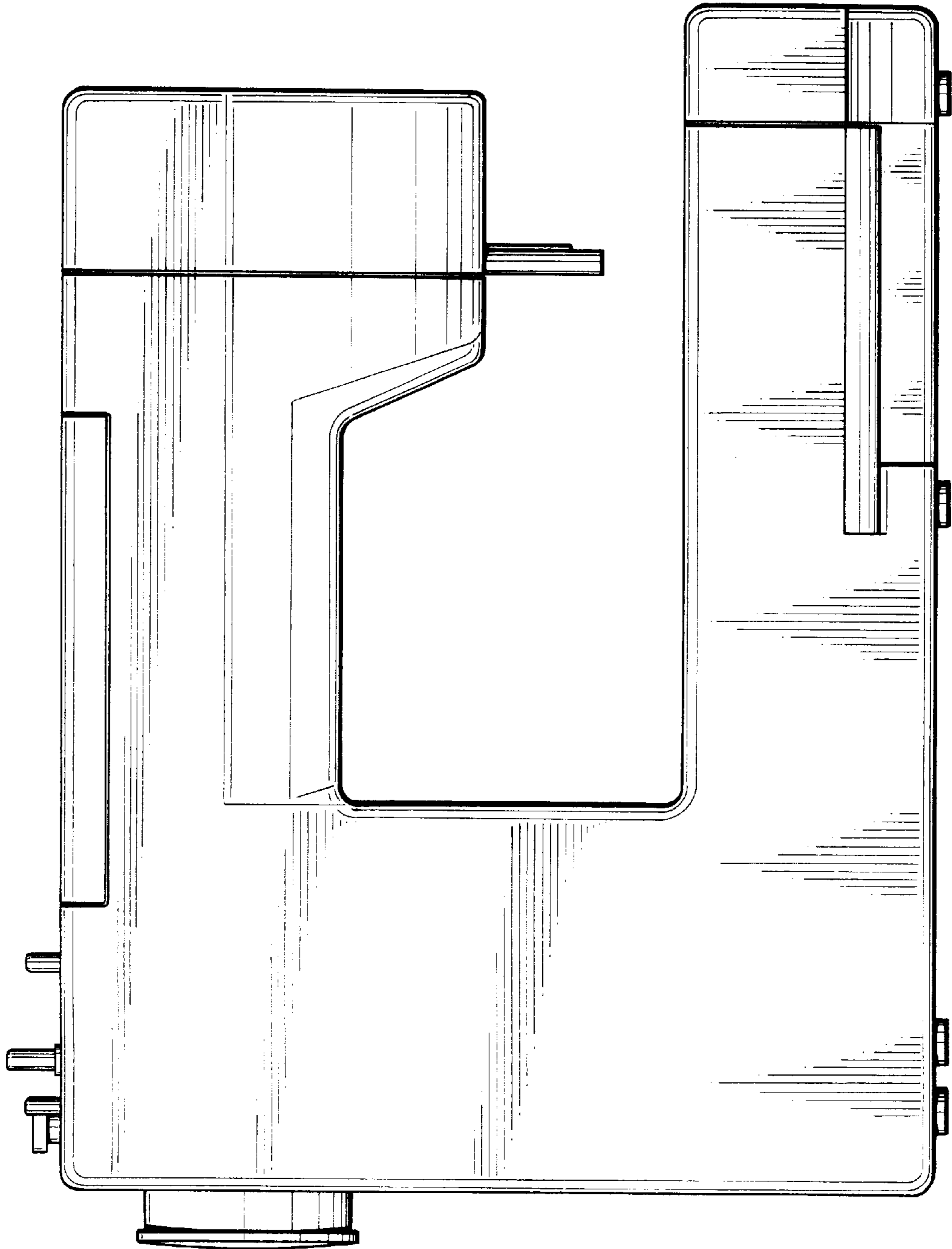


FIG. 4

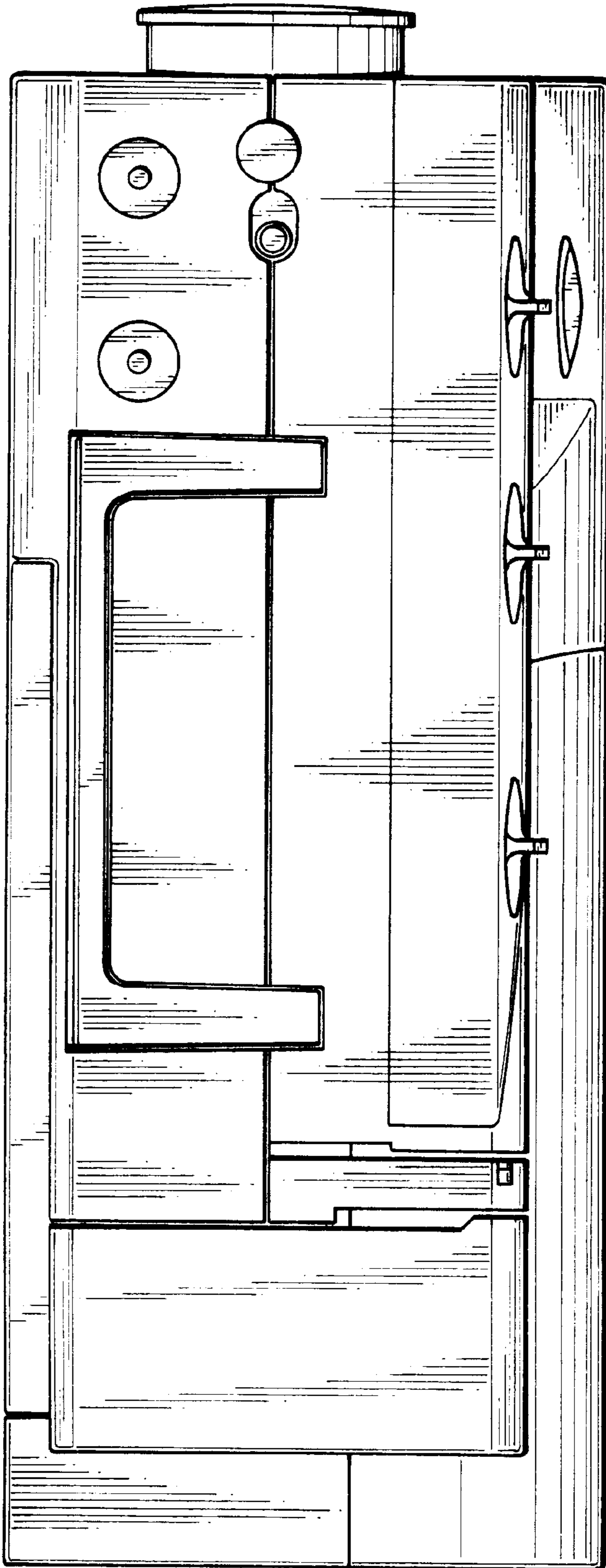


FIG. 5

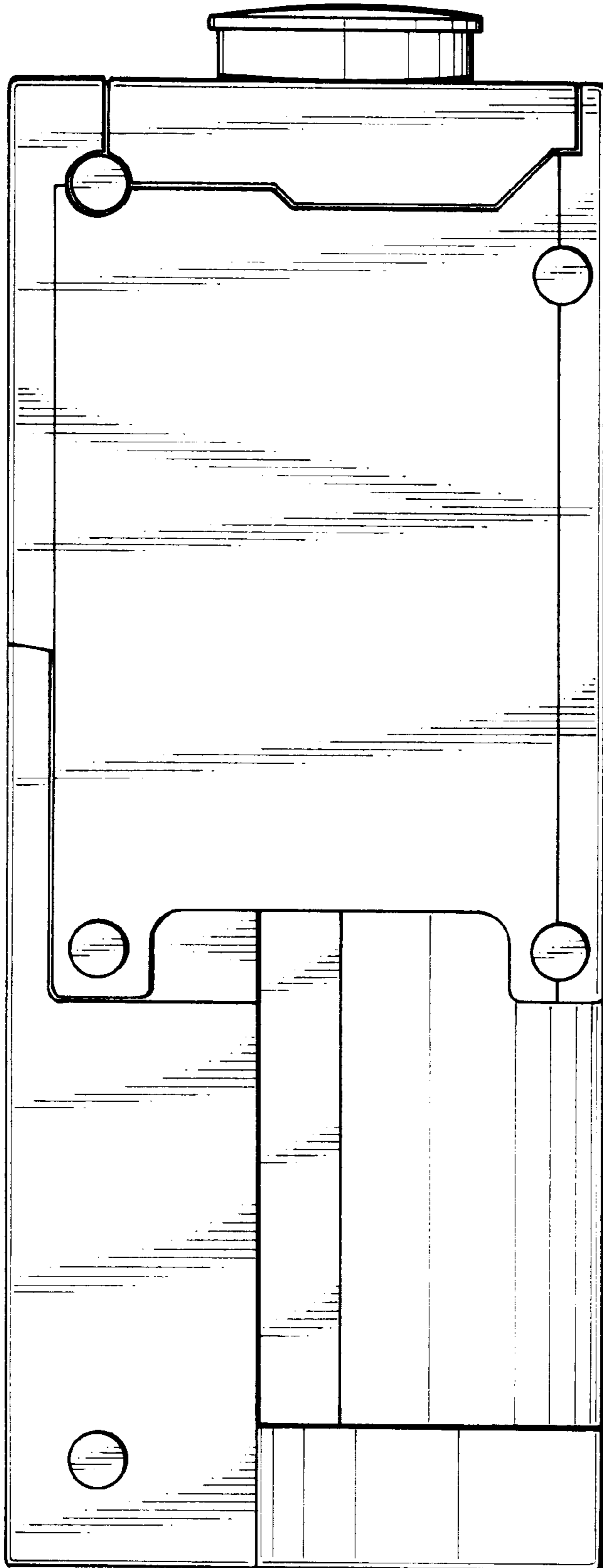


FIG. 6

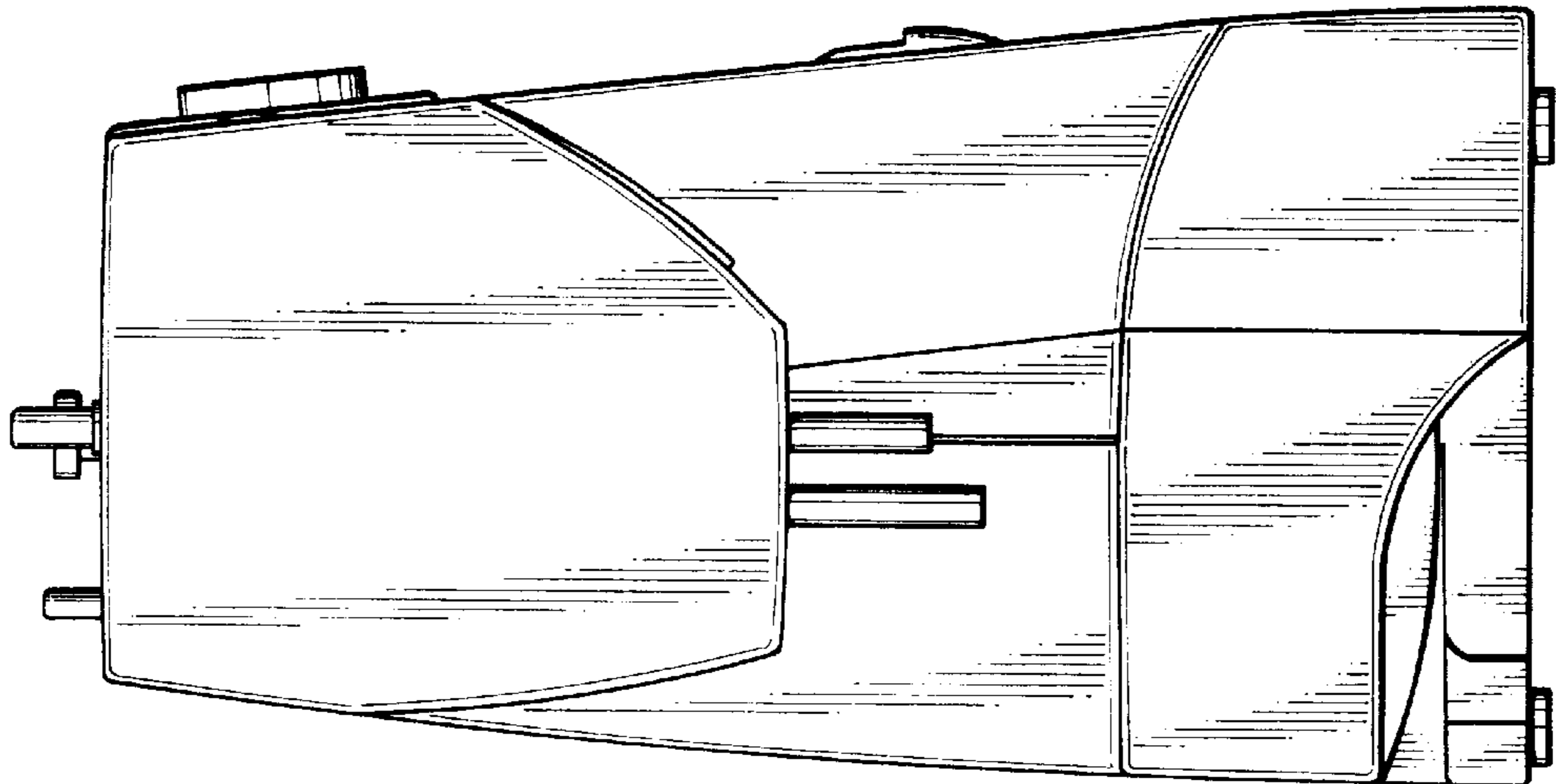


FIG. 7

