



US00D433689S

United States Patent [19]

Kraft et al.

[11] **Patent Number: Des. 433,689**

[45] **Date of Patent: ** Nov. 14, 2000**

[54] EXCAVATOR CAB WITH SIDE COVER

[75] Inventors: **Troy D. Kraft**, Bismarck, N. Dak.; **Gary W. Weddle**, Bedford, Tex.; **John W. Henline**, Bismarck, N. Dak.; **Dennis A. Fuller**, Bismarck, N. Dak.; **Paul S. Huettl**, Bismarck, N. Dak.

[73] Assignee: **Clark Equipment Company**, Woodcliff Lake, N.J.

[**] Term: **14 Years**

[21] Appl. No.: **29/112,941**

[22] Filed: **Oct. 27, 1999**

[51] **LOC (7) Cl.** **15-04**

[52] **U.S. Cl.** **D15/30; D15/25**

[58] **Field of Search** D15/10, 22-26,
D15/28, 31, 30; 180/89.1, 89.12, 900; 212/178;
296/190.1; 414/680, 685, 694, 698, 719,
722, 743

[56] **References Cited**

U.S. PATENT DOCUMENTS

D. 209,137	11/1967	Highberger et al.	D15/24
D. 237,996	12/1975	Pierre	D15/30
D. 273,384	4/1984	Nasu et al.	D15/24
D. 338,019	8/1993	Bhambra	D15/25
D. 391,272	2/1998	Jin et al.	D15/25
D. 406,152	2/1999	Miyaoka et al.	D15/25
5,096,253	3/1992	Jo et al.	296/190
5,544,435	8/1996	Somero	37/405

OTHER PUBLICATIONS

Brochure 300 C-Series Excavators, Melroe/Ingersoll Rand, Published Jan., 1997.

Worksaver Bobcatalog, Cover Page and pp. 3 and 13, Published on or about Jan. 1997.

"Buying a Compact Excavator" including showings of BOBCAT Excavator Models 320, 325, 328, 334, 331 and 337 (pp. 12-14 and 17-20), Publication date on or about Jan., 1999.

Brochure BOBCAT 341 Excavator, Melroe/Ingersoll Rand, Published Mar. 1999.

Brochure BOBCAT 334 Excavator, Published Dec. 1998.

Brochure BOBCAT 328 Excavator, Published Dec. 1998.

Primary Examiner—Sandra L. Morris

Attorney, Agent, or Firm—Westman, Champlin & Kelly, P.A.

[57] **CLAIM**

The excavator cab with side cover, as shown and described.

DESCRIPTION

FIG. 1 is a front perspective view of an excavator cab with side cover embodying our new design, the broken line showing of the vehicle and tool being for illustrative purposes only, and forming no part of the claimed design;

FIG. 2 is a top plan view thereof;

FIG. 3 is a front elevational view thereof;

FIG. 4 is a right side elevational view thereof;

FIG. 5 is a left side elevational view thereof;

FIG. 6 is a rear elevational view thereof; and,

FIG. 7 is a bottom plan view thereof.

1 Claim, 4 Drawing Sheets

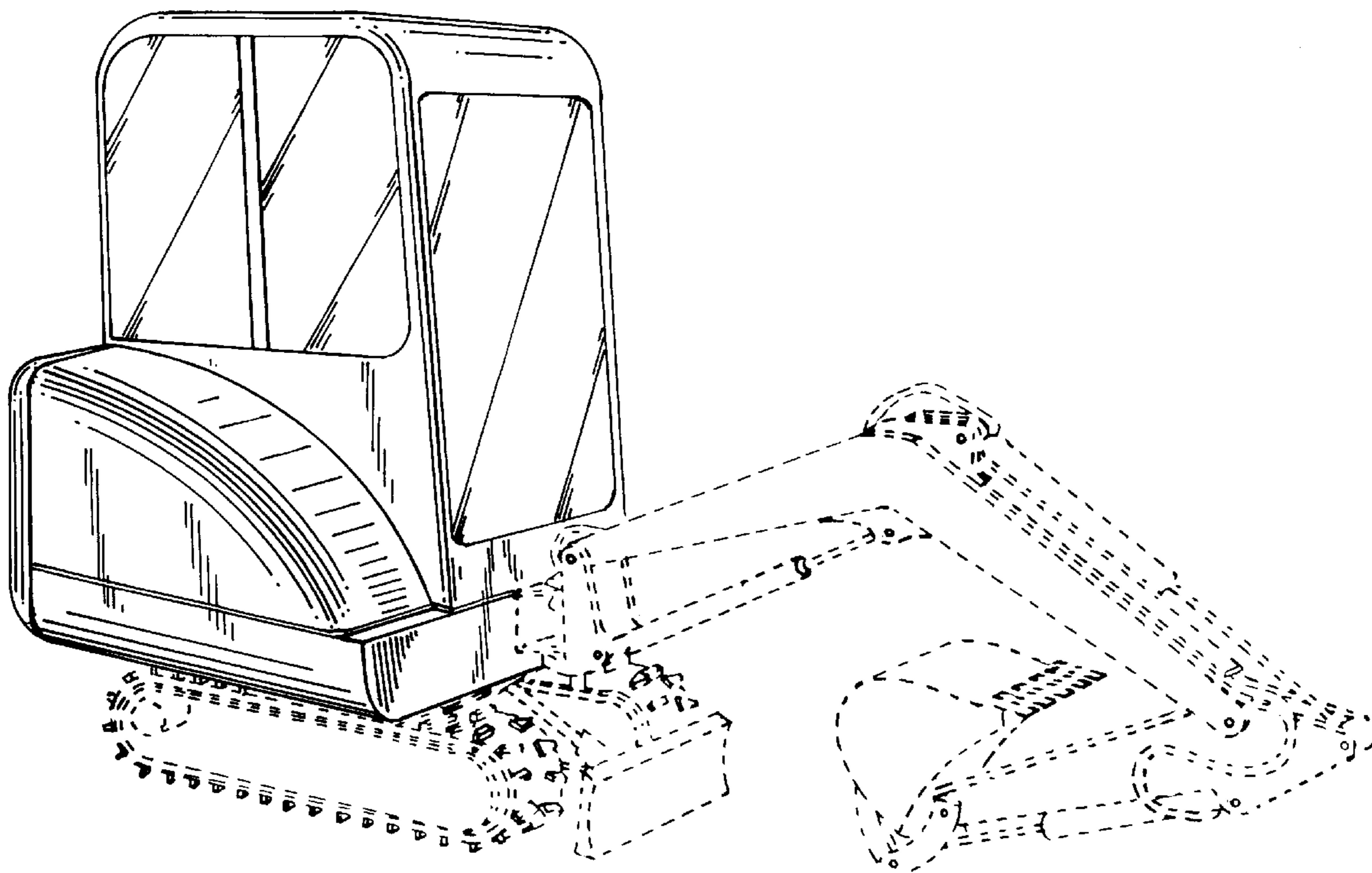
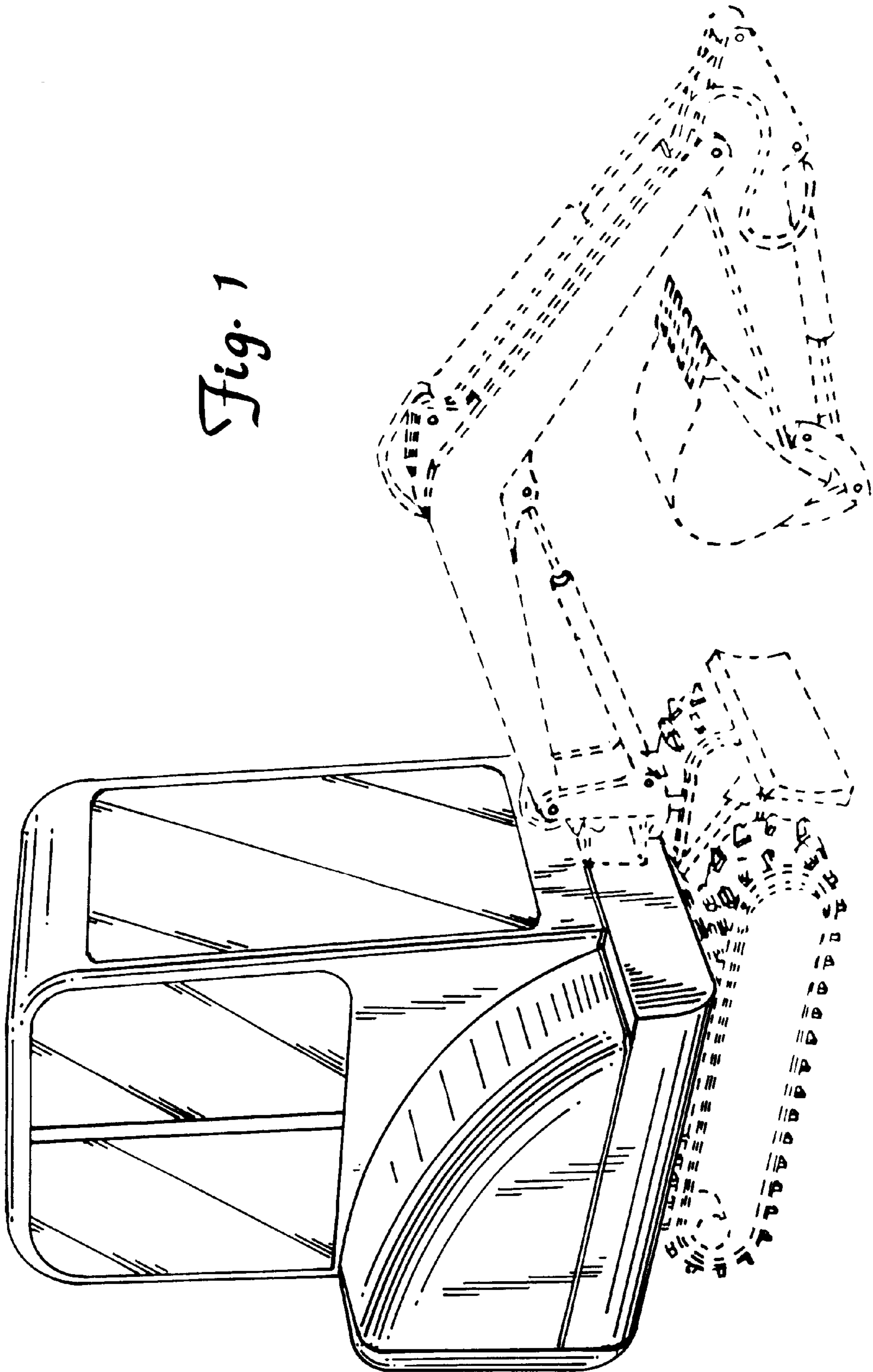


Fig. 1



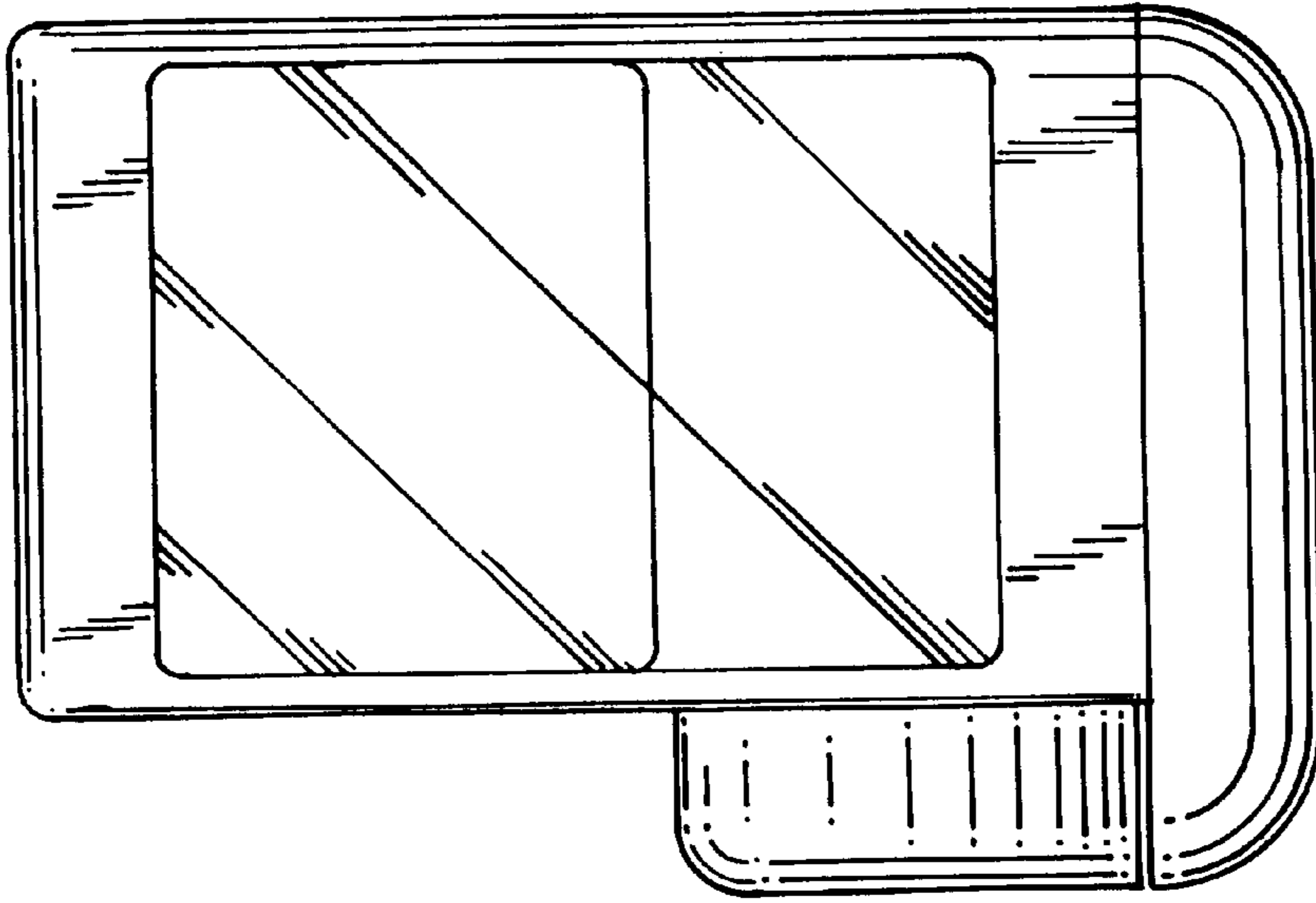


Fig. 3

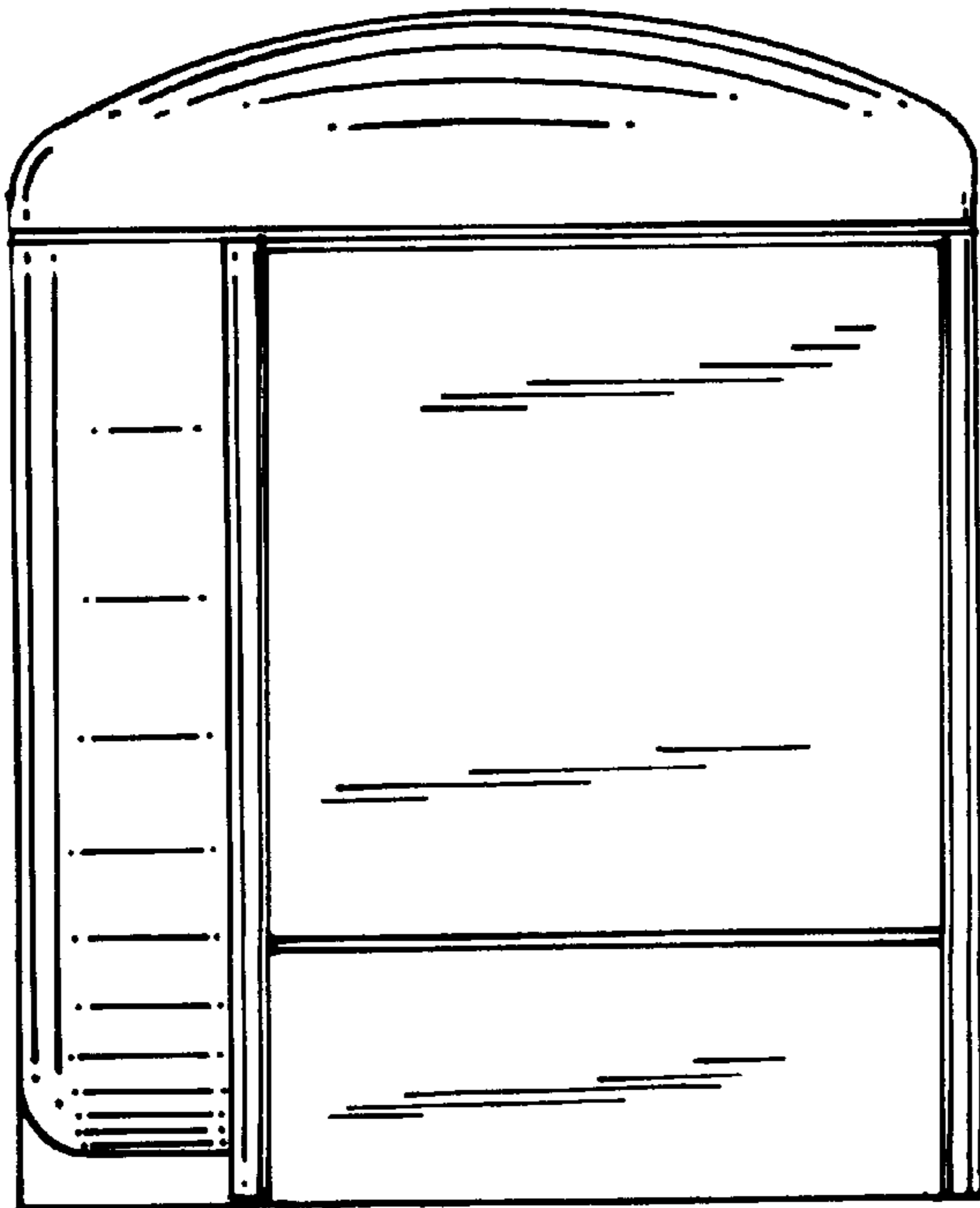


Fig. 2

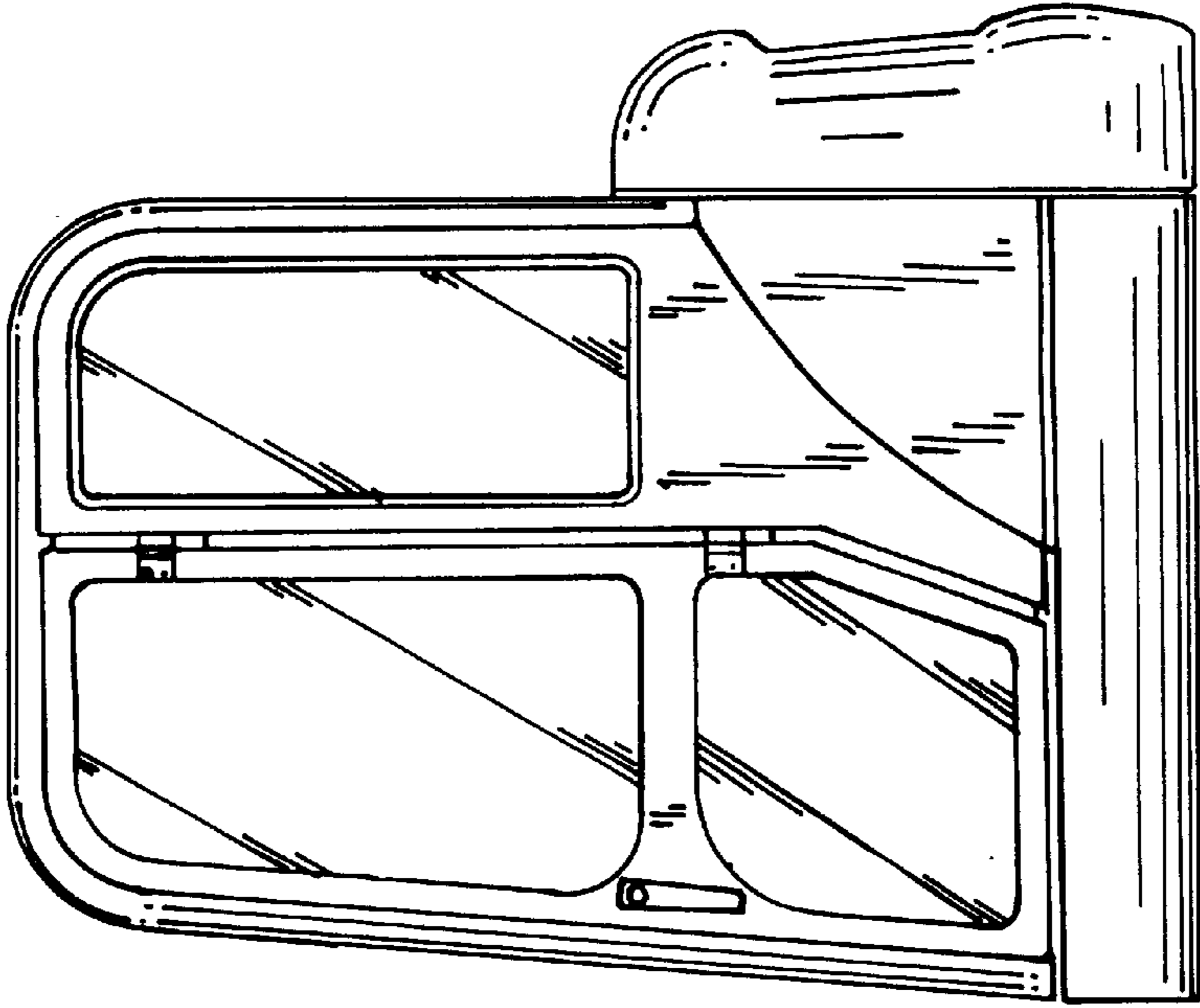


Fig. 5

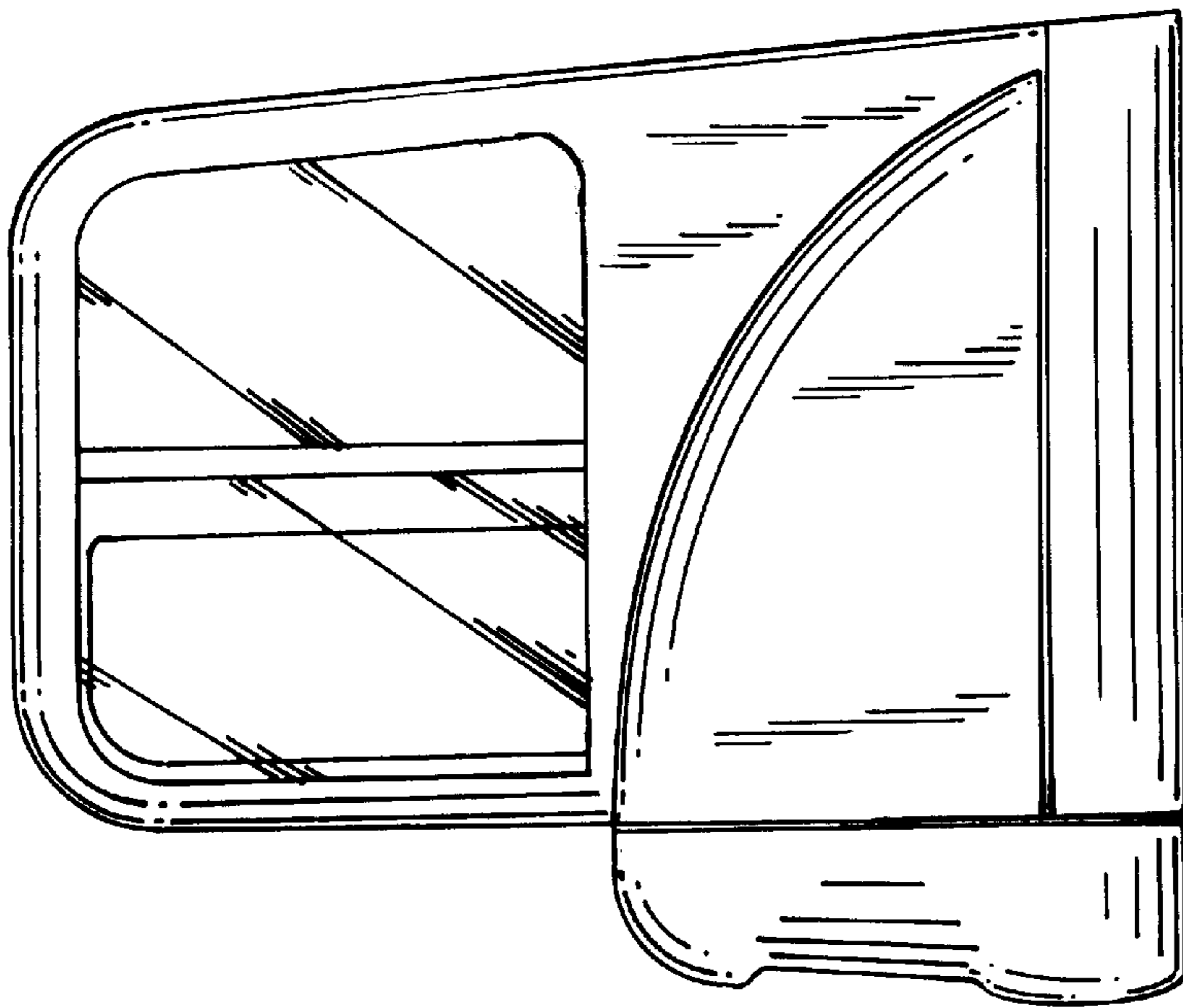


Fig. 4

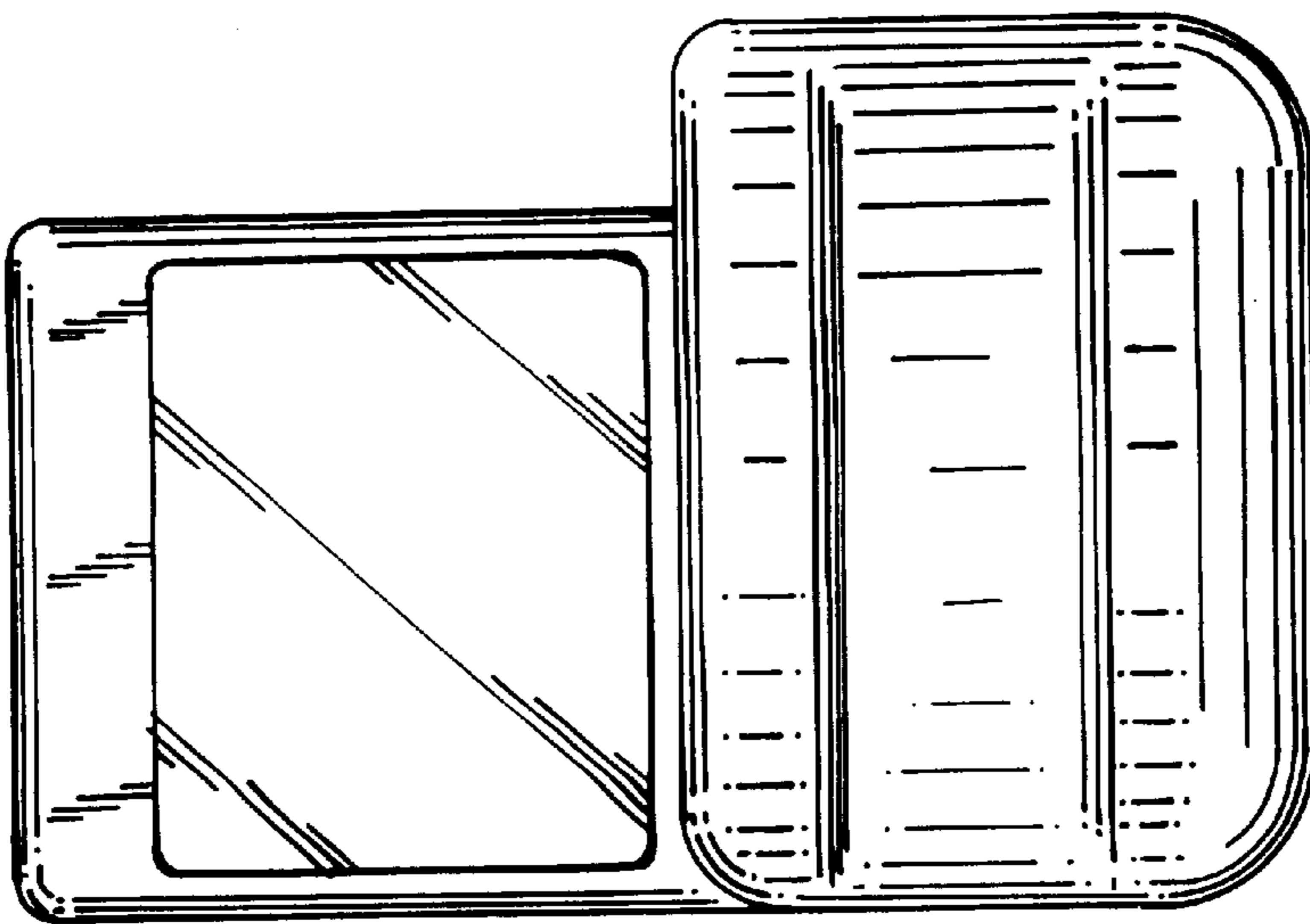


Fig. 6

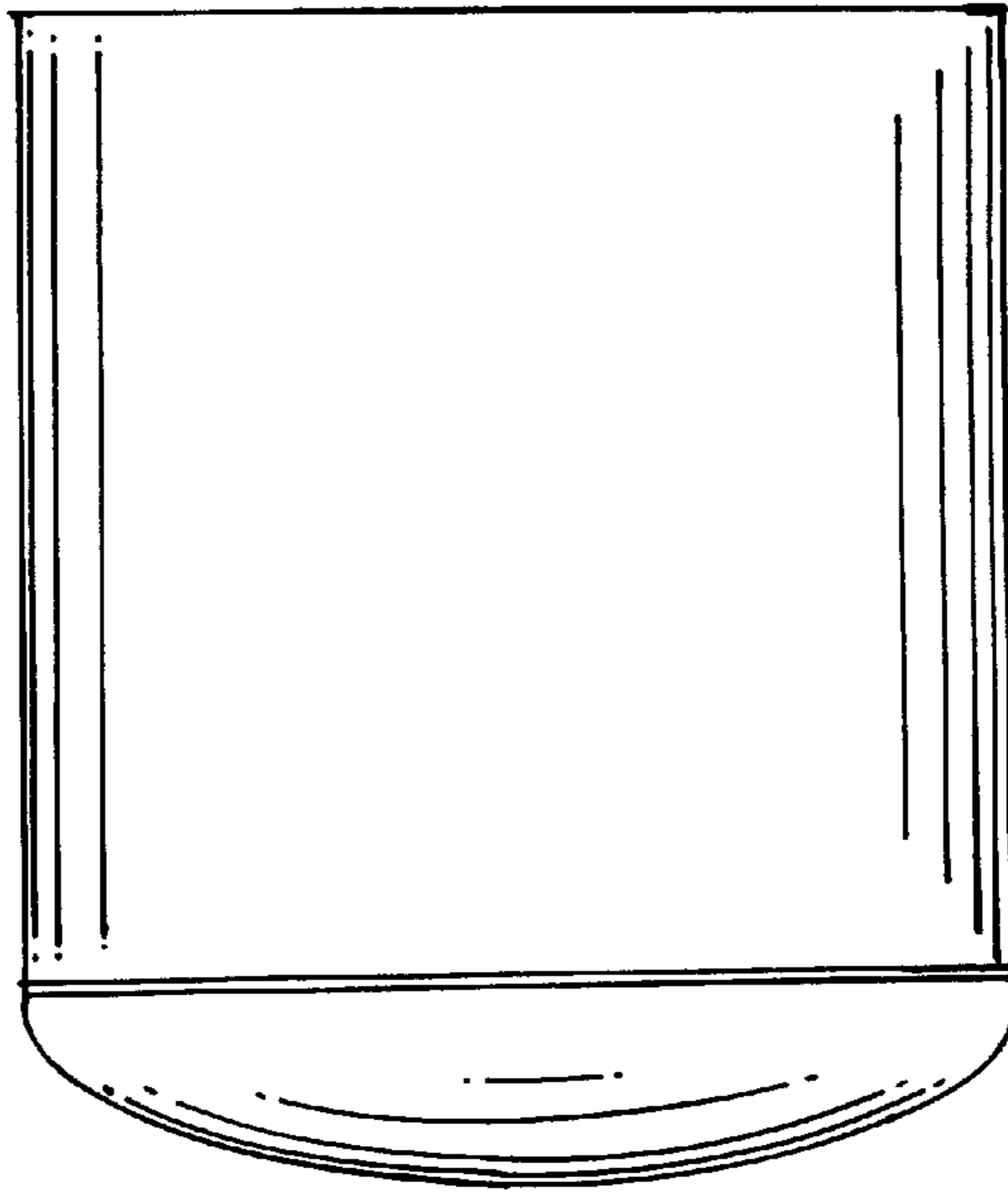


Fig. 7