



US00D433683S

United States Patent [19]

Adachi et al.

[11] Patent Number: **Des. 433,683**

[45] Date of Patent: **** Nov. 14, 2000**

[54] **IMAGE PICKUP APPARATUS**

[75] Inventors: **Tomoyuki Adachi**, Konan; **Tetsuro Kato**, Nagoya, both of Japan

[73] Assignee: **Elmo Co., Ltd.**, Aichi, Japan

[**] Term: **14 Years**

[21] Appl. No.: **29/109,852**

[22] Filed: **Aug. 24, 1999**

[30] **Foreign Application Priority Data**

Feb. 24, 1999 [JP] Japan 11-4575

[51] **LOC (7) Cl.** **14-02**

[52] **U.S. Cl.** **D14/423; D16/232**

[58] **Field of Search** D14/423; D16/221, D16/225, 229, 232; 353/119, 122, DIG. 3, DIG. 4; 355/64, 65; 348/141, 373

[56] **References Cited**

U.S. PATENT DOCUMENTS

- D. 352,502 11/1994 Hasegawa D14/423
- D. 364,852 12/1995 Park D14/423
- D. 376,139 12/1996 Hasegawa D14/423
- D. 387,038 12/1997 Sakuta et al. D14/423

- D. 422,571 4/2000 Sakata et al. D14/423
- D. 423,472 4/2000 Adachi D14/423
- D. 424,091 5/2000 Oh D16/232
- 4,963,986 10/1990 Fukuyama et al. 348/373
- 5,396,281 3/1995 Maeda 348/141

Primary Examiner—Adir Aronovich
Attorney, Agent, or Firm—Koda & Androlia

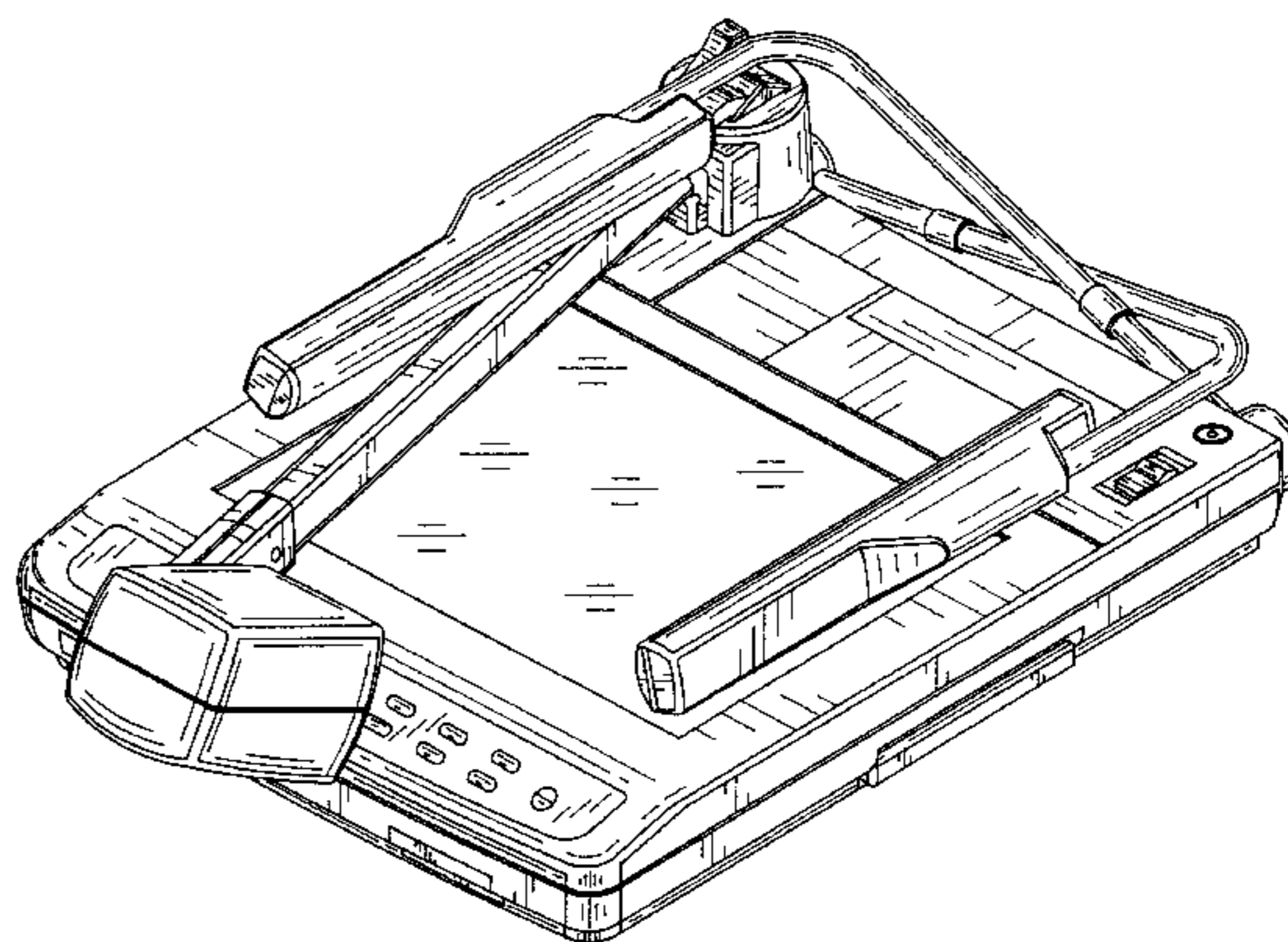
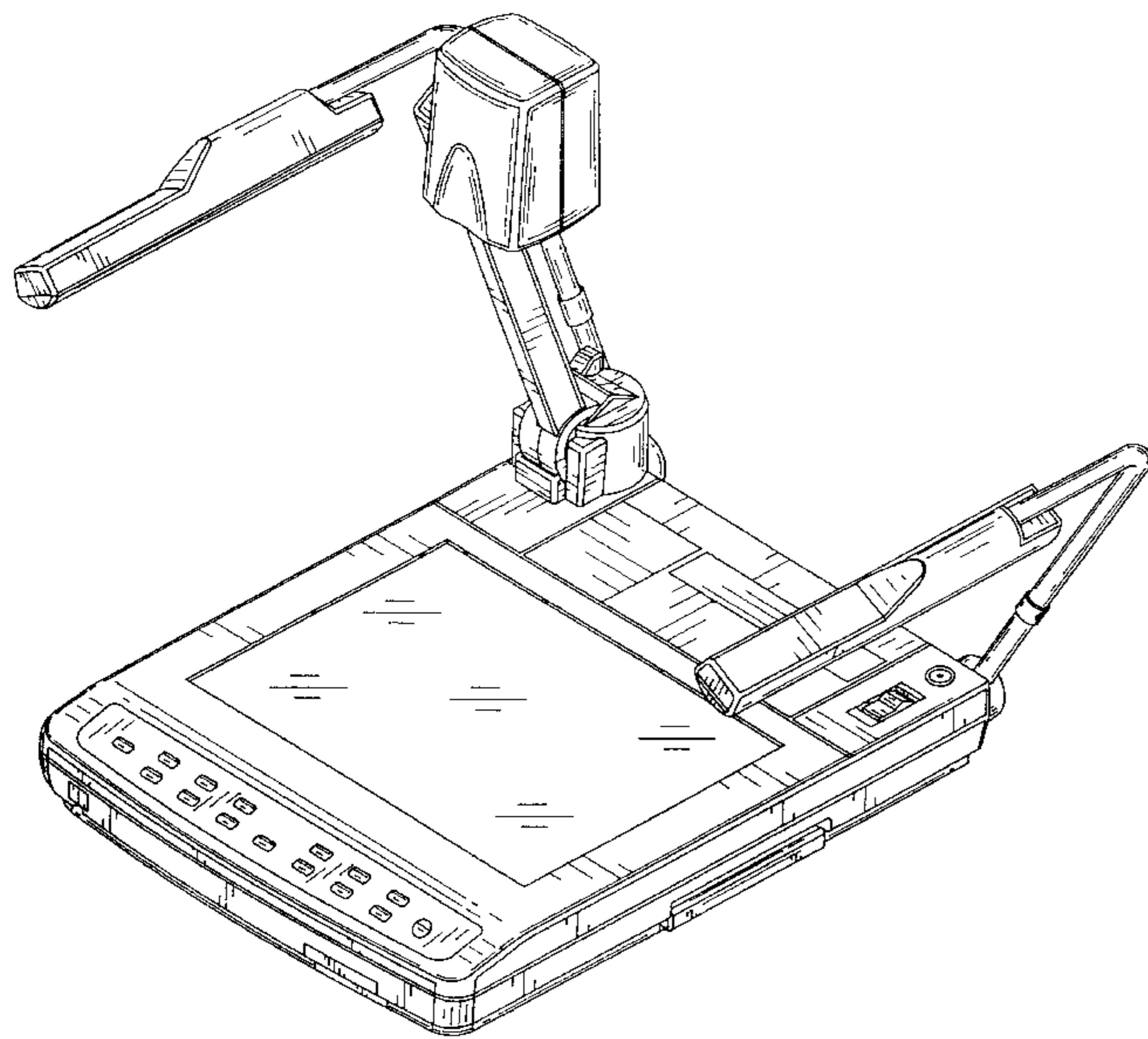
[57] **CLAIM**

The ornamental design for an image pickup apparatus, as shown and described.

DESCRIPTION

FIG. 1 is a front elevational view of an image apparatus showing our new design; FIG. 2 is a rear elevational view thereof; FIG. 3 is a top plan view thereof; FIG. 4 is a bottom plan view thereof; FIG. 5 is a right side elevational view thereof; FIG. 6 is a left side elevational view thereof; and FIG. 7 is a perspective view taken from the front, top and right side of the image pickup apparatus; and, FIG. 8 is an explanatory perspective view taken from the front, top and right side of the image pickup apparatus folded up.

1 Claim, 8 Drawing Sheets



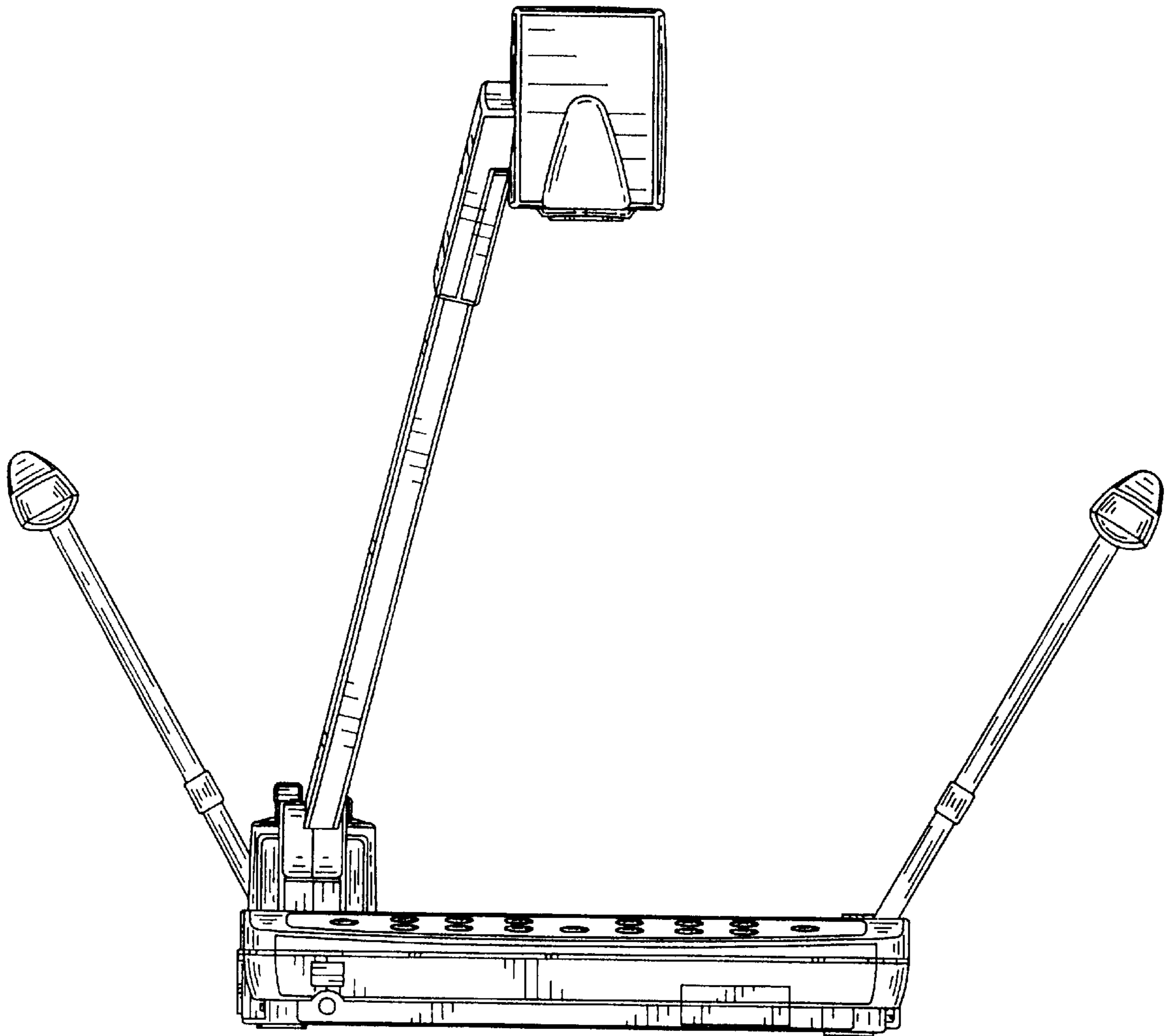


FIG. 1

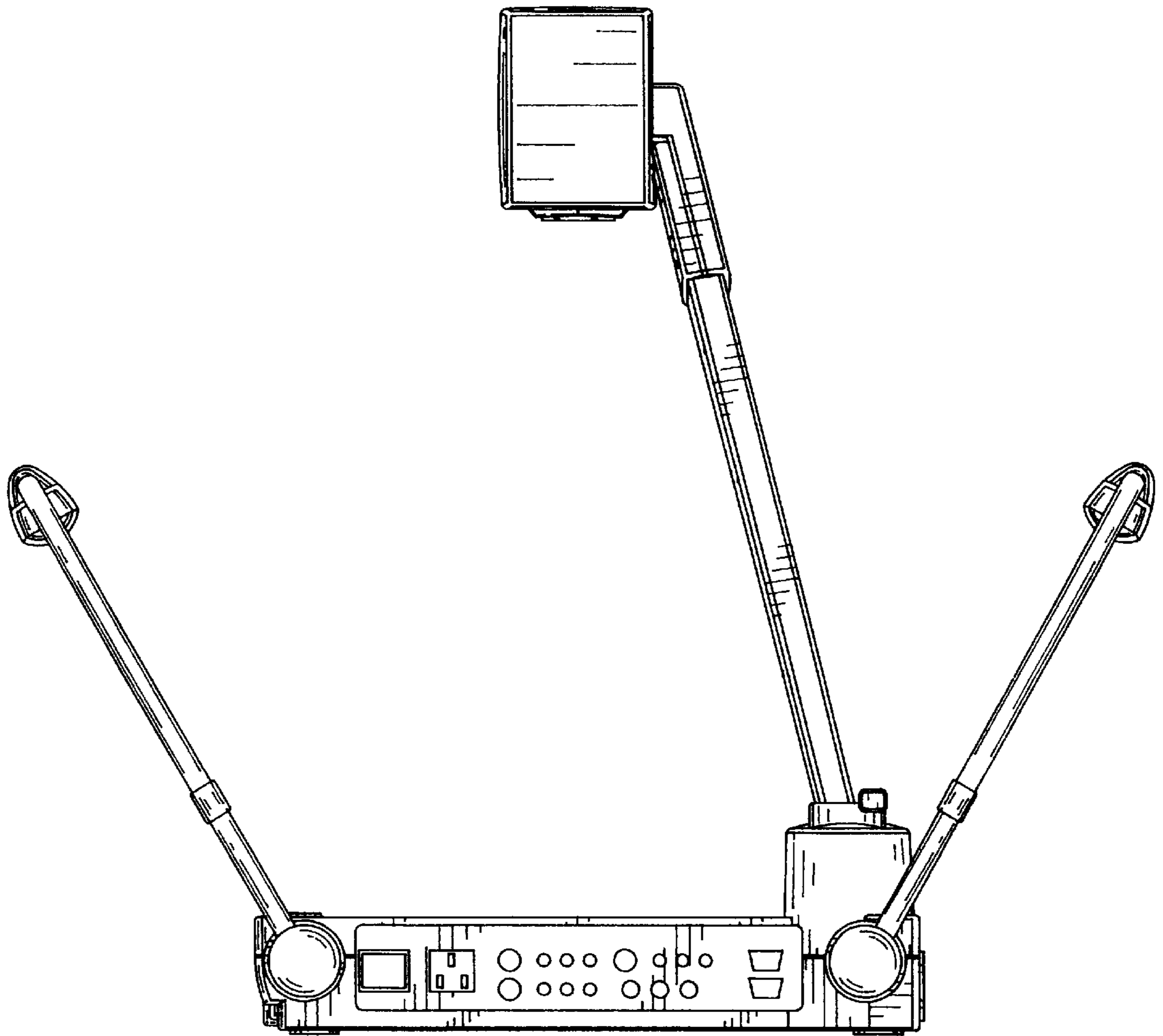


FIG. 2

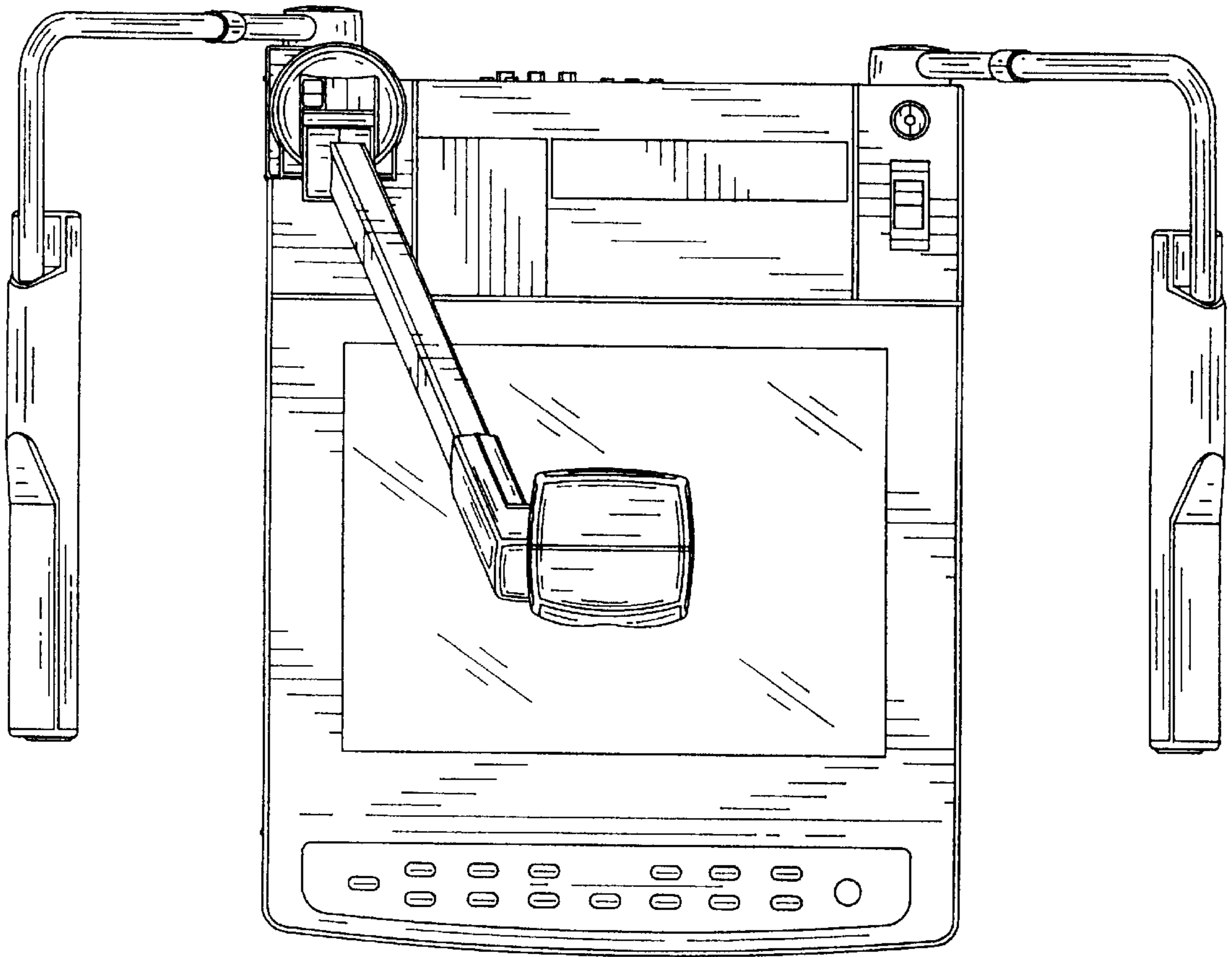


FIG. 3

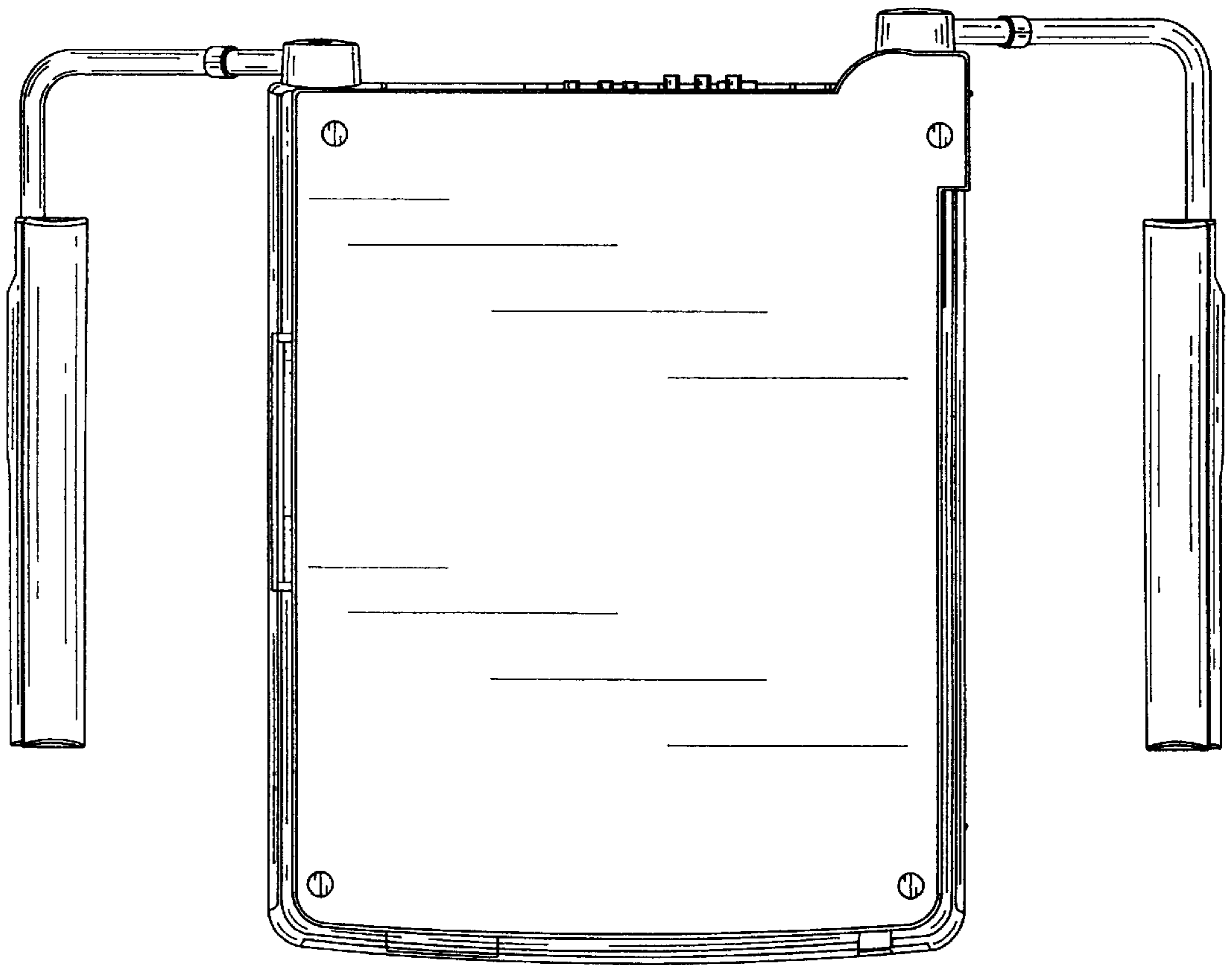


FIG. 4

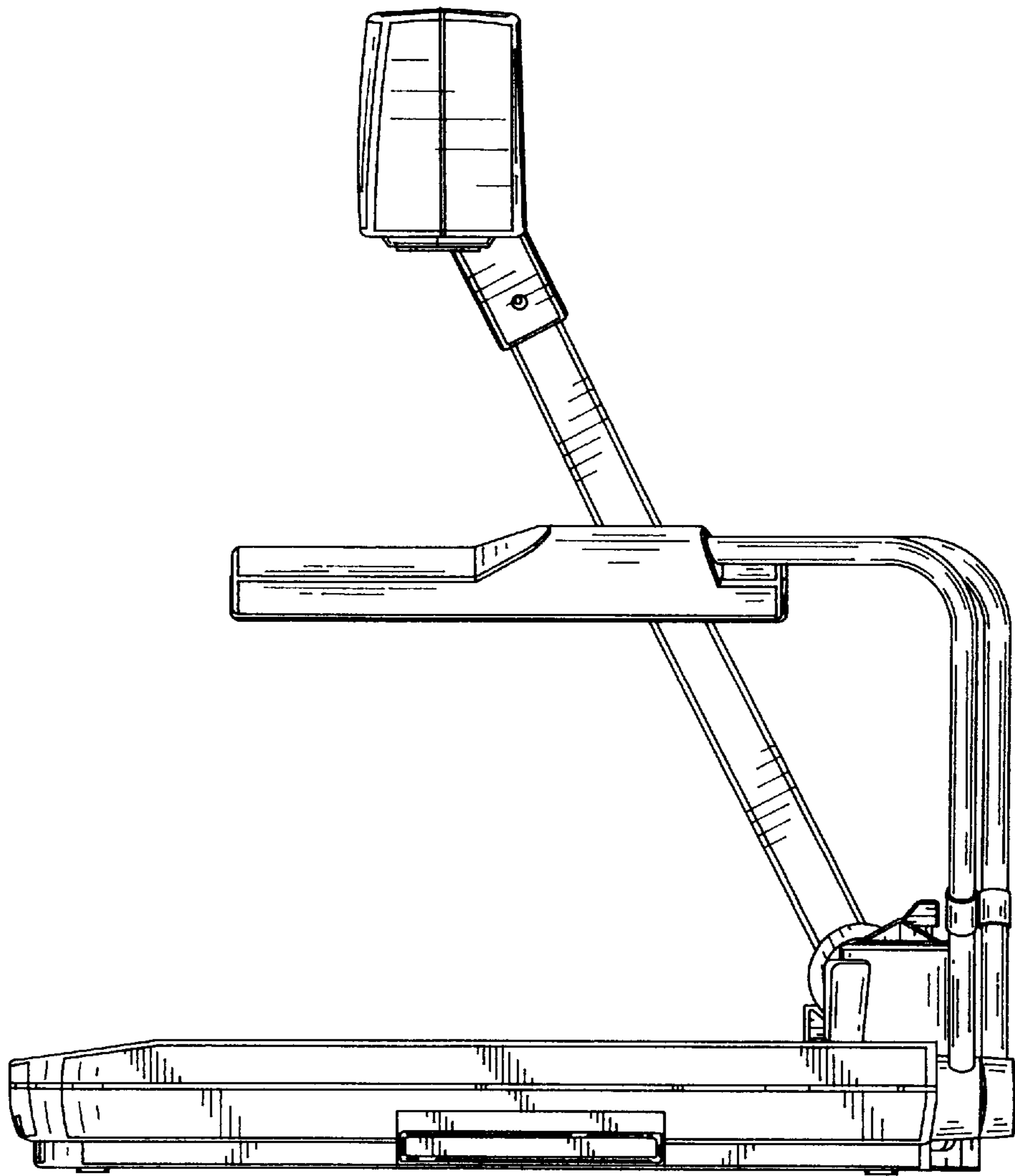


FIG. 5

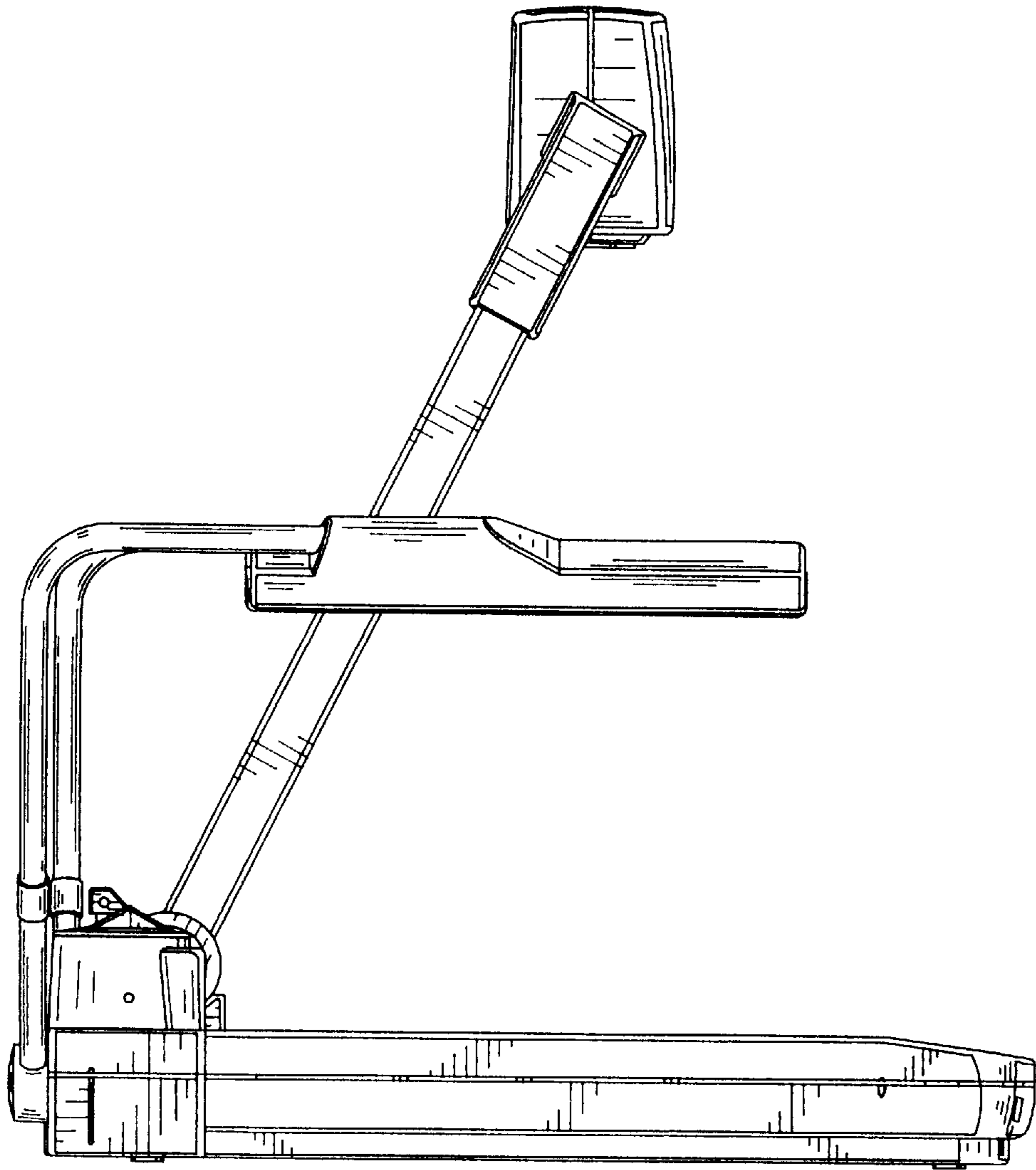


FIG. 6

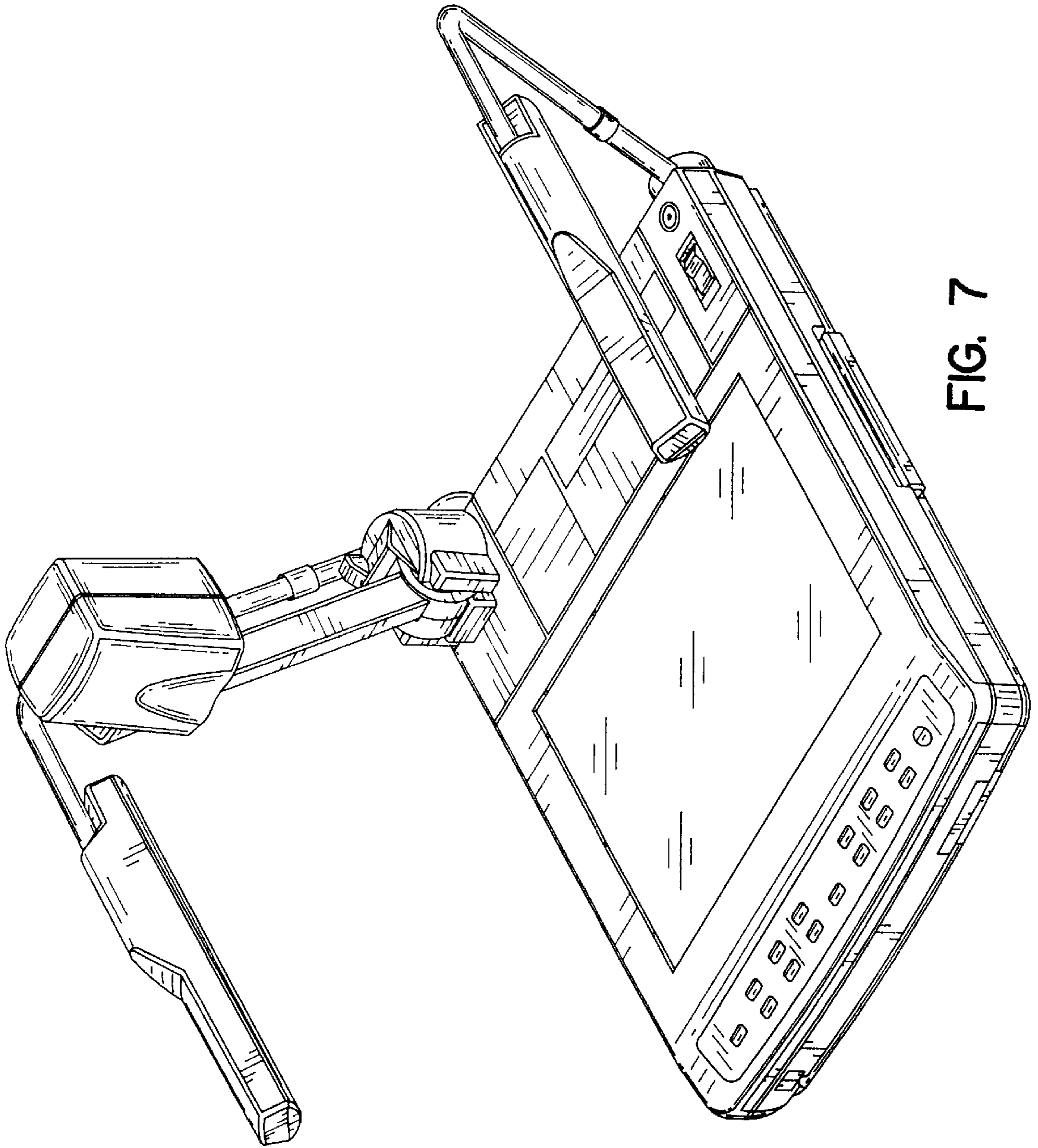


FIG. 7

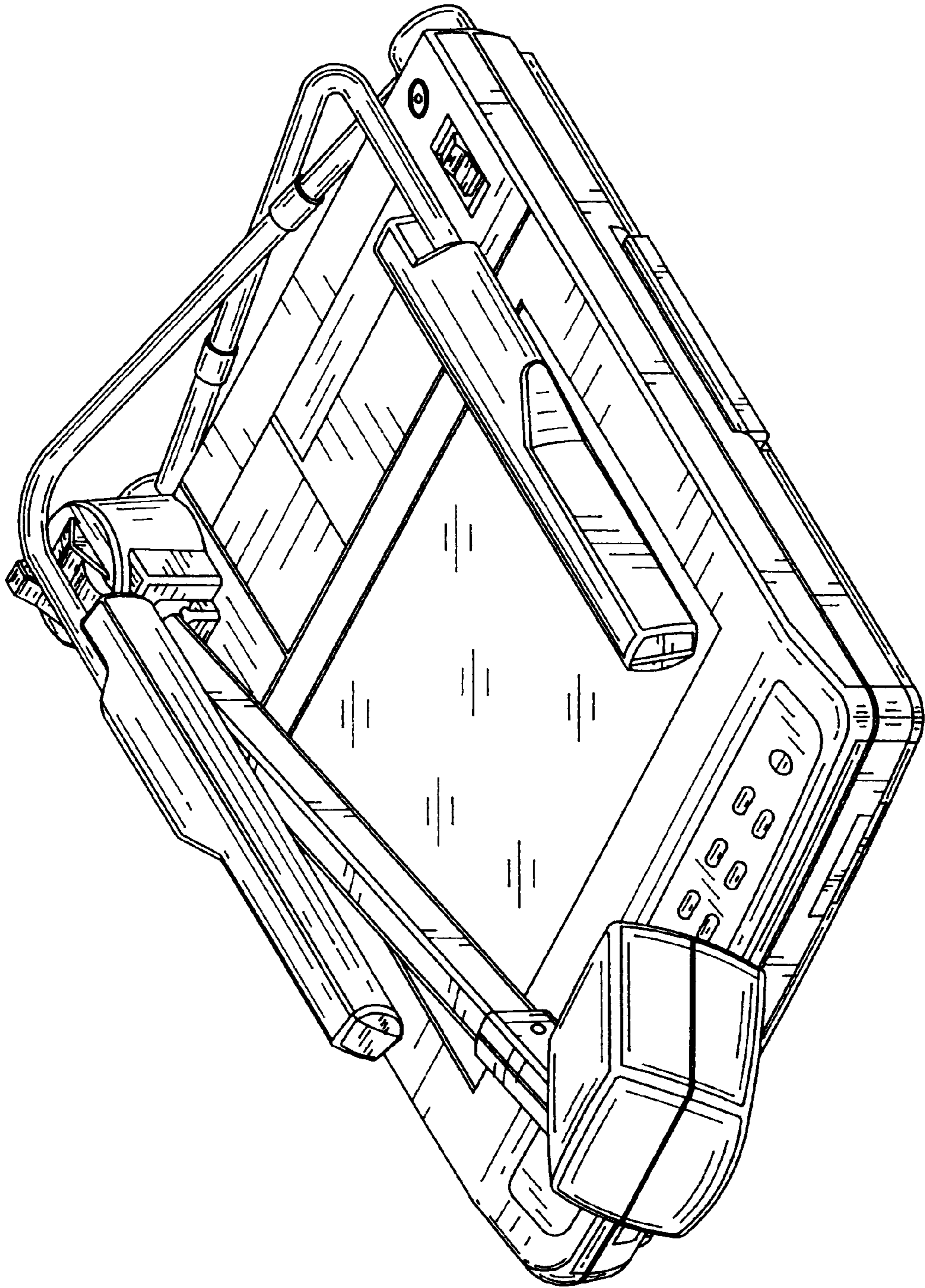


FIG. 8