



US00D433679S

United States Patent [19]

Bradley et al.

[11] Patent Number: **Des. 433,679**

[45] Date of Patent: **** Nov. 14, 2000**

[54] **TERMINAL APPARATUS**

[75] Inventors: **Paul Eugene Bradley**, Woodside;
Marcus Diebal, San Francisco, both of Calif.

[73] Assignee: **StreetSpace, Inc.**, San Francisco, Calif.

[**] Term: **14 Years**

[21] Appl. No.: **29/111,091**

[22] Filed: **Sep. 22, 1999**

[51] **LOC (7) Cl.** **14-02**

[52] **U.S. Cl.** **D14/305**

[58] **Field of Search** D14/304, 305;
D13/184, 199, 163; D6/422; 312/223.2;
361/682

[56] **References Cited**

U.S. PATENT DOCUMENTS

D. 195,840 8/1963 Fay D13/184
D. 330,544 10/1992 Kane D14/305

D. 346,586 5/1994 Miyake et al. D14/305 X
D. 375,726 11/1996 Witte D14/305
D. 392,261 3/1998 Kodimer D14/305

Primary Examiner—Freda Nunn
Attorney, Agent, or Firm—Howrey Simon Arnold & White, LLP

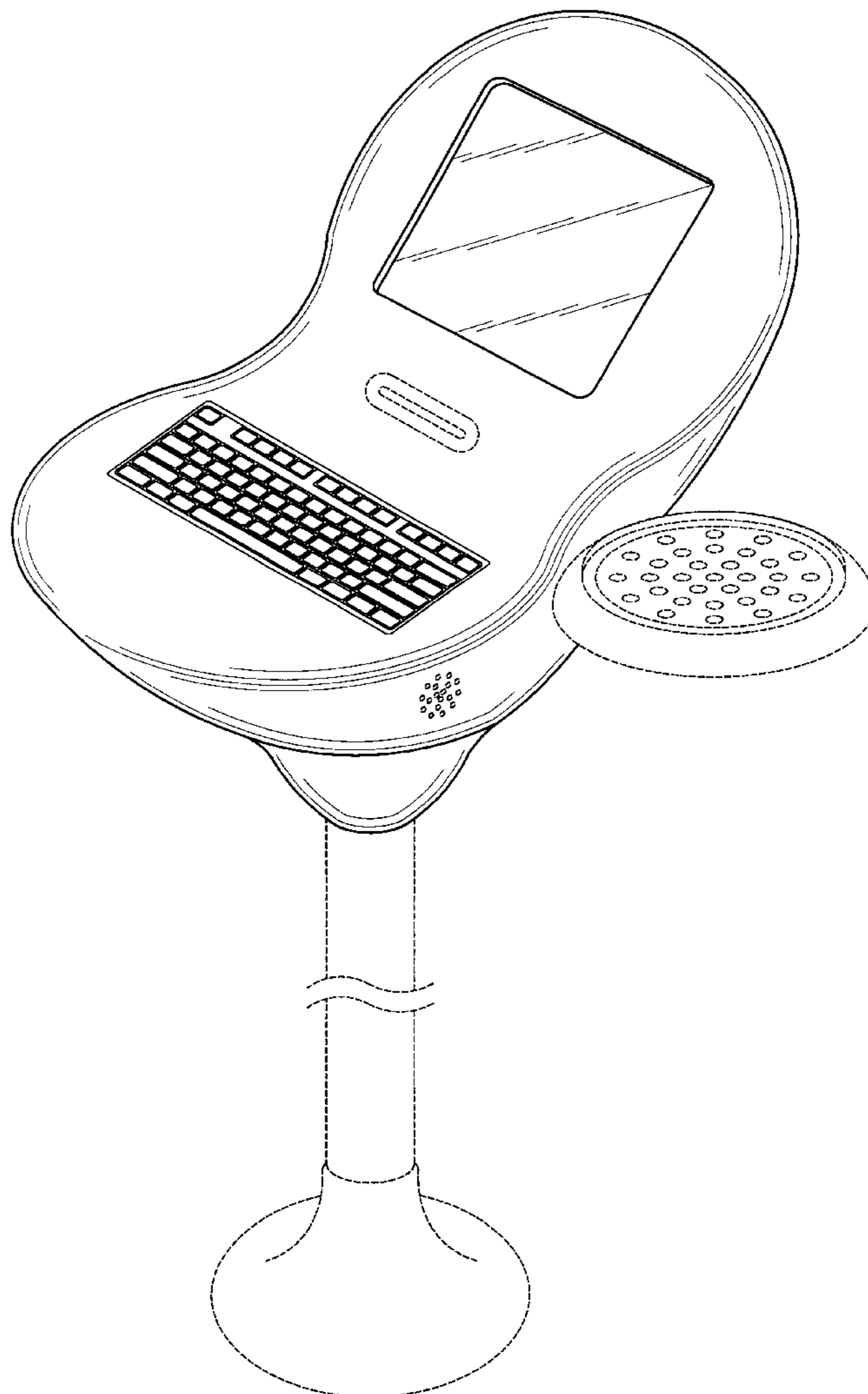
[57] **CLAIM**

The ornamental design for a terminal apparatus, as shown and described.

DESCRIPTION

FIG. 1 is a top perspective view of a terminal apparatus embodying the invention;
FIG. 2 is a front elevational view thereof;
FIG. 3 is a rear elevational view thereof;
FIG. 4 is a top plan view thereof;
FIG. 5 is a right side elevational view thereof; and,
FIG. 6 is a left side elevational view thereof.
The dashed lines in FIGS. 1–6 are to illustrate environment only and form no part of the claimed design.

1 Claim, 6 Drawing Sheets



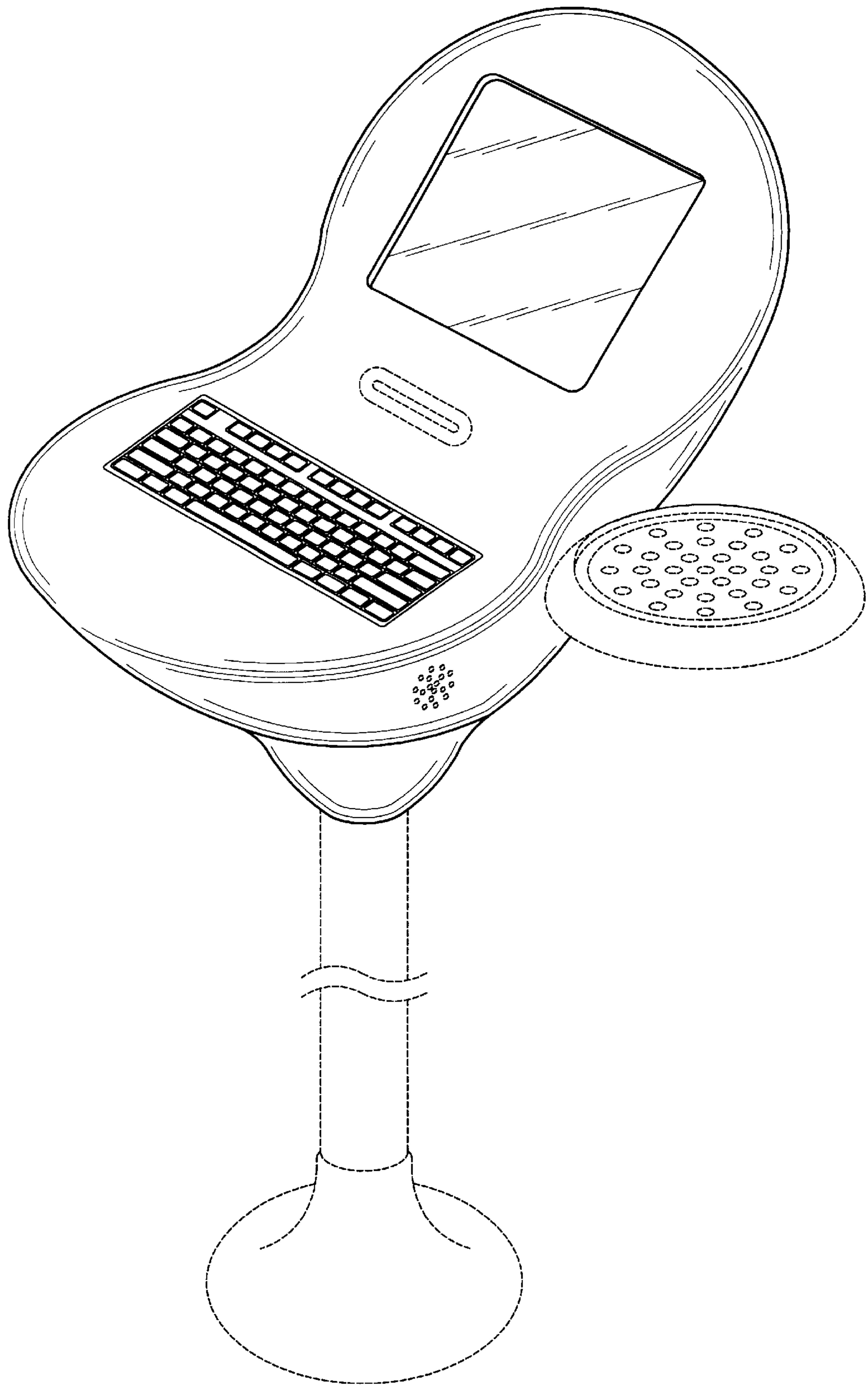


FIG. 1

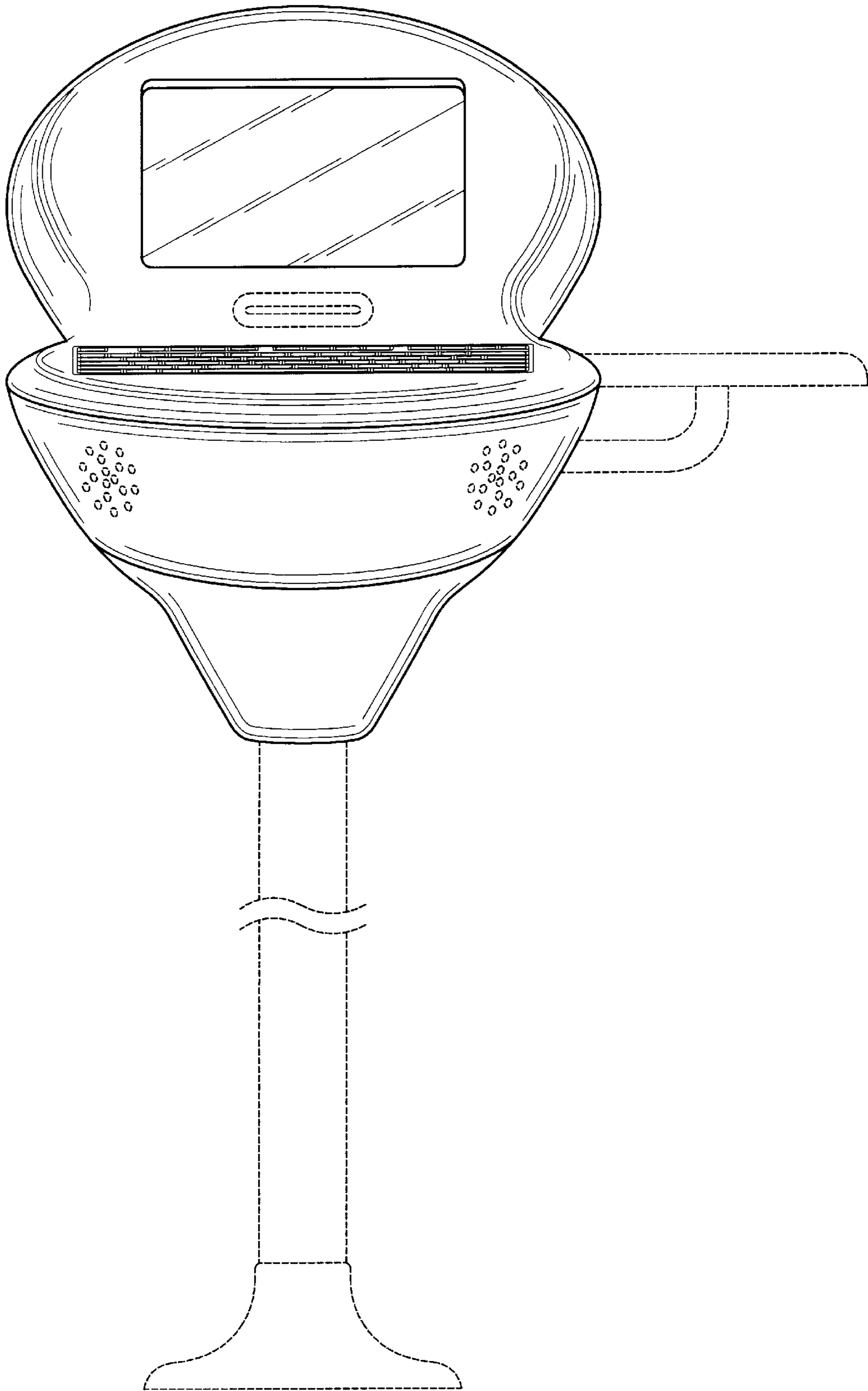


FIG. 2

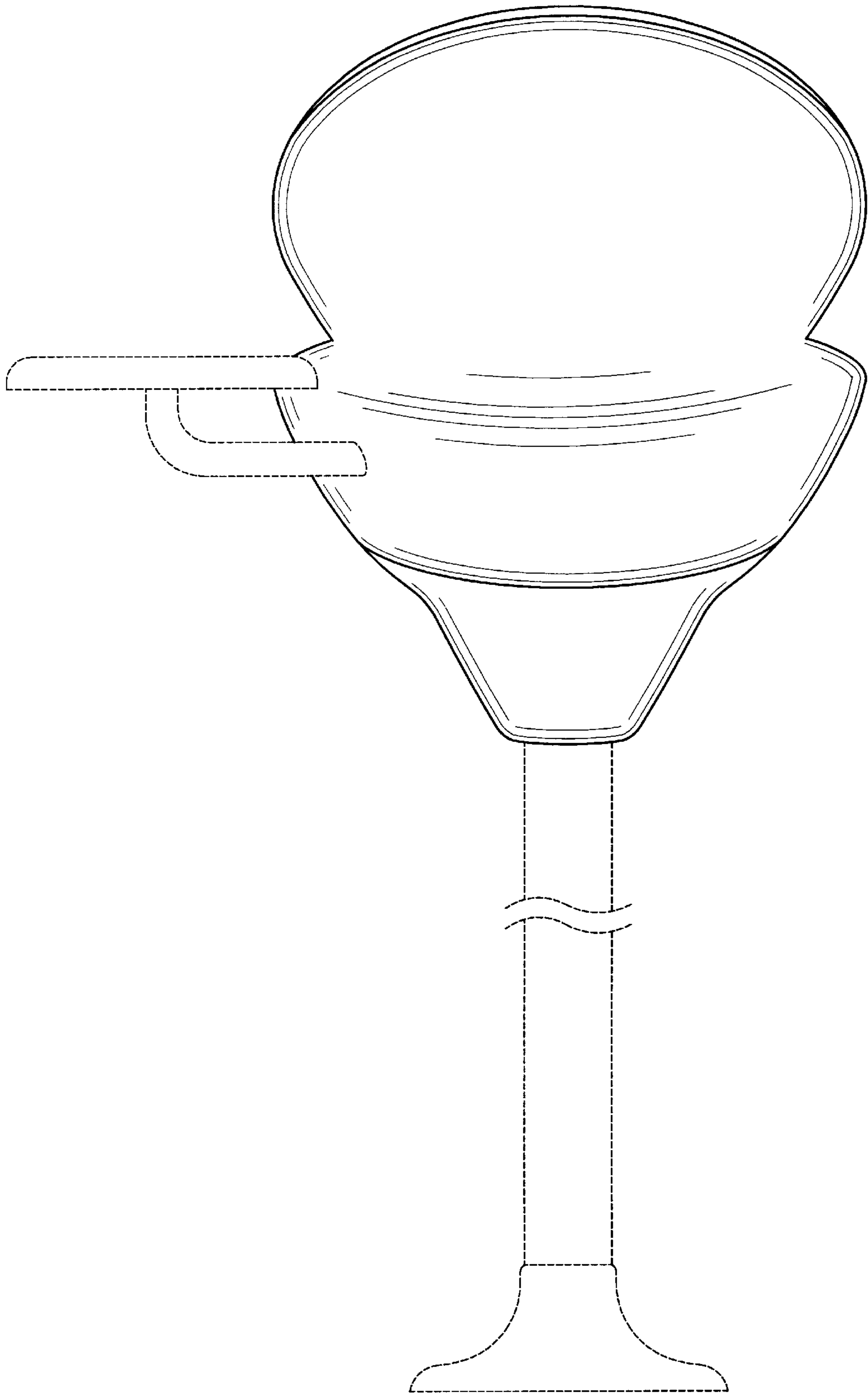


FIG. 3

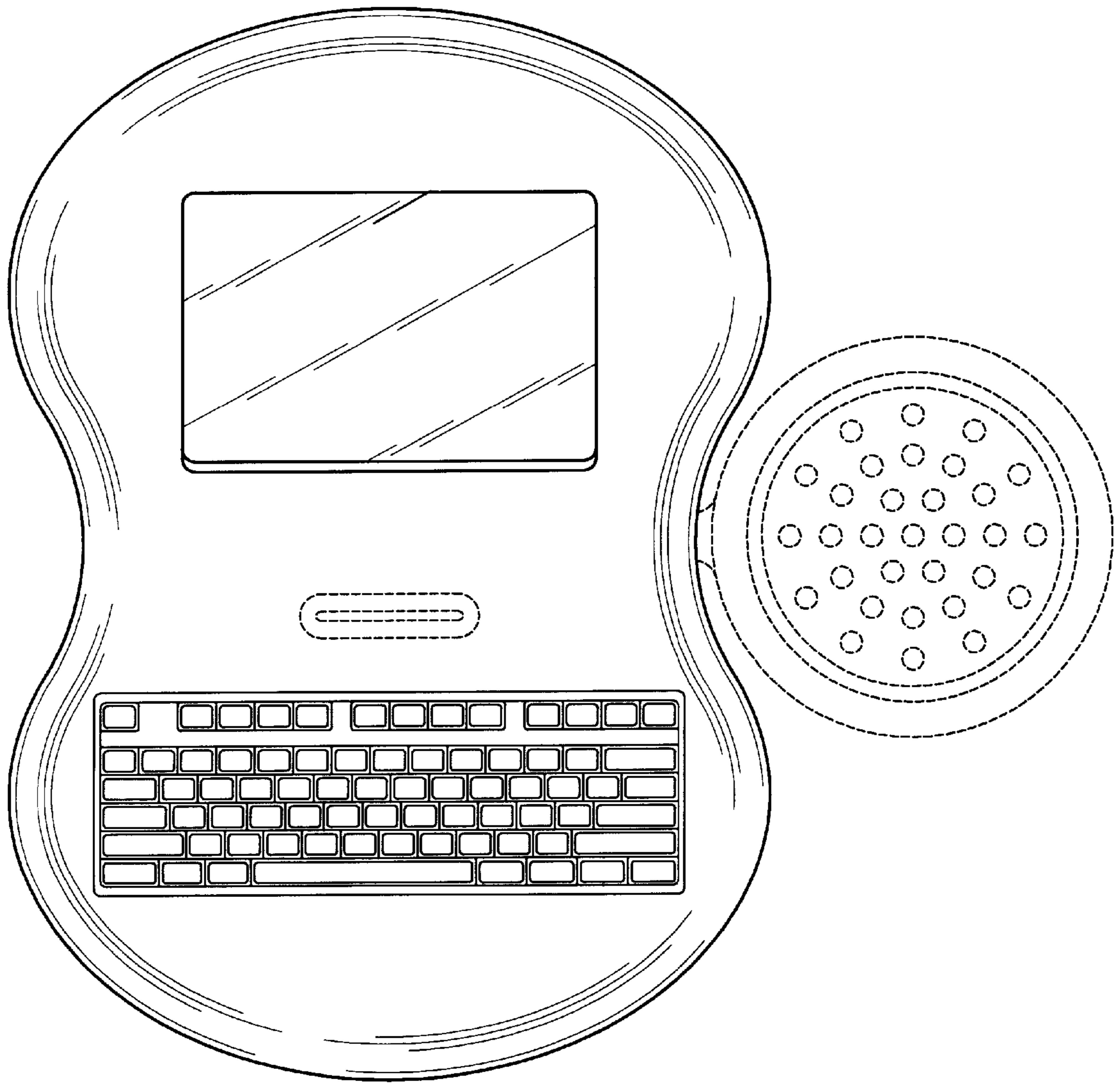


FIG. 4

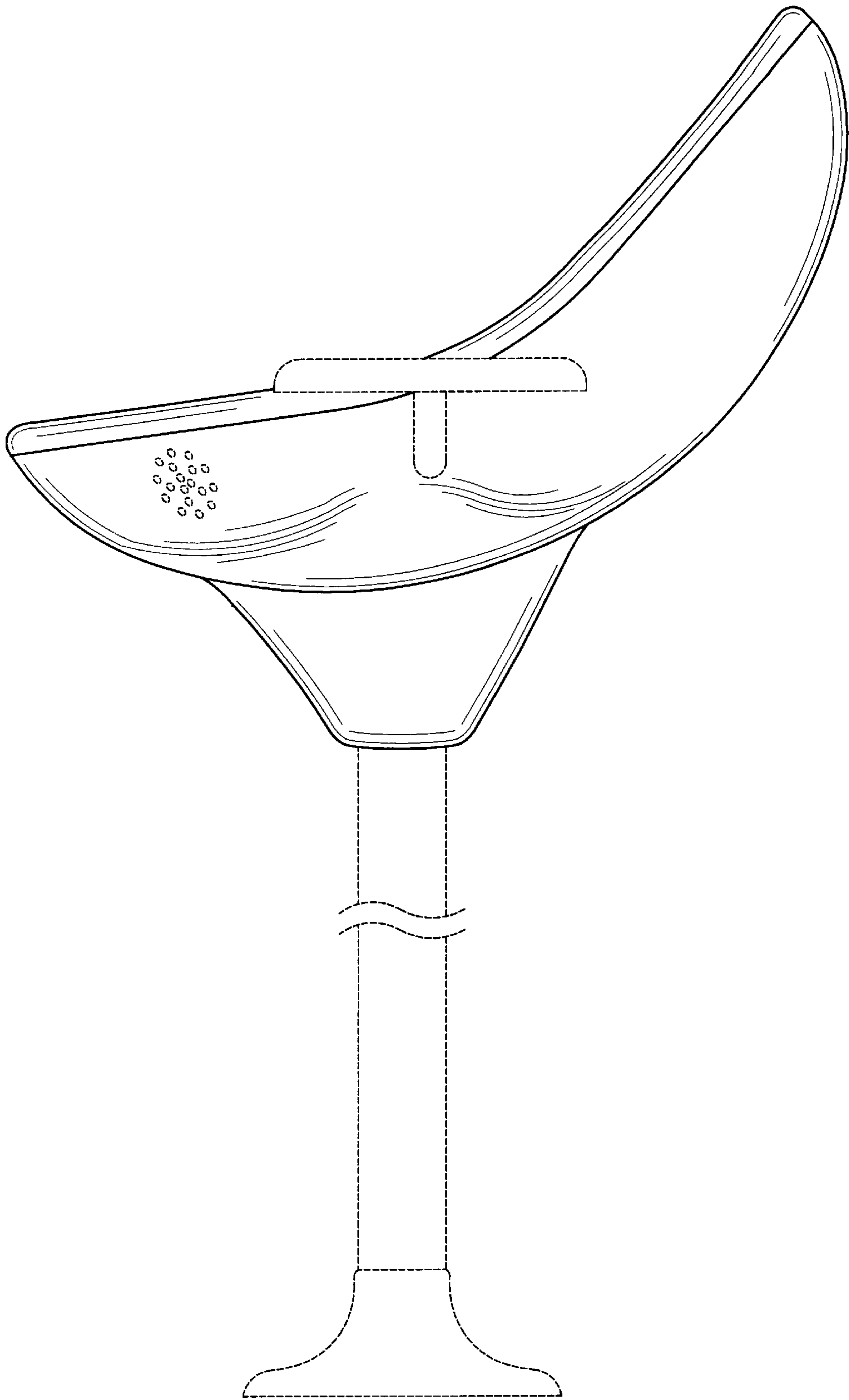


FIG. 5

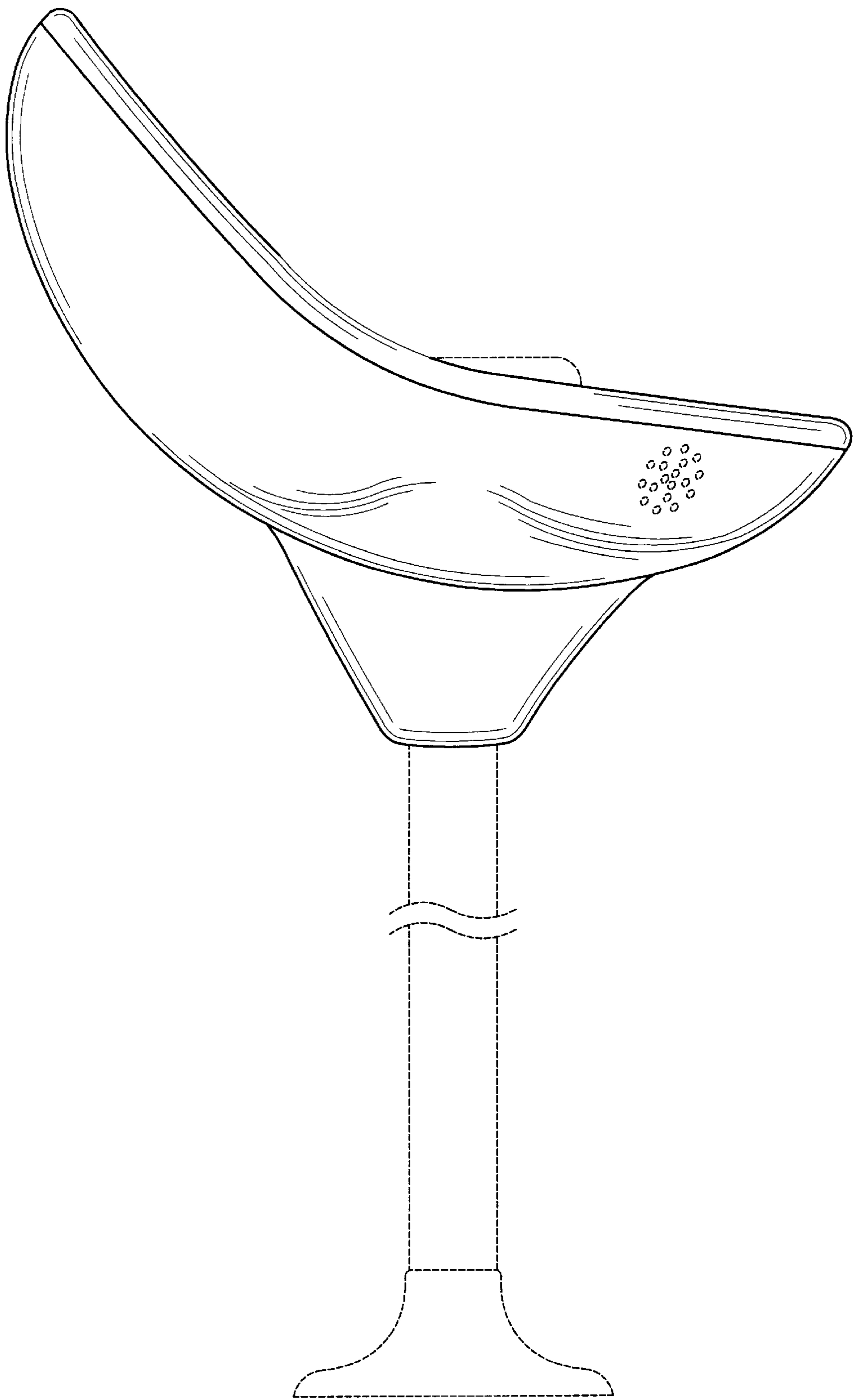


FIG. 6