



US00D433676S

United States Patent [19]

Yamada et al.

[11] Patent Number: Des. 433,676

[45] Date of Patent: ** Nov. 14, 2000

[54] DRIVE UNIT FOR AN OPTICAL DISC PLAYER OR RECORDER

[75] Inventors: **Katsuhiko Yamada; Tetsuhiro Shiomi**, both of Tokyo; **Tomoaki Morishita; Kazuhiko Mori**, both of Shizuoka, all of Japan

[73] Assignee: **Sony Corporation**, Japan

[**] Term: **14 Years**

[21] Appl. No.: **29/095,436**

[22] Filed: **Oct. 23, 1998**

[30] Foreign Application Priority Data

Apr. 24, 1998 [JP] Japan 10-11749

[51] LOC (7) Cl. **14-03**

[52] U.S. Cl. **D14/239**

[58] Field of Search D14/217, 239, D14/260; 360/99.08, 99.09, 99.11

[56] References Cited

U.S. PATENT DOCUMENTS

4,887,175 12/1989 Hoshi 360/99.08

OTHER PUBLICATIONS

Catalog; "Optical Device"; Sony; Sep. 1992; pp. 6, 16 & 20.

Primary Examiner—Richelle Shelton
Attorney, Agent, or Firm—Rader, Fishman&Grauer

[57] CLAIM

The ornamental design for a drive unit for an optical disc player or recorder, as shown and described.

DESCRIPTION

FIG. 1 is a perspective view of a drive unit for an optical disc player or recorder showing our new design;
FIG. 2 is a reduced top plan view of the drive unit for an optical disc player or recorder;
FIG. 3 is a left side elevational view thereof;
FIG. 4 is a front elevational view thereof;
FIG. 5 is a bottom plan view thereof;
FIG. 6 is a right side elevational view thereof; and,
FIG. 7 is a rear elevational view thereof.

1 Claim, 4 Drawing Sheets

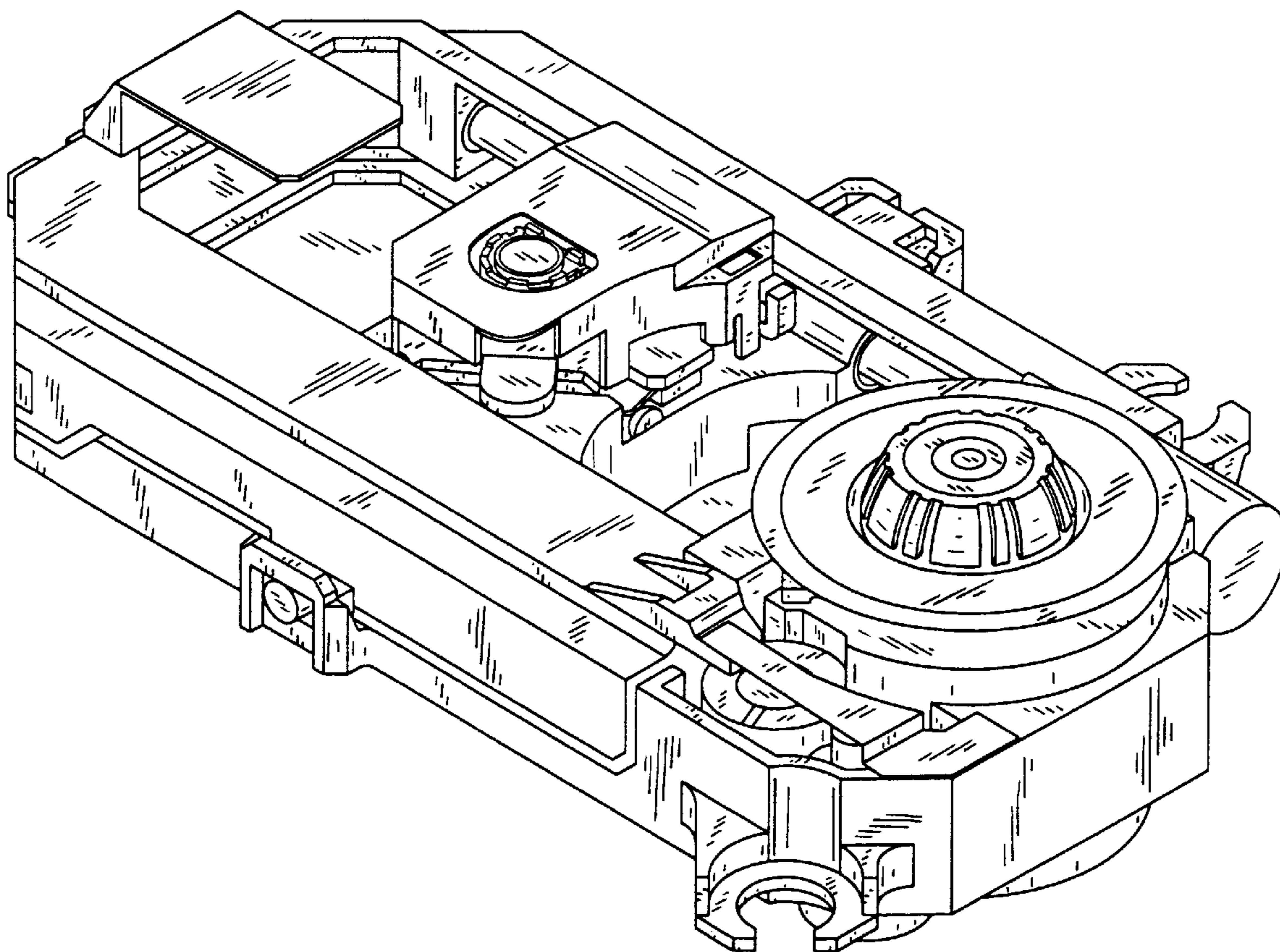


FIG. 1

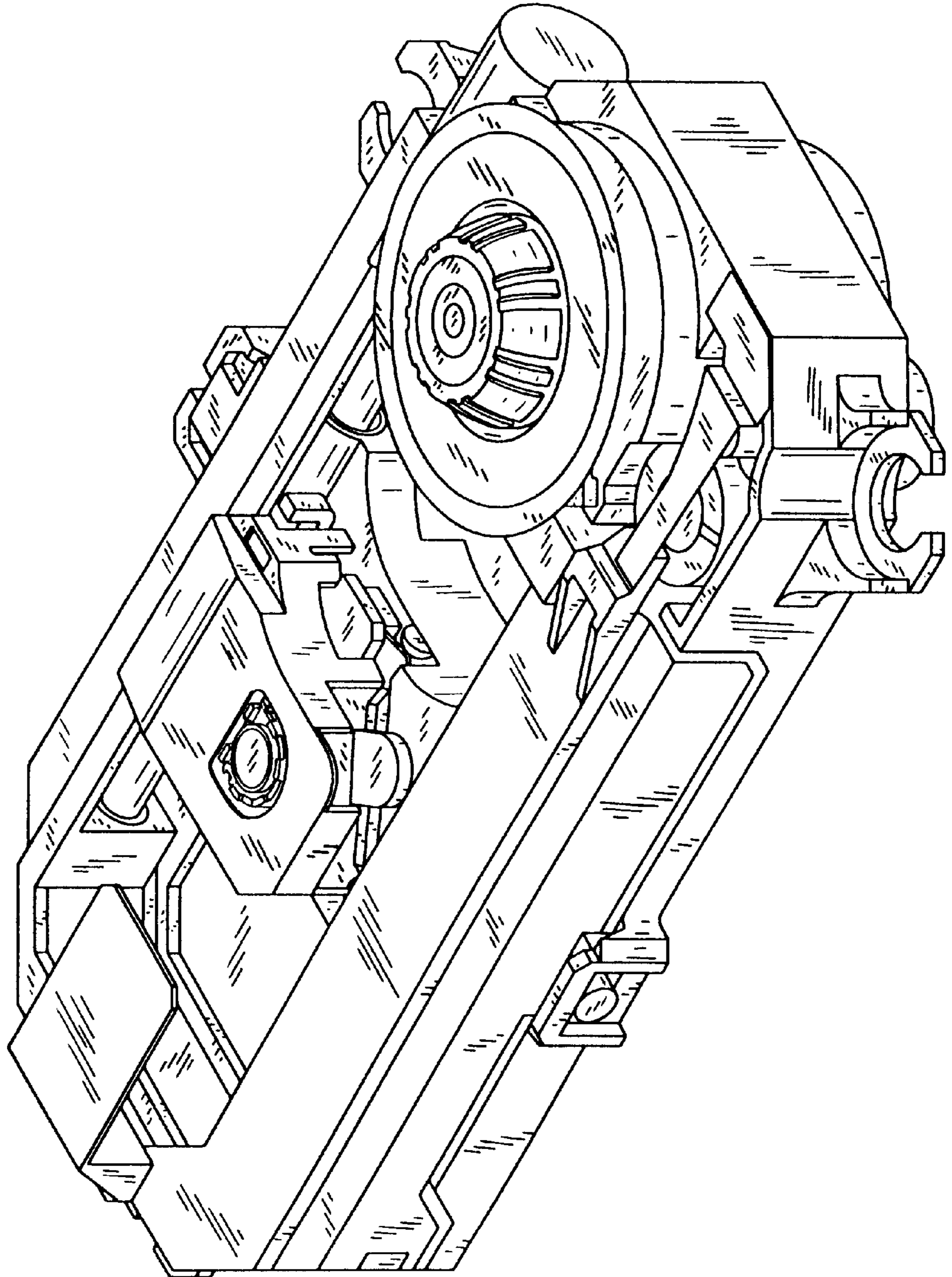


FIG. 2

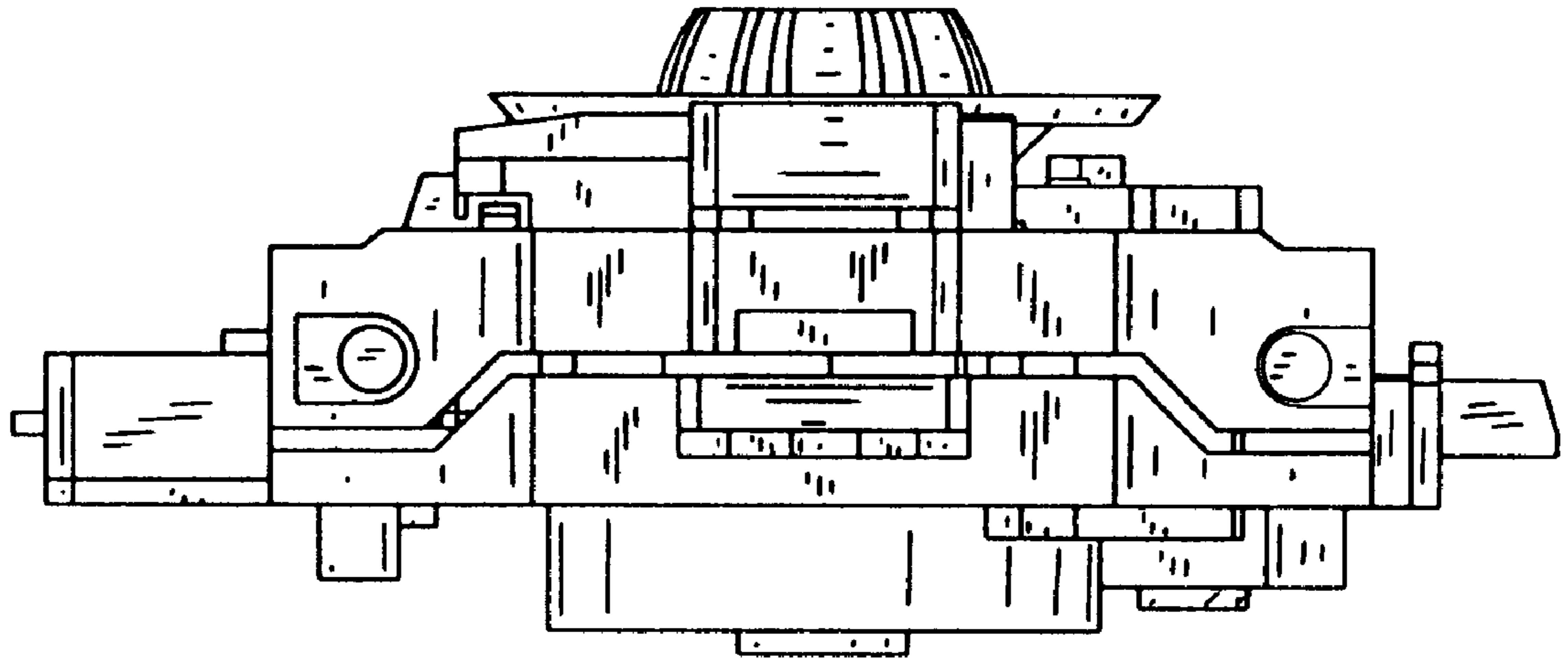


FIG. 5

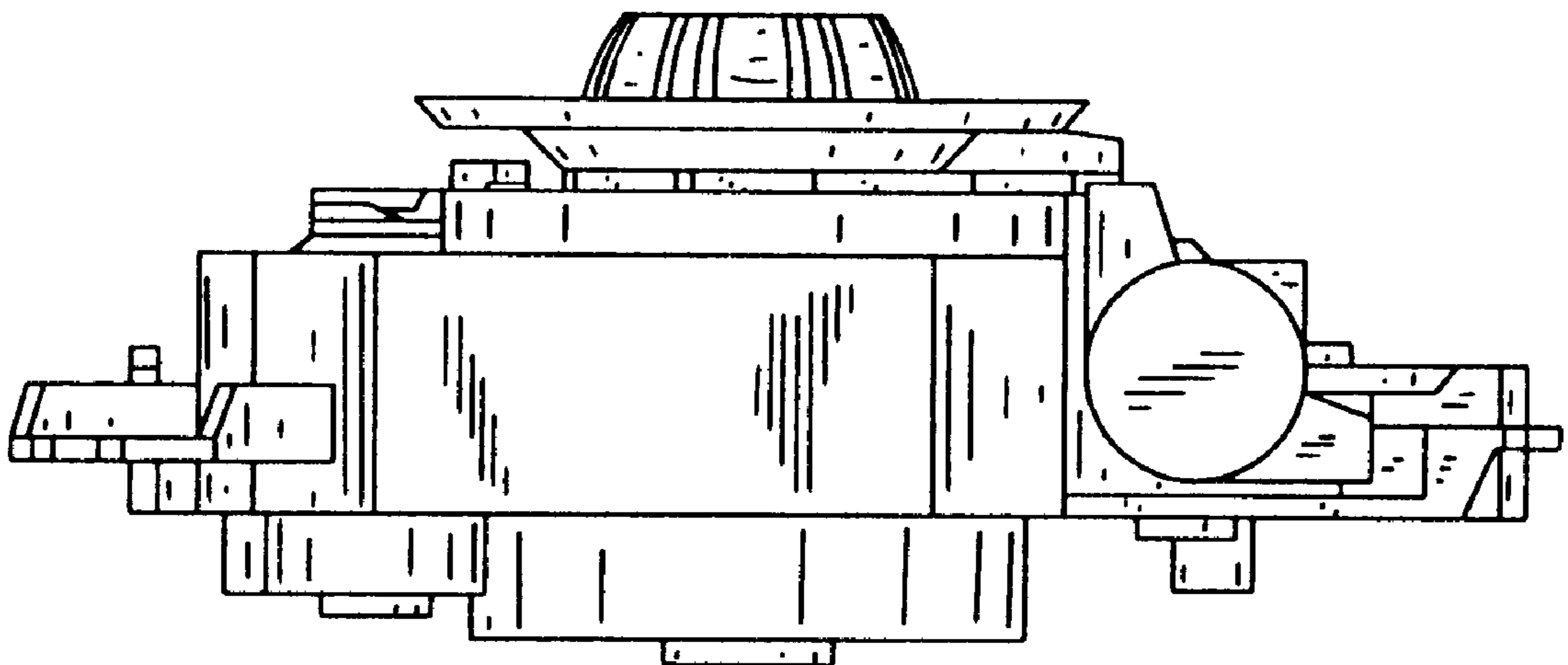


FIG. 4

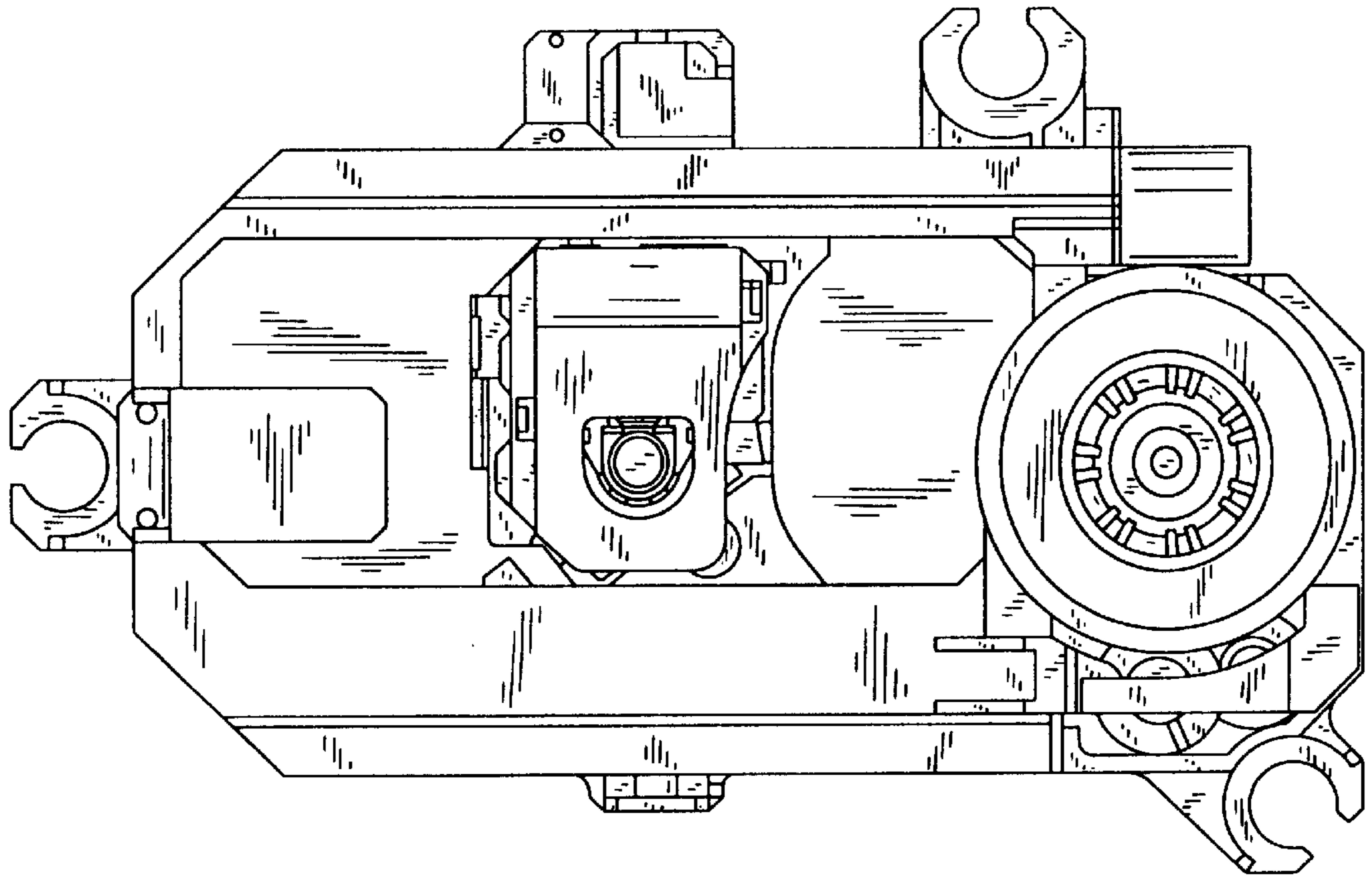


FIG. 3

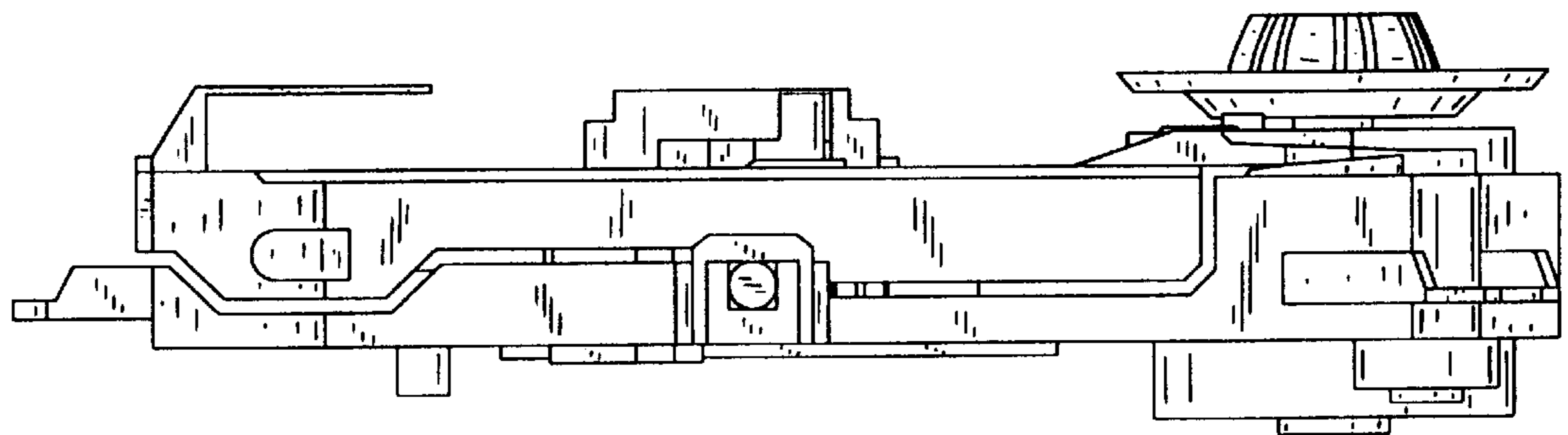


FIG. 7

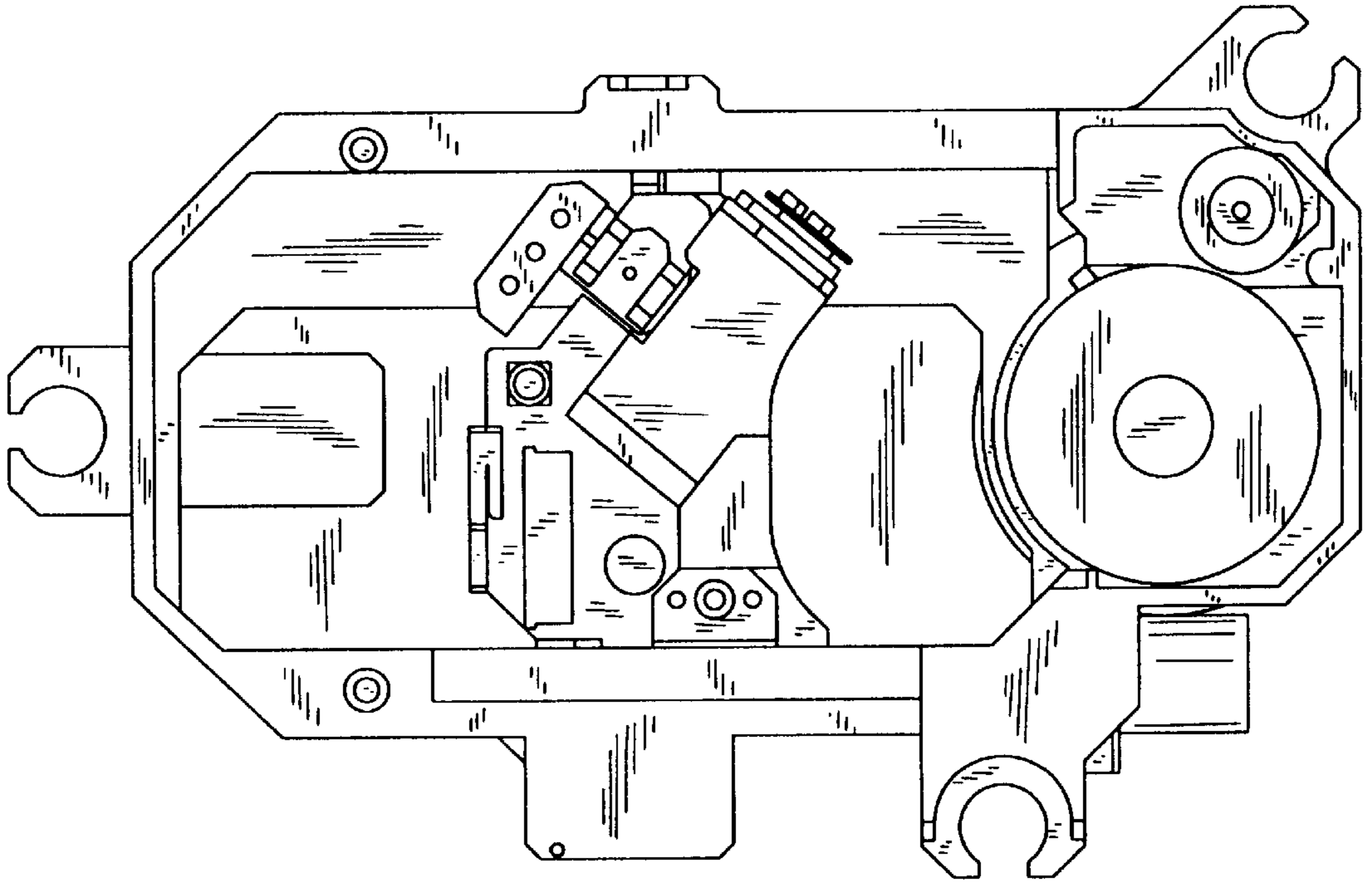


FIG. 6

