



US00D433674S

United States Patent [19]
Buckley

[11] **Patent Number: Des. 433,674**

[45] **Date of Patent: ** Nov. 14, 2000**

[54] **R/C CONTROLLER**

[75] Inventor: **James Buckley**, New Hartford, Conn.

[73] Assignee: **Geoffrey, Inc.**, Wilmington, Del.

[**] Term: **14 Years**

[21] Appl. No.: **29/109,901**

[22] Filed: **Aug. 25, 1999**

[51] **LOC (7) Cl.** **14-03**

[52] **U.S. Cl.** **D14/218**

[58] **Field of Search** D14/218, 155;
D21/566; 446/454, 455, 456

[56] **References Cited**

U.S. PATENT DOCUMENTS

D. 322,103 12/1991 Kohno D21/566

D. 322,297 12/1991 Kohno D21/566

D. 342,297 12/1993 Kouno D21/566
D. 344,553 2/1994 Arai D21/566

Primary Examiner—Louis S. Zarfes
Assistant Examiner—Gregory Andoll
Attorney, Agent, or Firm—Darby & Darby

[57] **CLAIM**

The ornamental design for an R/C controller, as shown and described.

DESCRIPTION

FIG. 1 is a top perspective view of the R/C controller;
FIG. 2 is a top plan view of the R/C controller;
FIG. 3 is a front elevation view of the R/C controller;
FIG. 4 is a rear elevation view of the R/C controller;
FIG. 5 is a right side elevation view of the R/C controller;
FIG. 6 is a left side elevation view of the R/C controller; and,
FIG. 7 is a bottom plan view of the R/C controller.

1 Claim, 5 Drawing Sheets

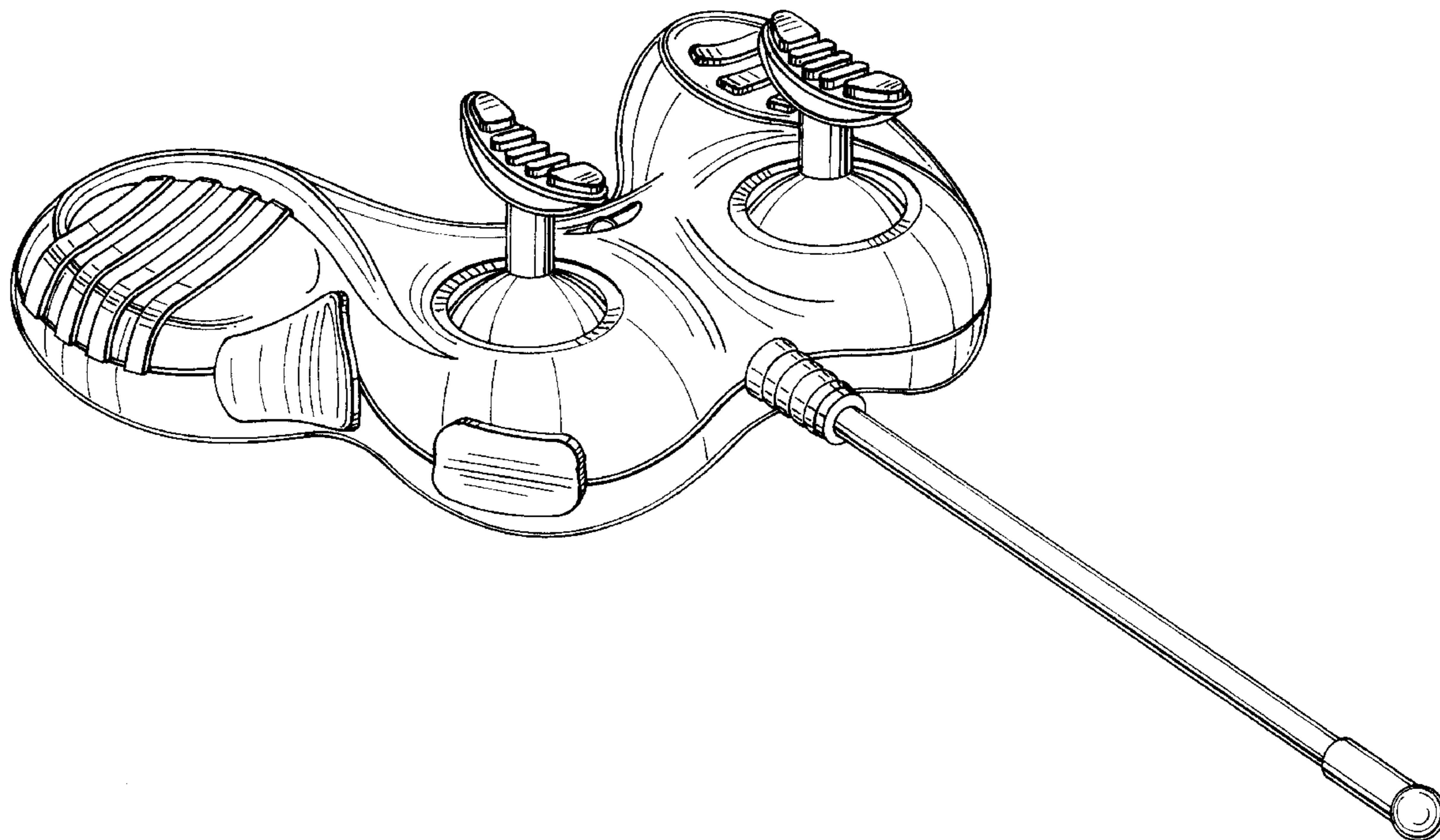


FIG. 1

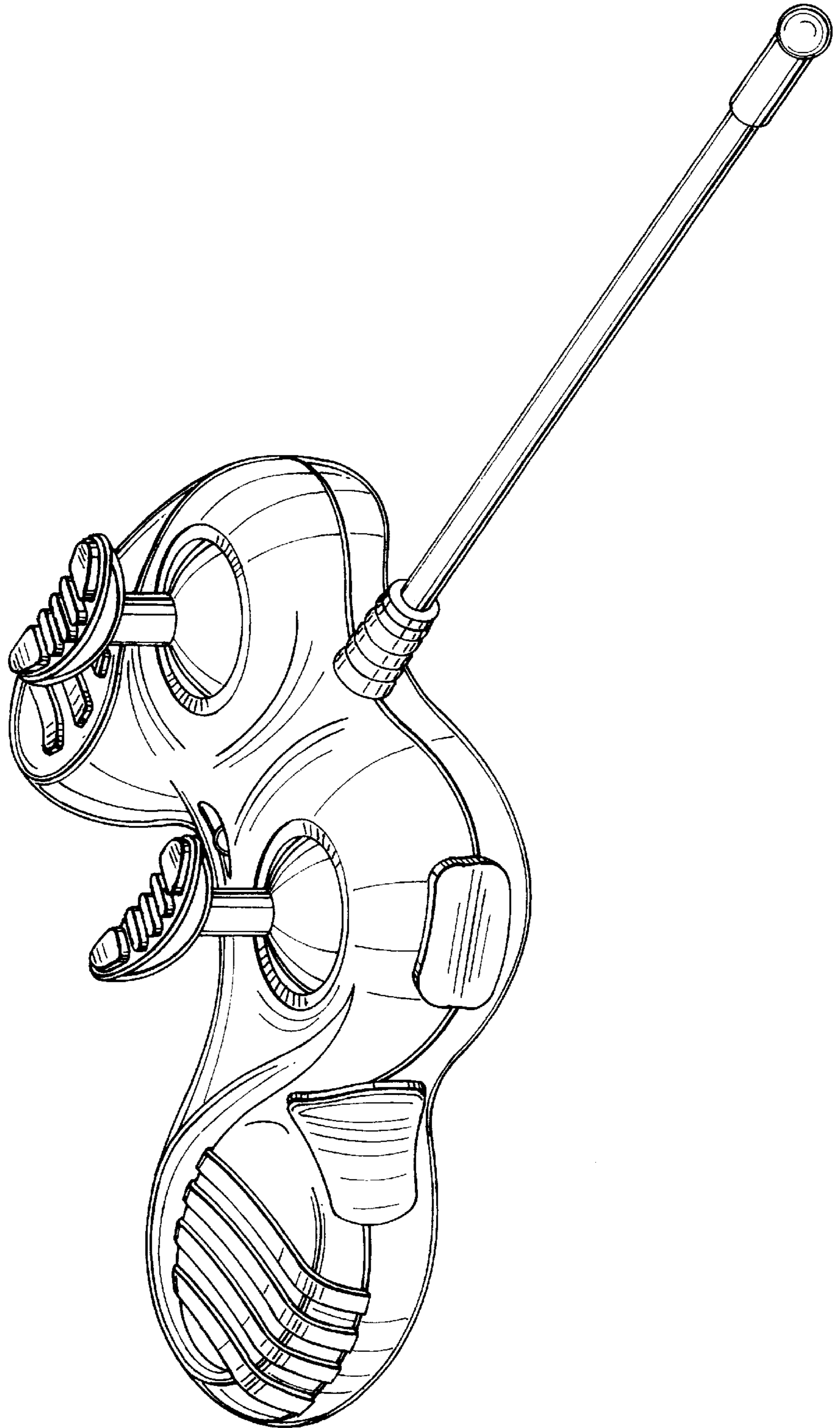


FIG. 2

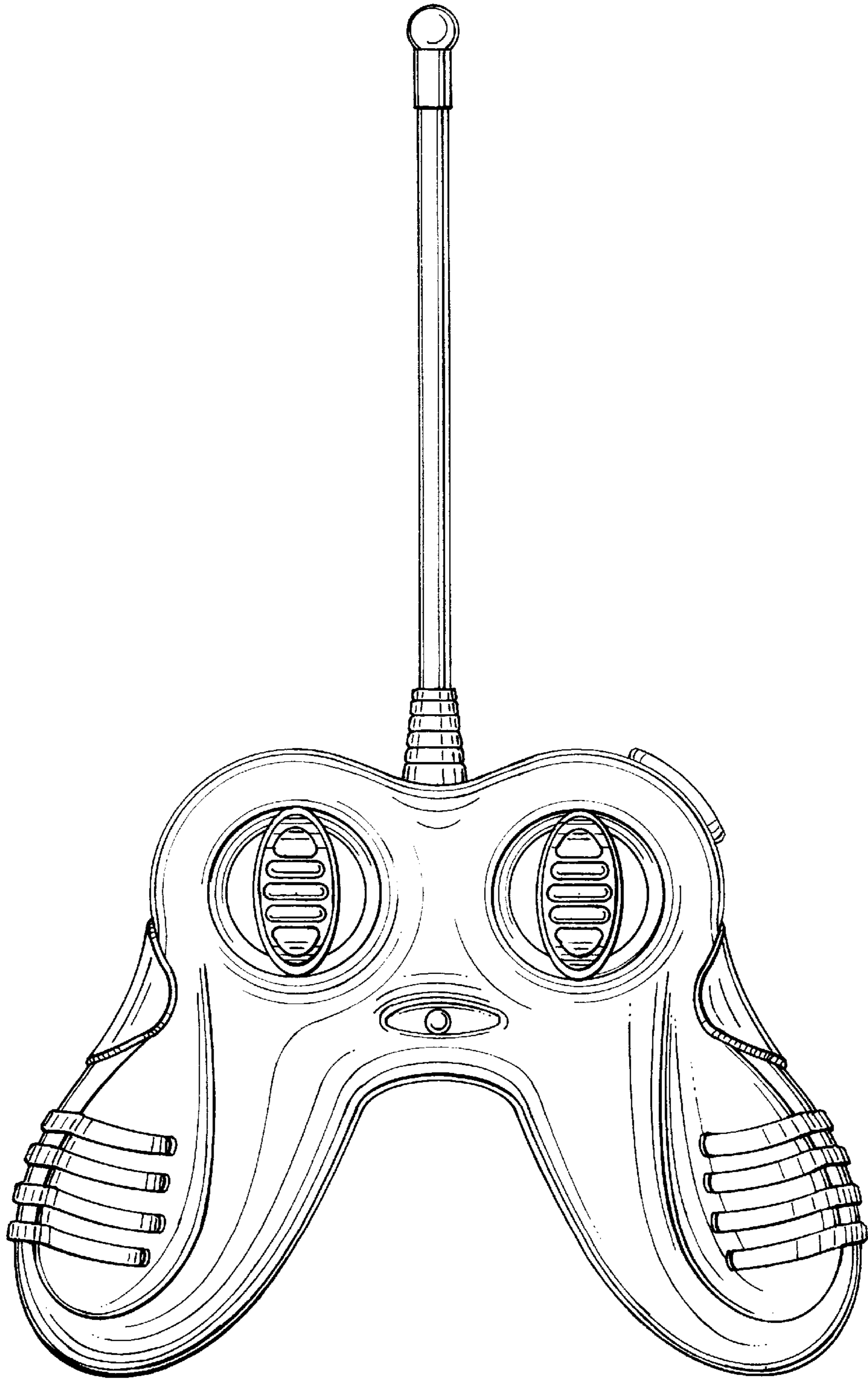


FIG. 3

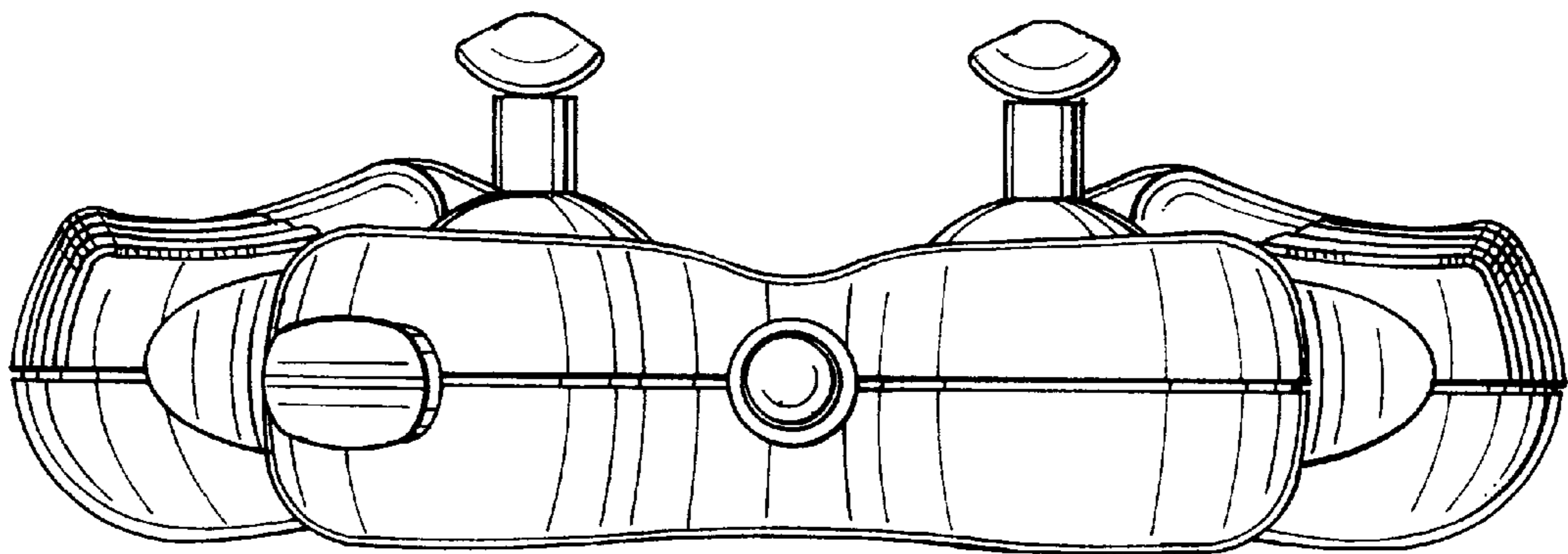


FIG. 4

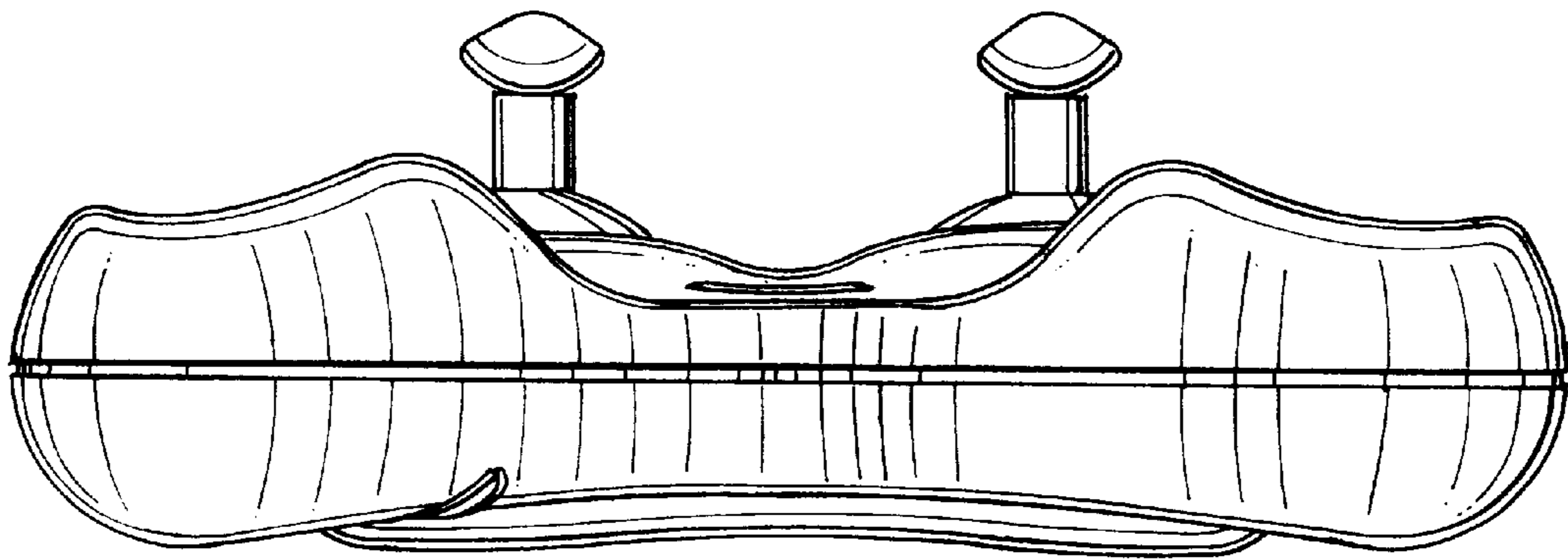


FIG. 5

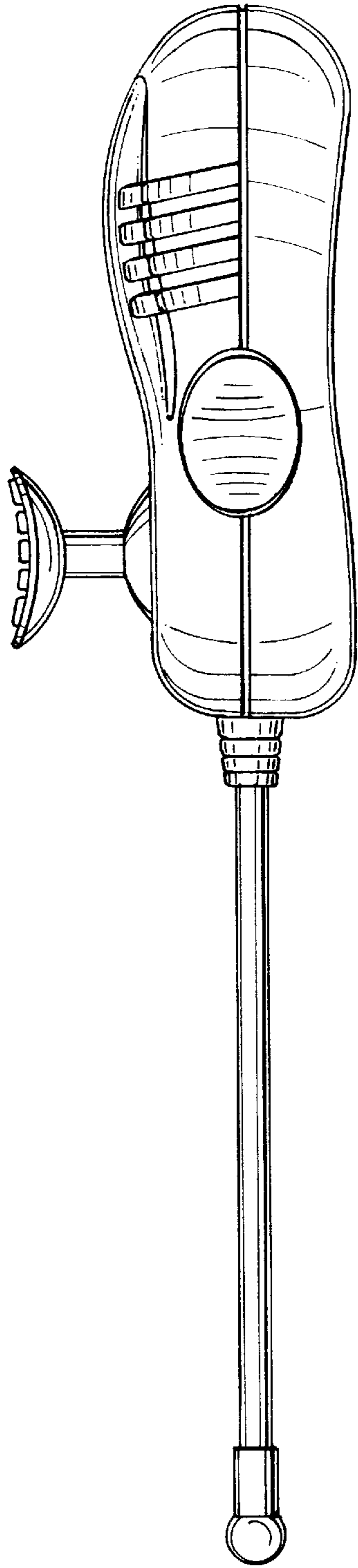


FIG. 6

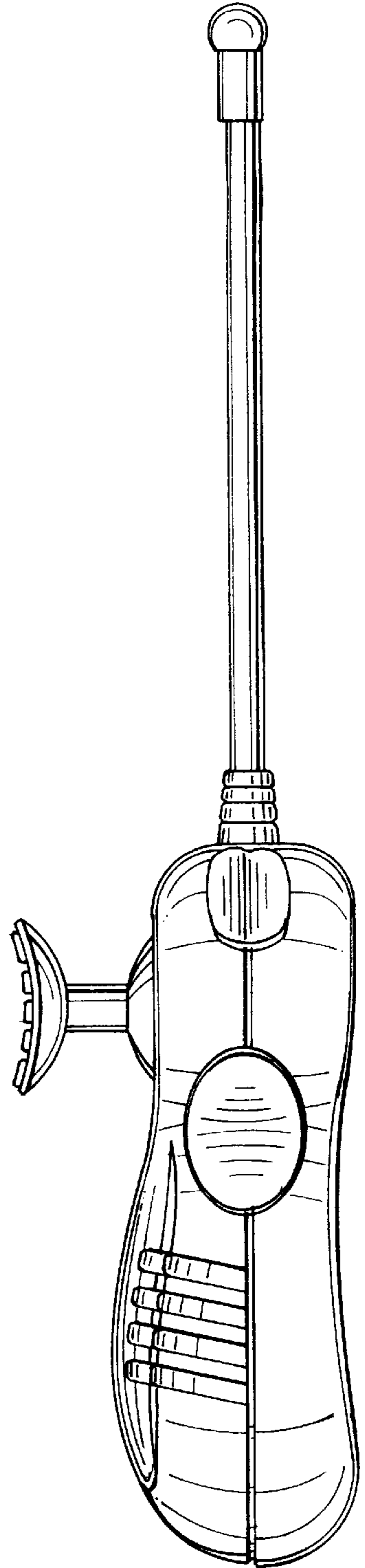


FIG. 7

