



US00D433672S

**United States Patent** [19]  
**Kobayashi**

[11] **Patent Number: Des. 433,672**

[45] **Date of Patent: \*\* Nov. 14, 2000**

[54] **DISC PLAYER**

[75] Inventor: **Takayuki Kobayashi**, Tokyo, Japan

[73] Assignee: **Sony Corporation**, Japan

[\*\*] Term: **14 Years**

[21] Appl. No.: **29/115,473**

[22] Filed: **Dec. 16, 1999**

[51] **LOC (7) Cl.** ..... **14-01**

[52] **U.S. Cl.** ..... **D14/156**

[58] **Field of Search** ..... D14/135, 136,  
D14/156, 157, 160, 167, 168; 369/75.1,  
75.2, 77.1, 77.2

[56] **References Cited**

**U.S. PATENT DOCUMENTS**

D. 350,352	9/1994	Tsuge	.....	D14/156
D. 357,014	4/1995	Uehara	.....	D14/156
D. 416,897	11/1999	Ishii et al.	.....	D14/156
5,642,344	6/1997	Yamada et al.	.....	369/77.2

**OTHER PUBLICATIONS**

Sony New Products Line-up '99 Autumn, 1999, pp. 10, 11.  
Sony Product Range 98, 1998, p. 31.  
Sony Catalog 92, 1999, pp. 63-64.

*Primary Examiner*—Nanda Bondade  
*Attorney, Agent, or Firm*—Rader, Fishman&Grauer

[57] **CLAIM**

The ornamental design for a disc player, as shown and described.

**DESCRIPTION**

FIG. 1 is a perspective view of a disc player showing my new design;  
FIG. 2 is a top plan view thereof;  
FIG. 3 is a left side elevational view thereof;  
FIG. 4 is a front elevational view thereof;  
FIG. 5 is a bottom plan view thereof;  
FIG. 6 is a right side elevational view thereof; and,  
FIG. 7 is a rear elevational view thereof.

**1 Claim, 3 Drawing Sheets**

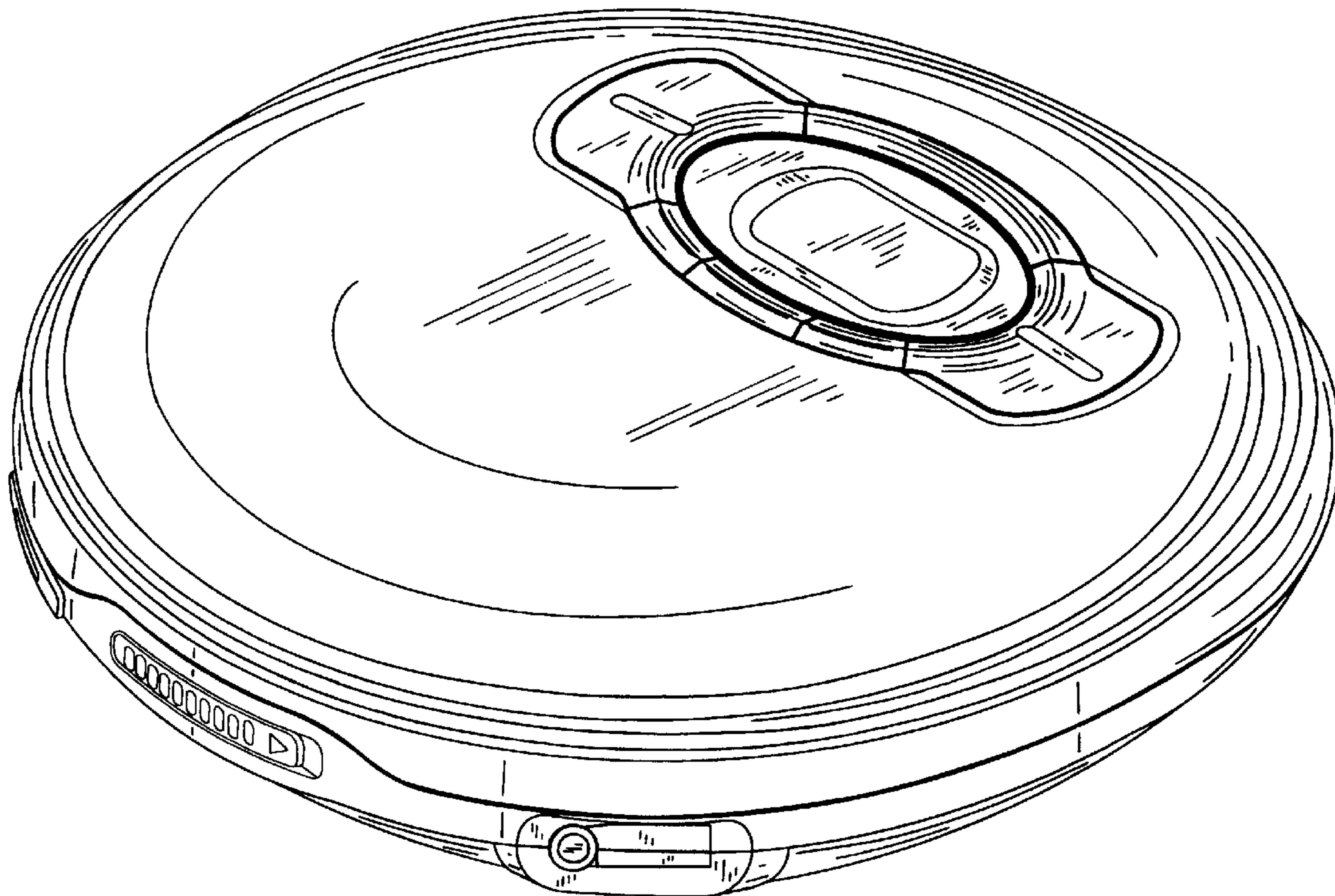


FIG. 1

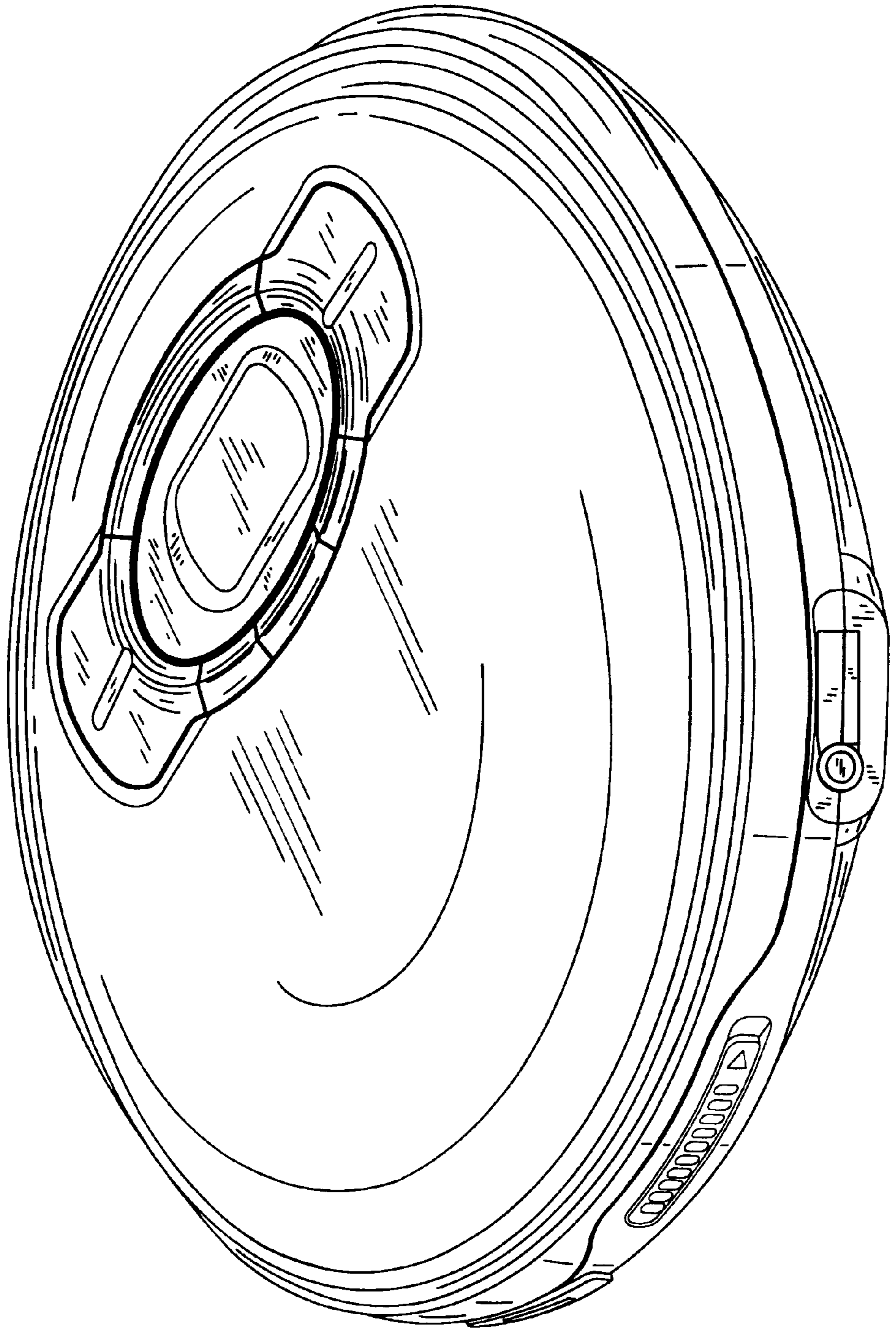


FIG. 2

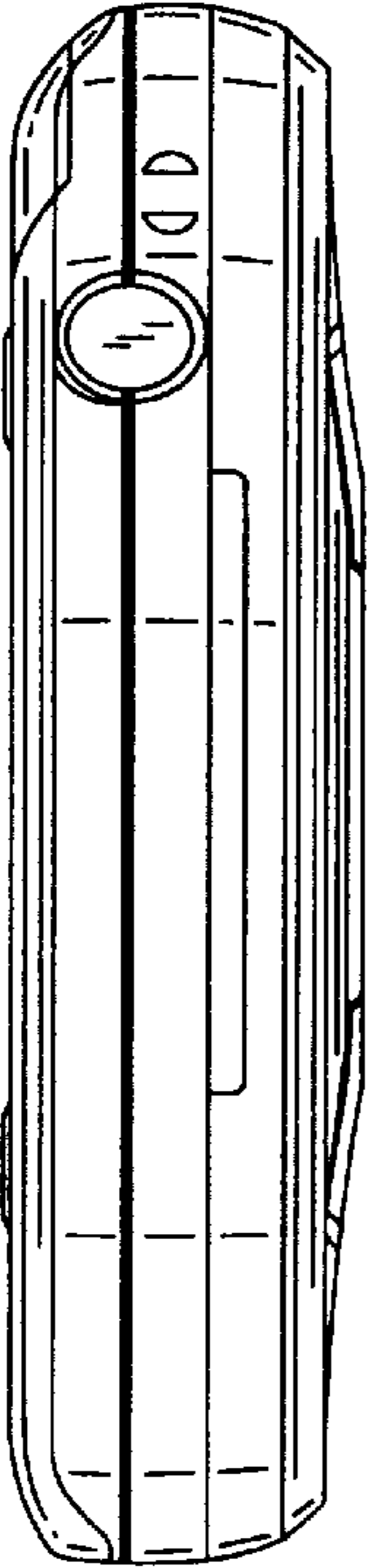


FIG. 4

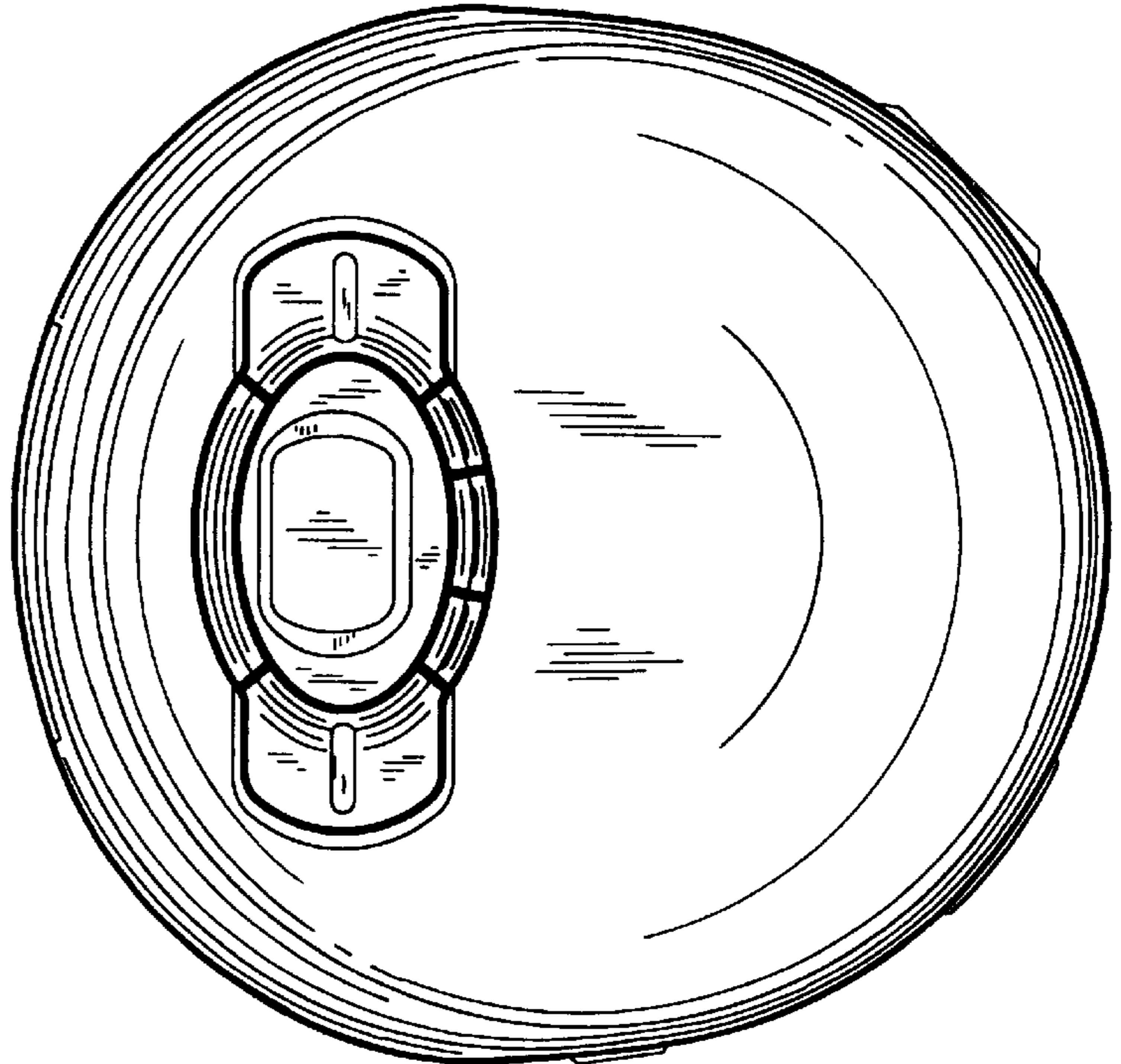


FIG. 3

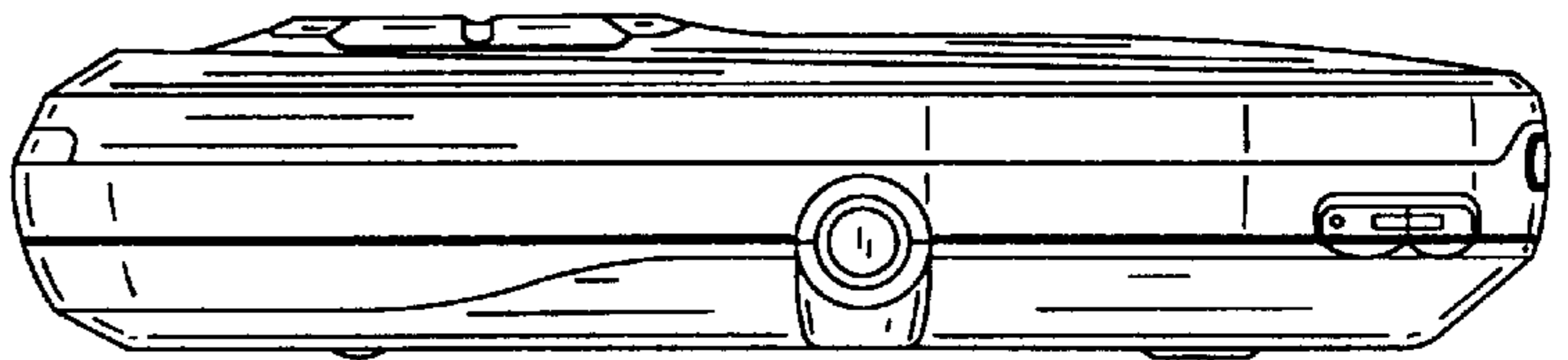




FIG. 7

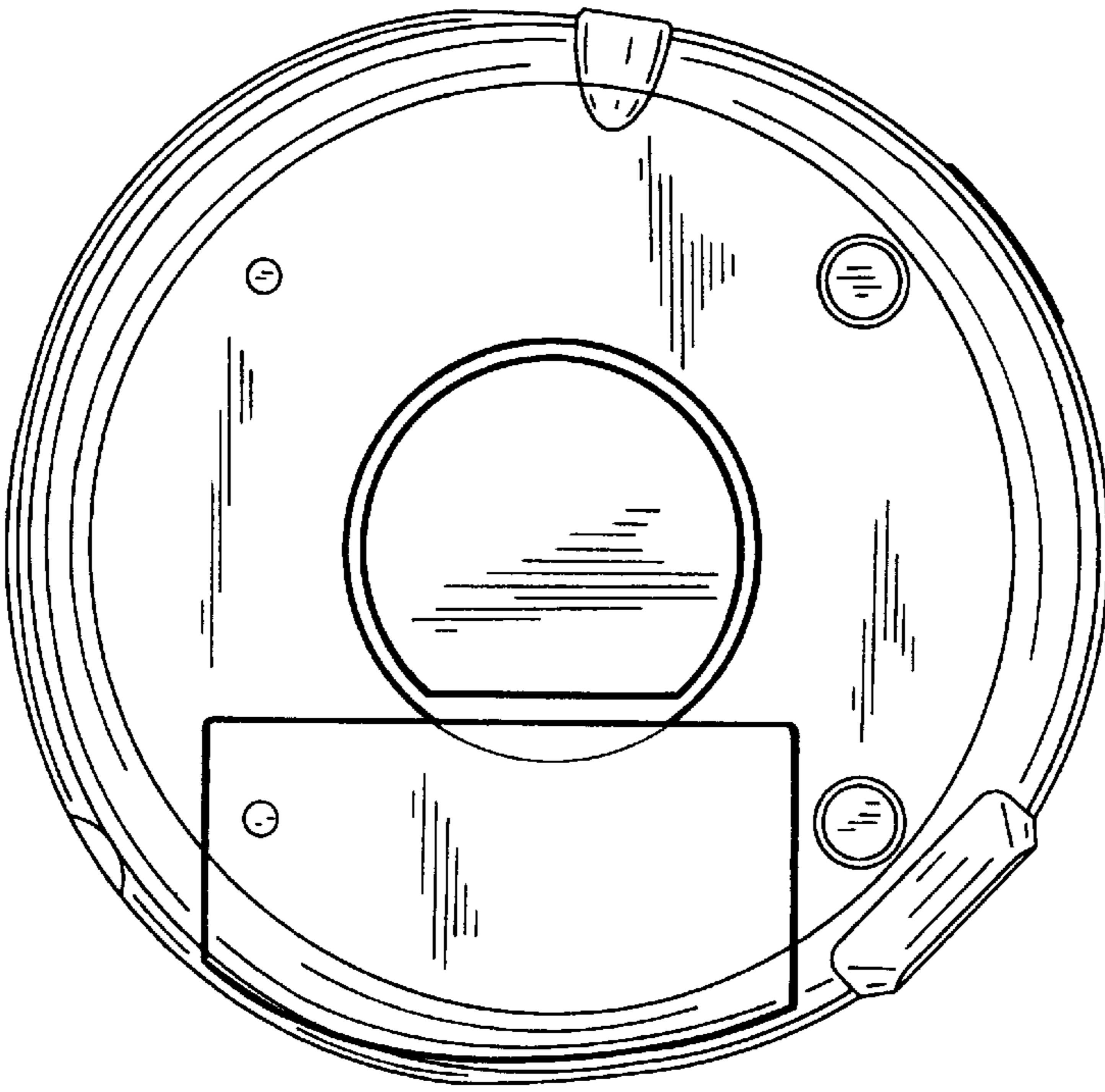


FIG. 6

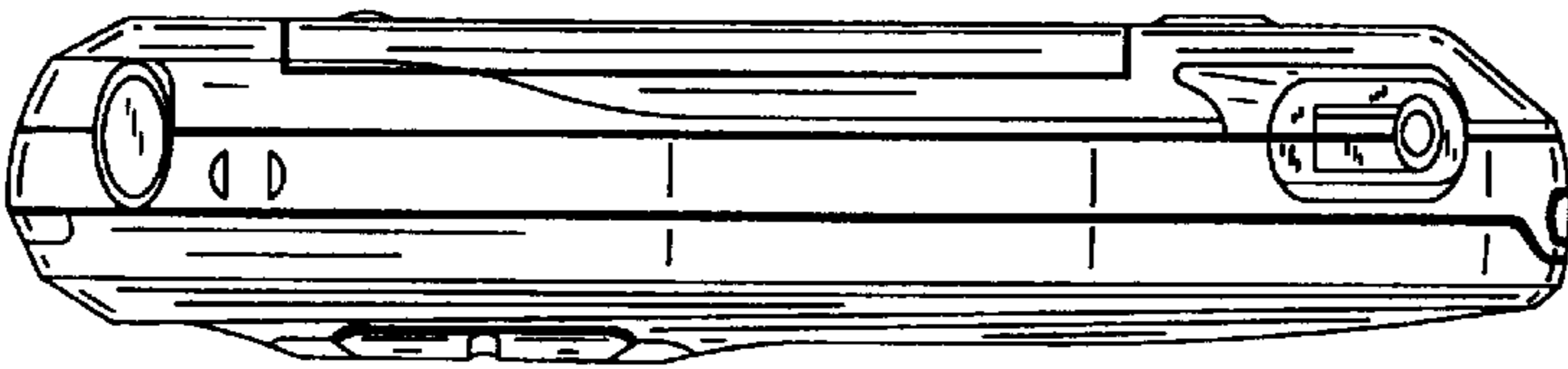


FIG. 5

