



US00D433669S

United States Patent [19]

Nakamura et al.

[11] Patent Number: **Des. 433,669**

[45] Date of Patent: **** Nov. 14, 2000**

[54] **DIGITAL VIDEO DISC RECORDER**

[75] Inventors: **Yukiharu Nakamura**, Saitama;
Shunroku Ohno, Tokyo; **Shinji Makino**, Nara, all of Japan

[73] Assignee: **Matsushita Electric Industrial Co., Ltd.**, Japan

[**] Term: **14 Years**

[21] Appl. No.: **29/102,322**

[22] Filed: **Mar. 22, 1999**

[30] **Foreign Application Priority Data**

Oct. 5, 1998 [JP] Japan 10-28599

[51] **LOC (7) Cl.** **14-01**

[52] **U.S. Cl.** **D14/136; D14/102; D14/109**

[58] **Field of Search** D14/102, 109,
D14/124, 125, 135, 136, 156, 160, 239;
386/125, 126; 369/75.1, 77.1

[56] **References Cited**

U.S. PATENT DOCUMENTS

D. 370,211 5/1996 Lee D14/102
D. 390,220 2/1998 Matsuoka D14/136

D. 404,378 1/1999 Murphy et al. D14/102 X
D. 404,726 1/1999 Murphy et al. D14/102 X

OTHER PUBLICATIONS

Sony Model No. OSL-2000-10 catalogue issued before Oct. 5, 1998.

Pioneer "a Vision" catalogue issued Feb., 1994.

Primary Examiner—Richelle Shelton

Attorney, Agent, or Firm—Saidman DesignLaw Group

[57] **CLAIM**

The ornamental design for a digital video disc recorder, as shown and described.

DESCRIPTION

FIG. 1 is a perspective view of the top, front and right side of a digital video disc recorder showing our new design; FIG. 2 is a front view thereof; FIG. 3 is a rear view thereof; FIG. 4 is a top plan view thereof; FIG. 5 is a bottom view thereof; FIG. 6 is a right side view thereof; FIG. 7 is a left side view thereof; and, FIG. 8 is a perspective view thereof with the front cover in open condition and the disc tray being drawn out.

1 Claim, 6 Drawing Sheets

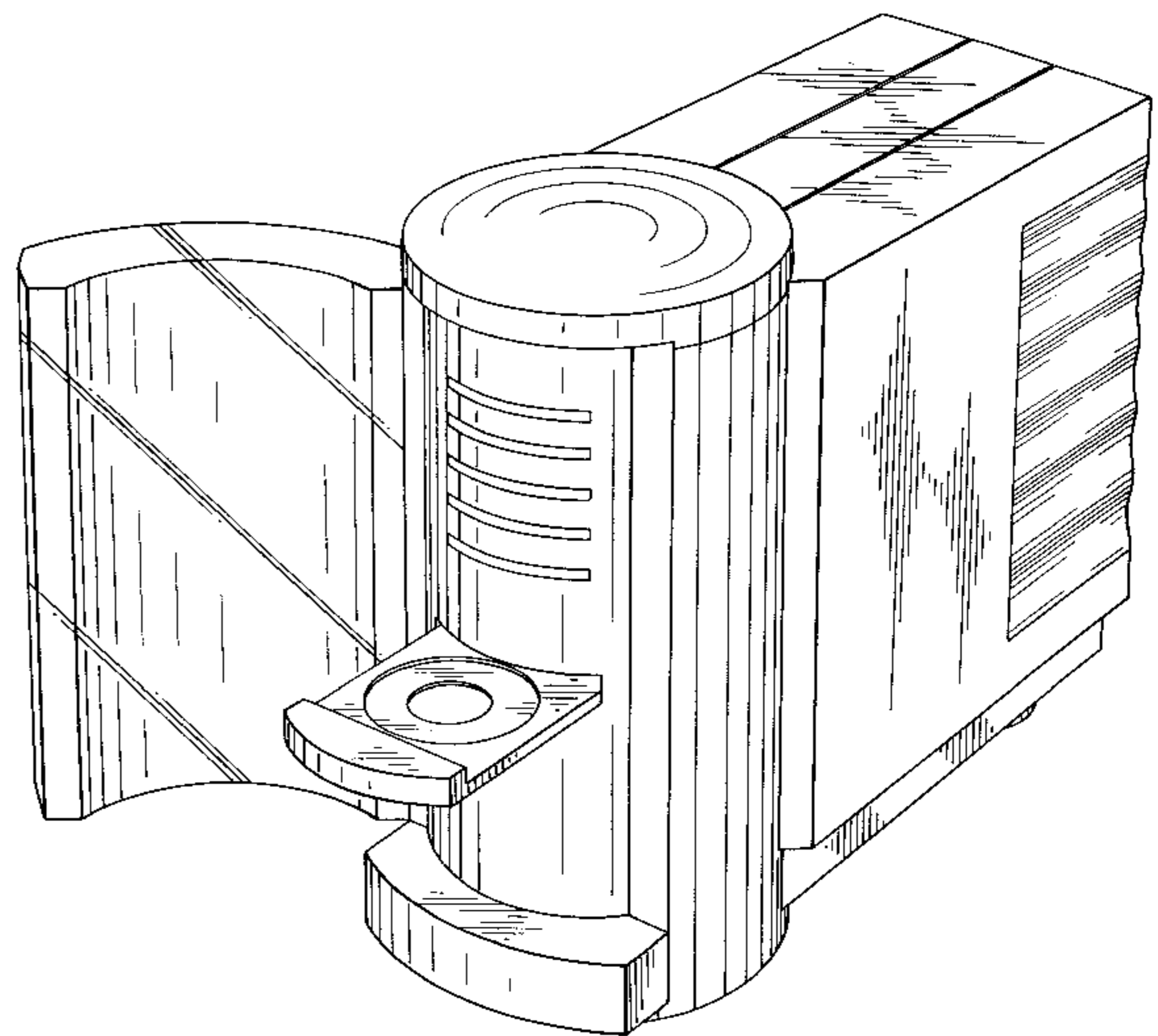
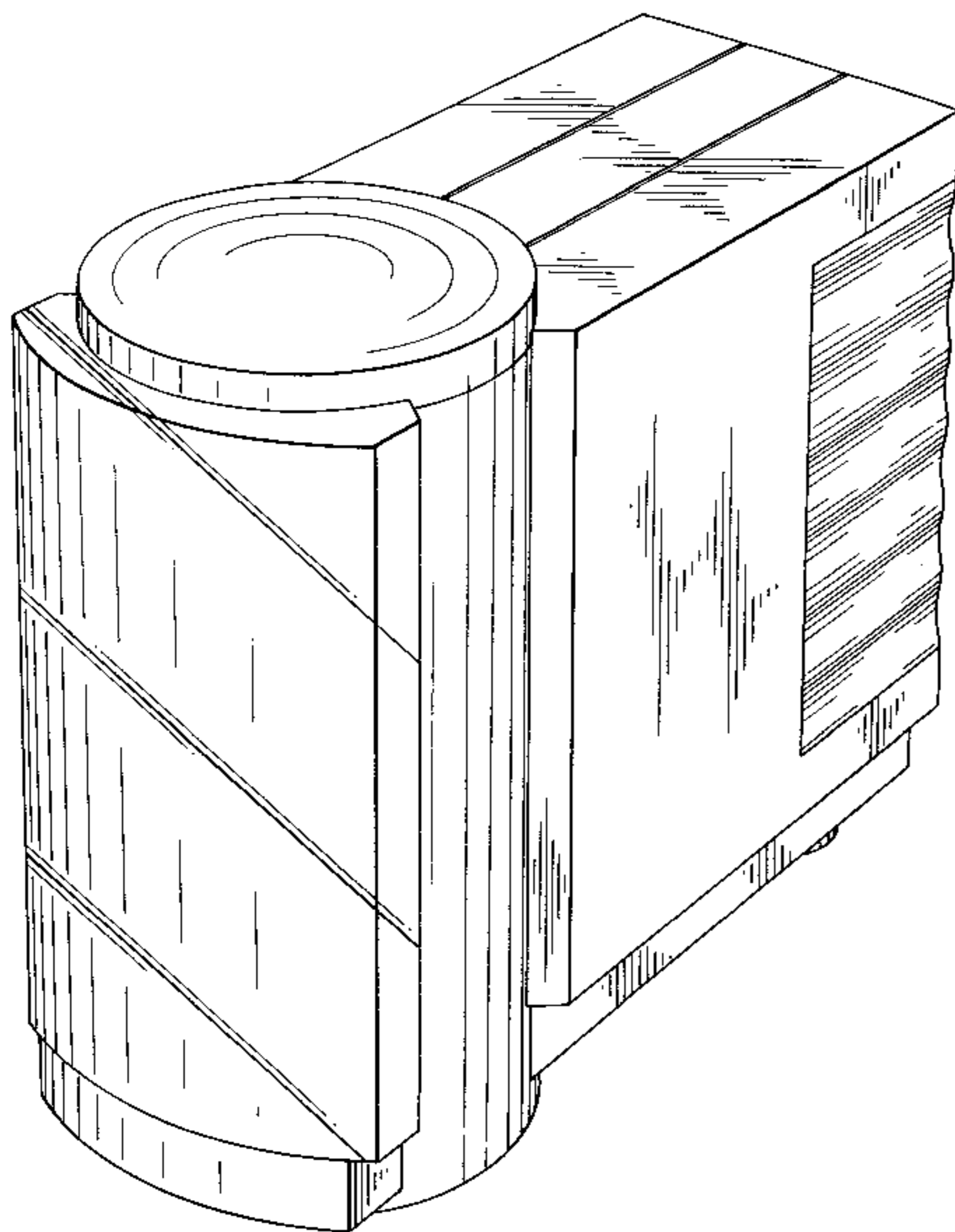


FIG. 1

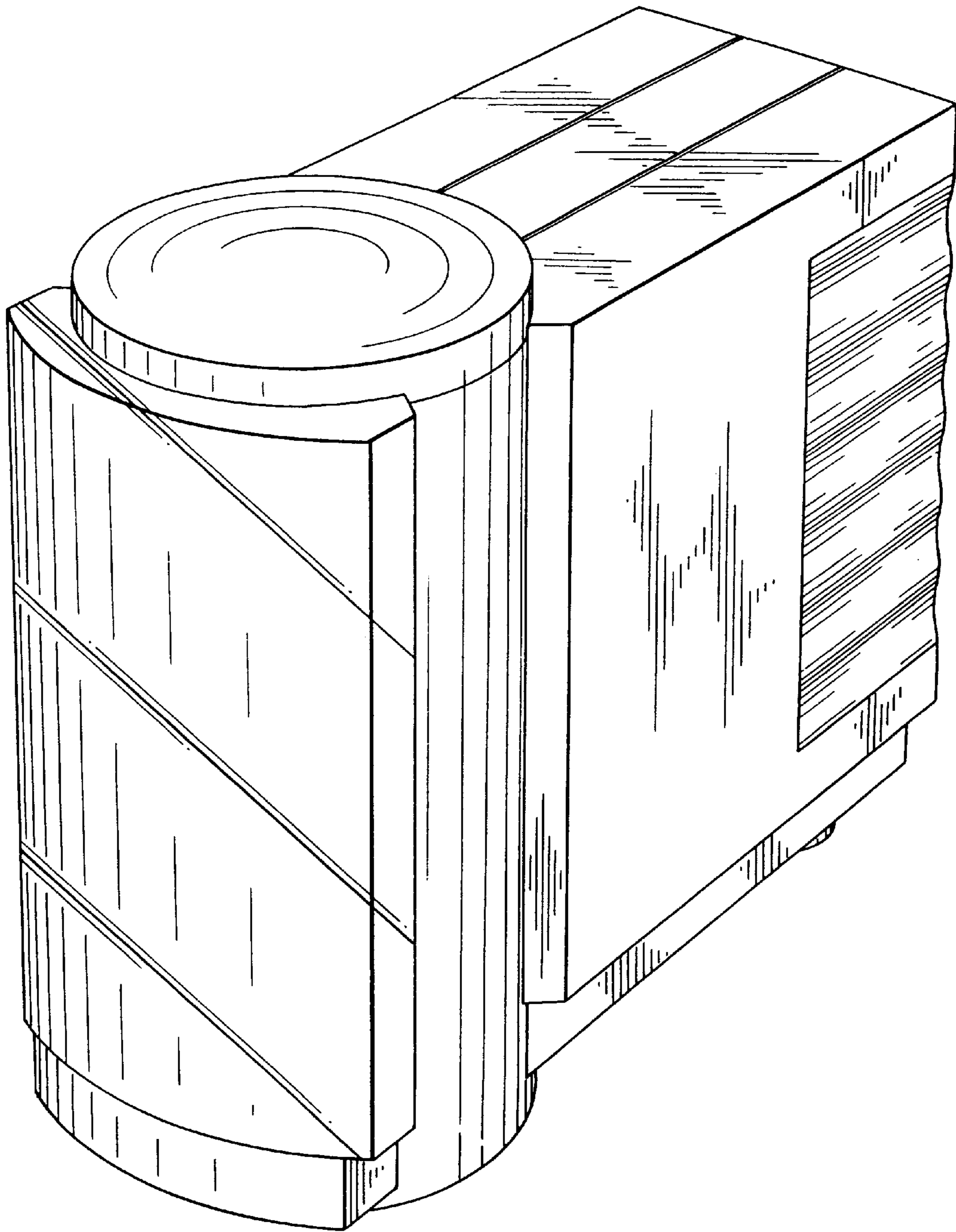


FIG. 2

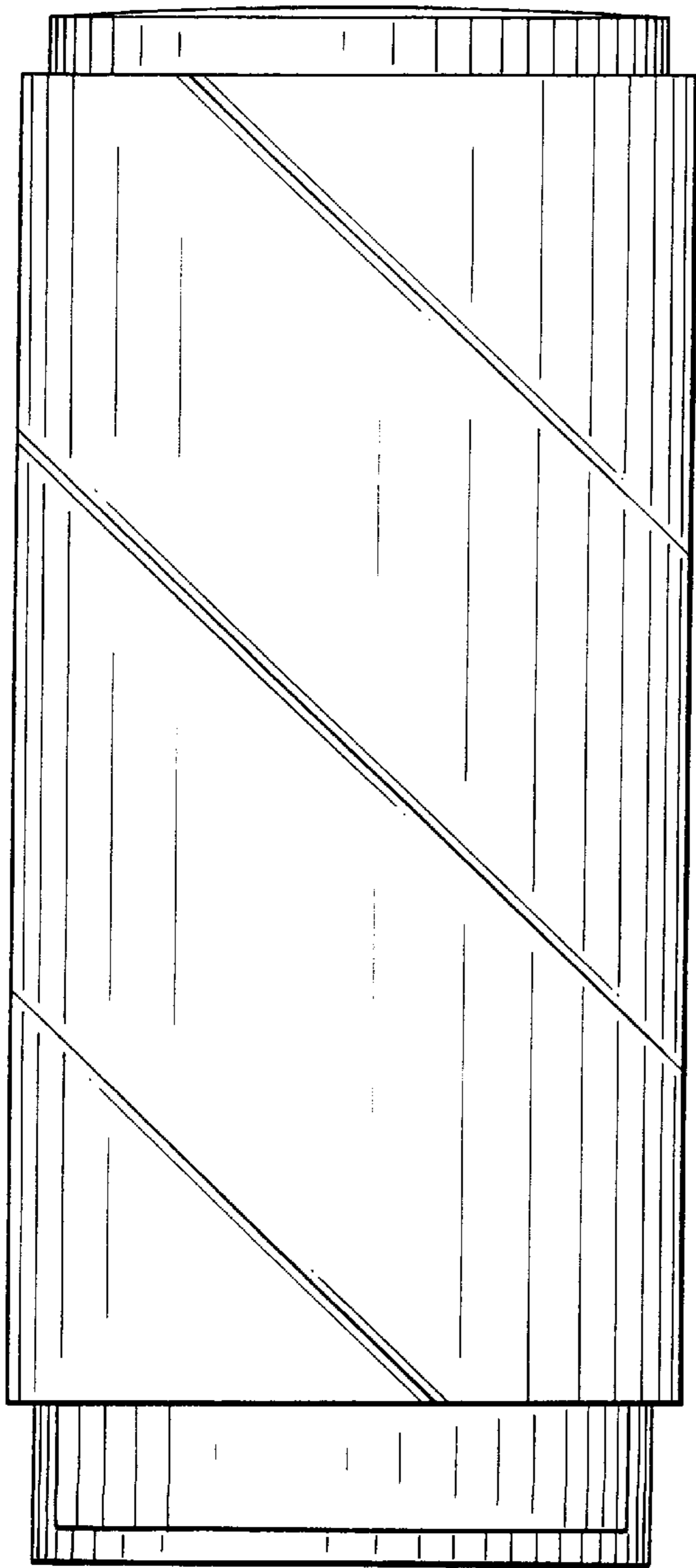


FIG. 3

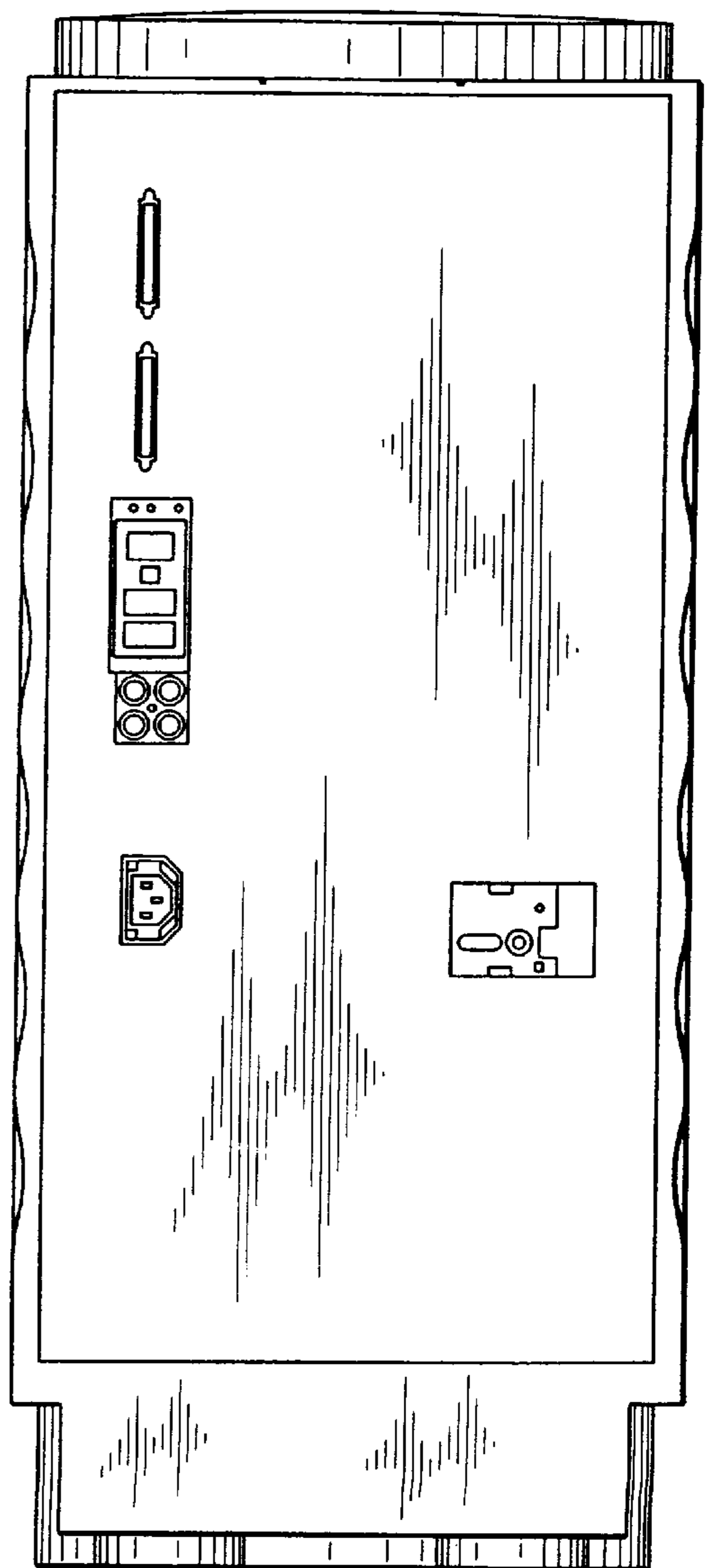


FIG. 4

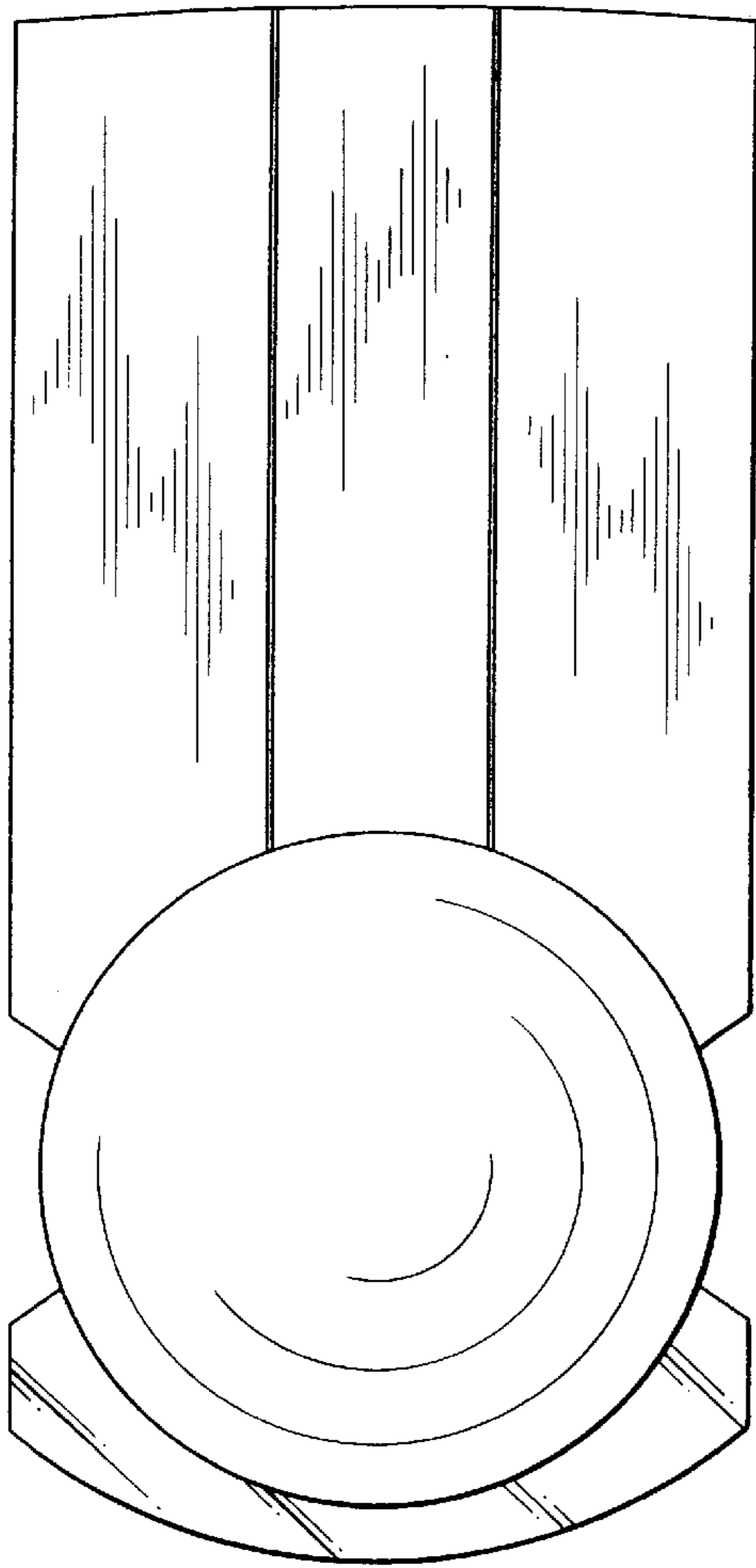


FIG. 5

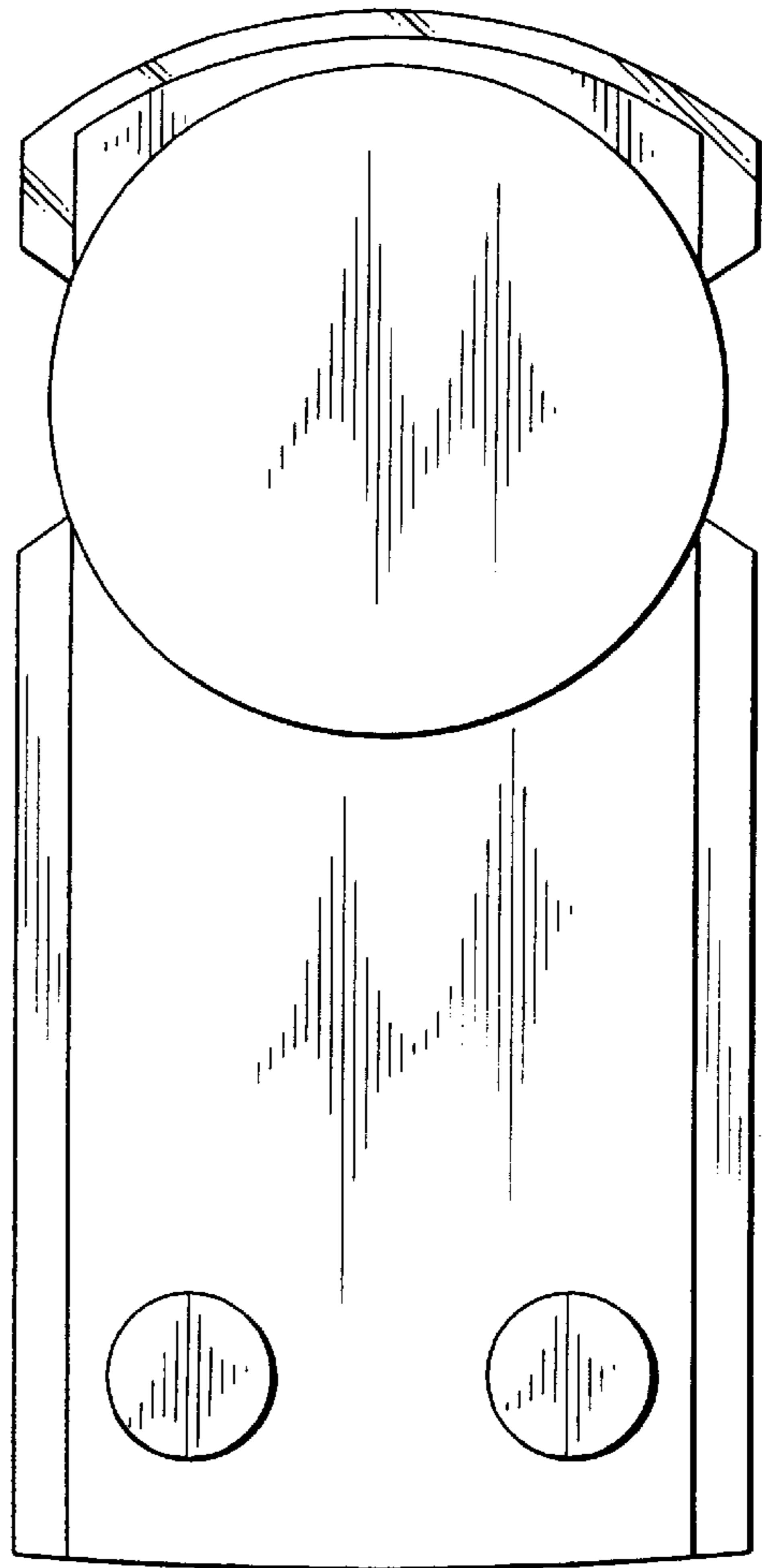


FIG. 6

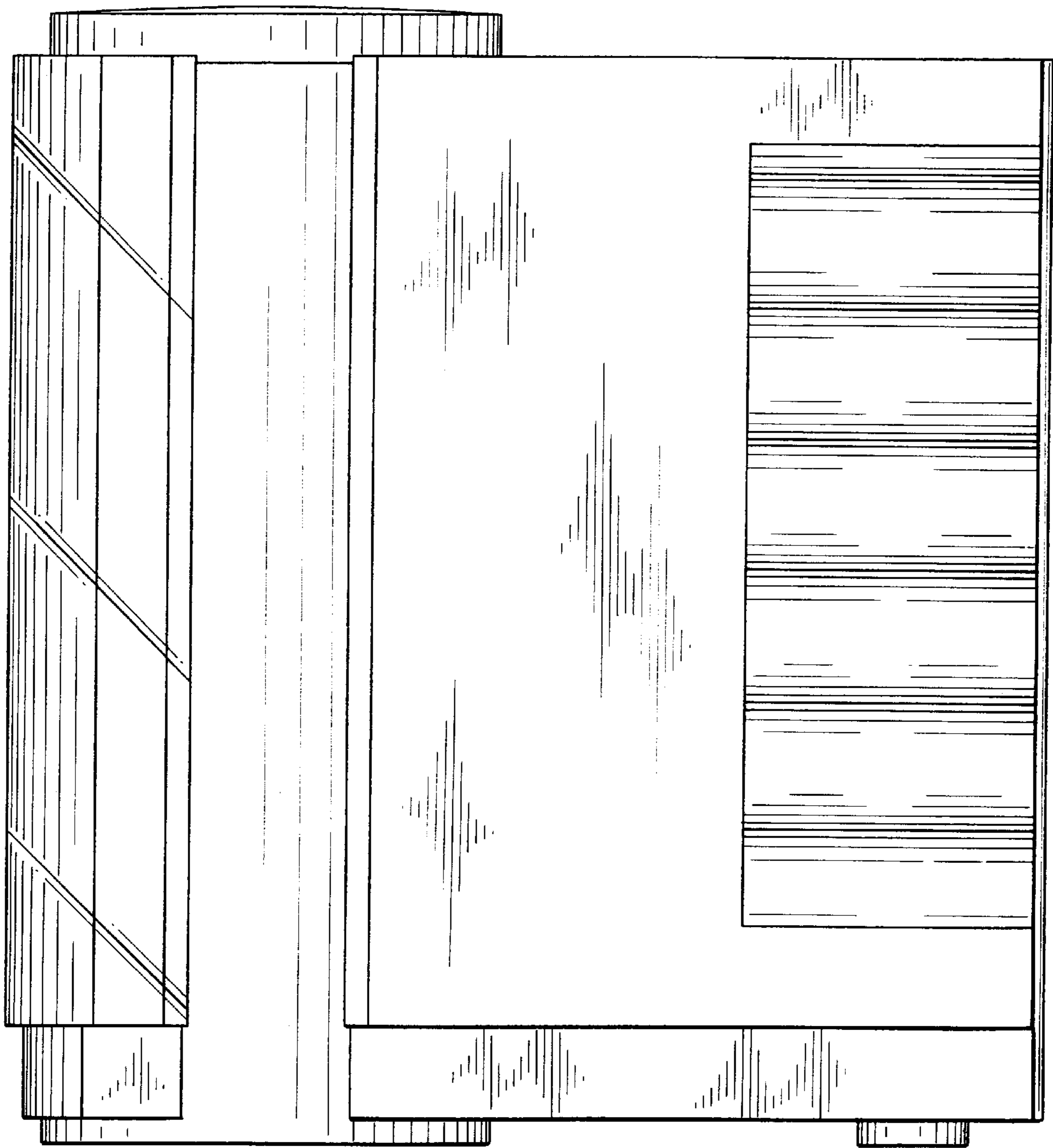


FIG. 7

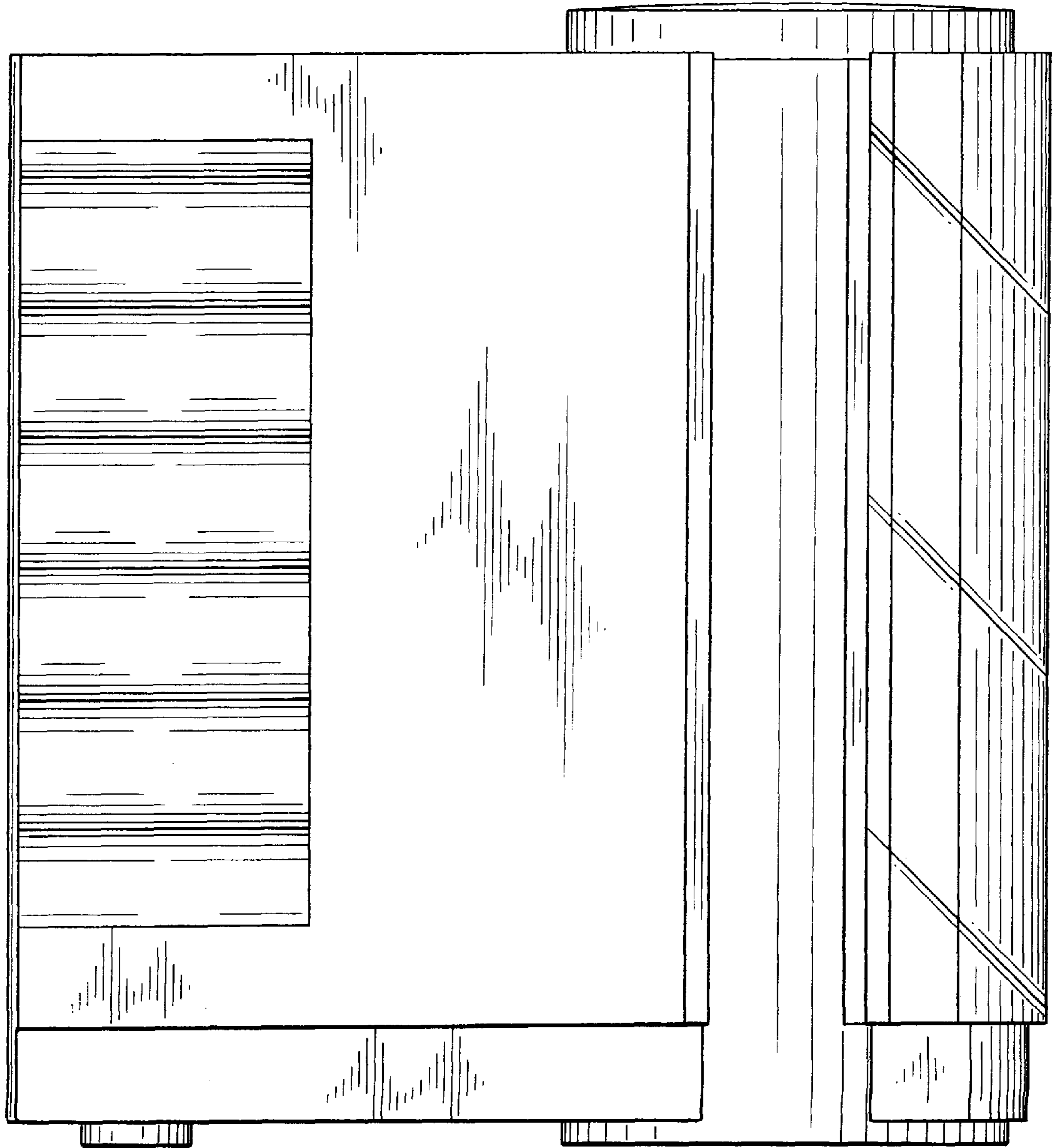


FIG. 8

