



US00D433668S

United States Patent [19] Nakamura

[11] **Patent Number: Des. 433,668**

[45] **Date of Patent: ** Nov. 14, 2000**

[54] **VIDEO TAPE RECORDER COMBINED WITH A SCREEN**

[75] Inventor: **Toshihiro Nakamura**, Tokyo, Japan

[73] Assignee: **Sony Corporation**, Japan

[**] Term: **14 Years**

[21] Appl. No.: **29/105,012**

[22] Filed: **May 14, 1999**

Related U.S. Application Data

[62] Division of application No. 29/075,599, Sep. 3, 1997, Pat. No. Des. 411,195.

[51] **LOC (7) Cl.** **14-01**

[52] **U.S. Cl.** **D14/135**

[58] **Field of Search** D14/106, 129, D14/132, 135, 136; 369/75.1, 75.2; 386/125, 126

[56] References Cited

U.S. PATENT DOCUMENTS

D. 337,327 7/1993 Suzuki D14/136

D. 338,003 8/1993 Nakayama D14/136
D. 342,501 12/1993 Saeki et al. D14/126
D. 371,357 7/1996 Nakamura D14/136
D. 377,648 1/1997 Young D14/136

OTHER PUBLICATIONS

Catalog No. 86, Sony, pp. 19 (Jul. 1997).

Primary Examiner—Richelle Shelton

Attorney, Agent, or Firm—Rader, Fishman & Grauer

[57] CLAIM

The ornamental design for a video tape recorder combined with a screen, as shown and described.

DESCRIPTION

FIG. 1 is a perspective view of a video tape recorder combined with a screen showing my new design; FIG. 2 is a top plan view thereof; FIG. 3 is a left side elevational view thereof; FIG. 4 is a front elevational view thereof; FIG. 5 is a bottom plan view thereof; FIG. 6 is a right side elevational view thereof; and, FIG. 7 is a rear elevational view thereof.

1 Claim, 4 Drawing Sheets

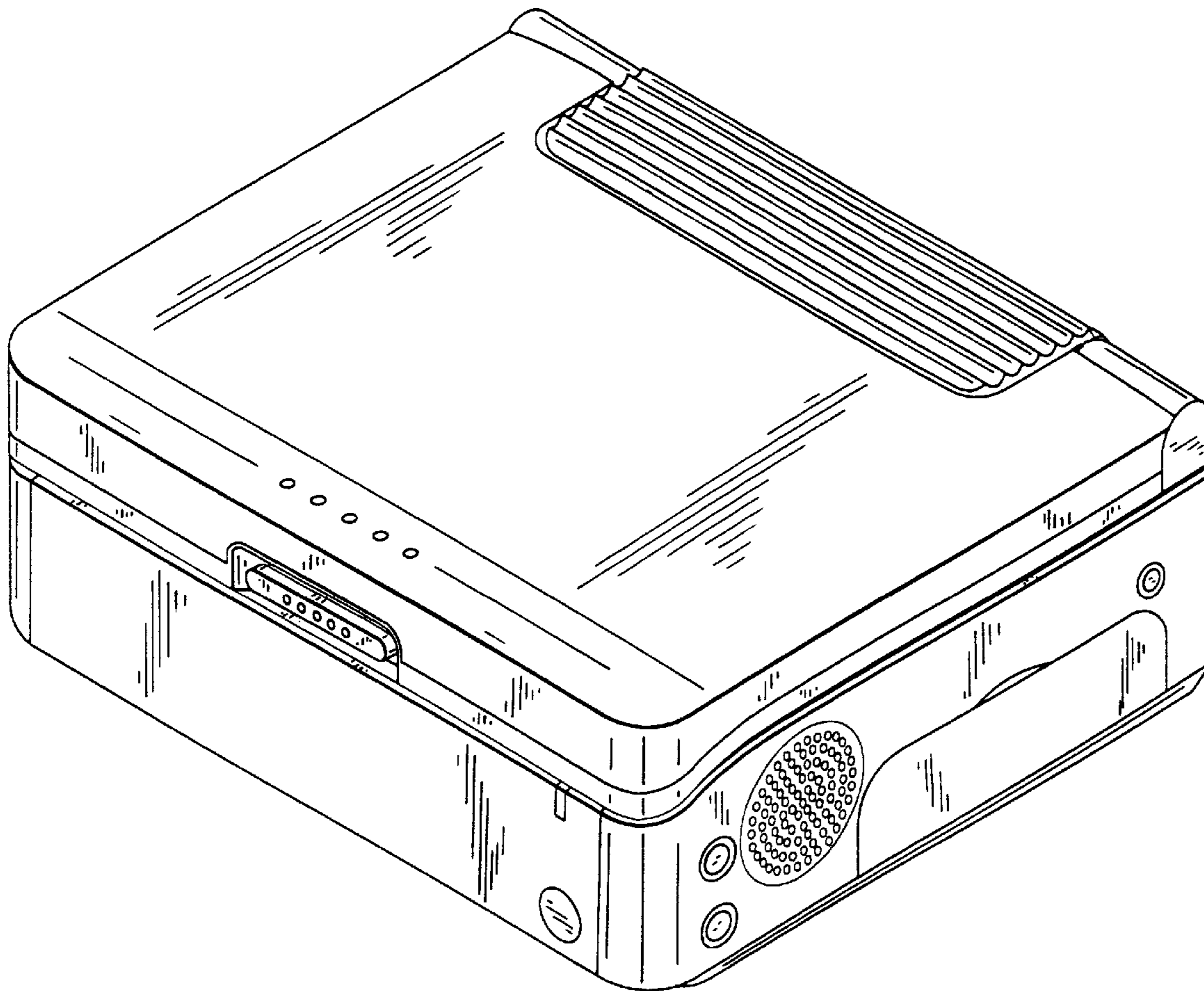


FIG. 1

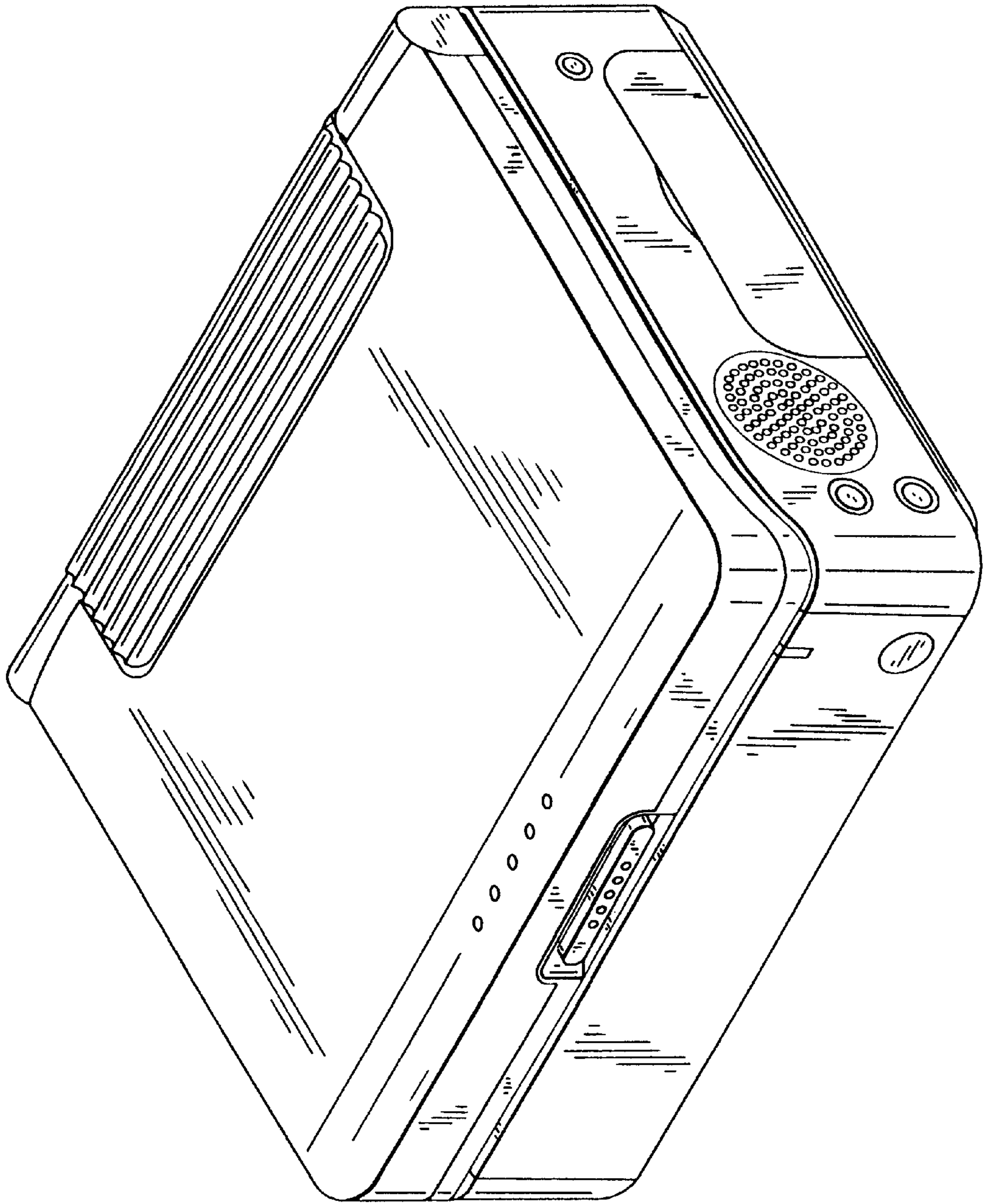


FIG. 2

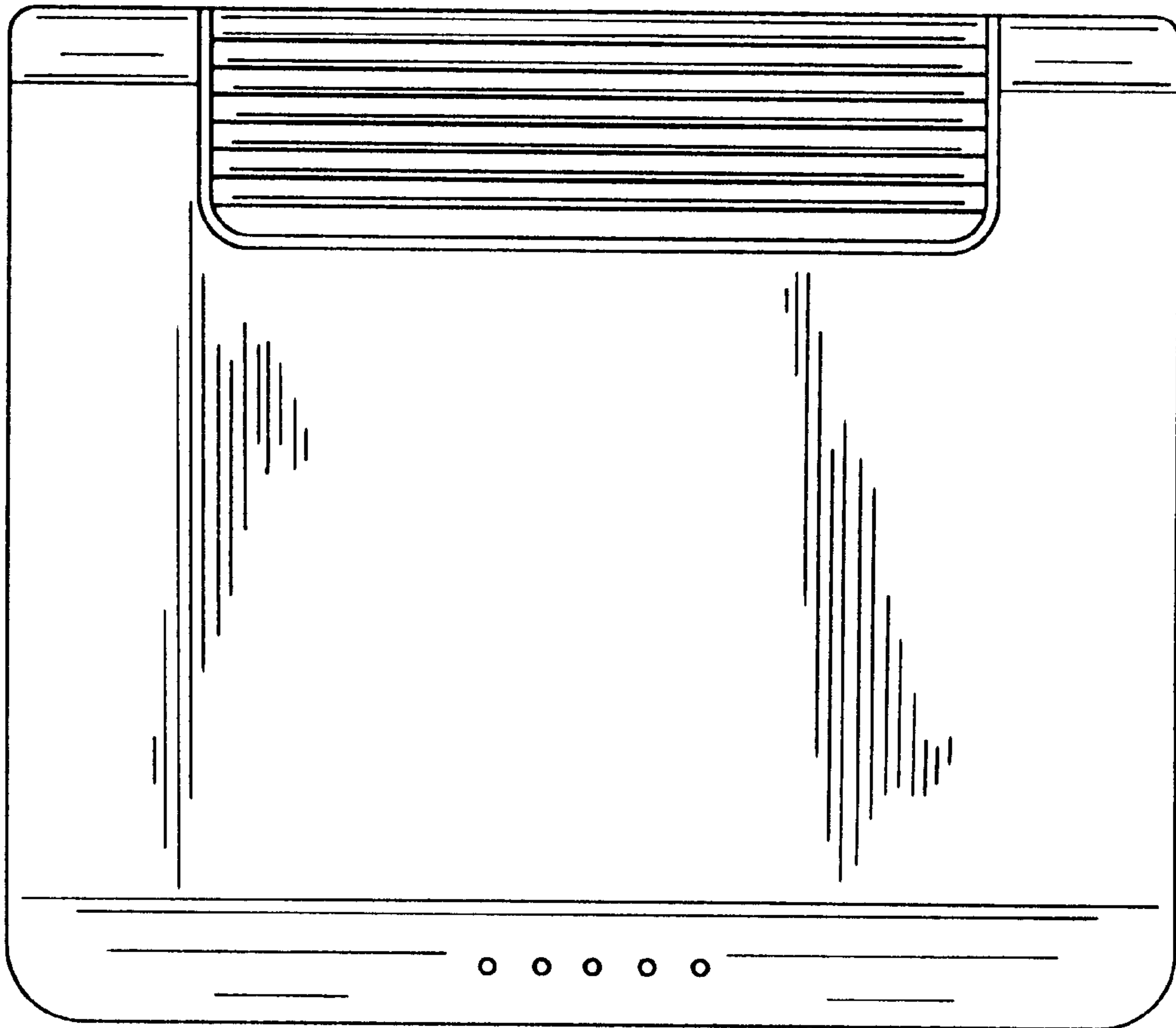


FIG. 3

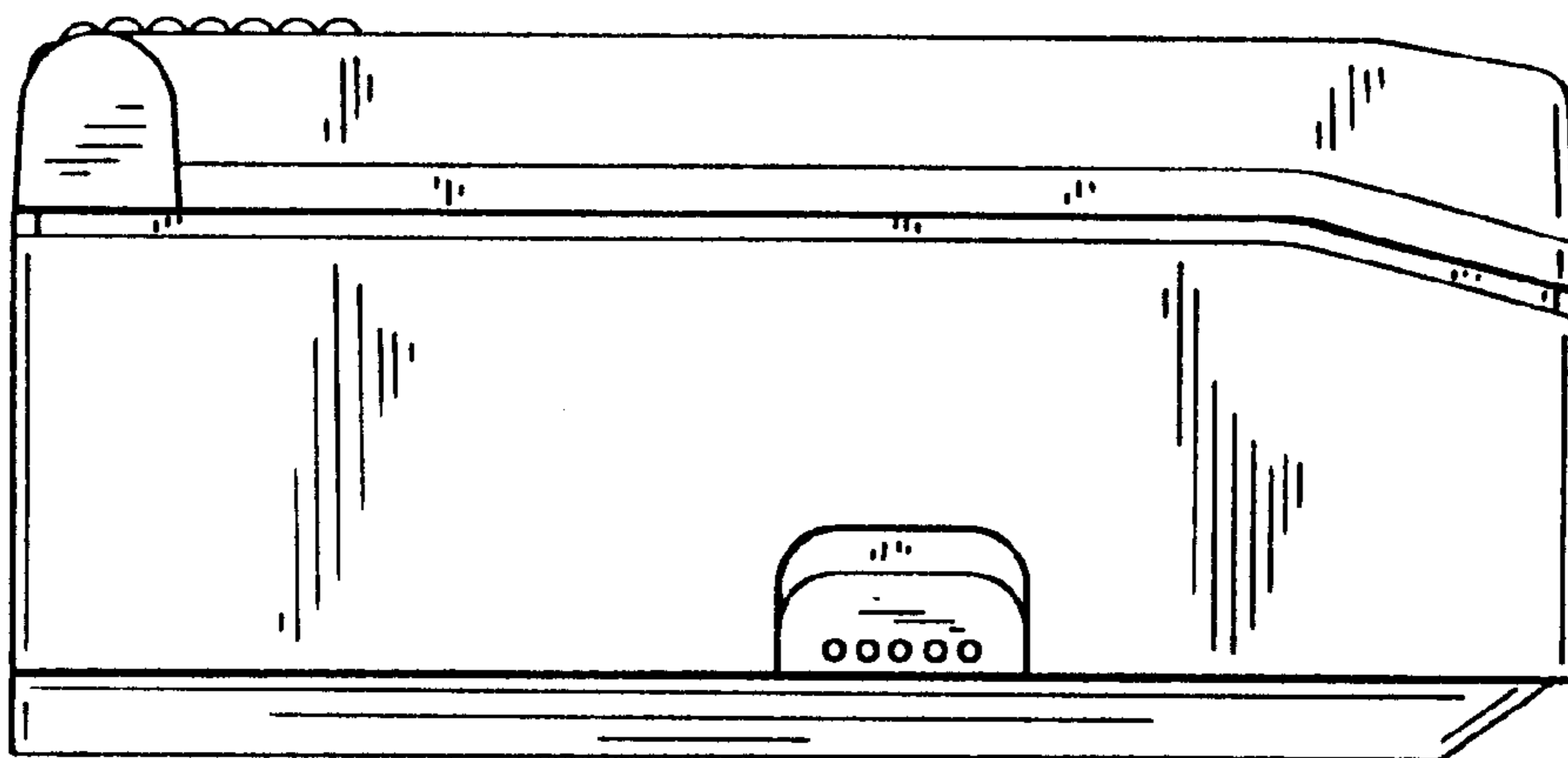


FIG. 4

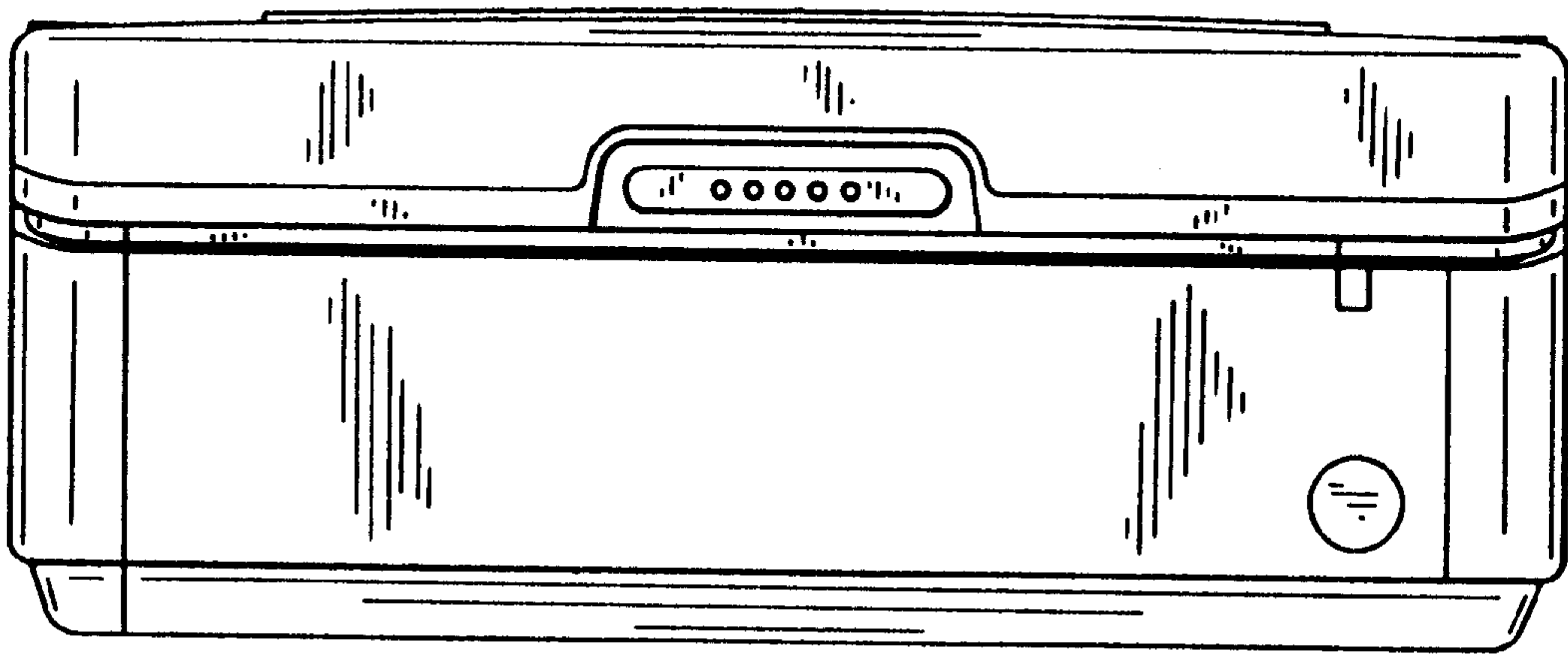


FIG. 5

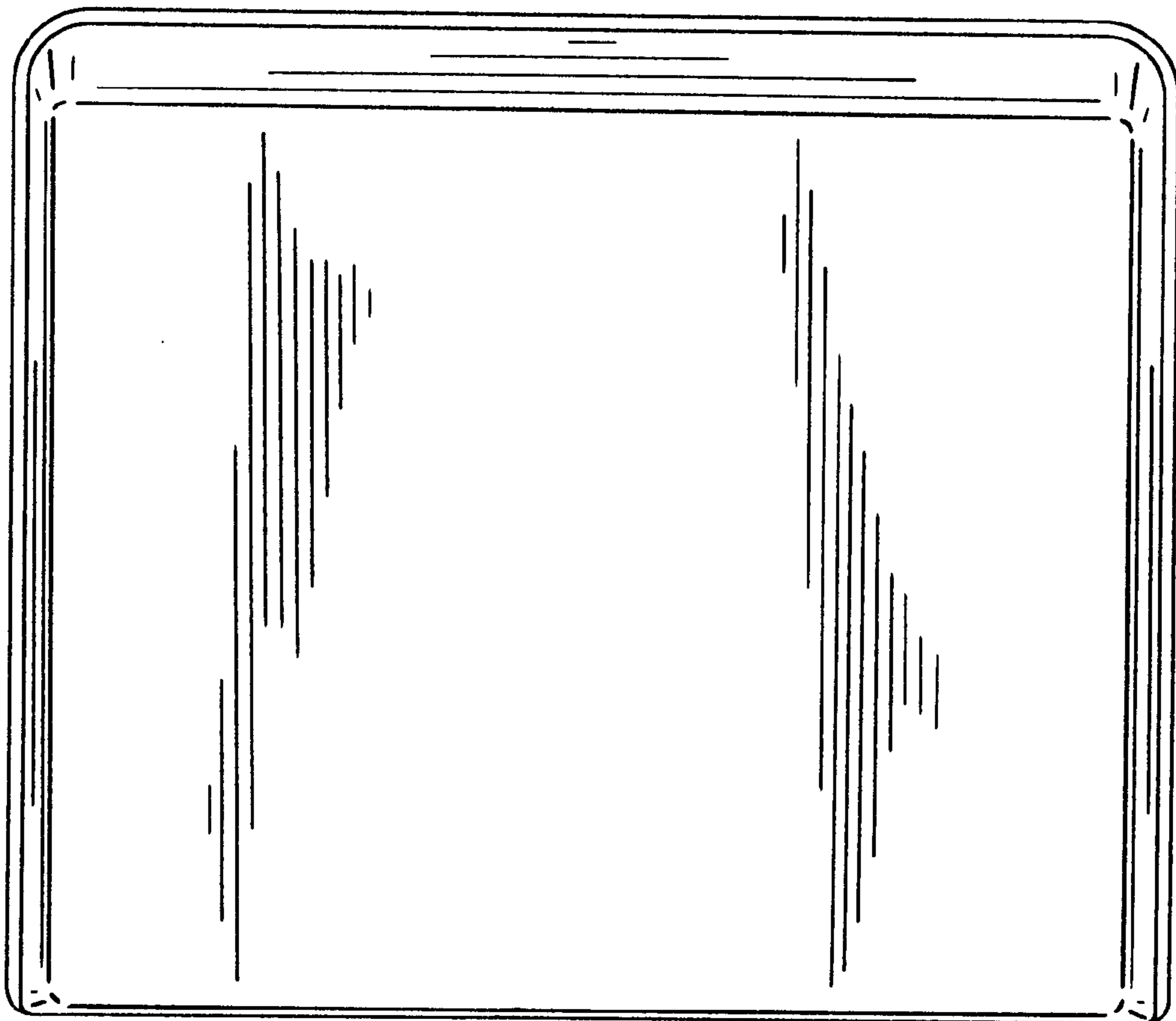


FIG. 6

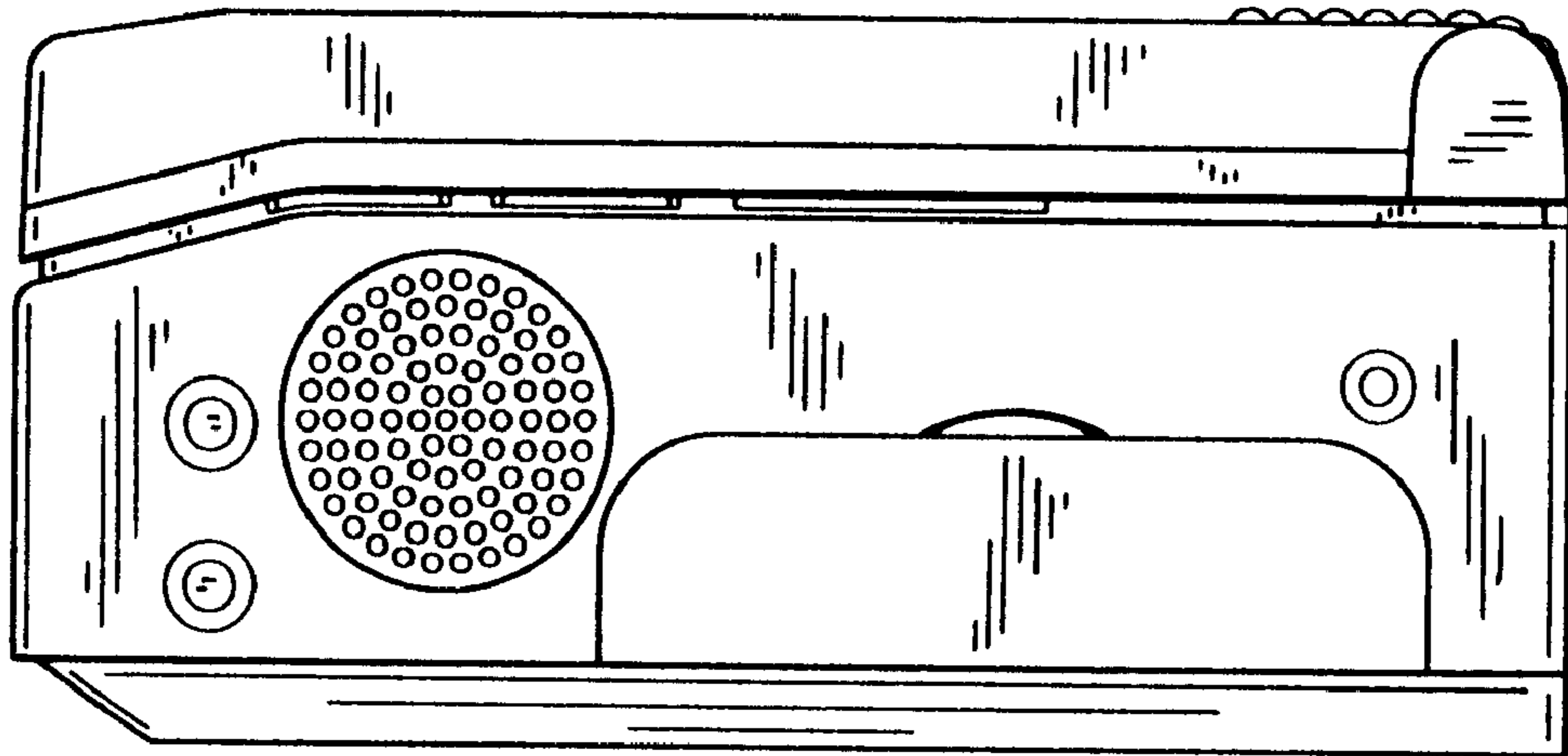


FIG. 7

