



US00D433666S

United States Patent [19] Yang

[11] **Patent Number: Des. 433,666**

[45] **Date of Patent: ** Nov. 14, 2000**

[54] **ELECTRICAL CONNECTOR**

4,911,659 3/1990 Viselli 439/570

[75] Inventor: **Fu-Keng Yang**, Taipei, Taiwan

Primary Examiner—Joel Sincavage
Attorney, Agent, or Firm—Wei Te Chung

[73] Assignee: **Hon Hai Precision Ind. Co., Ltd.**,
Taipei Hsien, Taiwan

[**] Term: **14 Years**

[57] **CLAIM**

The ornamental design for an electrical connector, as shown.

[21] Appl. No.: **29/119,178**

DESCRIPTION

[22] Filed: **Feb. 24, 2000**

FIG. 1 is a front, top, and right side perspective view of an electrical connector showing my new design;

[30] **Foreign Application Priority Data**

Feb. 18, 2000 [JP] Japan 89301073

FIG. 2 is a front elevational view thereof;

[51] **LOC (7) Cl.** **13-03**

FIG. 3 is a rear elevational view thereof;

[52] **U.S. Cl.** **D13/147**

FIG. 4 is a left side elevational view thereof;

[58] **Field of Search** D13/146, 147;
439/607-610, 78

FIG. 5 is a right side elevational view thereof;

FIG. 6 is a top plan view thereof; and,

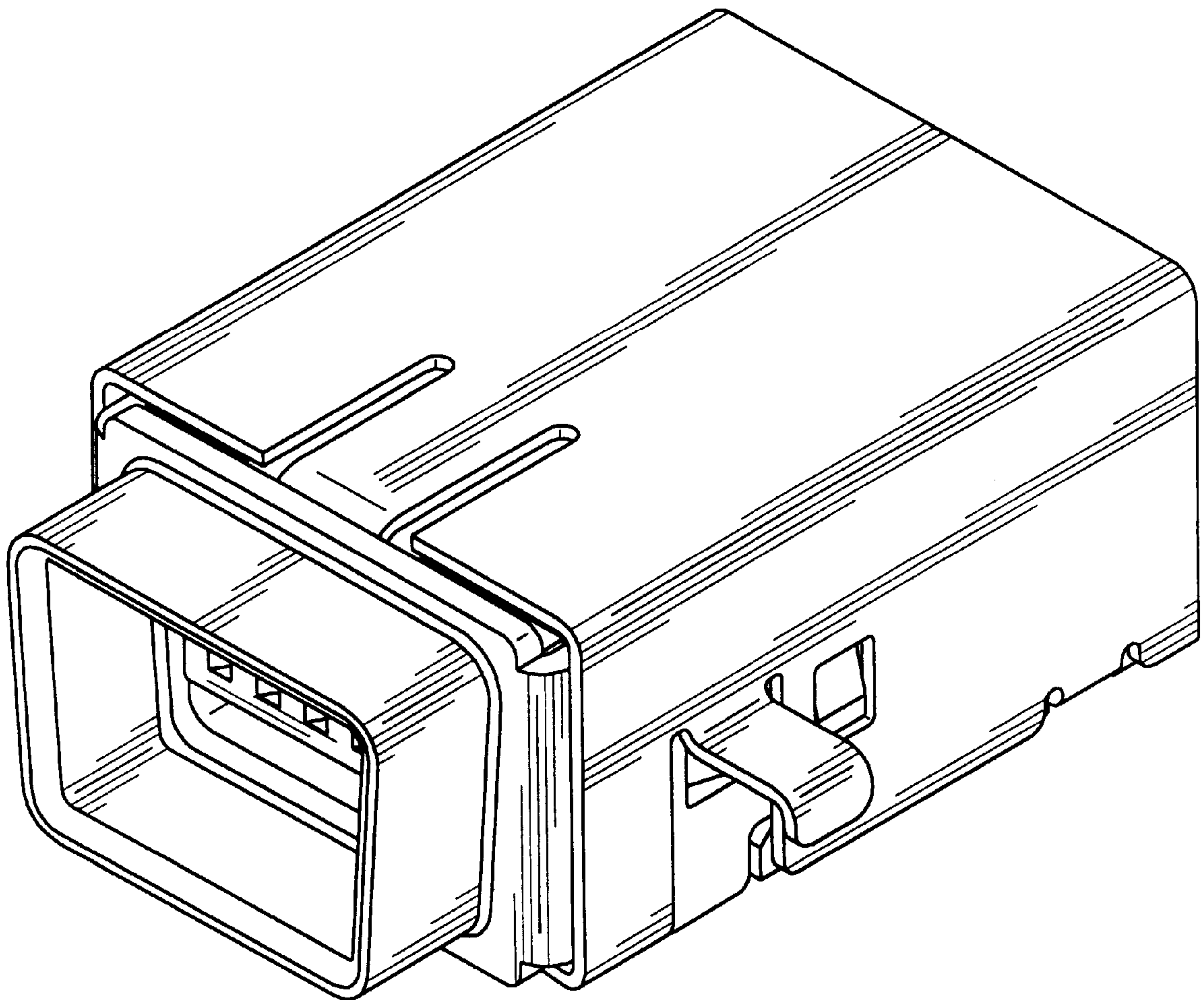
FIG. 7 is a bottom plan view thereof.

[56] **References Cited**

U.S. PATENT DOCUMENTS

D. 391,551 3/1998 Ono D13/147

1 Claim, 7 Drawing Sheets



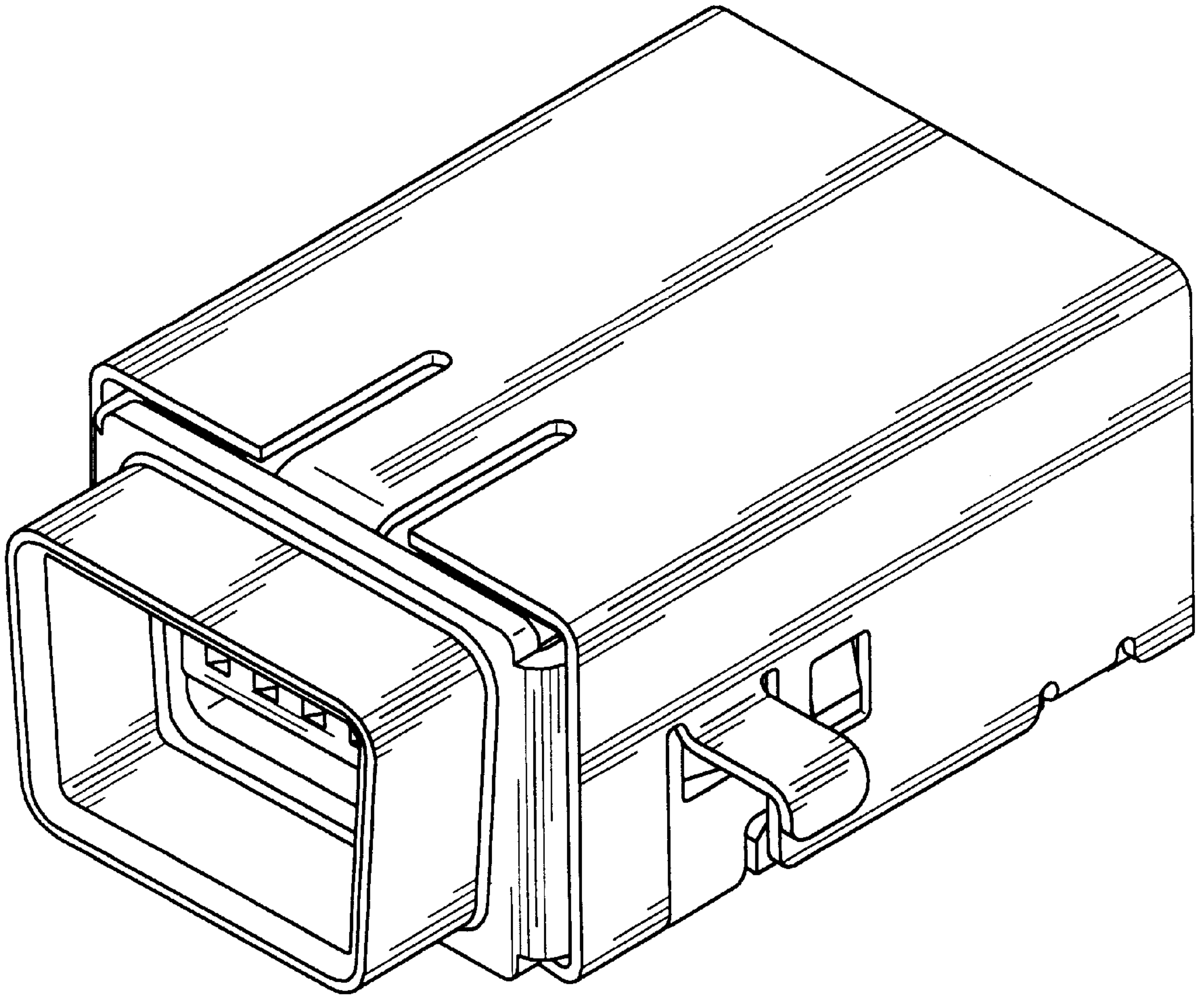


FIG. 1

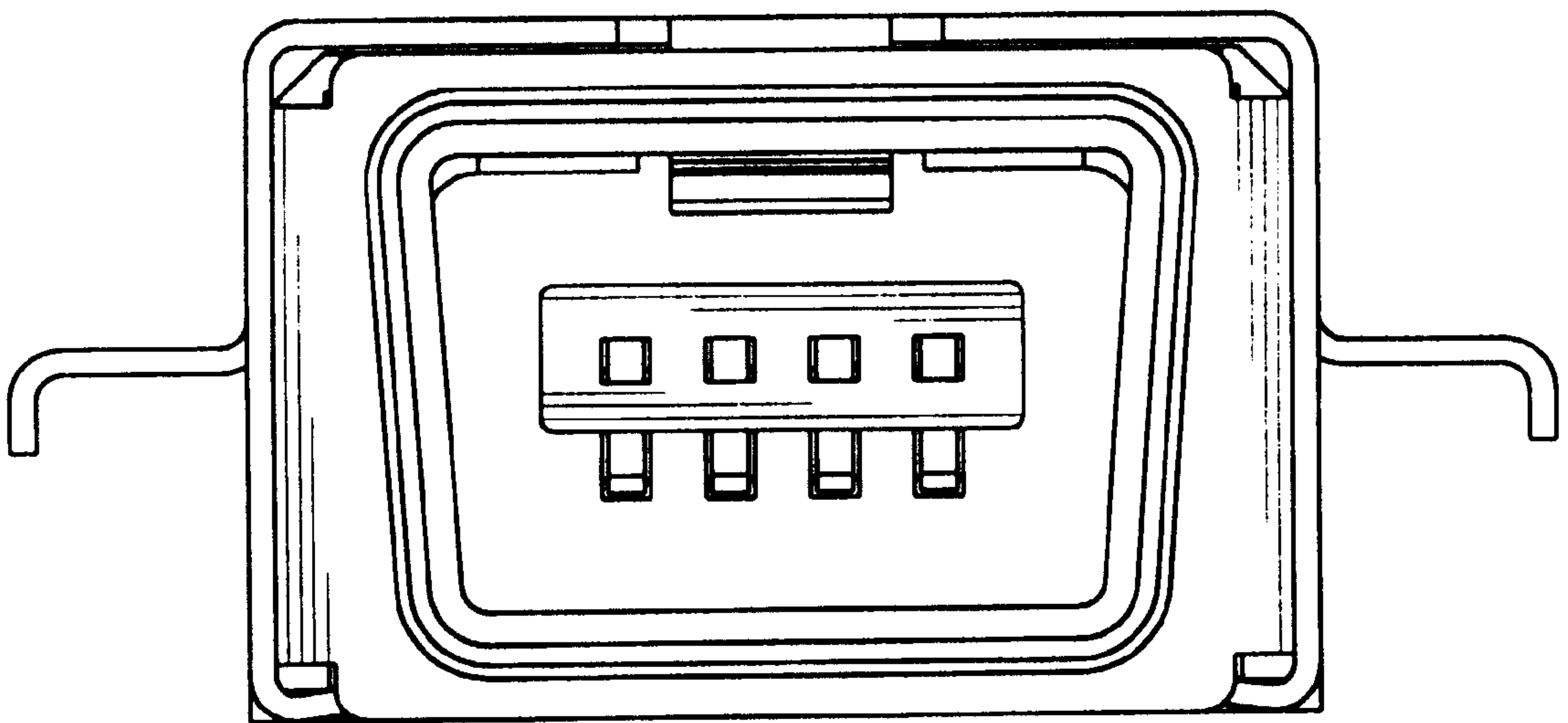


FIG. 2

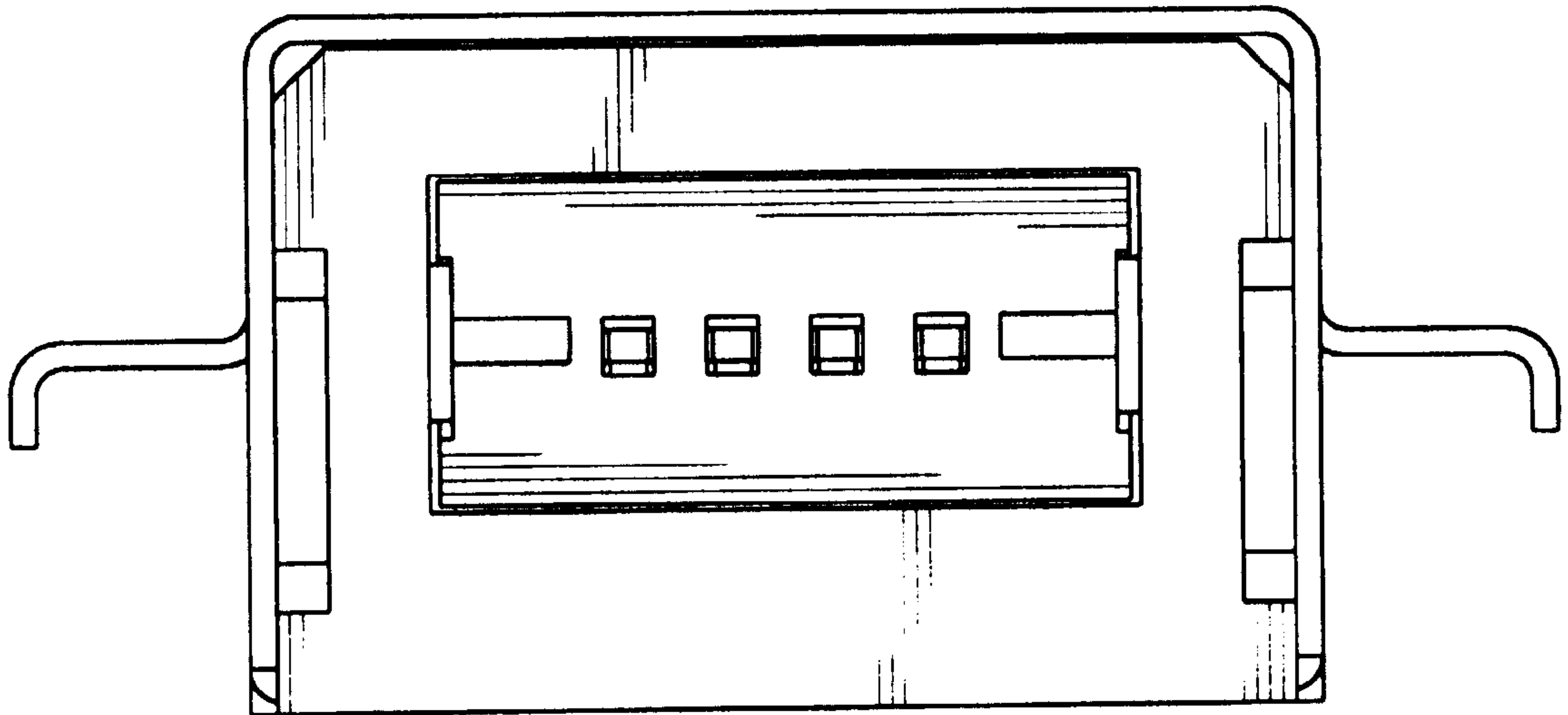


FIG. 3

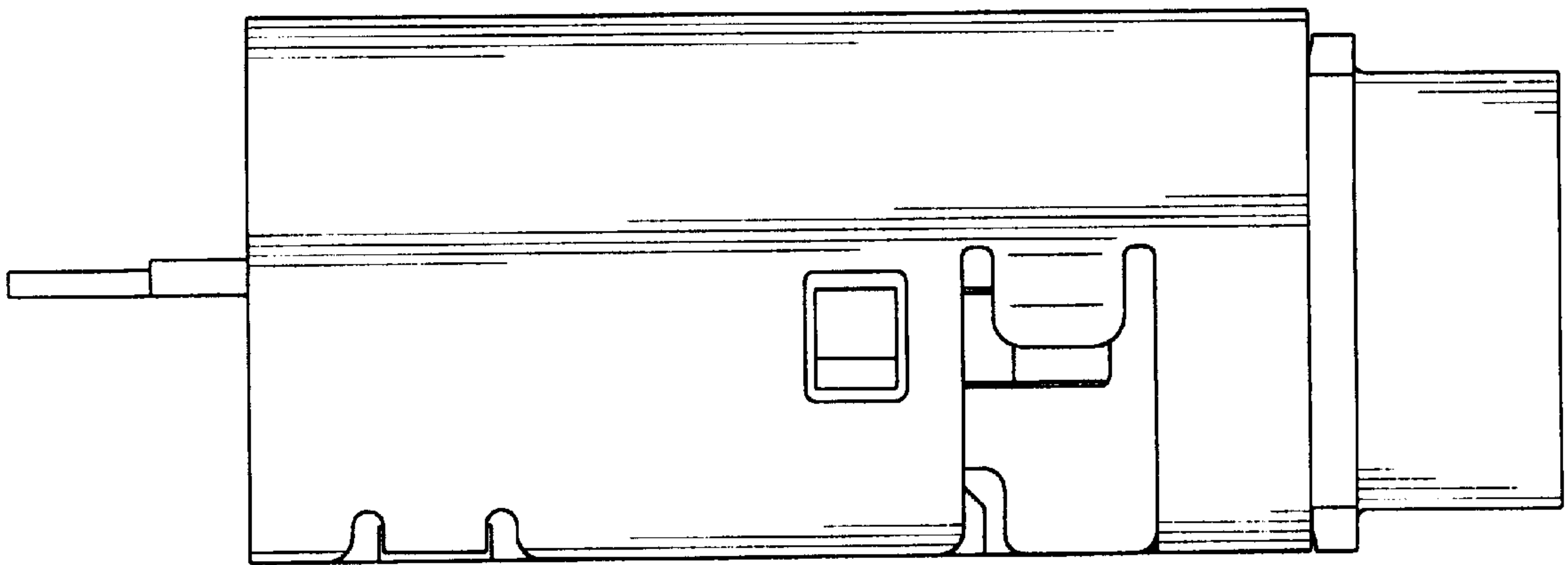


FIG. 4

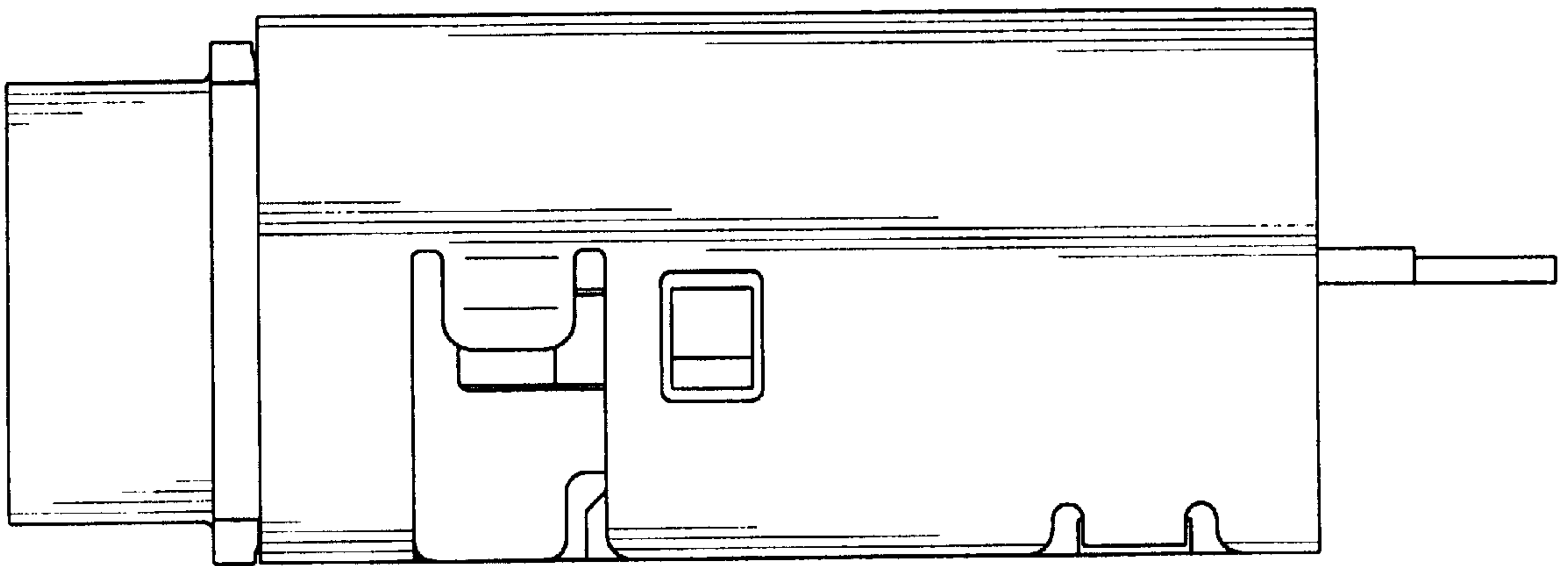


FIG. 5

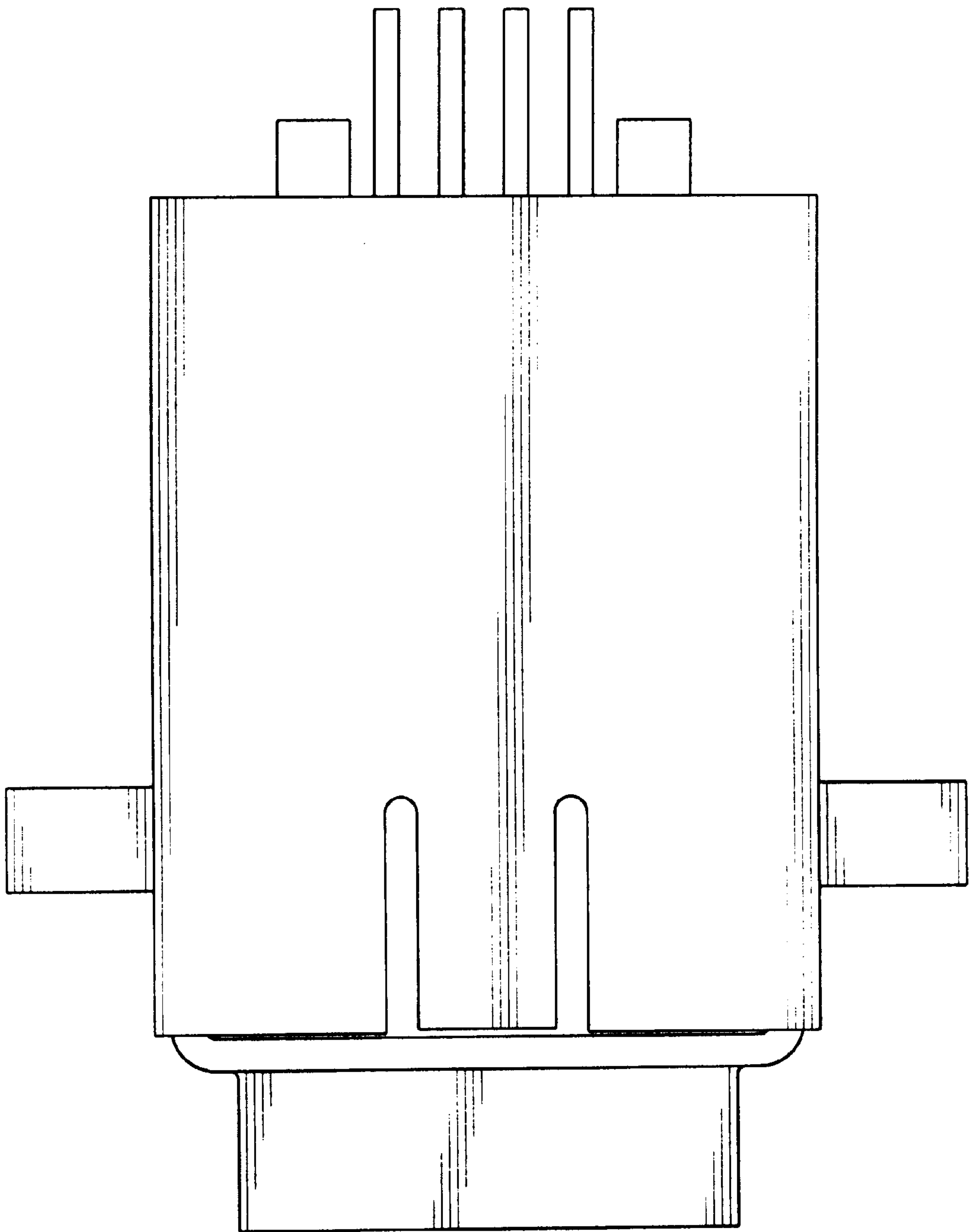


FIG. 6

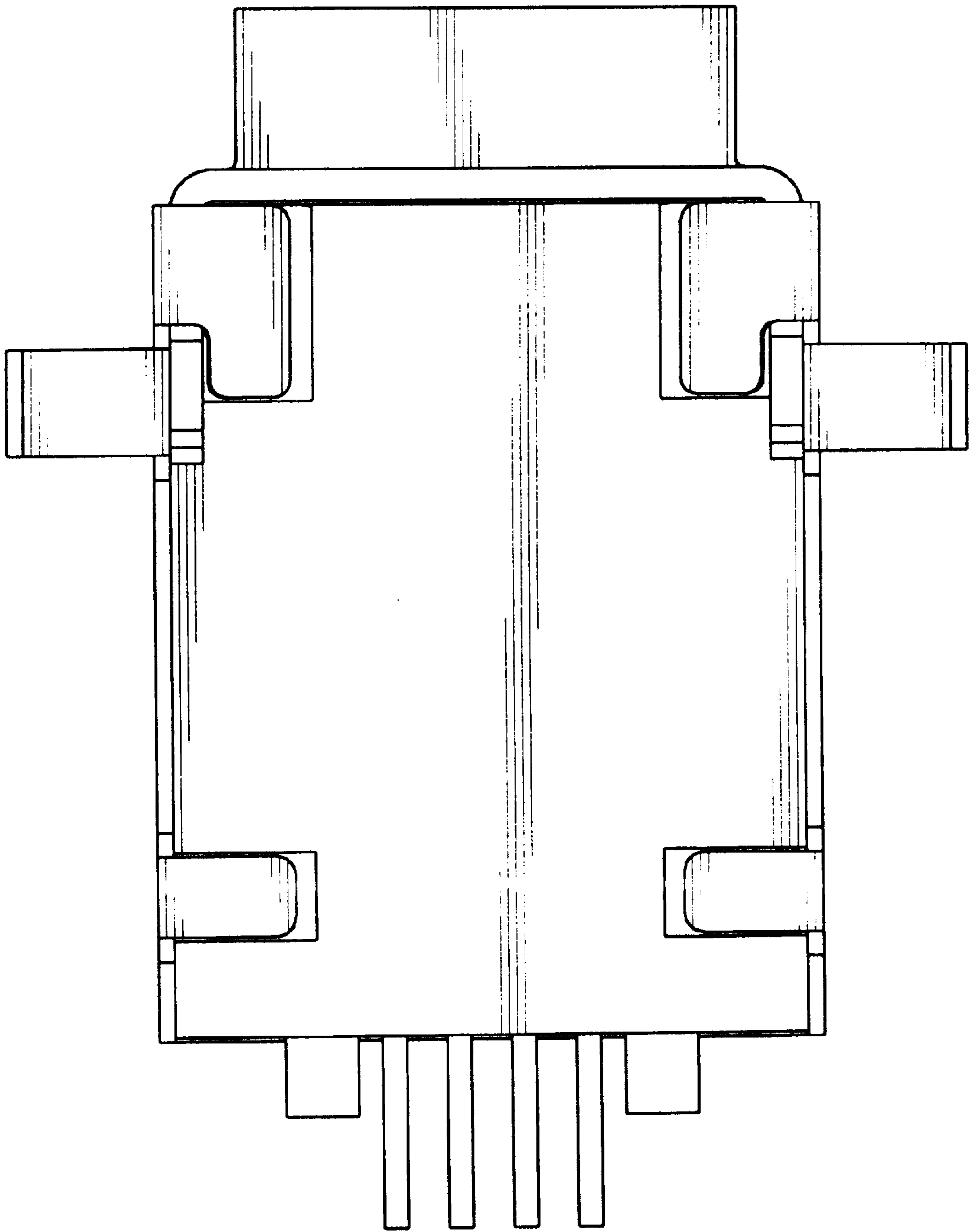


FIG. 7