



US00D433665S

**United States Patent** [19]  
**Huang**

[11] **Patent Number: Des. 433,665**

[45] **Date of Patent: \*\* Nov. 14, 2000**

[54] **ELECTRICAL CONNECTOR**

[75] Inventor: **Nan Tsung Huang**, Tu-Chen, Taiwan

[73] Assignee: **Hon Hai Precision Ind. Co., Ltd.**,  
Taipei Hsien, Taiwan

[\*\*] Term: **14 Years**

[21] Appl. No.: **29/117,674**

[22] Filed: **Jan. 27, 2000**

[30] **Foreign Application Priority Data**

Dec. 14, 1999 [TW] Taiwan ..... 088308174

[51] **LOC (7) Cl.** ..... **13-03**

[52] **U.S. Cl.** ..... **D13/147**

[58] **Field of Search** ..... D13/146, 147;  
439/607-610

[56] **References Cited**

**U.S. PATENT DOCUMENTS**

D. 375,722 11/1996 Morikawa et al. .... D13/147

D. 416,863 11/1999 Sato et al. .... D13/147  
D. 417,433 12/1999 Katoh ..... D13/147  
D. 425,027 5/2000 Nishio et al. .... D13/147  
D. 427,567 7/2000 Nishio et al. .... D13/147

*Primary Examiner*—Joel Sincavage  
*Attorney, Agent, or Firm*—Wei Te Chung

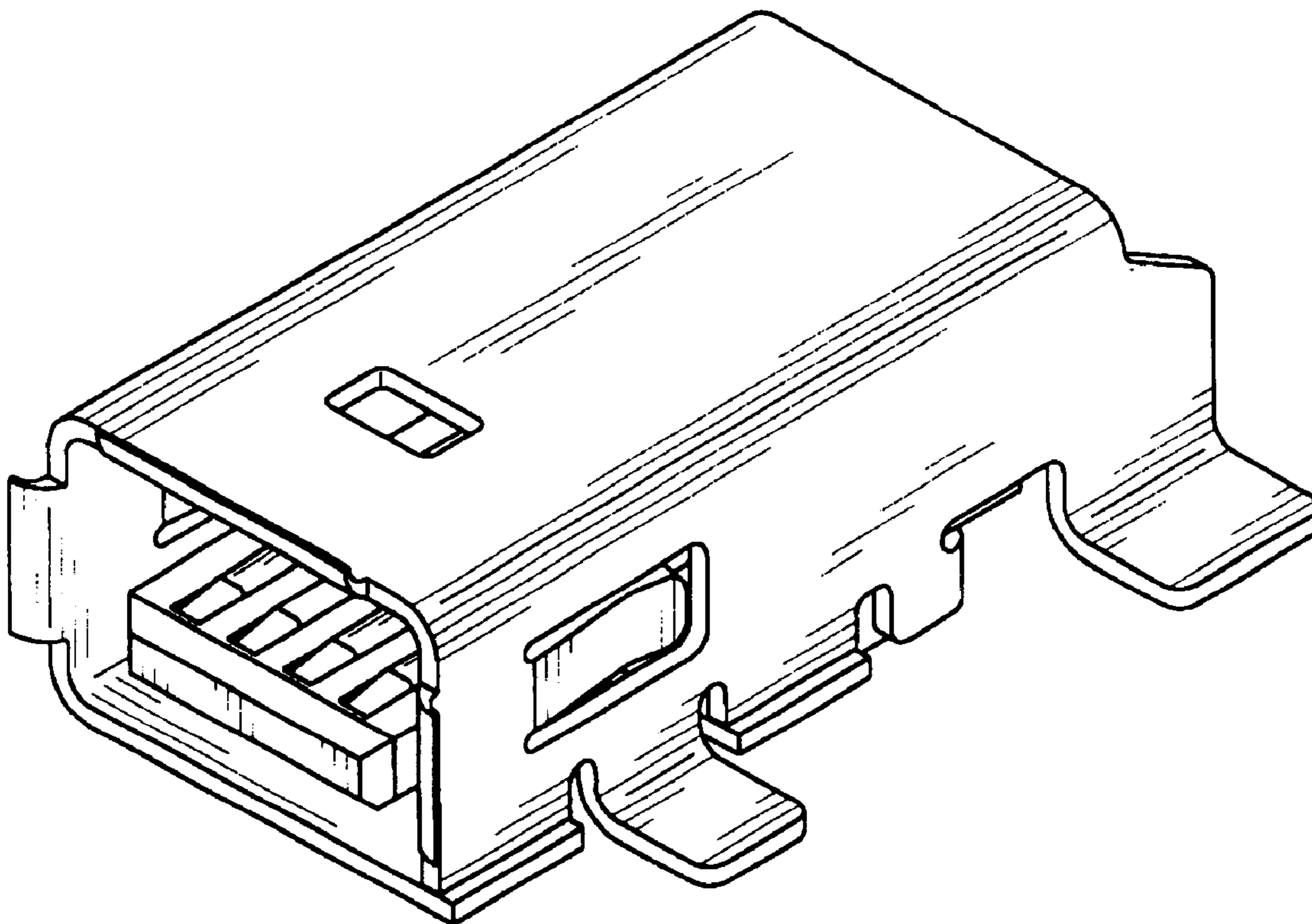
[57] **CLAIM**

The ornamental design for an electrical connector, as shown.

**DESCRIPTION**

FIG. 1 is a front, top and right side perspective view of an electrical connector showing my new design;  
FIG. 2 is a front elevational view thereof;  
FIG. 3 is a rear elevational view thereof;  
FIG. 4 is a left side elevational view thereof;  
FIG. 5 is a right side elevational view thereof;  
FIG. 6 is a top plan view thereof; and,  
FIG. 7 is a bottom plan view thereof.

**1 Claim, 5 Drawing Sheets**



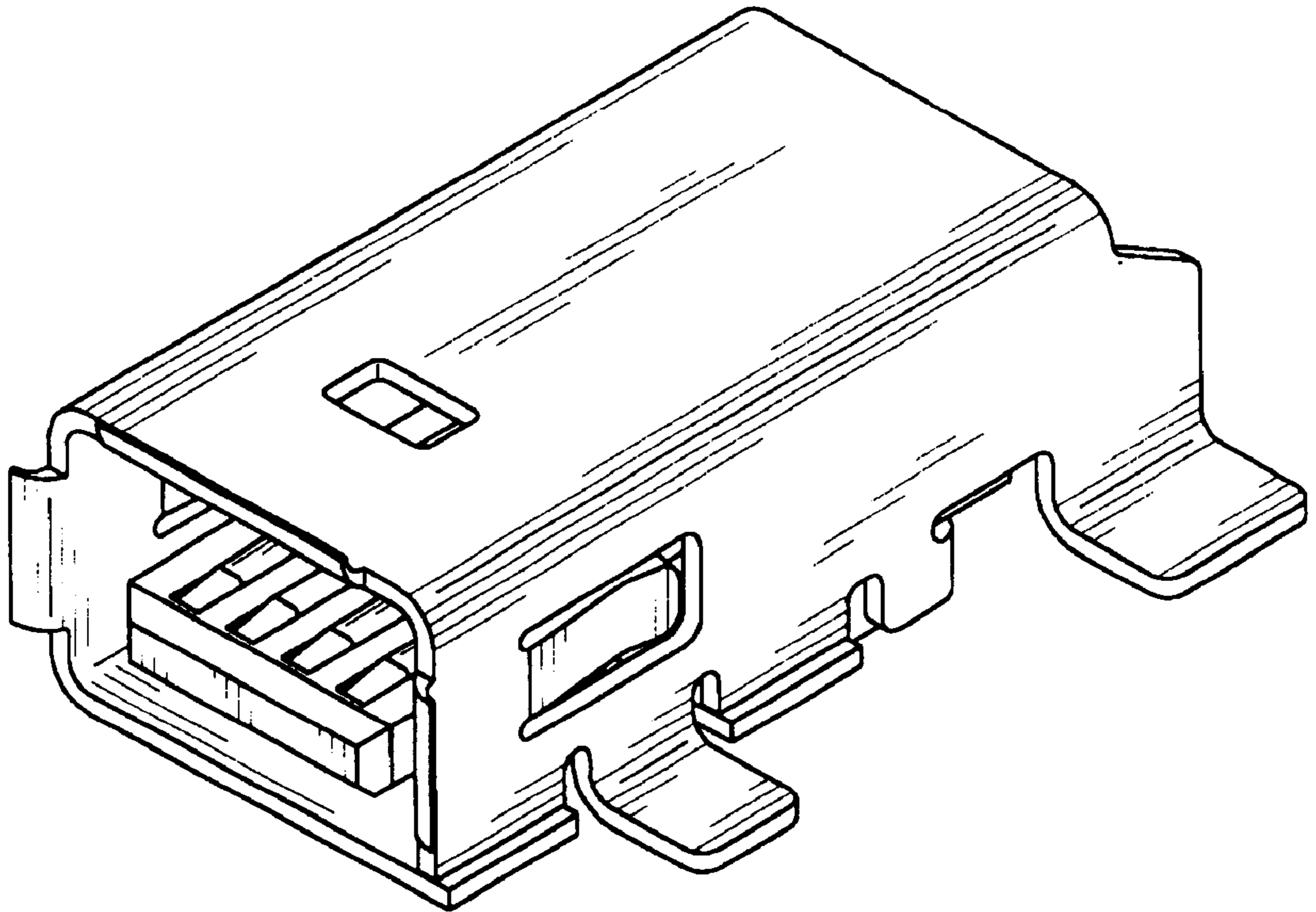


FIG. 1

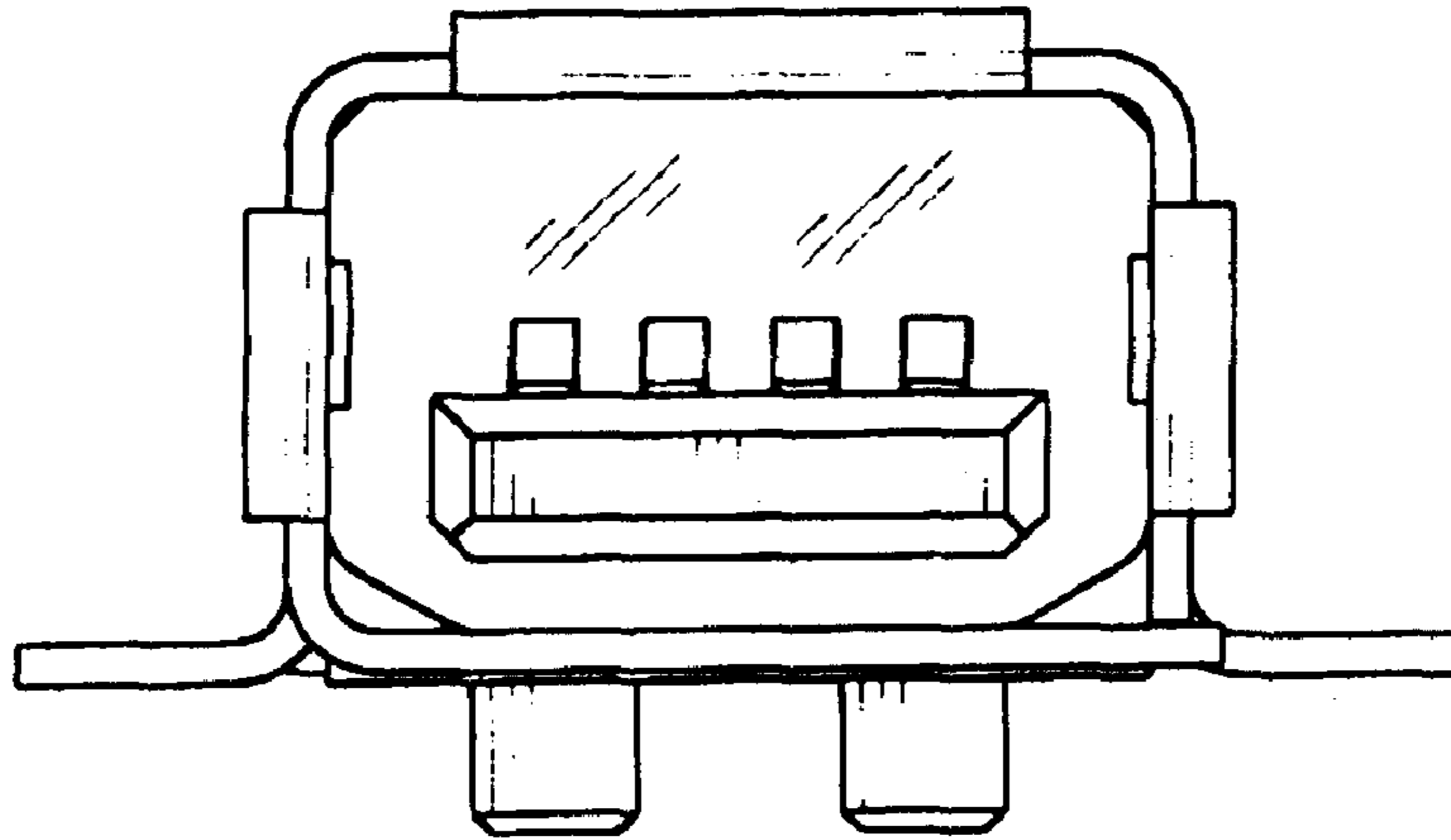


FIG. 2

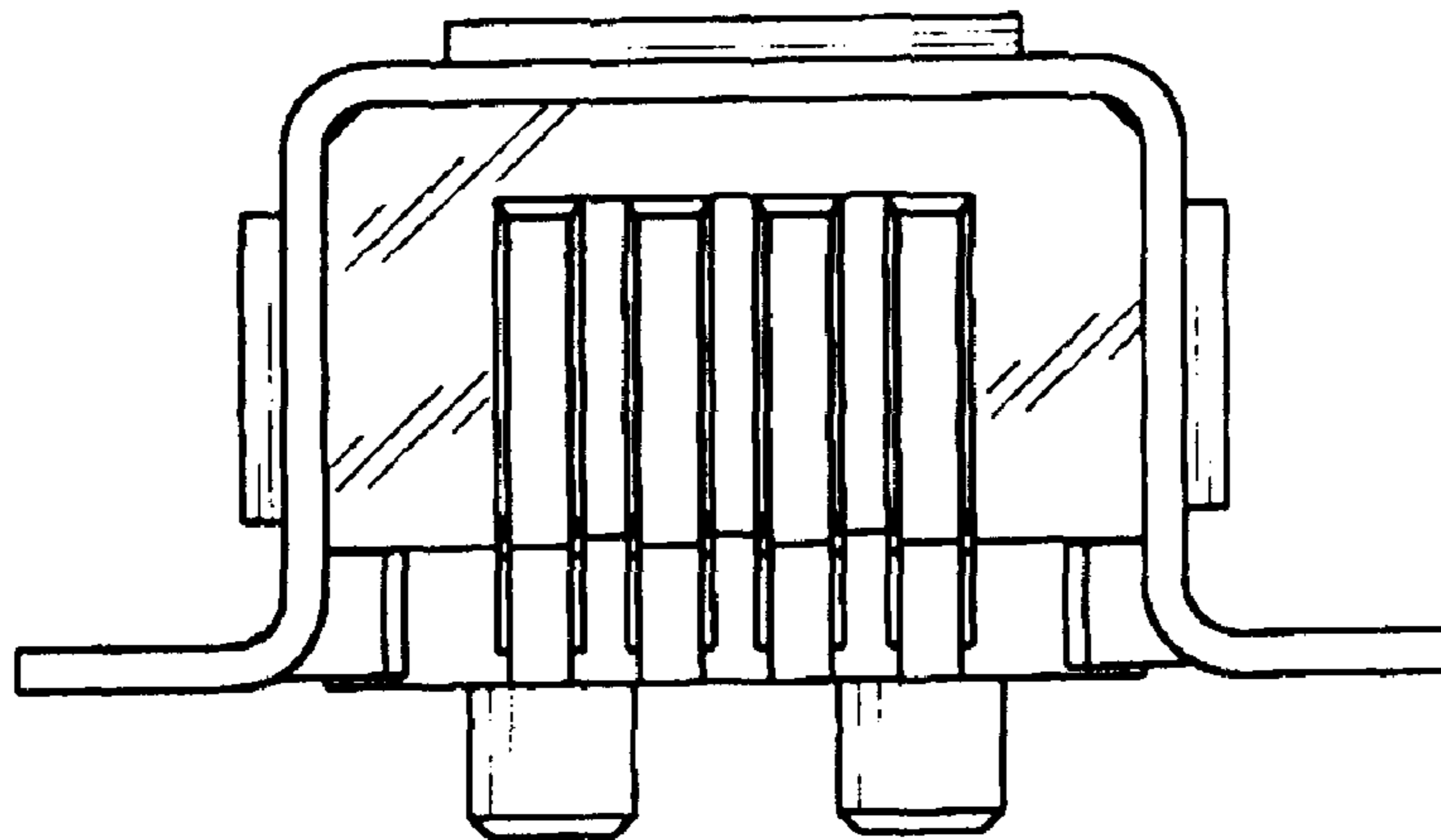


FIG. 3

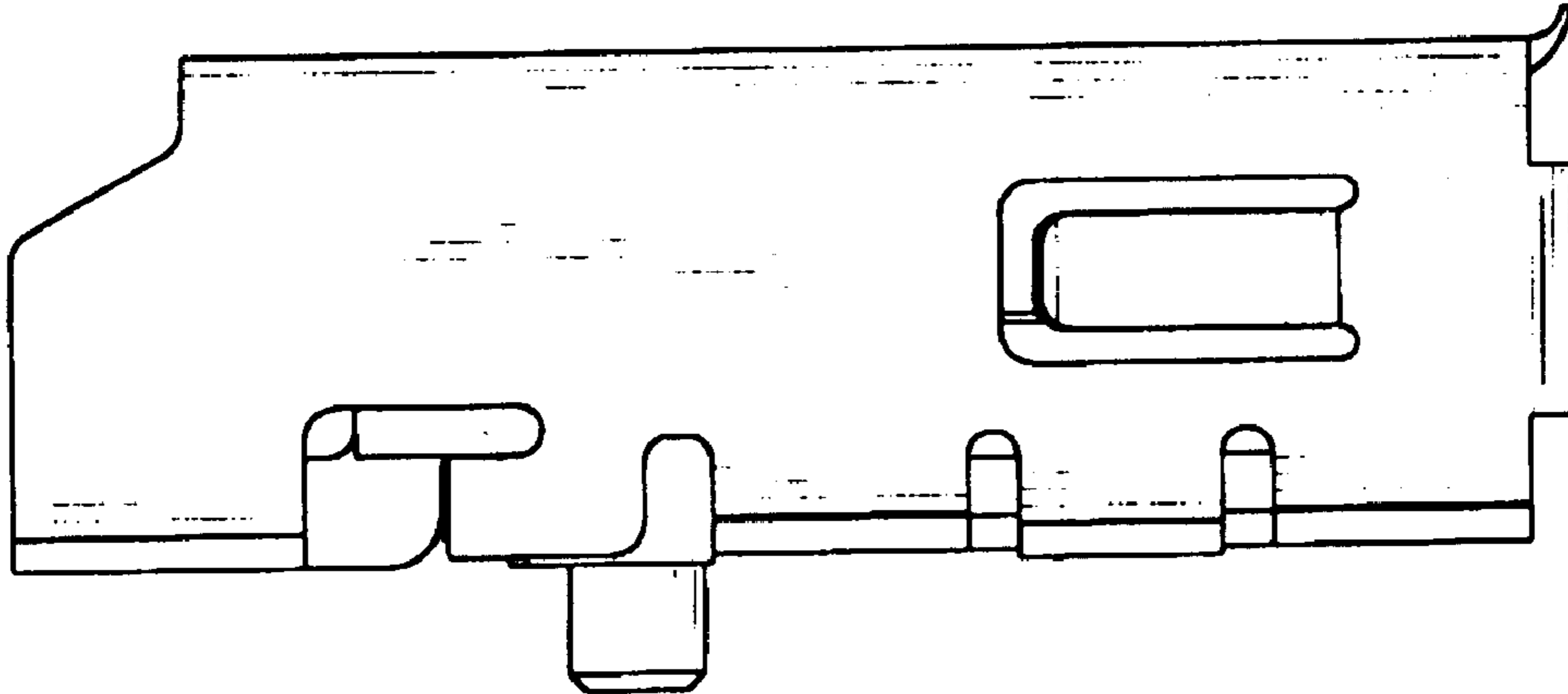


FIG. 4

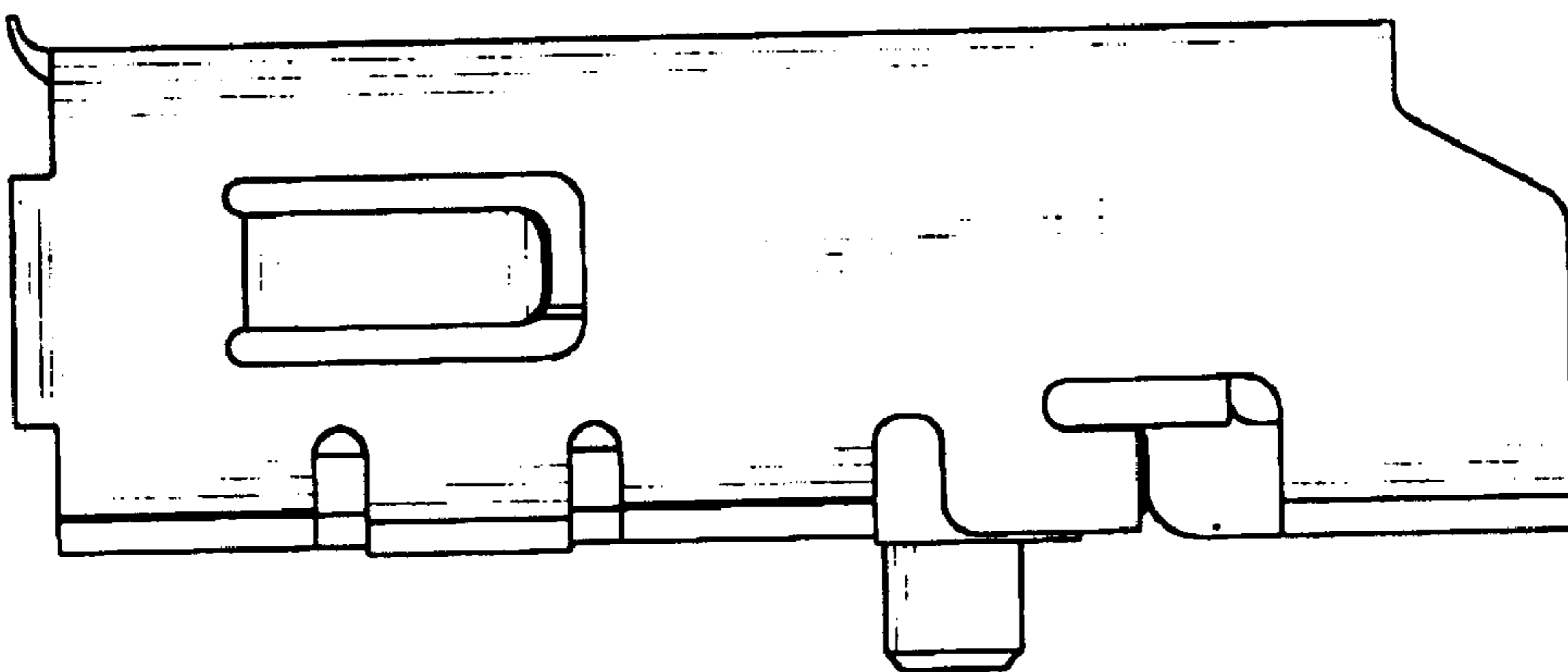


FIG. 5

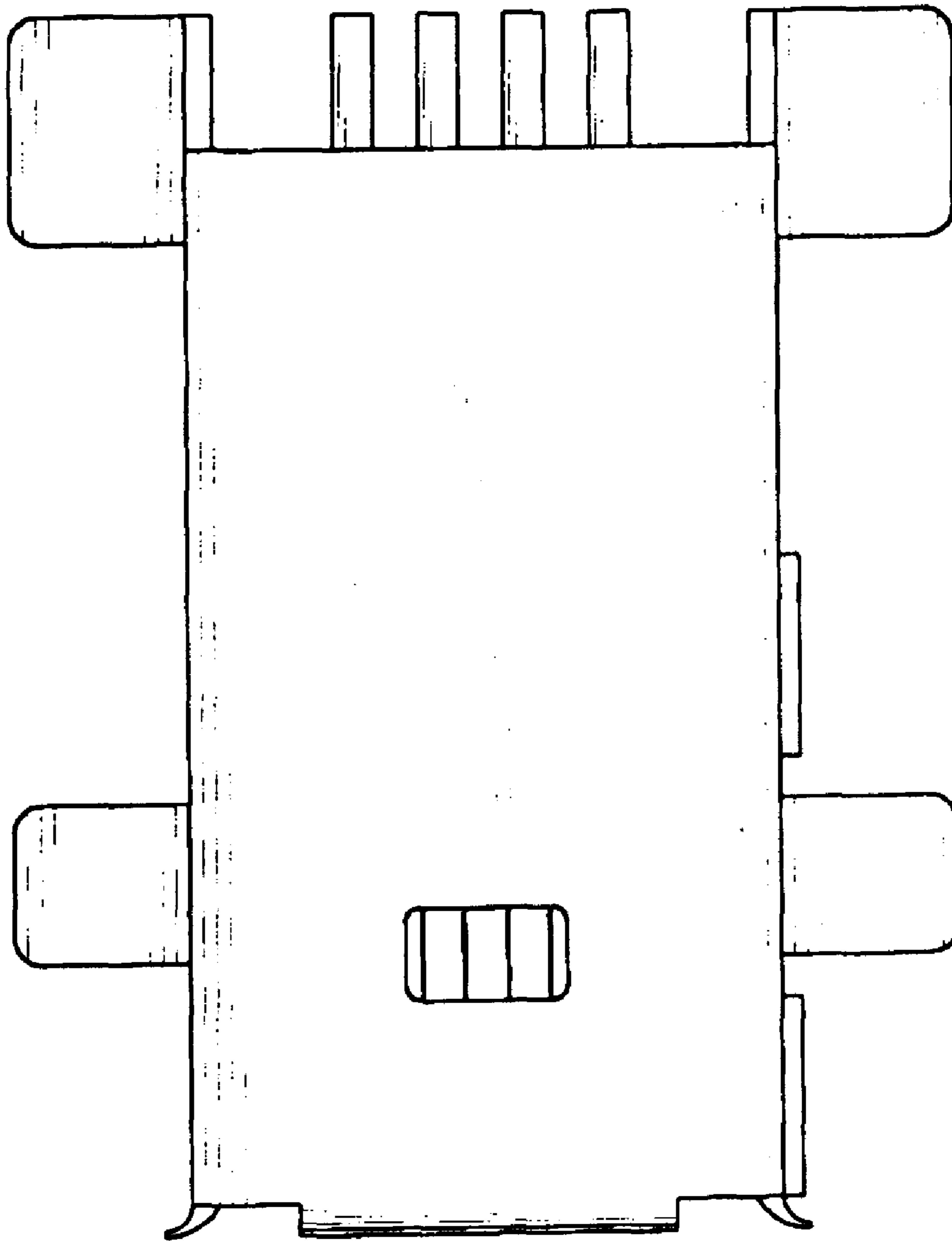


FIG. 6

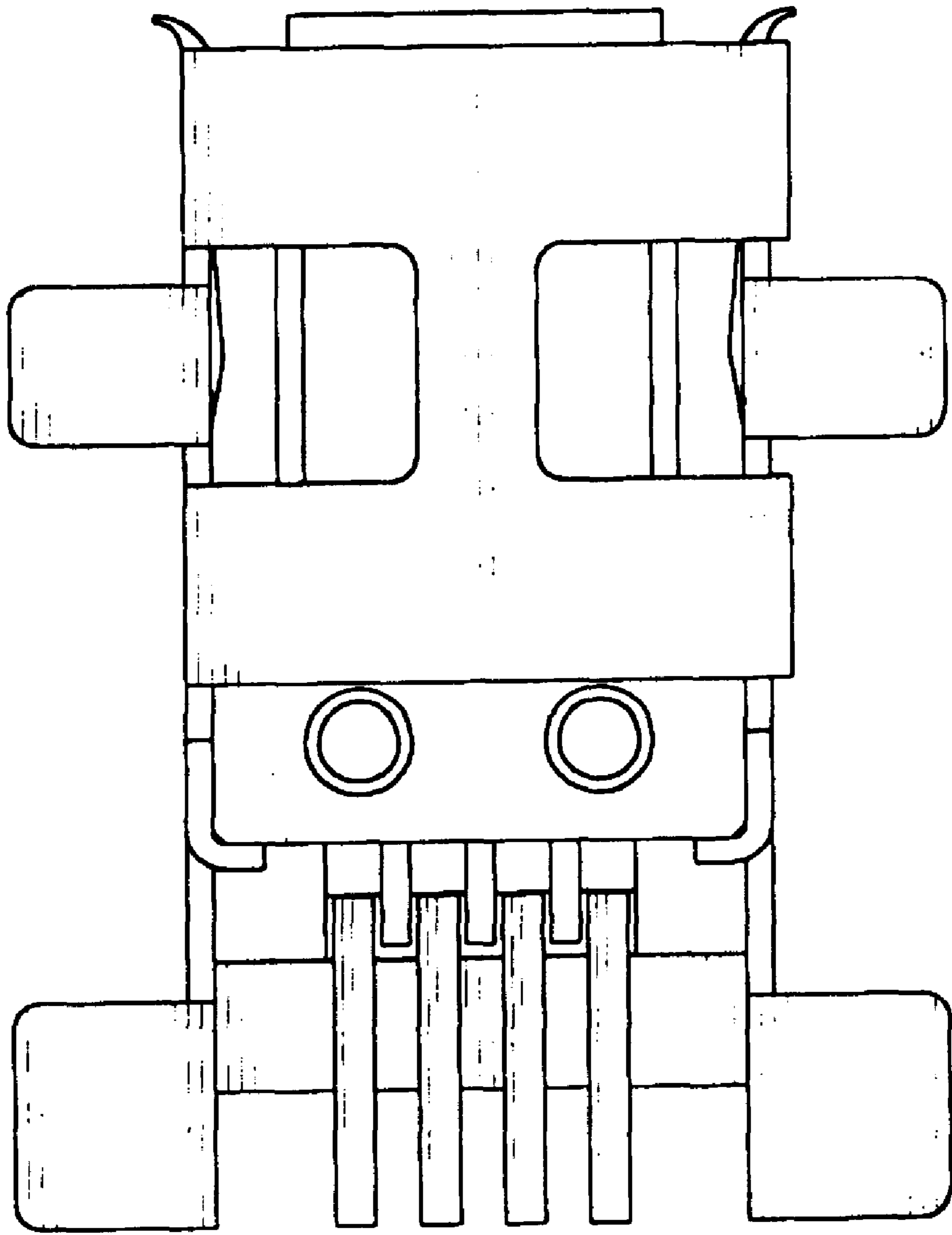


FIG. 7