



US00D433663S

# United States Patent [19] Bergh

[11] **Patent Number: Des. 433,663**

[45] **Date of Patent: \*\* Nov. 14, 2000**

[54] **VEHICLE GLOVE BOX ORGANIZER**

[75] Inventor: **James Allen Bergh**, Boulder, Colo.

[73] Assignee: **Case Logic, Inc.**, Longmont, Colo.

[\*\*] Term: **14 Years**

[21] Appl. No.: **29/097,539**

[22] Filed: **Dec. 9, 1998**

[51] **LOC (7) Cl. .... 12-16**

[52] **U.S. Cl. .... D12/415**

[58] **Field of Search** ..... D12/400, 415,  
D12/423; D3/225, 226, 230, 232, 239,  
242, 243, 247, 251-253, 221; 224/158,  
901, 901.2, 901.4, 901.6; 150/112, 118,  
131, 143, 144; 206/538; 296/37.1, 37.8,  
37.12-37.16

[56] **References Cited**

**U.S. PATENT DOCUMENTS**

D. 312,351	11/1990	Bishop	.....	D3/230
D. 323,744	2/1992	Casale	.....	D3/232 X
D. 323,937	2/1992	Solomon	.....	D3/232 X
D. 364,038	11/1995	Stanchin	.....	D3/230
D. 410,331	6/1999	Hamilton	.....	D3/221
5,020,673	6/1991	Adams	.....	206/581

**OTHER PUBLICATIONS**

Axius Compact Glove Box Organizer, 1997.  
Axius Glove Box Organizer, 1996.  
Samsonite Glove Box Organizer, Model 229, 1997.

Samsonite Traveller's Organizer, Model 629G, 1997.  
On The Road Glove Box Organizer (Apr. 1998).  
Mapcase Map Organizer (no date).  
Franzus Travel Smart Auto Document Organizer (no date).  
Axius Glove Box Travel Organizer, 1998.

*Primary Examiner*—Stacia Cadmus  
*Attorney, Agent, or Firm*—Sheridan Ross P.C.

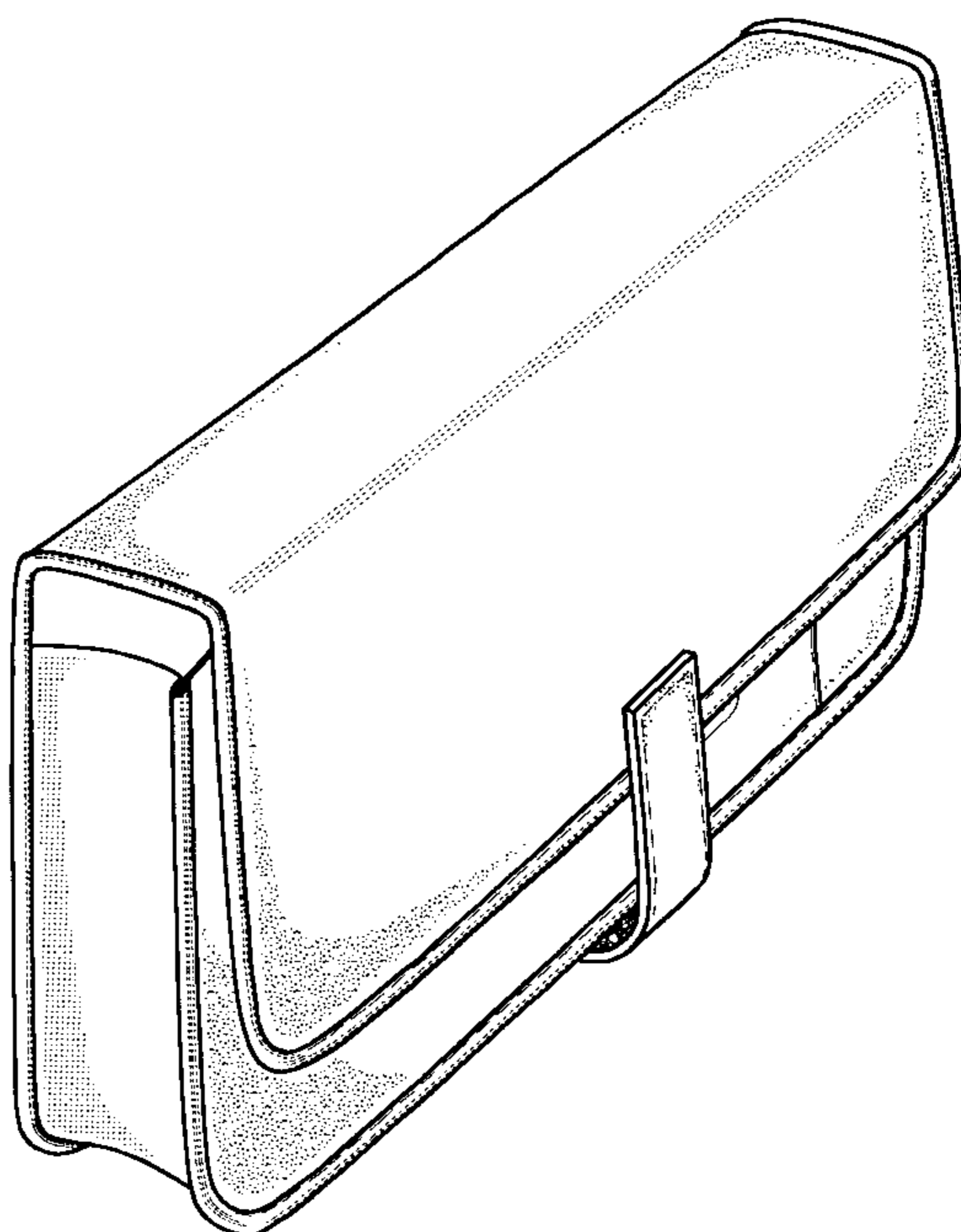
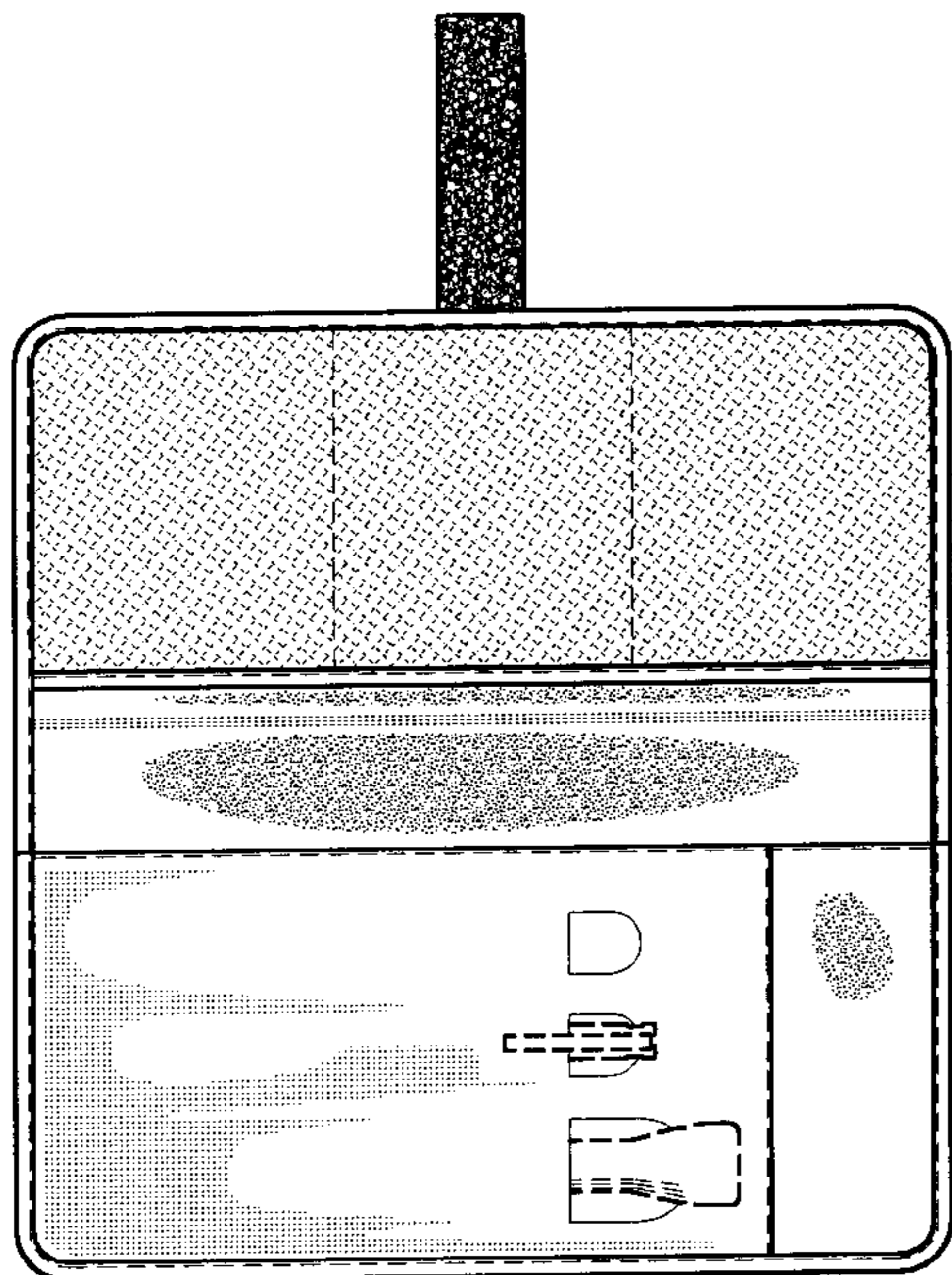
[57] **CLAIM**

The ornamental design for a vehicle glove box organizer, as shown and described.

**DESCRIPTION**

FIG. 1 is a front elevation view of a vehicle glove box organizer, showing my new design;  
FIG. 2 is a left elevation view of the vehicle glove box organizer illustrated in FIG. 1.  
FIG. 3 is a right elevation view of the vehicle glove box organizer illustrated in FIG. 1;  
FIG. 4 is a rear elevation view of the vehicle glove box organizer illustrated in FIG. 1;  
FIG. 5 is a bottom plan view of the vehicle glove box organizer illustrated in FIG. 1;  
FIG. 6 is a top plan view of the vehicle glove box organizer illustrated in FIG. 1; and,  
FIG. 7 is a left perspective elevational view of the vehicle glove box organizer illustrated in FIG. 1, depicted in a closed position.  
The broken line showing environment is for illustrative purposes only and forms no part of the claimed design.

**1 Claim, 3 Drawing Sheets**



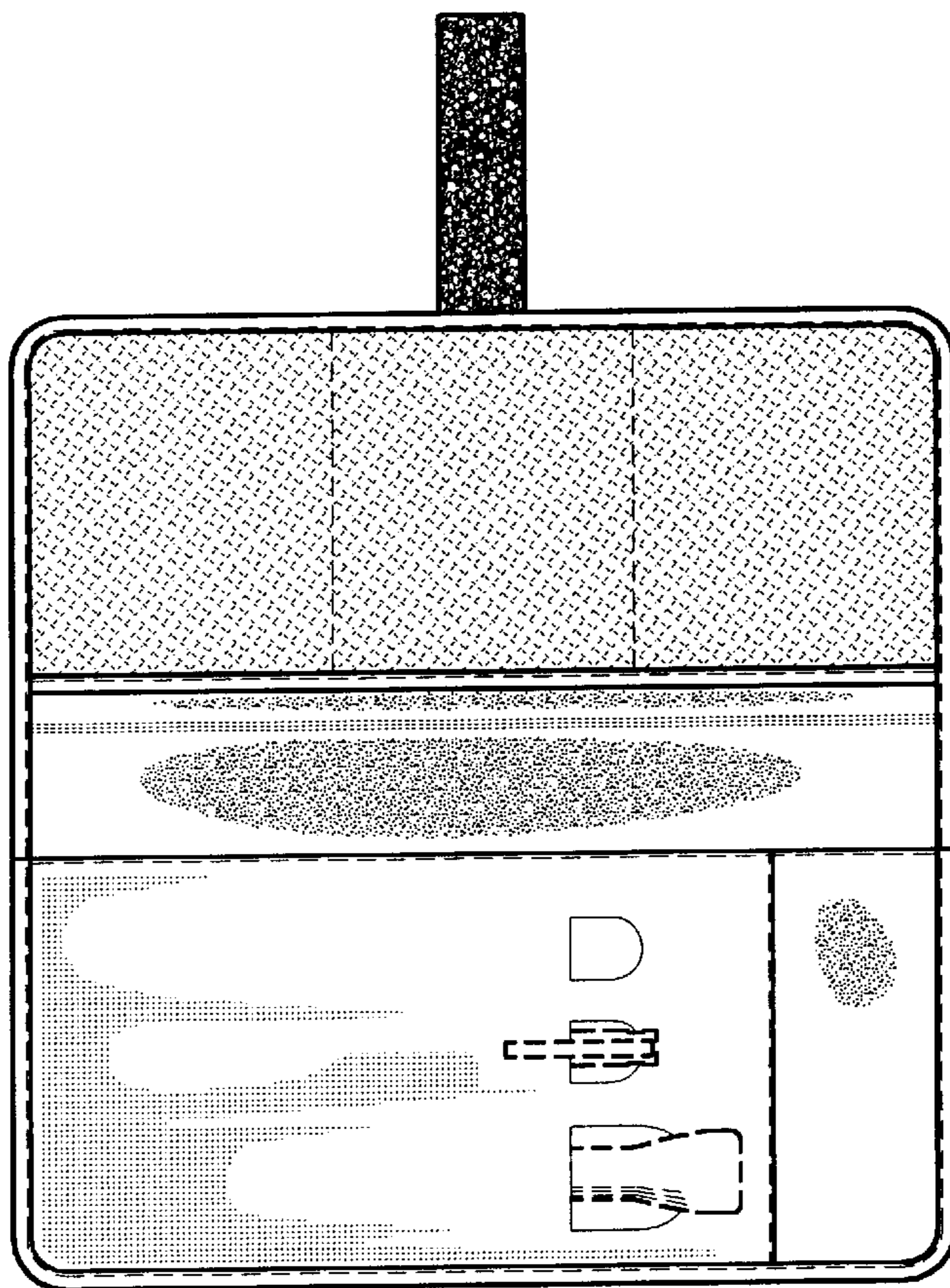


FIG. 1

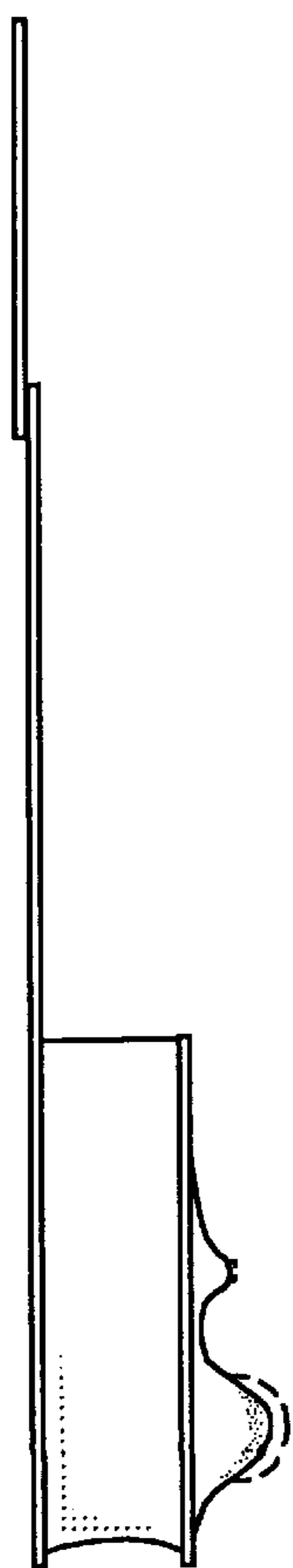


FIG. 2



FIG. 3

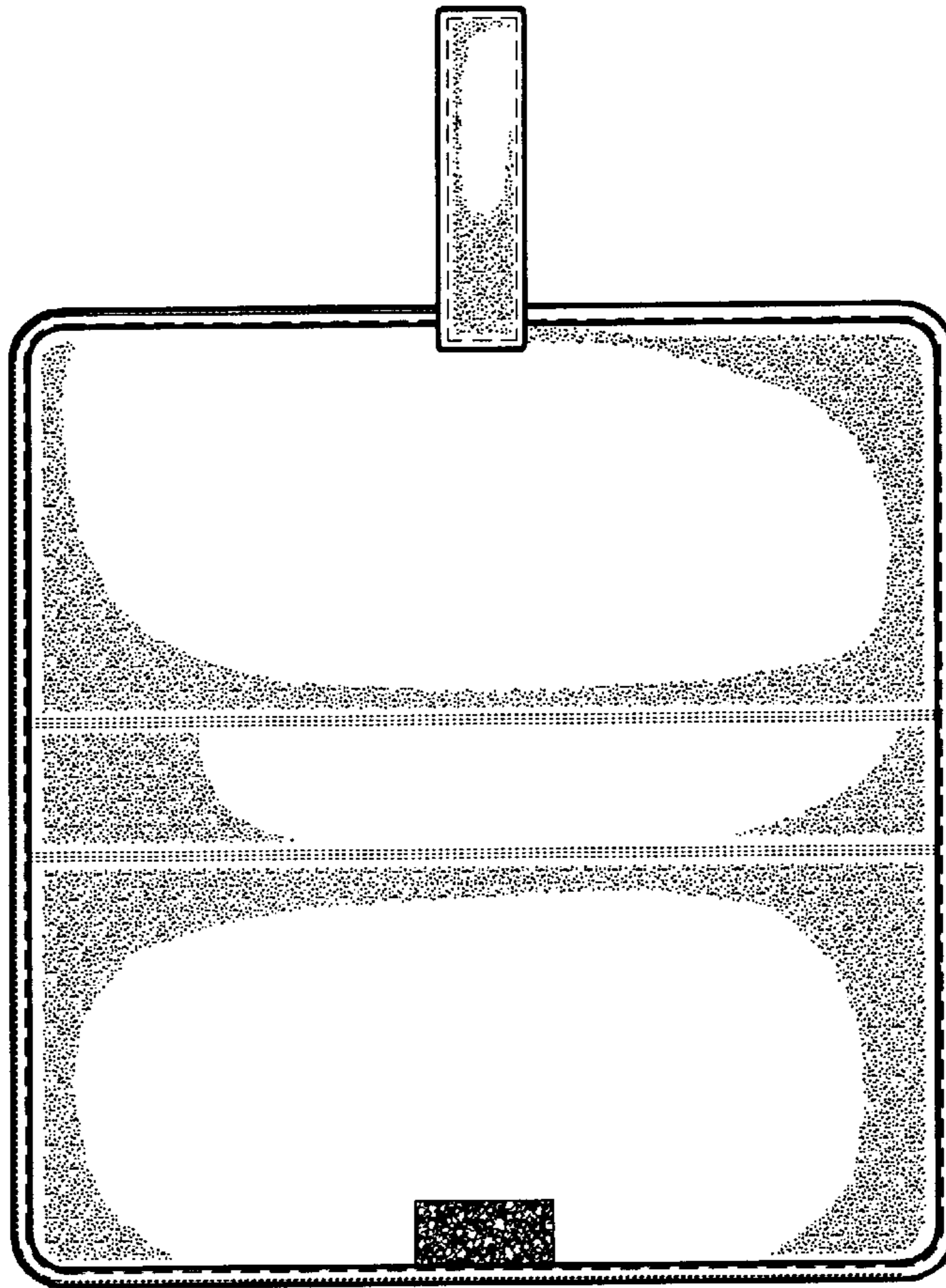


FIG. 4

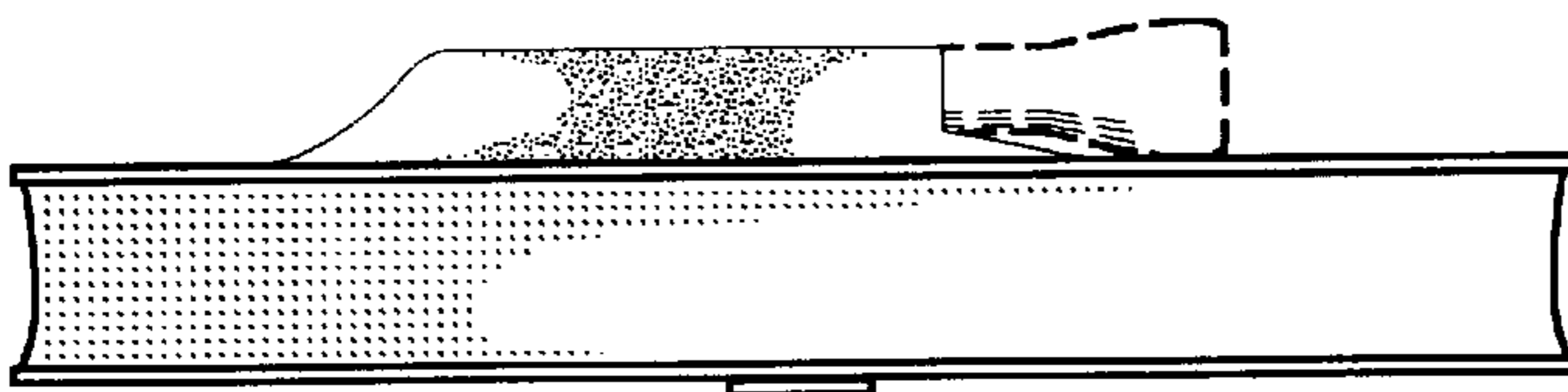


FIG. 5

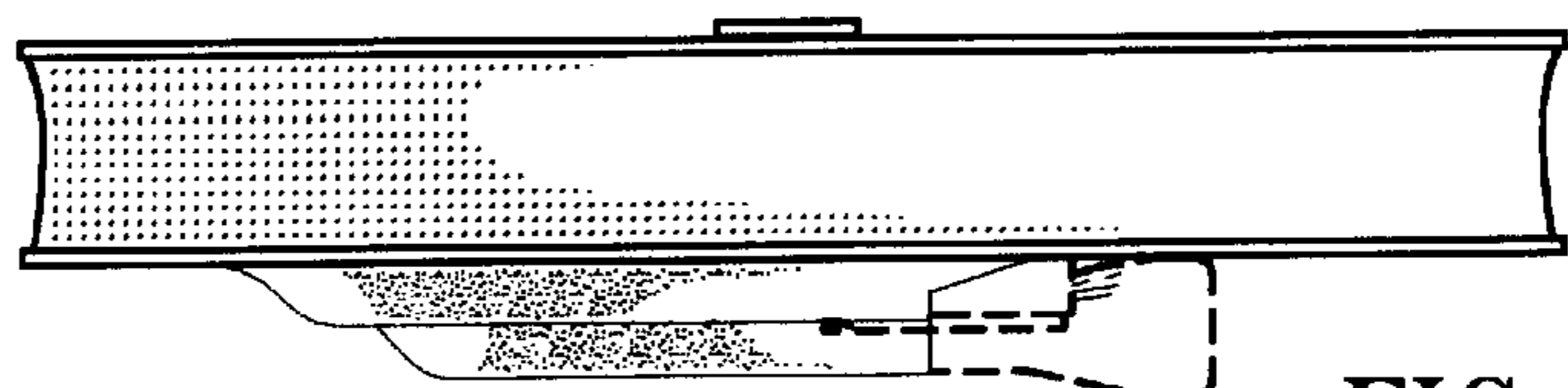


FIG. 6

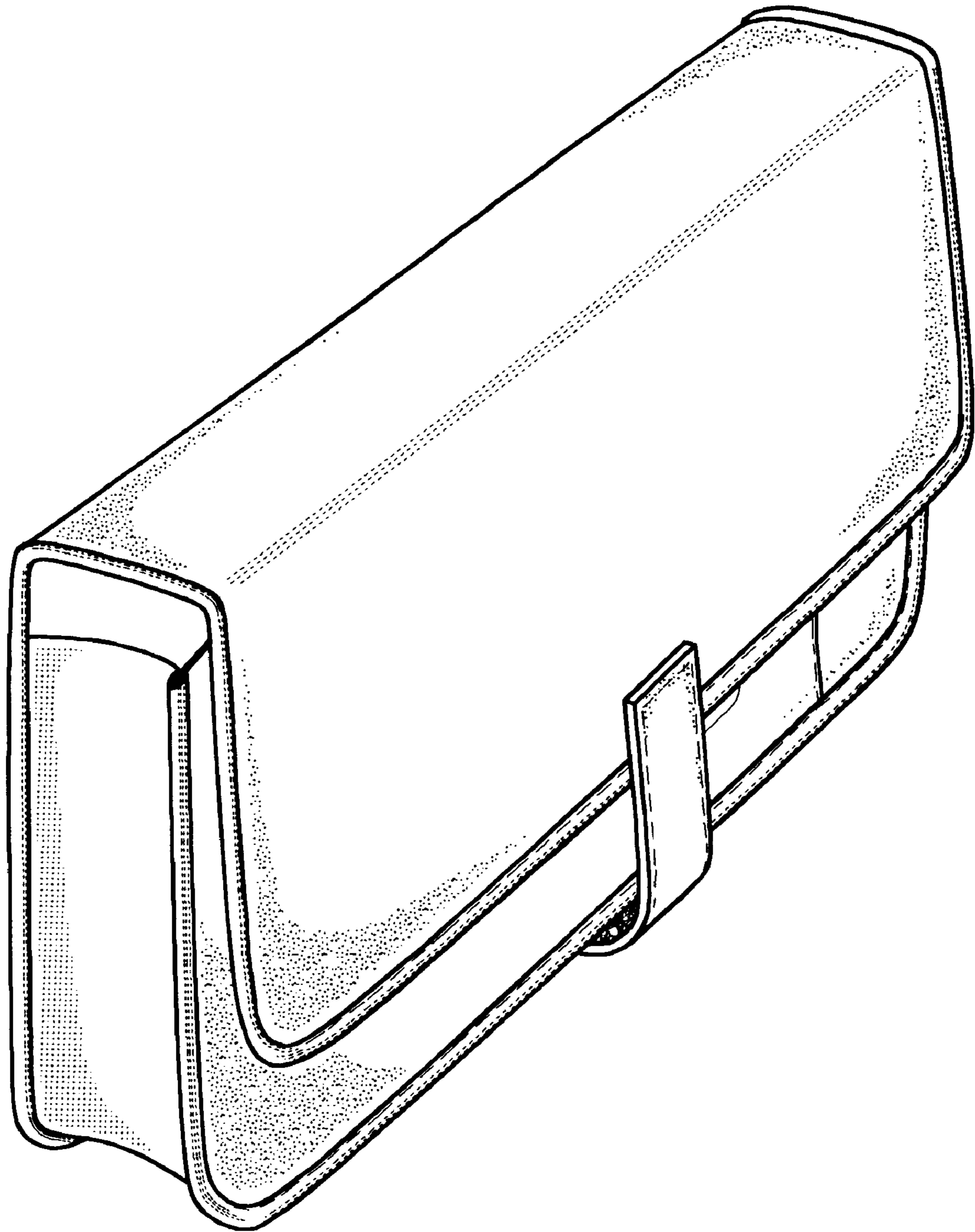


FIG. 7