



US00D433659S

United States Patent [19] Frizzi

[11] Patent Number: Des. 433,659

[45] Date of Patent: ** Nov. 14, 2000

[54] FRONT FACE OF A VEHICLE WHEEL

[75] Inventor: Roberto Frizzi, Brescia, Italy

[73] Assignee: Bayerische Motoren Werke Aktiengesellschaft, Germany

[**] Term: 14 Years

[21] Appl. No.: 29/110,326

[22] Filed: Sep. 1, 1999

[30] Foreign Application Priority Data

Mar. 6, 1999 [DE] Germany 4 99 02 566

[51] LOC (7) Cl. 12-16

[52] U.S. Cl. D12/211

[58] Field of Search D12/204-211;
301/37.1, 64.1, 65

[56] References Cited

U.S. PATENT DOCUMENTS

| | | | | |
|------------|--------|----------|-------|---------|
| D. 361,547 | 8/1995 | Weld | | D12/211 |
| D. 380,432 | 7/1997 | Hettler | | D12/209 |
| D. 391,215 | 2/1998 | Cervati | | D12/209 |
| D. 391,543 | 3/1998 | Renkert | | D12/209 |
| D. 398,573 | 9/1998 | Cattaneo | | D12/211 |

| | | | | |
|------------|---------|--------------|-------|---------|
| D. 399,470 | 10/1998 | Sacco et al. | | D12/209 |
| D. 403,649 | 1/1999 | Moreno | | D12/211 |
| D. 412,692 | 8/1999 | Hussaini | | D12/209 |
| D. 416,848 | 11/1999 | Bernoni | | D12/209 |

Primary Examiner—Stacia Cadmus
Attorney, Agent, or Firm—Evenson, McKeown, Edwards & Lenahan, P.L.L.C.

[57] CLAIM

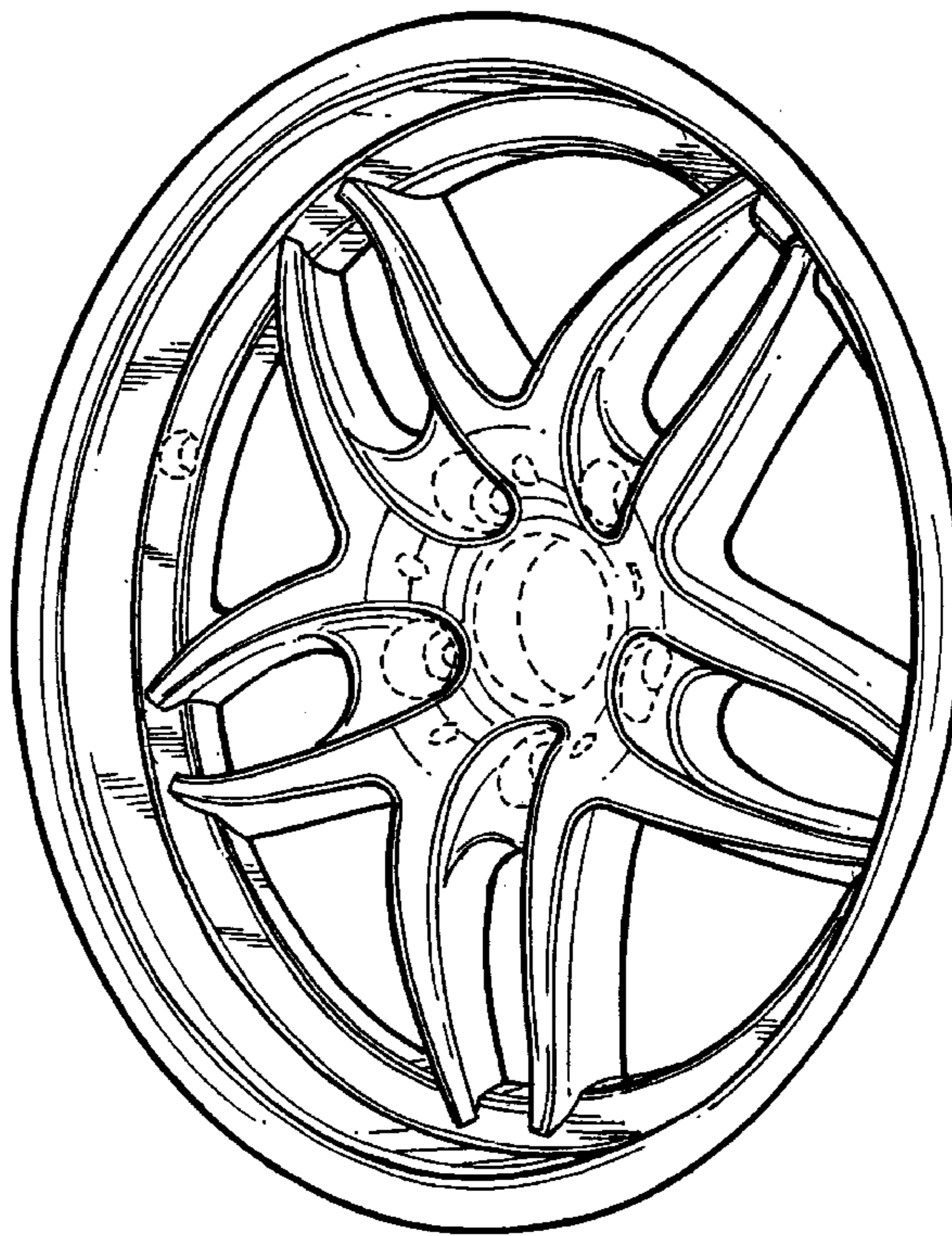
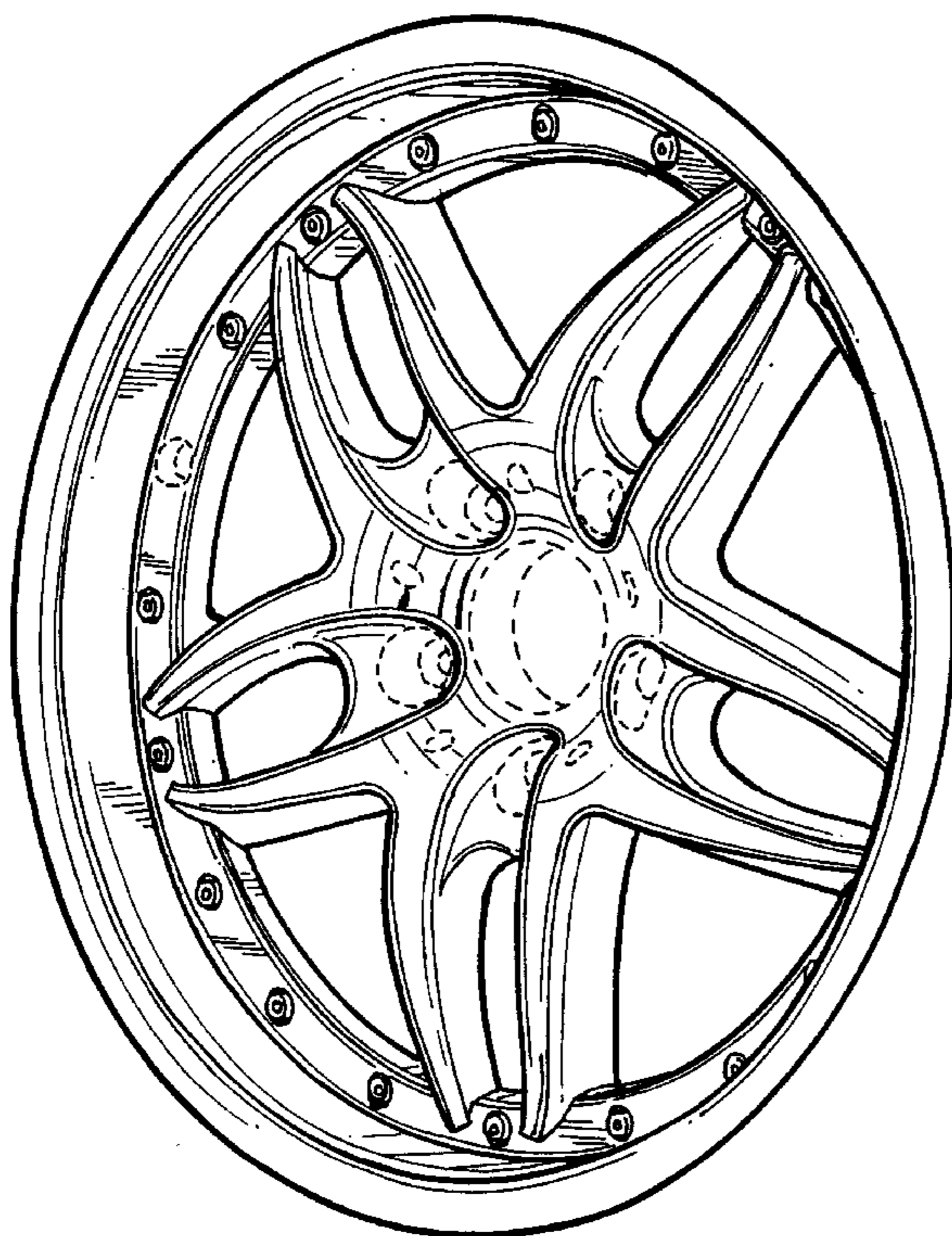
The ornamental design for a front face of a vehicle wheel, as shown and described.

DESCRIPTION

FIG. 1 is a front view of a first embodiment of a front face of a vehicle wheel according to my novel design; FIG. 2 is a perspective view of the first embodiment of the front face of a vehicle wheel according to my novel design; FIG. 3 is a front view of a second embodiment of the front face of a vehicle wheel according to my novel design; and, FIG. 4 is a perspective view of the second embodiment of the front face of a vehicle wheel according to my novel design.

The dash lines included depict environment and are not part of the claimed design.

1 Claim, 2 Drawing Sheets



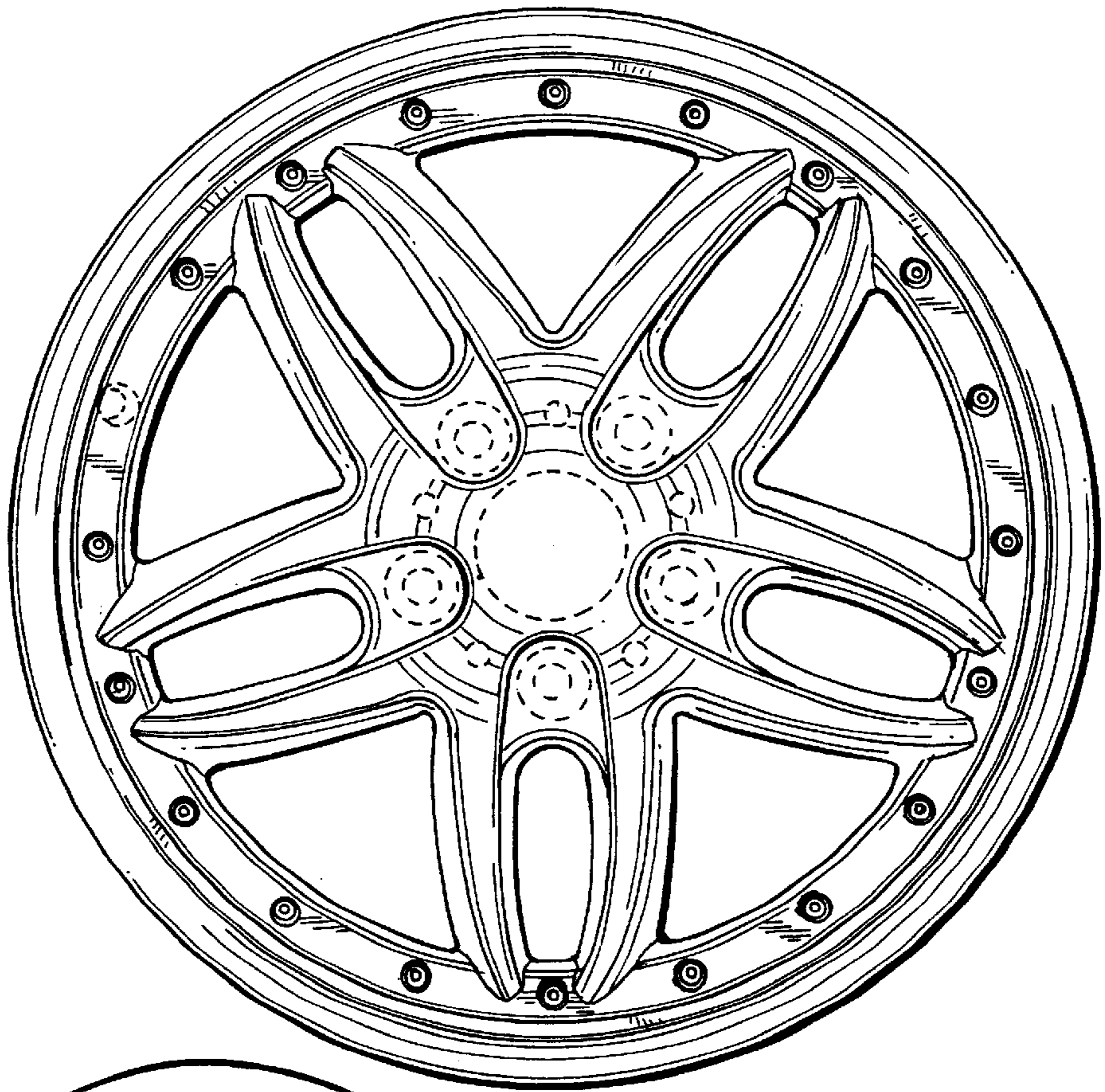


FIG. 1

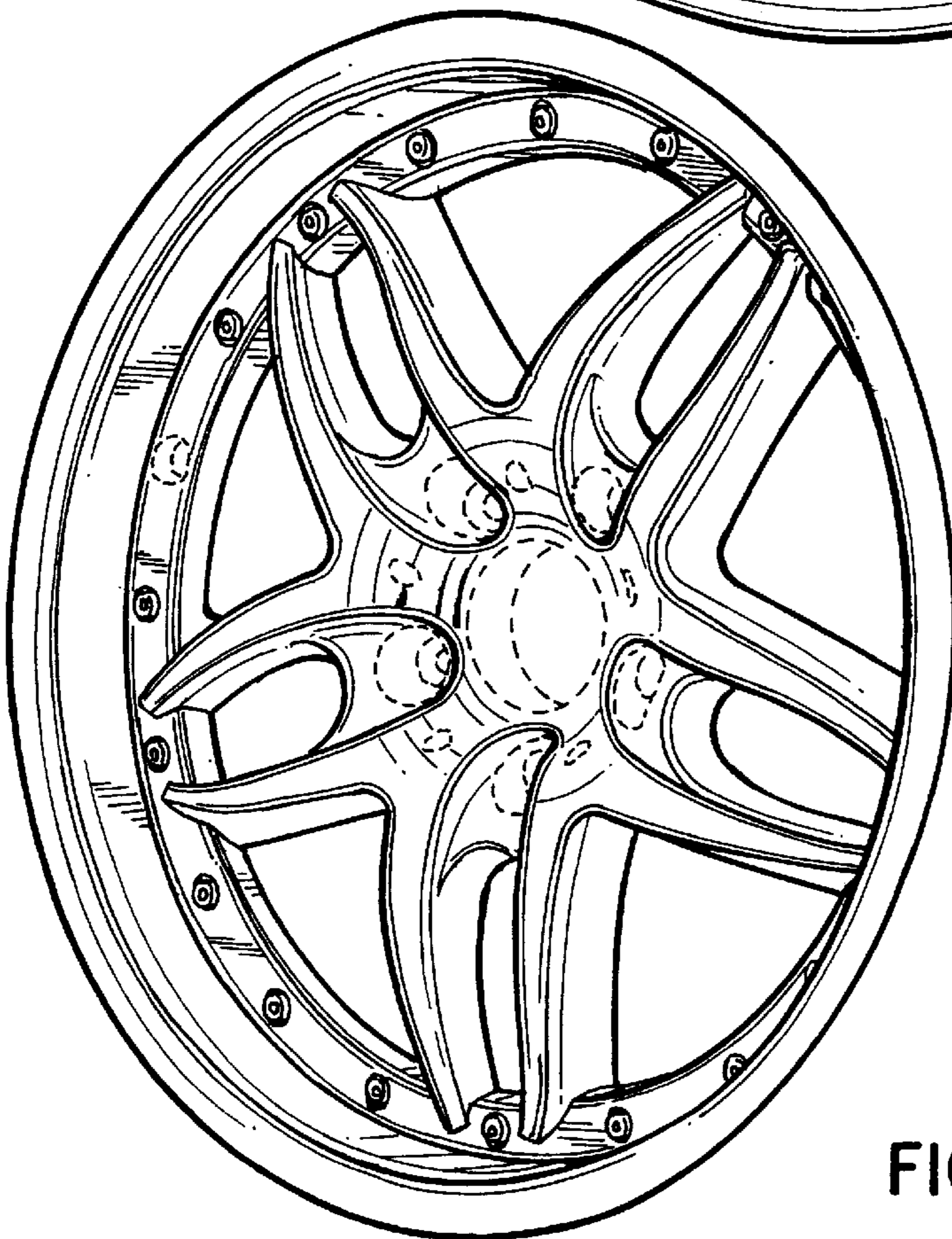


FIG. 2

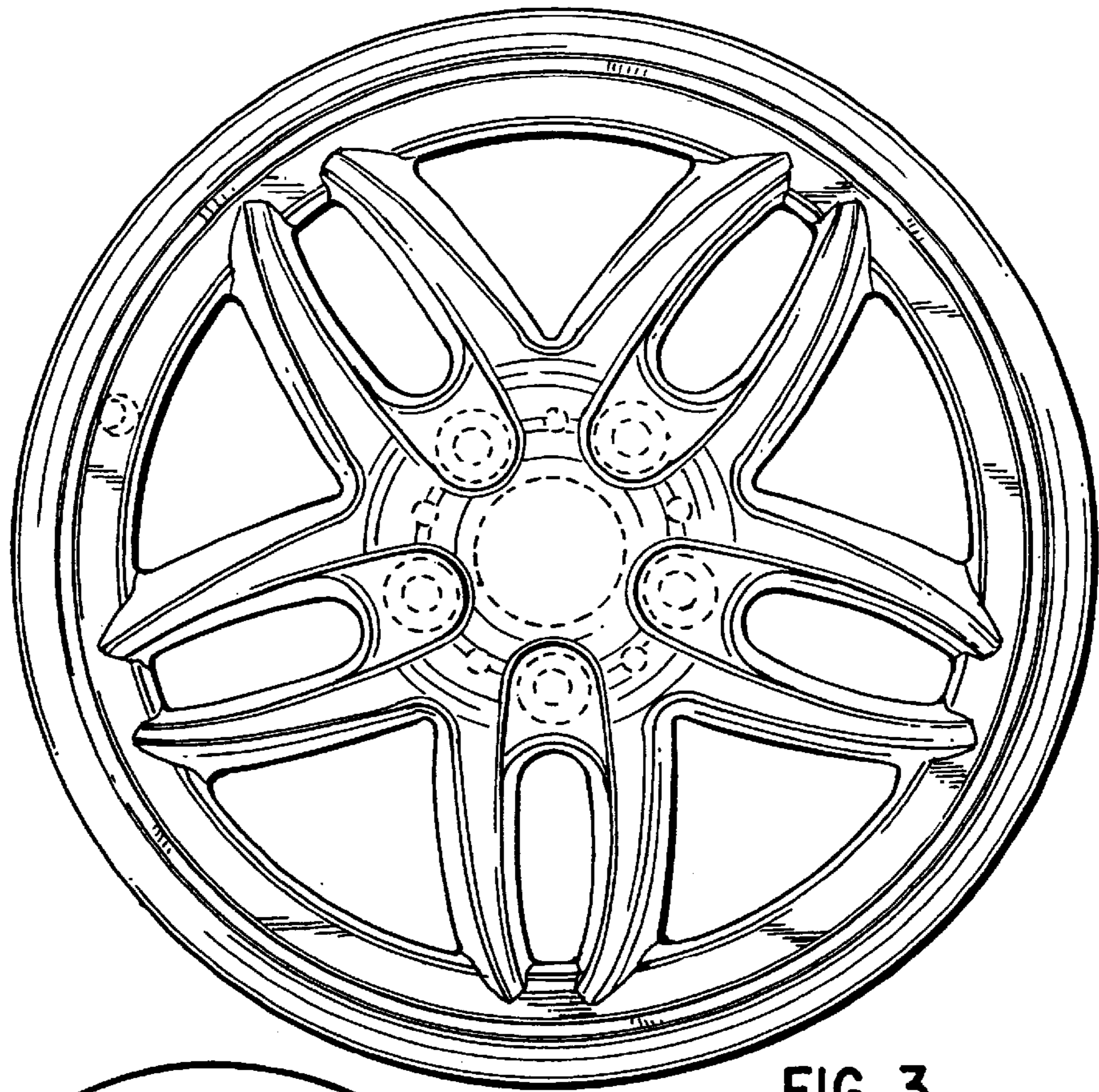


FIG. 3

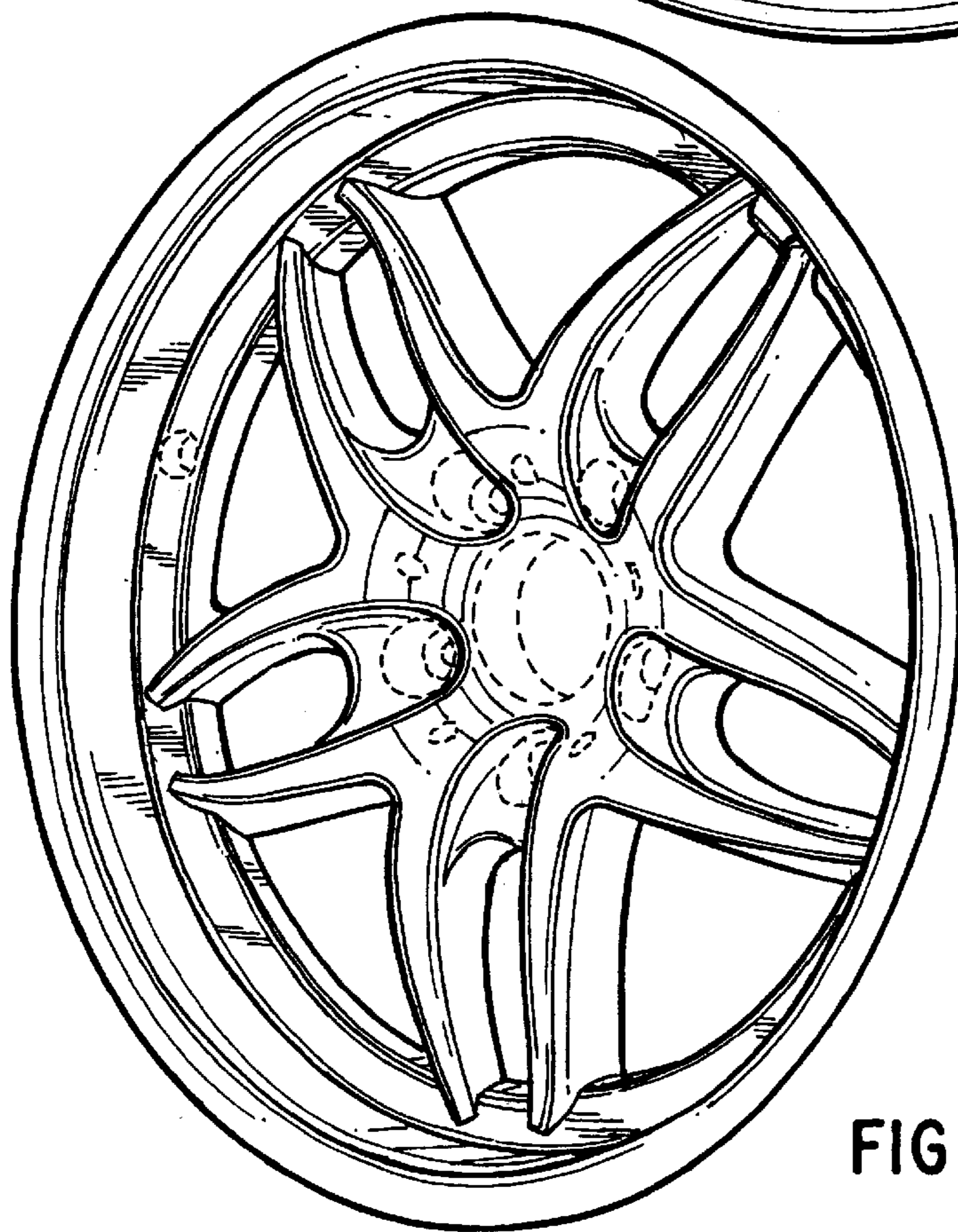


FIG. 4