



US00D433656S

United States Patent [19]

Hanagan et al.

[11] Patent Number: **Des. 433,656**

[45] Date of Patent: **** Nov. 14, 2000**

[54] **AUTOMOBILE GRILLE**

[75] Inventors: **Michael W. Hanagan**, Monterey;
Donald D. Varner, Hollister, both of Calif.

[73] Assignee: **Corbin Pacific, Inc.**, Hollister, Calif.

[**] Term: **14 Years**

[21] Appl. No.: **29/116,523**

[22] Filed: **Jan. 4, 2000**

[51] **LOC (7) Cl.** **12-16**

[52] **U.S. Cl.** **D12/163**

[58] **Field of Search** **D12/163; 180/68.6**

[56] **References Cited**

U.S. PATENT DOCUMENTS

D. 361,968	9/1995	Oyama	D12/163
D. 400,836	11/1998	Reynard et al.	D12/163
D. 403,285	12/1998	Abalos et al.	D12/163
D. 410,219	5/1999	Baryle	D12/163
D. 425,835	5/2000	Cook et al.	D12/163
1,846,283	2/1932	Summers	.	

2,875,840	3/1959	Klemm	.
3,641,744	2/1972	Culbert et al.	.
4,932,490	6/1990	Dewey	.
4,976,327	12/1990	Abujudom et al.	.
5,564,513	10/1996	Wible et al.	.
5,660,243	8/1997	Anzalone et al.	.
5,860,685	1/1999	Horney et al.	.

Primary Examiner—Melody N. Brown
Attorney, Agent, or Firm—Pepe & Hazard LLP

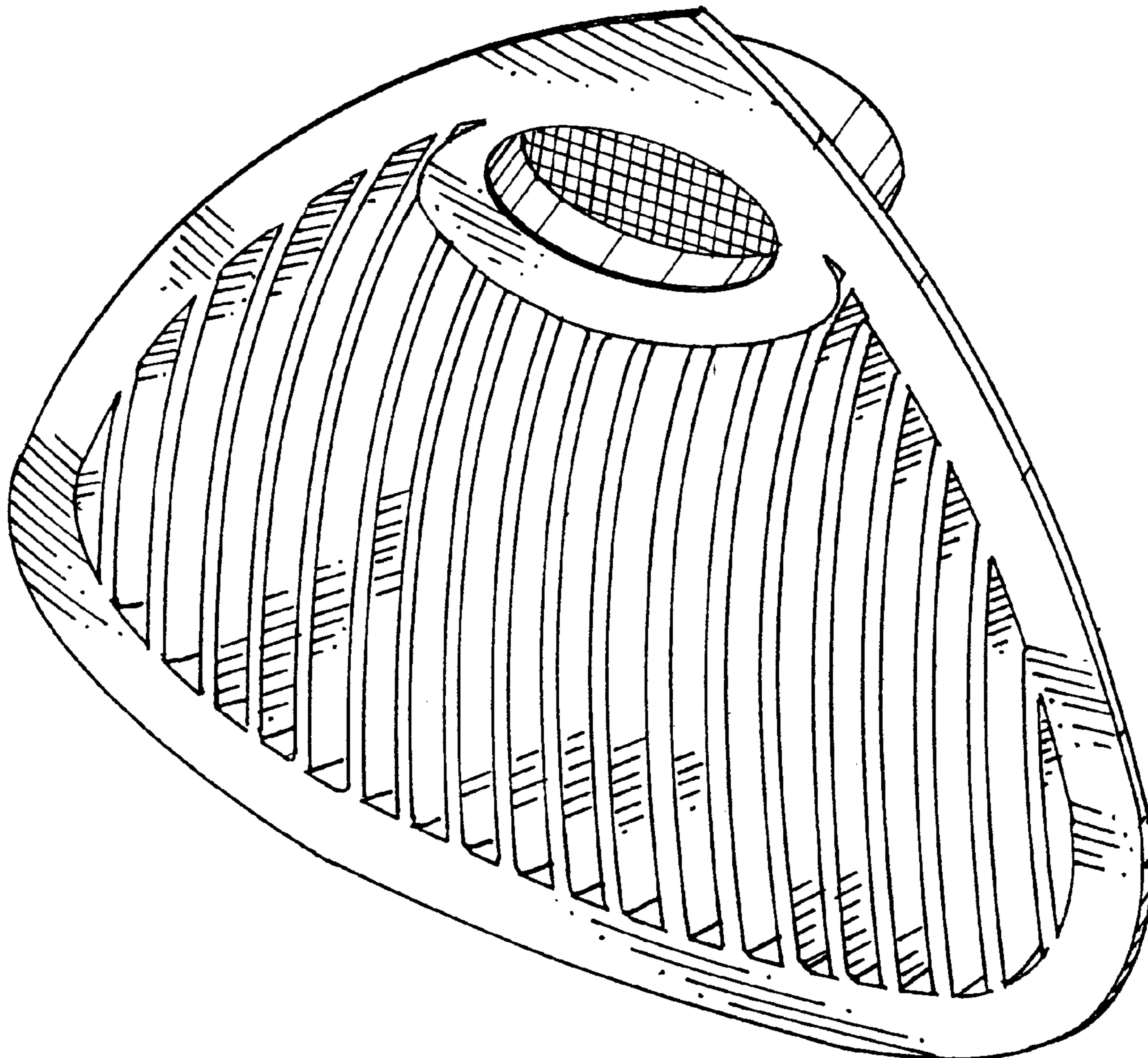
[57] **CLAIM**

The ornamental design for an automobile grille, as shown.

DESCRIPTION

FIG. 1 is a perspective view of an automobile grille showing our new design;
FIG. 2 is a front elevational view thereof;
FIG. 3 is a side elevational view thereof, with a hose illustrated fragmentarily in phantom line, the opposite side being a mirror image thereof;
FIG. 4 is a rear elevational view thereof;
FIG. 5 is a top view thereof; and,
FIG. 6 is a bottom view thereof.

1 Claim, 6 Drawing Sheets



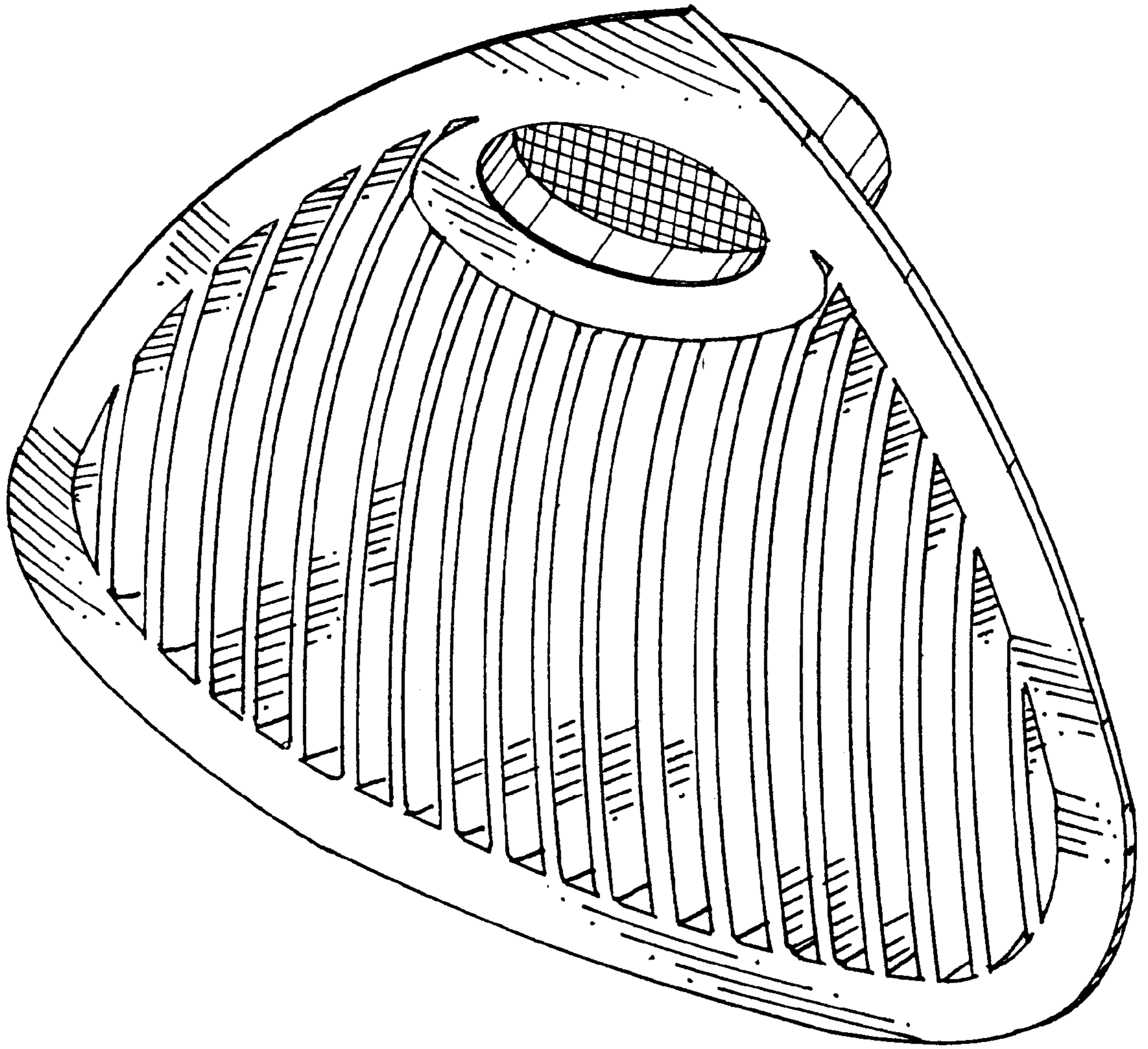


FIG. 1

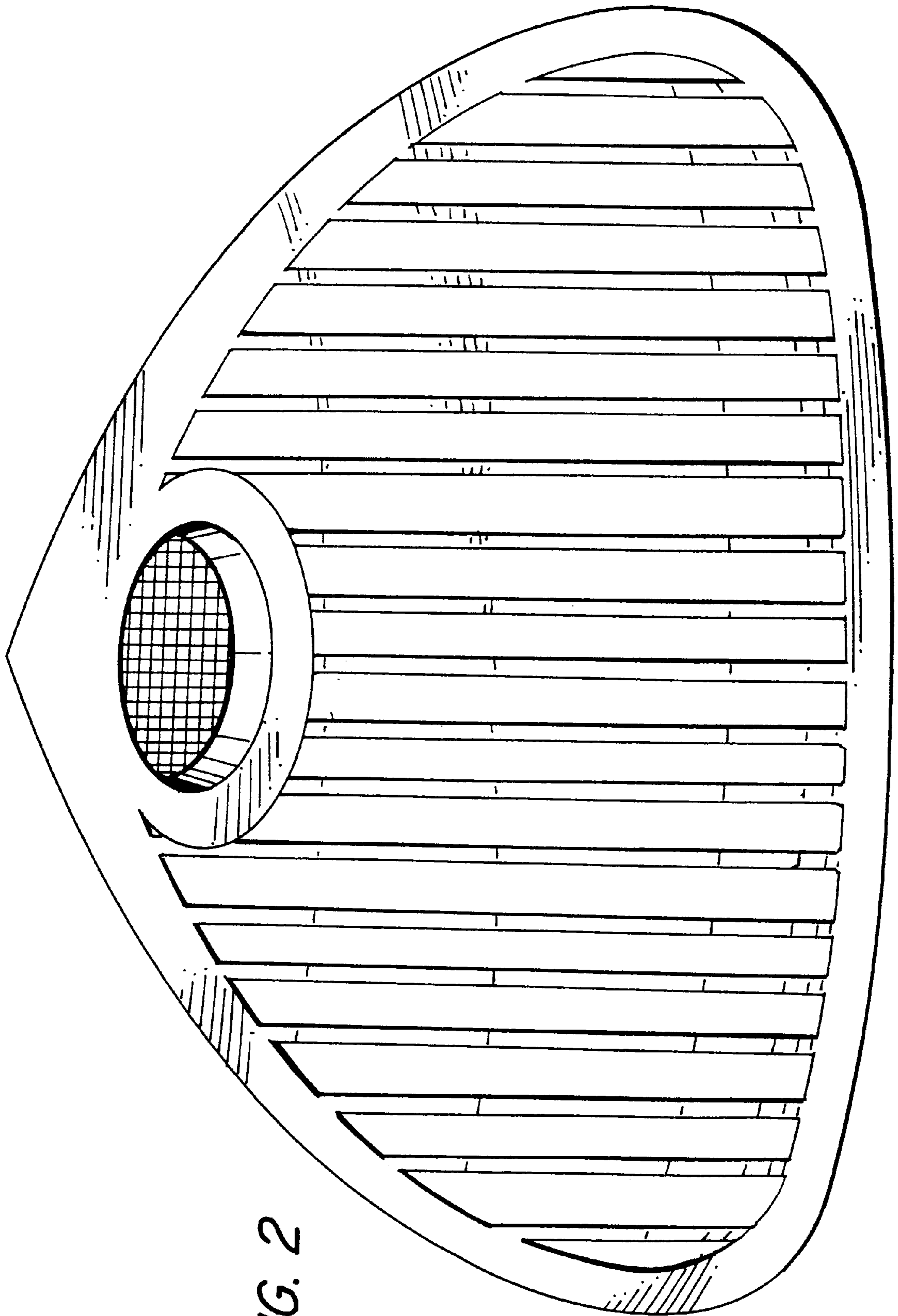


FIG. 2

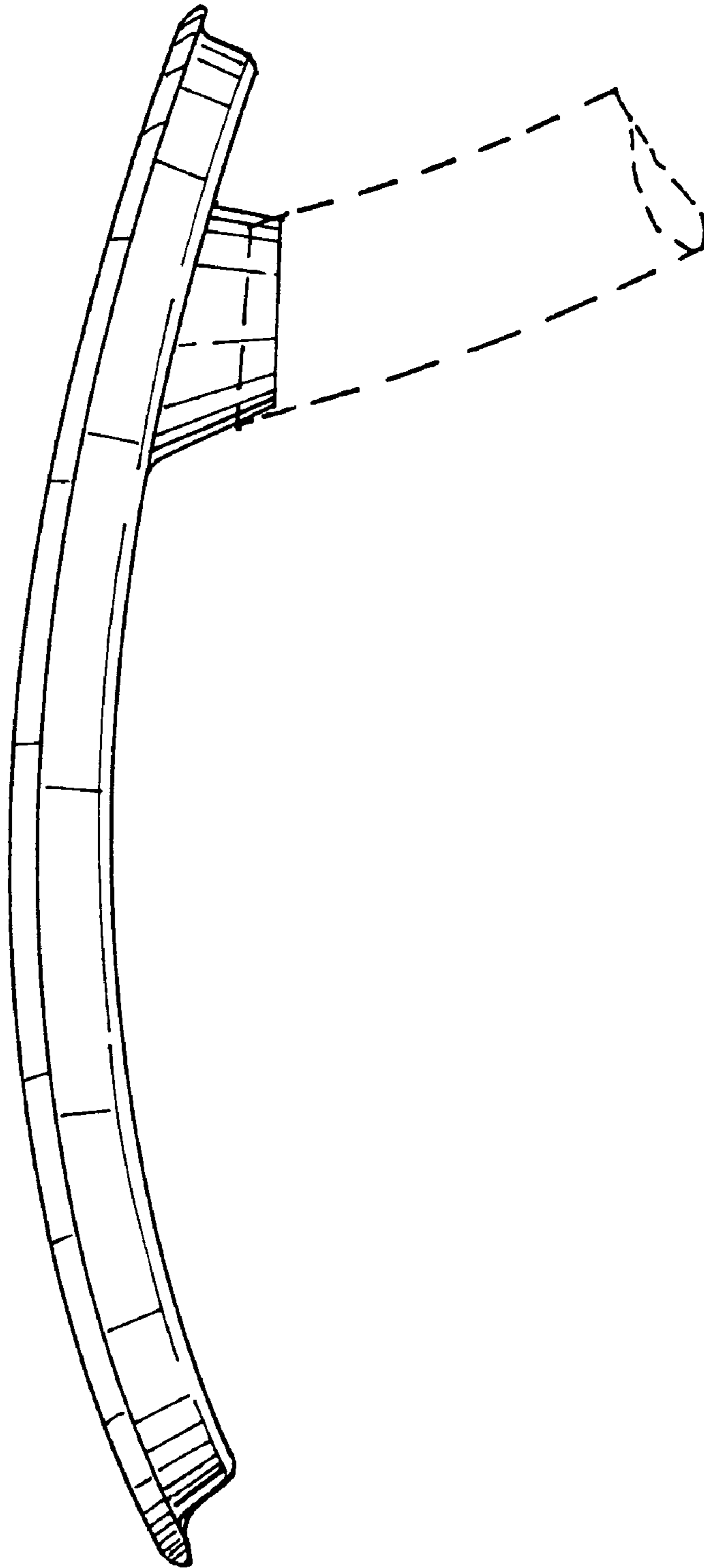


FIG. 3

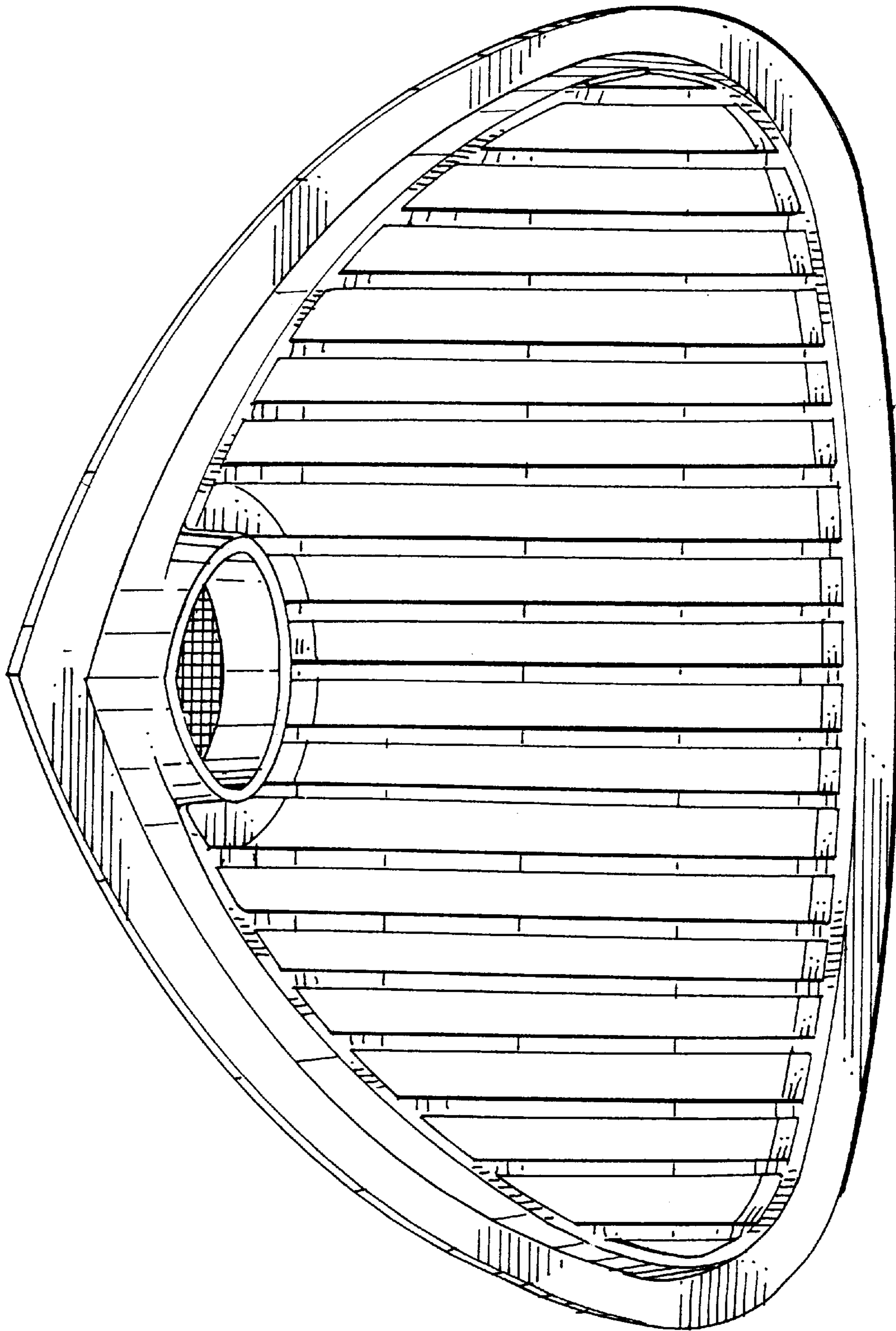


FIG. 4

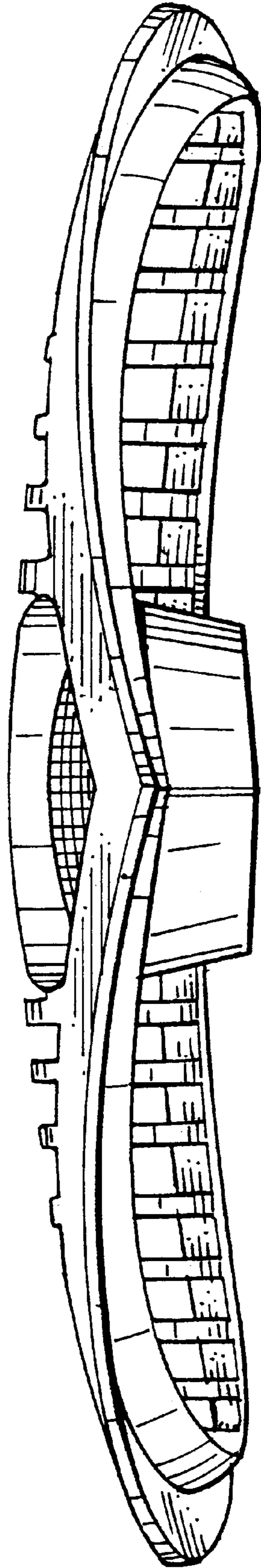


FIG. 5

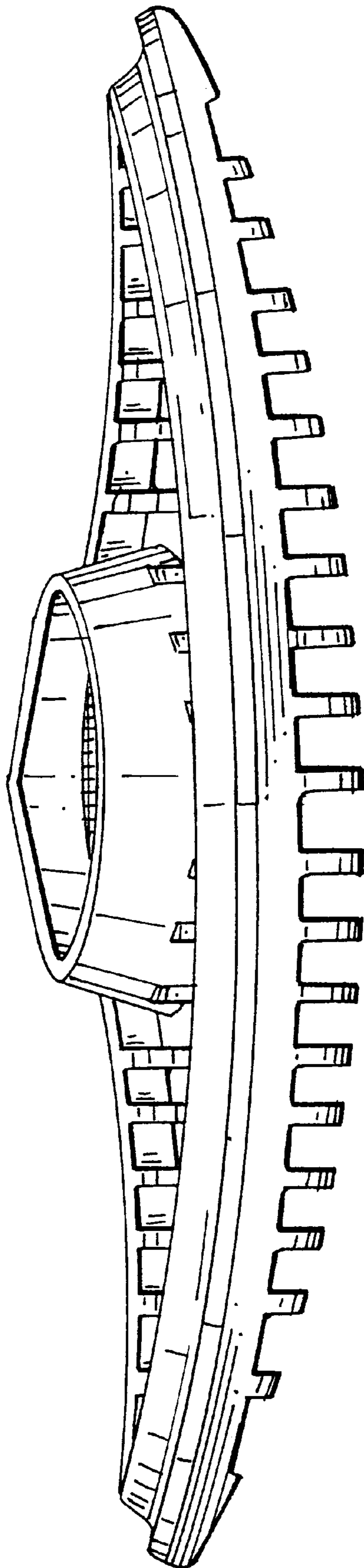


FIG. 6