



US00D433653S

United States Patent [19]

[11] **Patent Number: Des. 433,653**

Sacco et al.

[45] **Date of Patent: ** Nov. 14, 2000**

[54] **EXTERIOR SURFACE CONFIGURATION OF A MOTOR VEHICLE**

[75] Inventors: **Bruno Sacco**, Sindelfingen; **Peter Pfeiffer**, Boeblingen, both of Germany

[73] Assignee: **DaimlerChrysler AG**, Stuttgart, Germany

[**] Term: **14 Years**

[21] Appl. No.: **29/086,743**

[22] Filed: **Apr. 20, 1998**

[51] **LOC (7) Cl.** **12-08**

[52] **U.S. Cl.** **D12/92**

[58] **Field of Search** **D12/90-92; 296/185**

[56] **References Cited**

U.S. PATENT DOCUMENTS

D. 368,448	4/1996	Sacco et al.	D12/92
D. 372,689	8/1996	Sacco et al.	D12/92
D. 380,178	6/1997	Sacco et al.	D12/92
D. 393,440	4/1998	Pfeiffer et al.	D12/196
D. 393,610	4/1998	Sacco et al.	D12/92
D. 395,847	7/1998	Sacco et al.	D12/92

Primary Examiner—Melody N. Brown

Attorney, Agent, or Firm—Evenson, McKeown, Edwards & Lenahan, P.L.L.C.

[57] **CLAIM**

The ornamental design for an exterior surface configuration of a motor vehicle, as shown and described.

DESCRIPTION

FIG. 1 is a front view of an exterior surface configuration of

a motor vehicle according to our novel design;

FIG. 2 is a perspective view from the front left of an exterior surface configuration of a motor vehicle according to our novel design;

FIG. 3 is a perspective view from the front right of an exterior surface configuration of a motor vehicle according to our novel design;

FIG. 4 is a left side view of an exterior surface configuration of a motor vehicle according to our novel design;

FIG. 5 is a right side view of an exterior surface configuration of a motor vehicle according to our novel design;

FIG. 6 is a perspective view from the rear left of an exterior surface configuration of a motor vehicle according to our novel design;

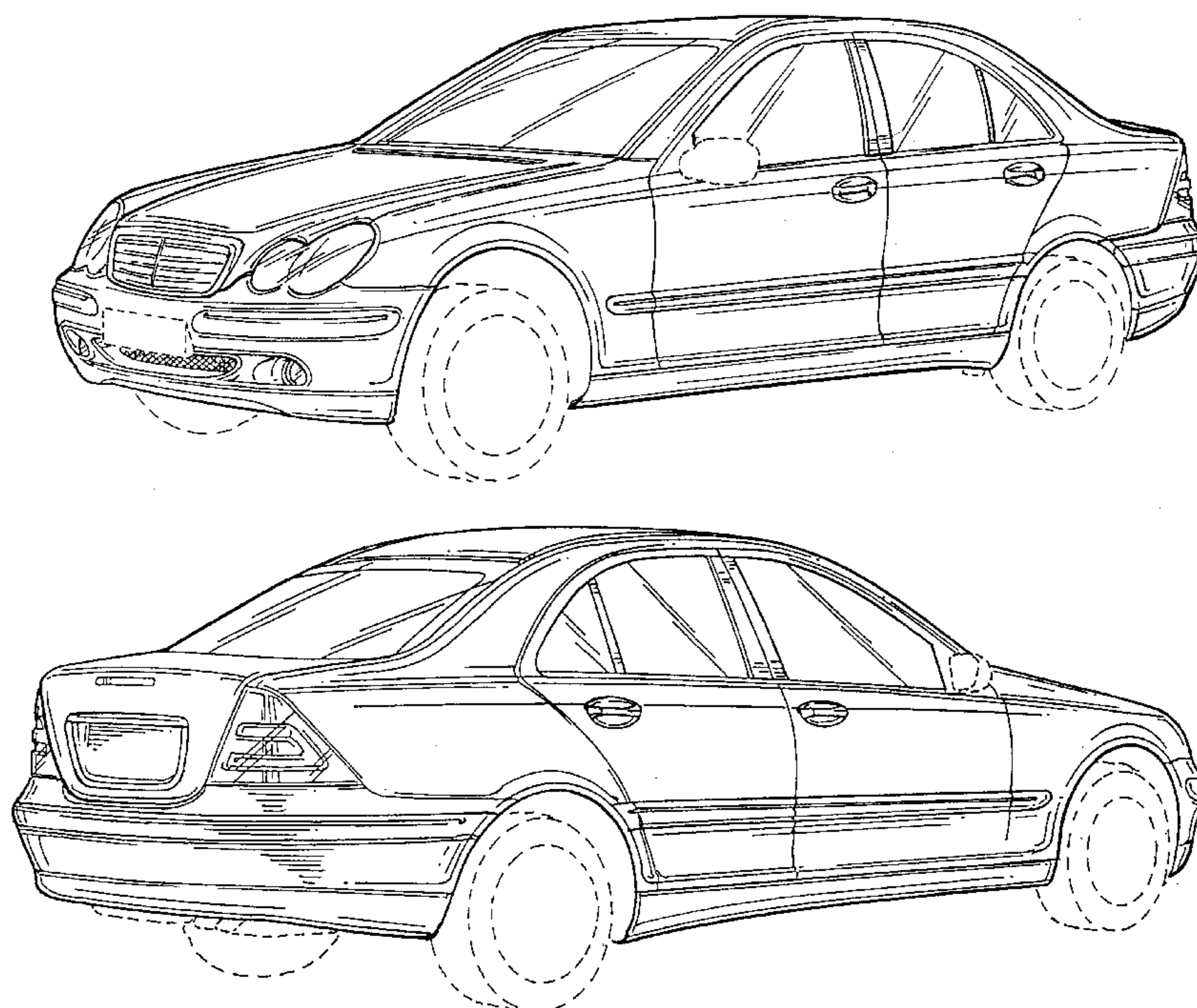
FIG. 7 is a perspective view from the rear right of an exterior surface configuration of a motor vehicle according to our novel design;

FIG. 8 is a rear view of an exterior surface configuration of a motor vehicle according to our novel design; and,

FIG. 9 is a top view of an exterior surface configuration of a motor vehicle according to our novel design.

The broken lines shown in all drawing views are for illustrative purposes only and form no part of the claimed design.

1 Claim, 5 Drawing Sheets



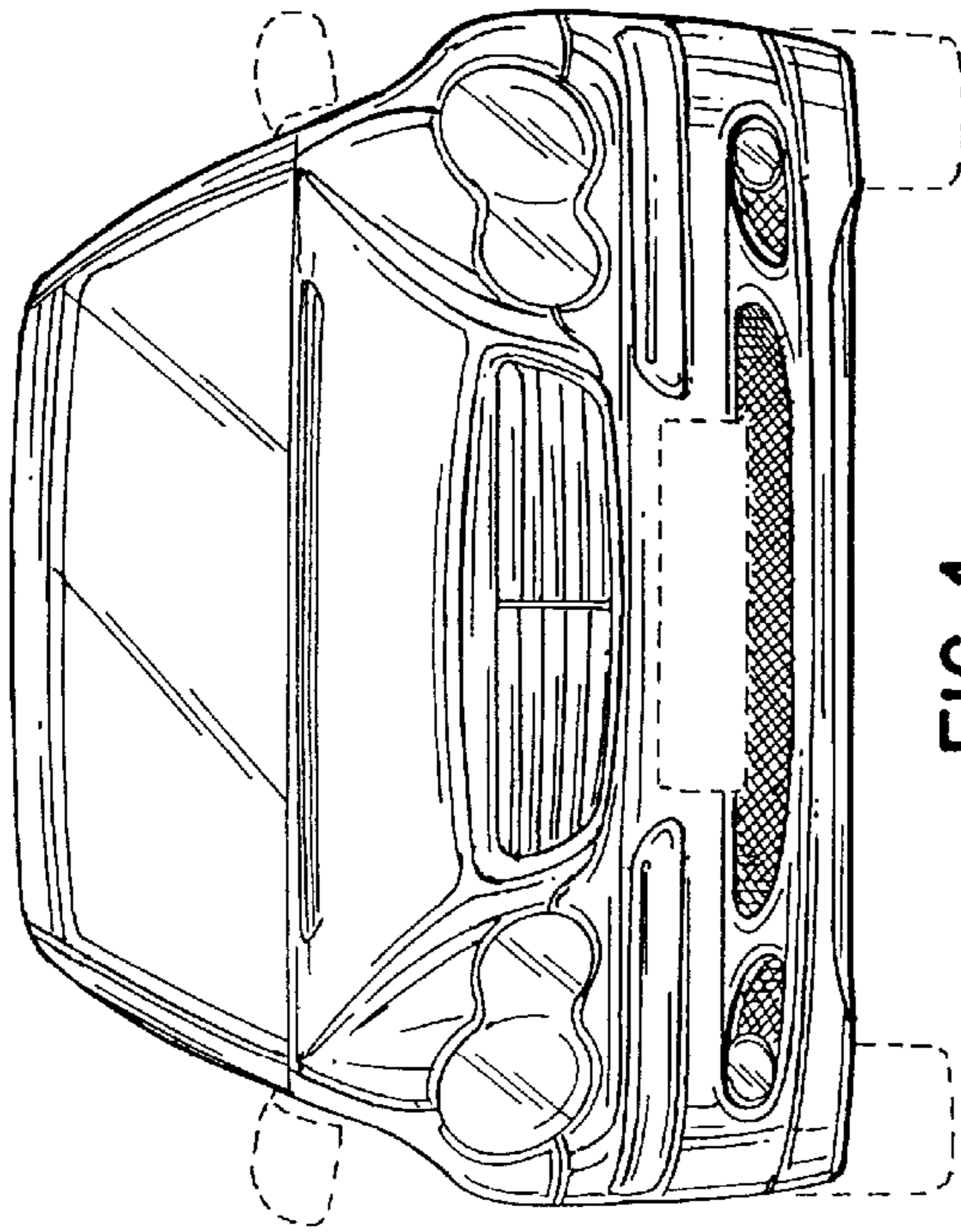
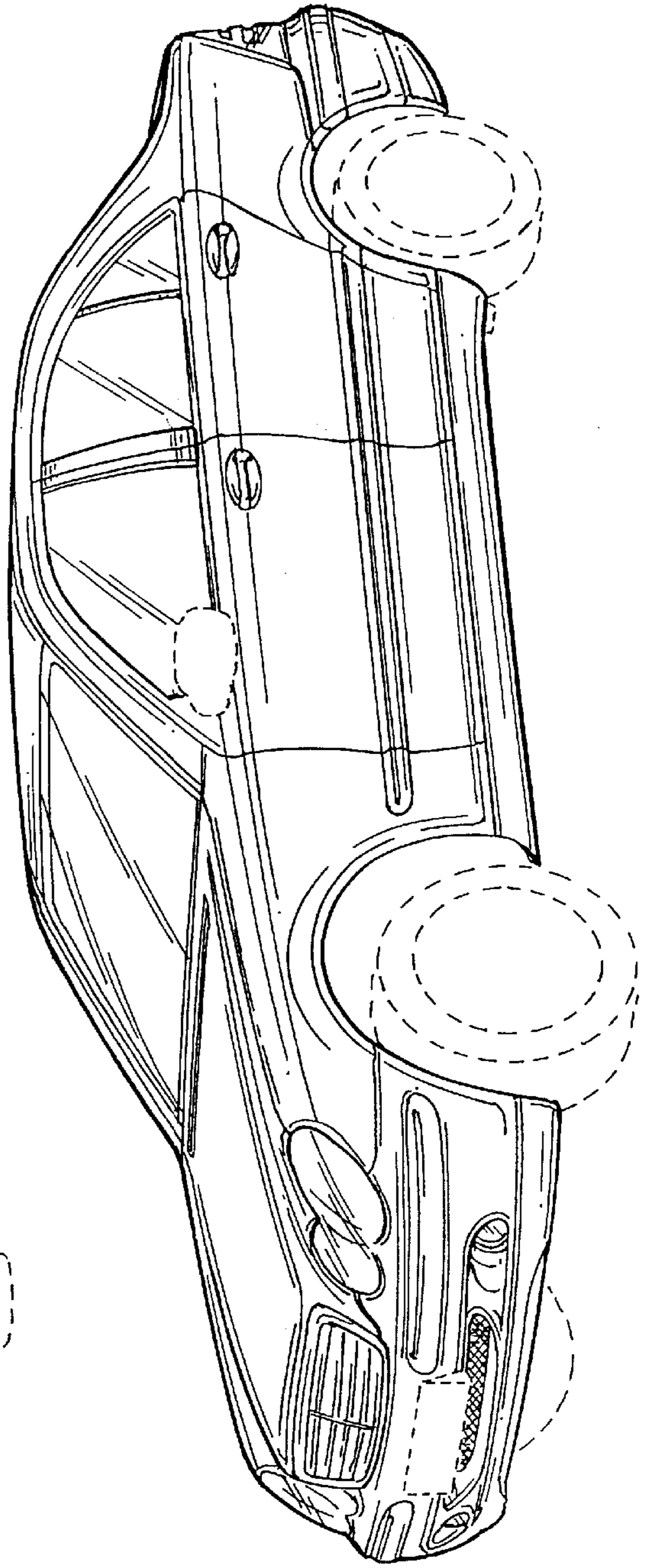


FIG. 1

FIG. 2



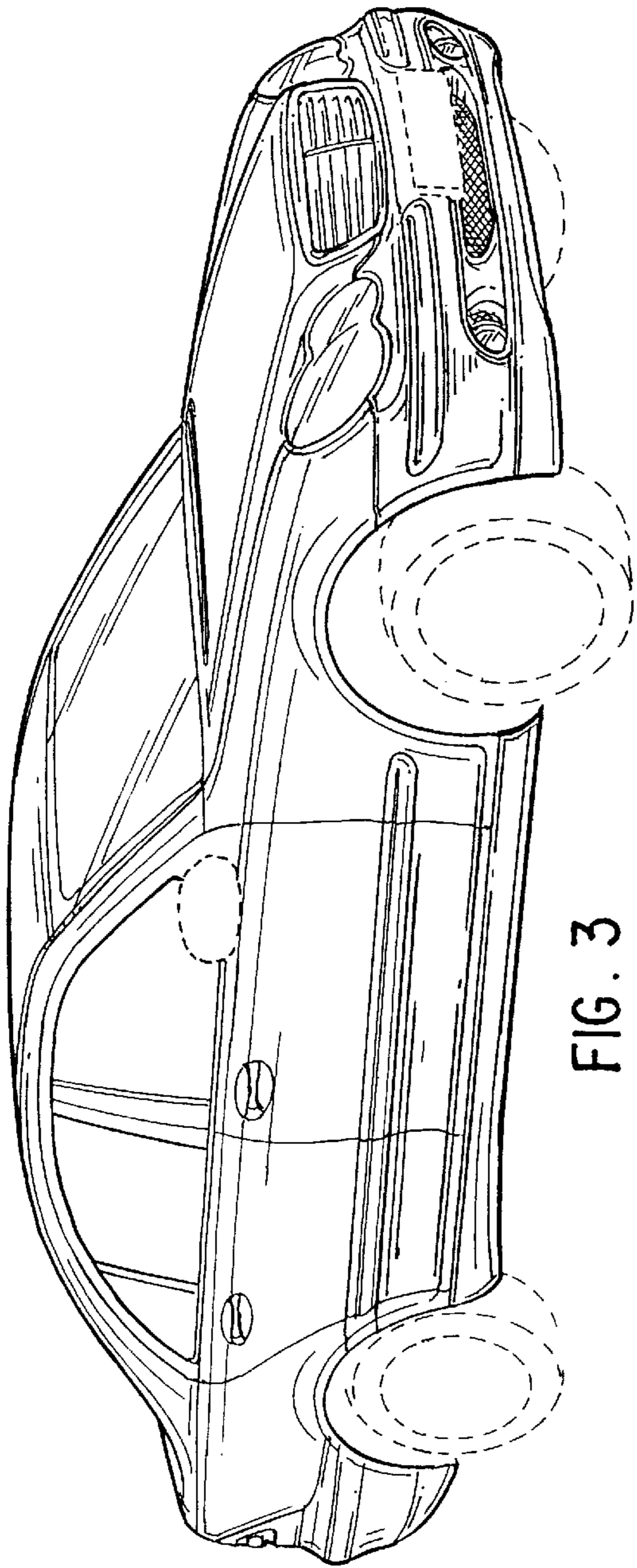


FIG. 3

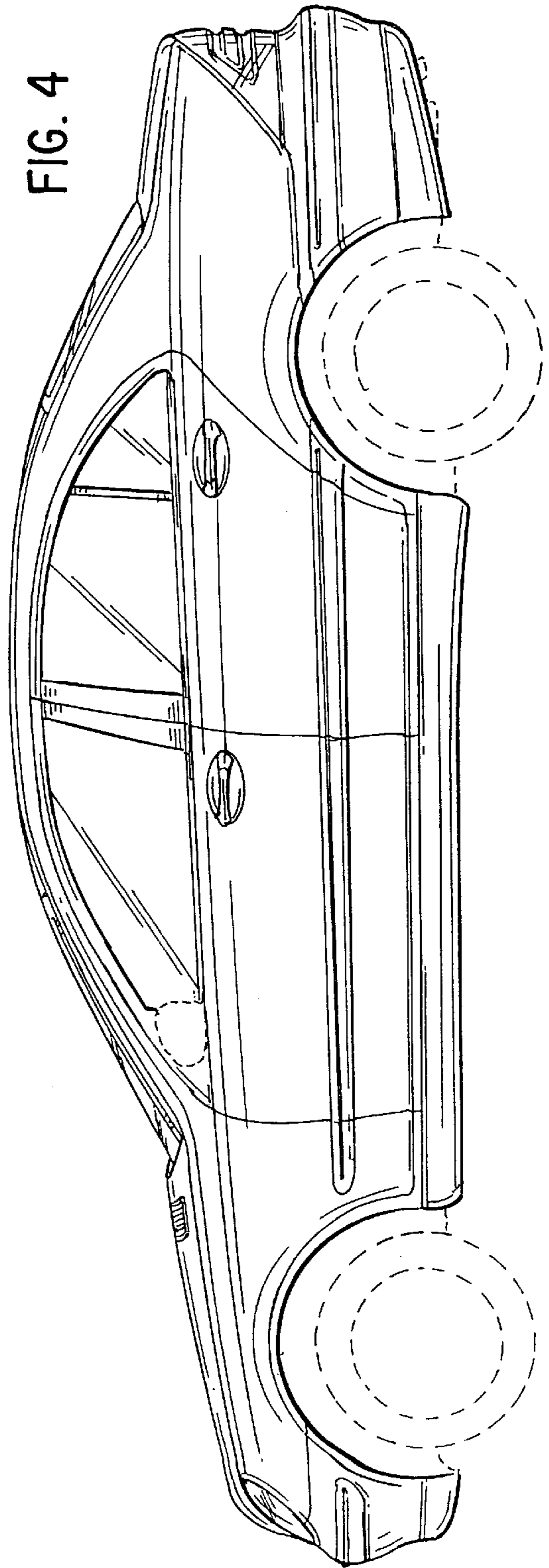


FIG. 4

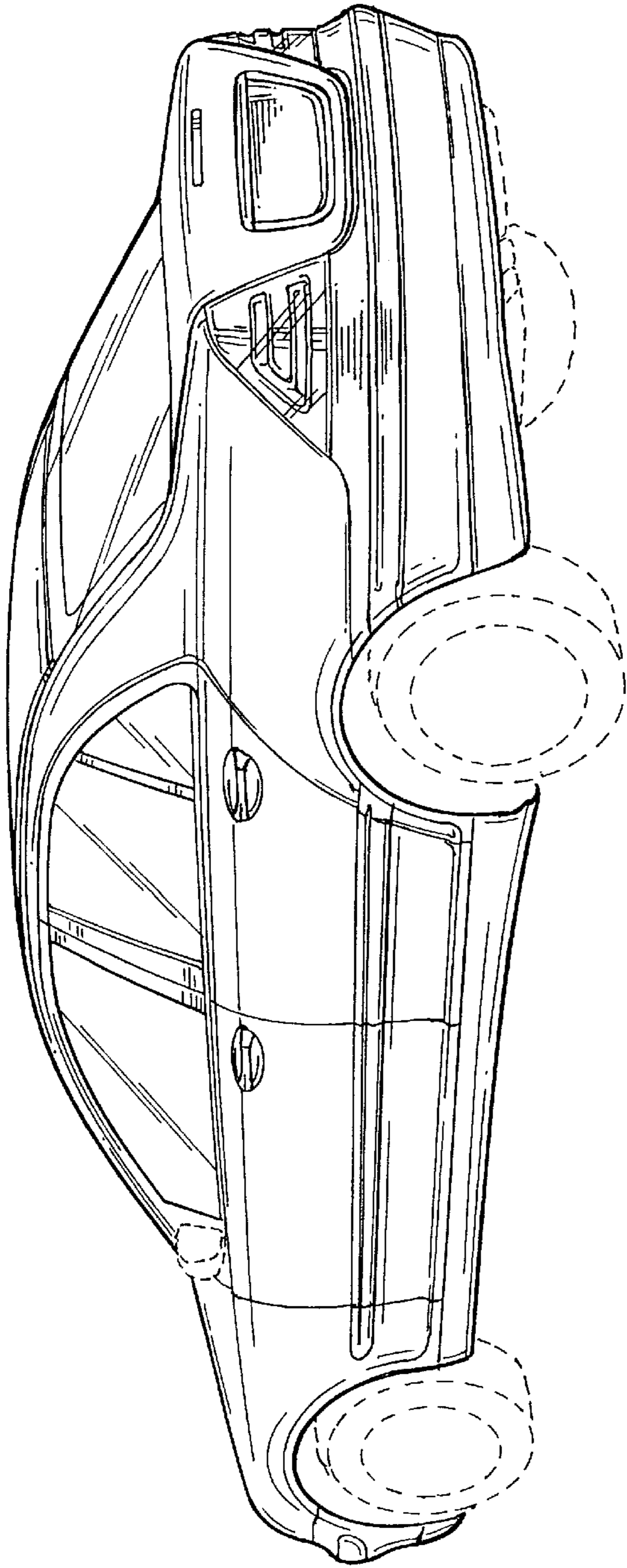


FIG. 6

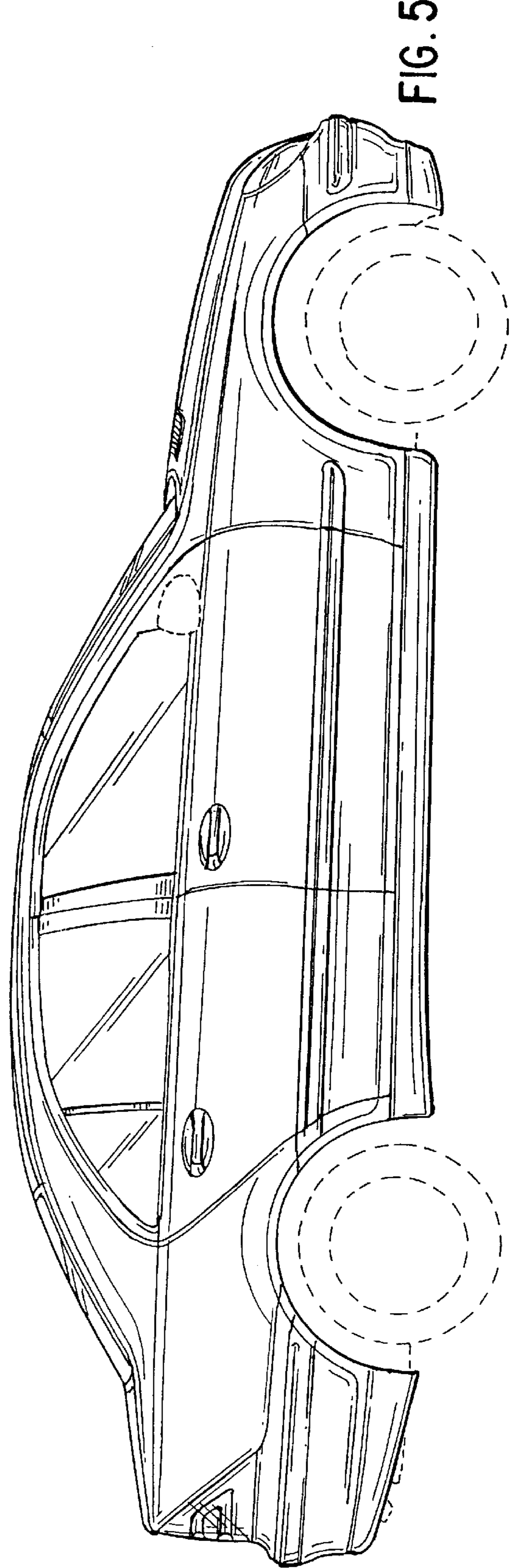


FIG. 5

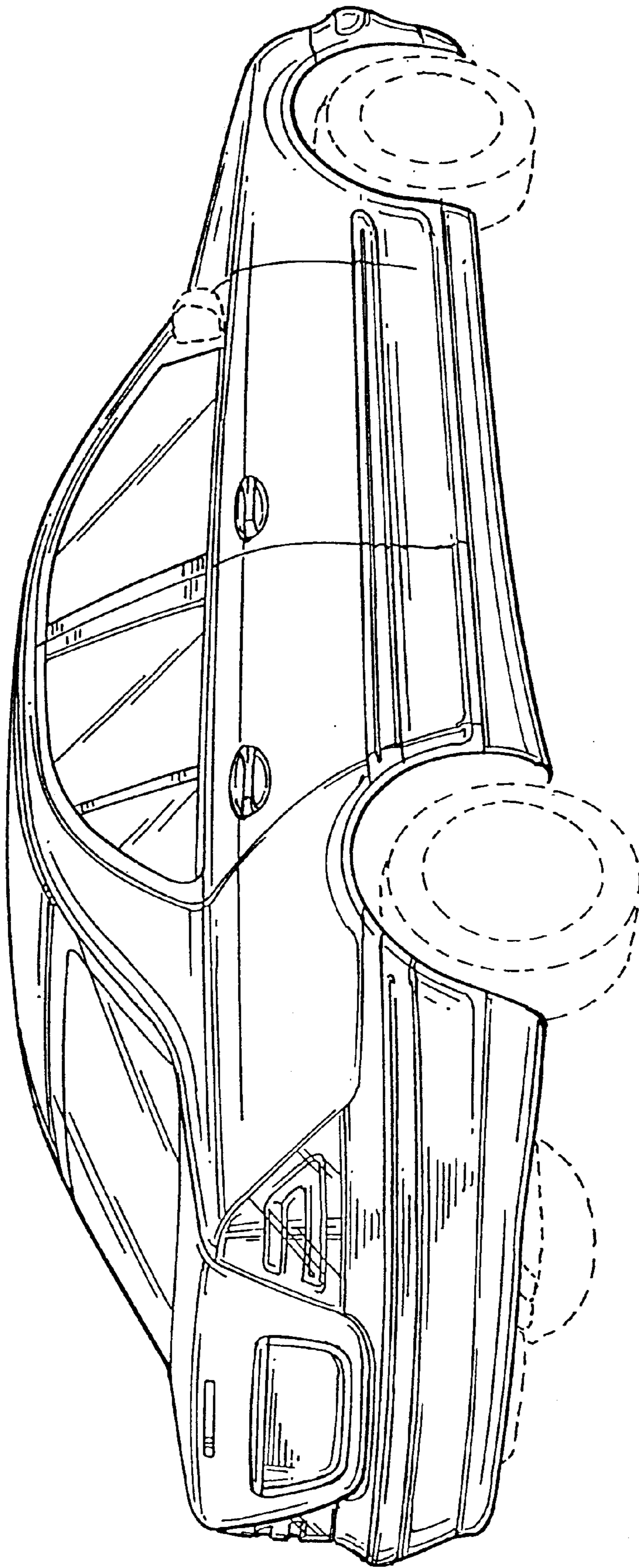


FIG. 7

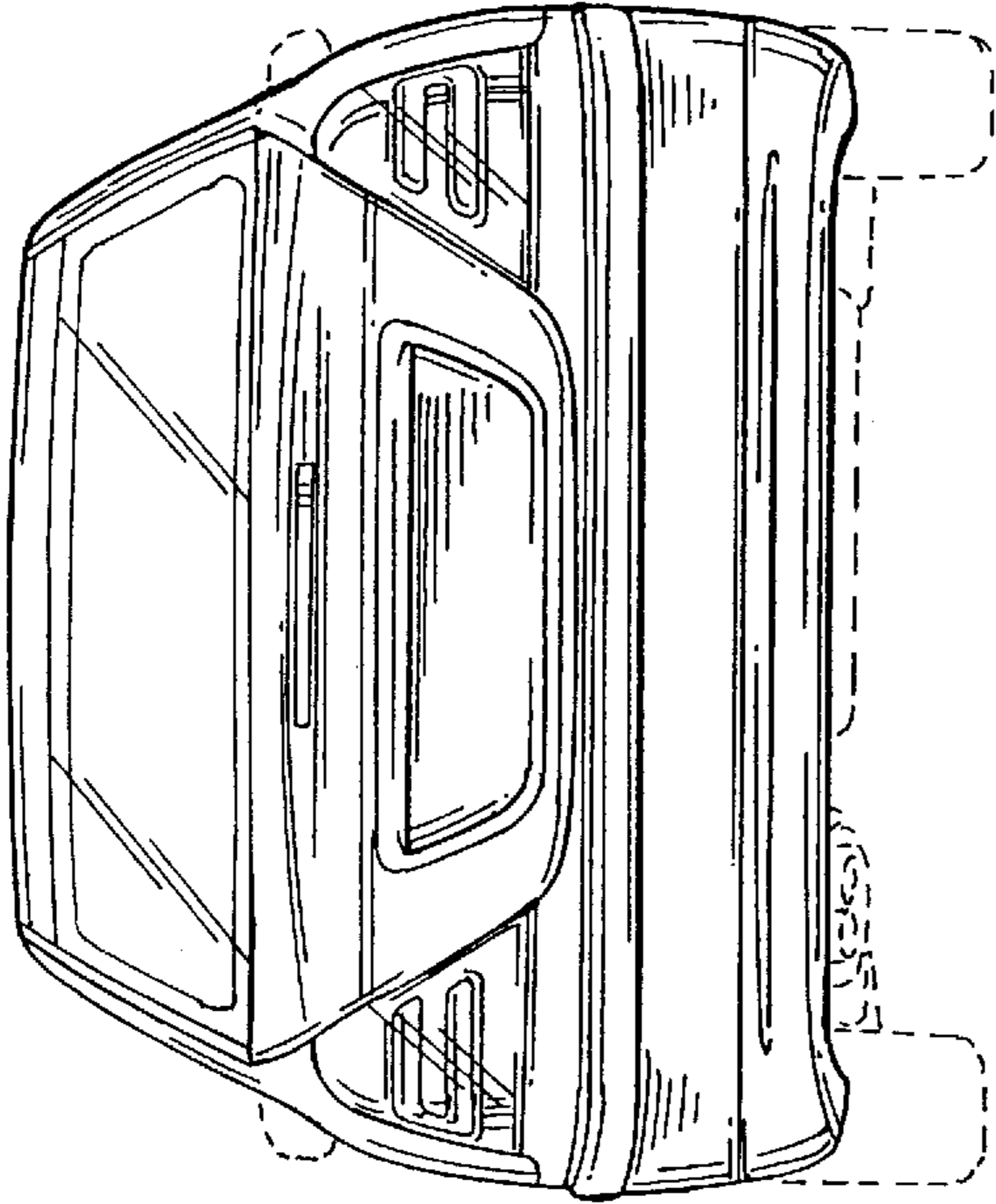


FIG. 8

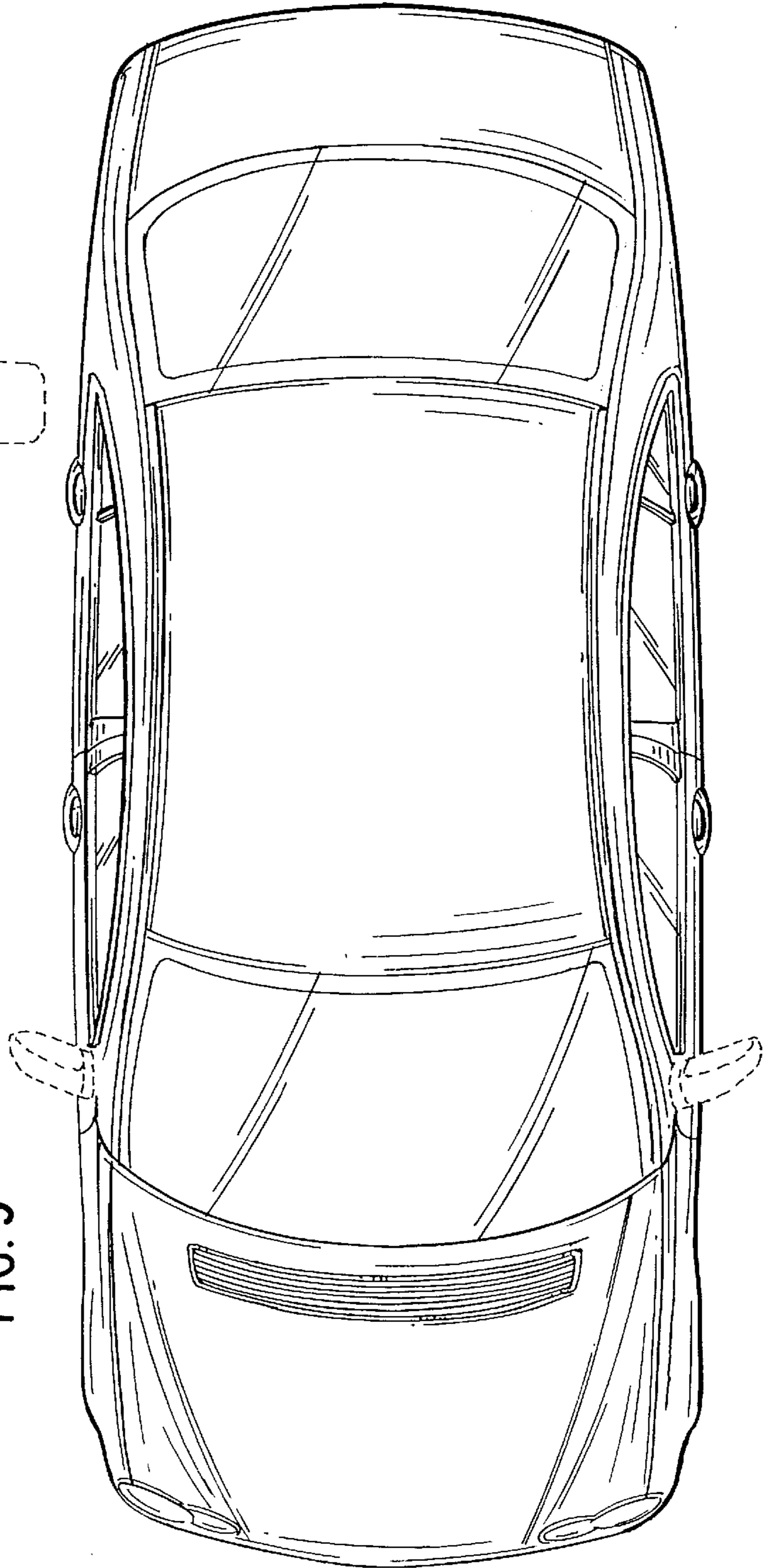


FIG. 9