



US00D433651S

United States Patent [19]
Matsumura et al.

[11] **Patent Number: Des. 433,651**
[45] **Date of Patent: ** Nov. 14, 2000**

[54] **4-WHEELED VEHICLE**

[76] Inventors: **Norikazu Matsumura**,
Kawaju-Kusugaoka-Seiunryo, 2-32
Kawasakicho, Akashi-shi,
Hyogo-Prefecture; **Teruhito Momoi**,
488-2-2-404, Higashifutami, Futamicho,
Akashi-shi, Hyogo-Prefecture, both of
Japan

[**] Term: **14 Years**

[21] Appl. No.: **29/115,520**

[22] Filed: **Dec. 15, 1999**

[30] **Foreign Application Priority Data**

Aug. 18, 1999 [JP] Japan 11-22148

[51] **LOC (7) Cl.** **12-14**

[52] **U.S. Cl.** **D12/1**

[58] **Field of Search** D12/1, 85-86,
D12/16, 107, 14-15, 82, 87; 280/DIG. 5;
296/183-186; 180/908, 233; D34/34

[56] **References Cited**

U.S. PATENT DOCUMENTS

D. 218,598 9/1970 Horn et al. D12/1

D. 227,244 6/1973 Keene D12/1
D. 245,592 8/1977 Davidson D12/16
D. 312,989 12/1990 Murata et al. D12/87
D. 332,239 1/1993 Hirata et al. D12/1
D. 342,701 12/1993 Murata et al. D12/1 X
D. 373,099 8/1996 Molzon et al. D12/16
D. 395,023 6/1998 Hikida D12/16
D. 421,411 3/2000 Molzon et al. D12/1 X
D. 422,938 4/2000 Molzon et al. D12/1

Primary Examiner—Stacia Cadmus

[57] **CLAIM**

The ornamental design for a 4-wheeled vehicle, as shown and described.

DESCRIPTION

FIG. 1 is a front view of a 4-wheeled vehicle illustrating our new design;
FIG. 2 is a right side view thereof;
FIG. 3 is a rear side view thereof;
FIG. 4 is a left side view thereof;
FIG. 5 is a top plan view thereof; and,
FIG. 6 is a bottom view thereof.

1 Claim, 3 Drawing Sheets

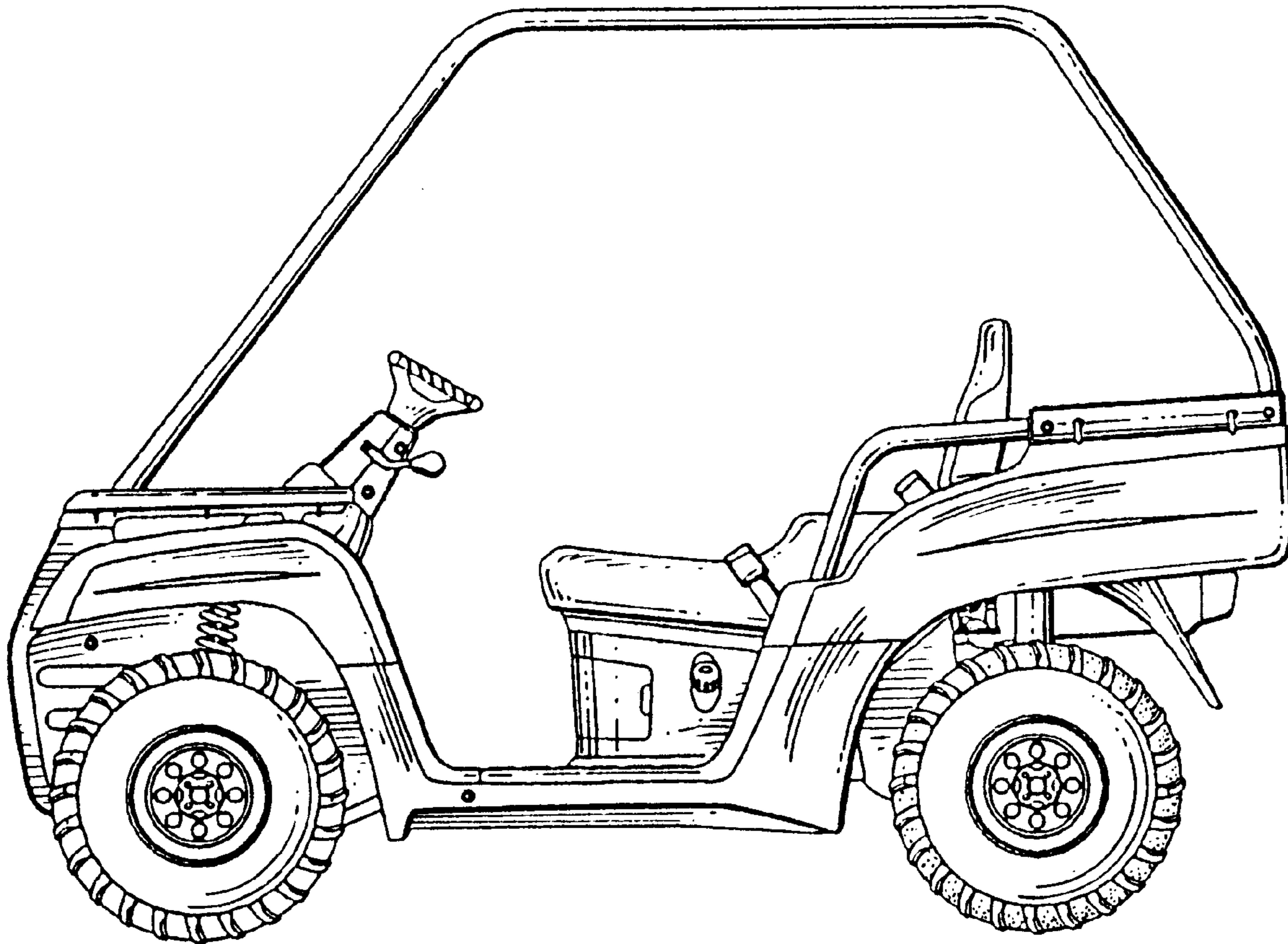


FIG. 1

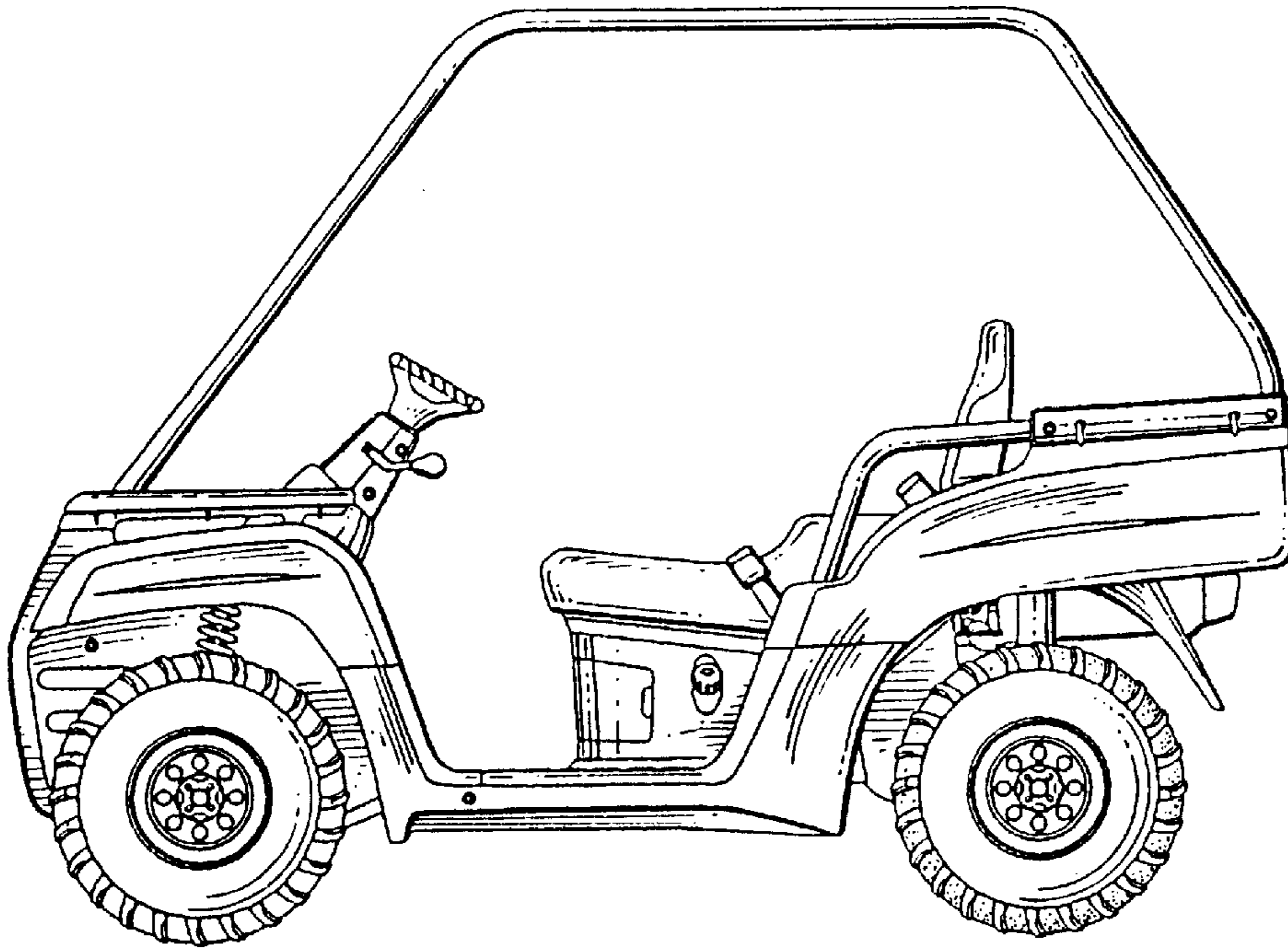


FIG. 2

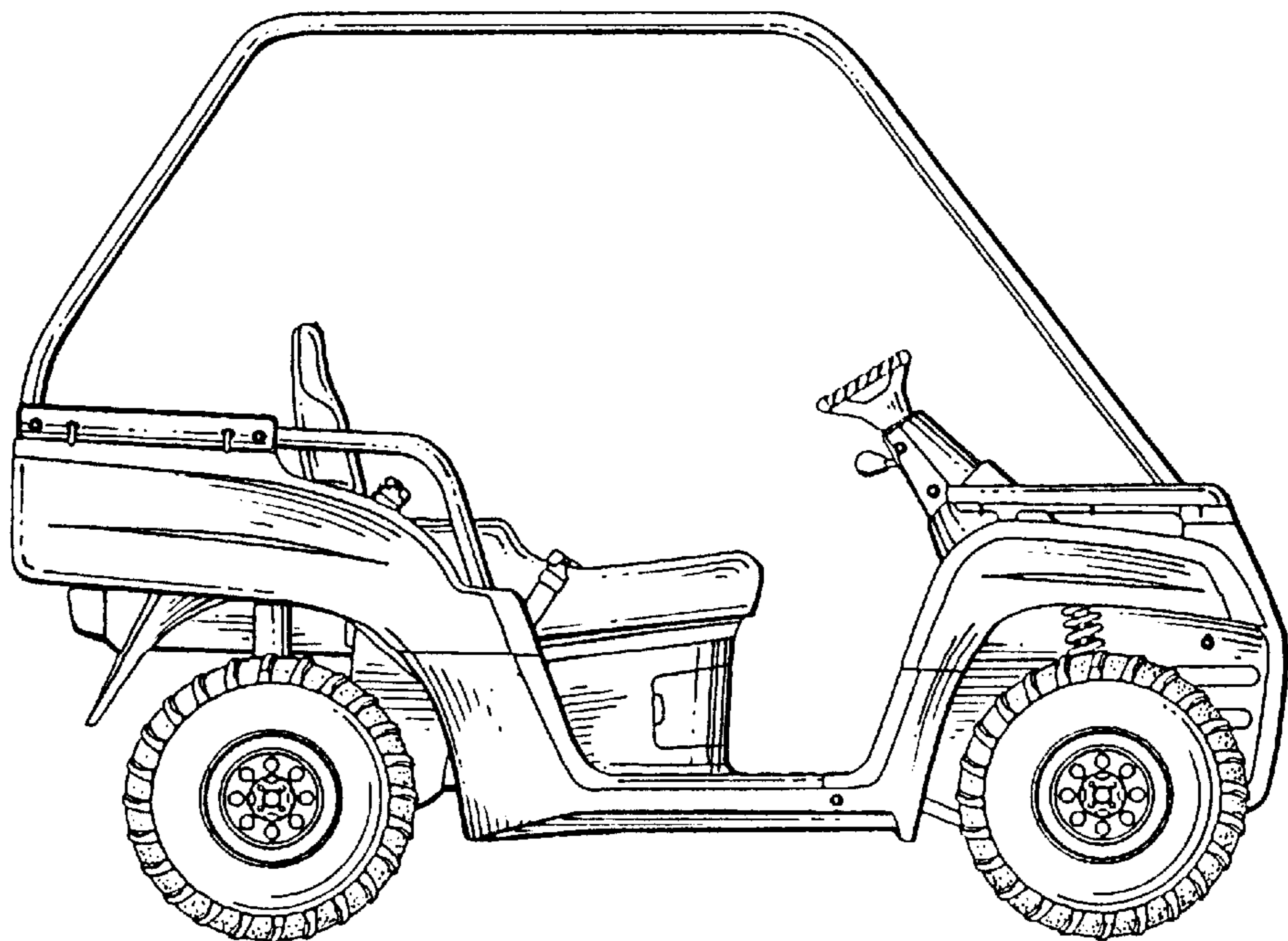


FIG. 3

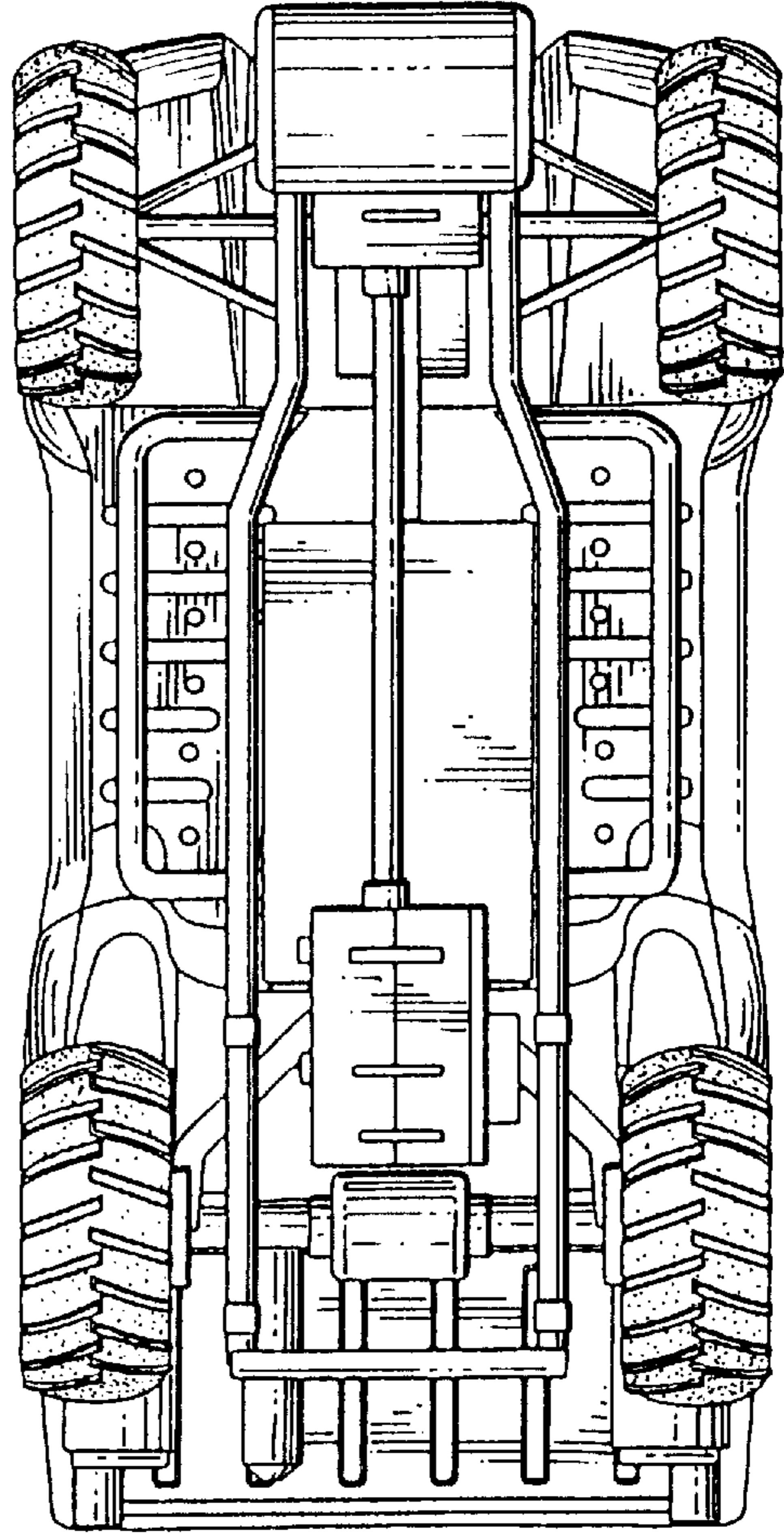
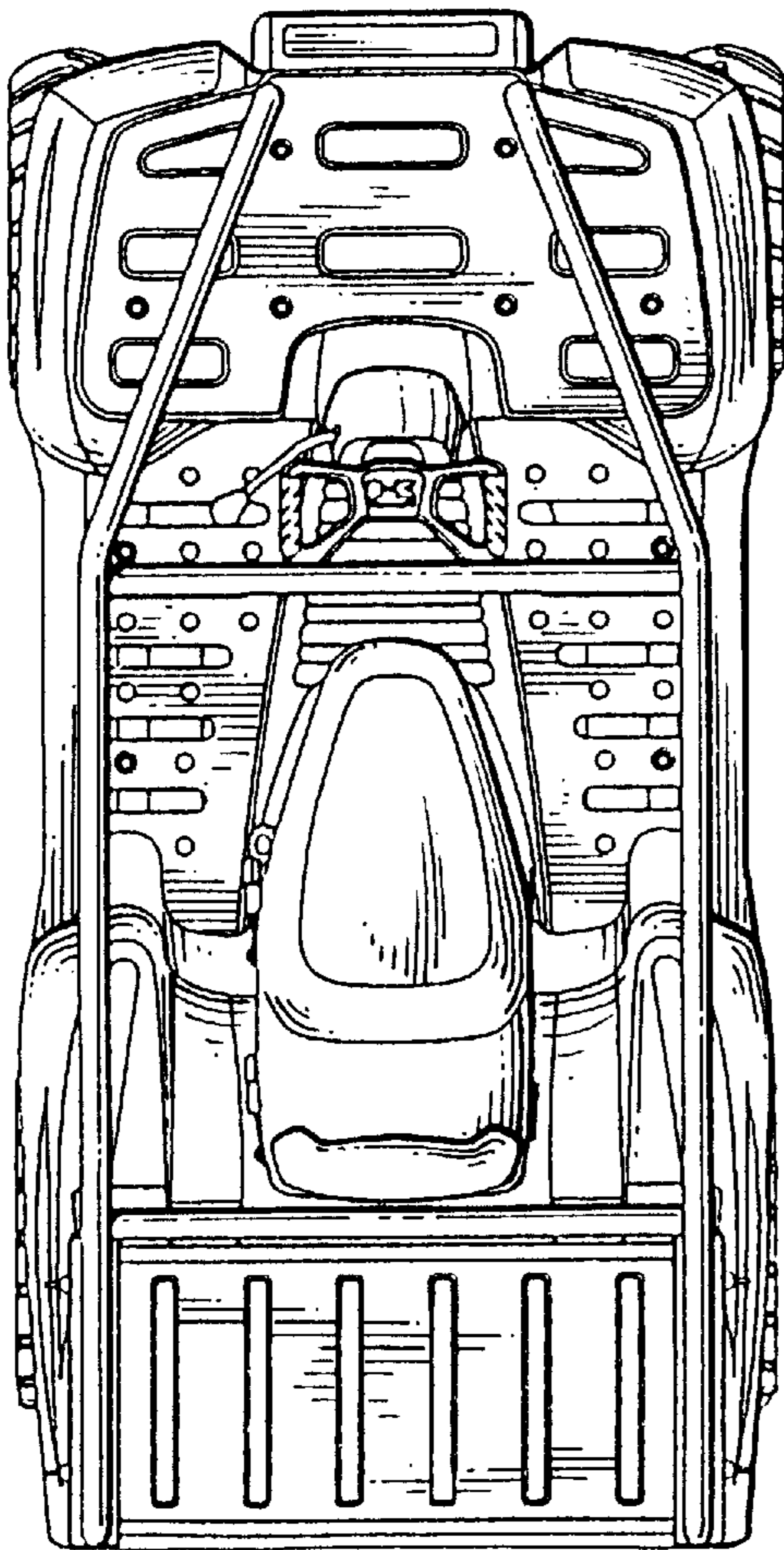


FIG. 4

FIG. 6

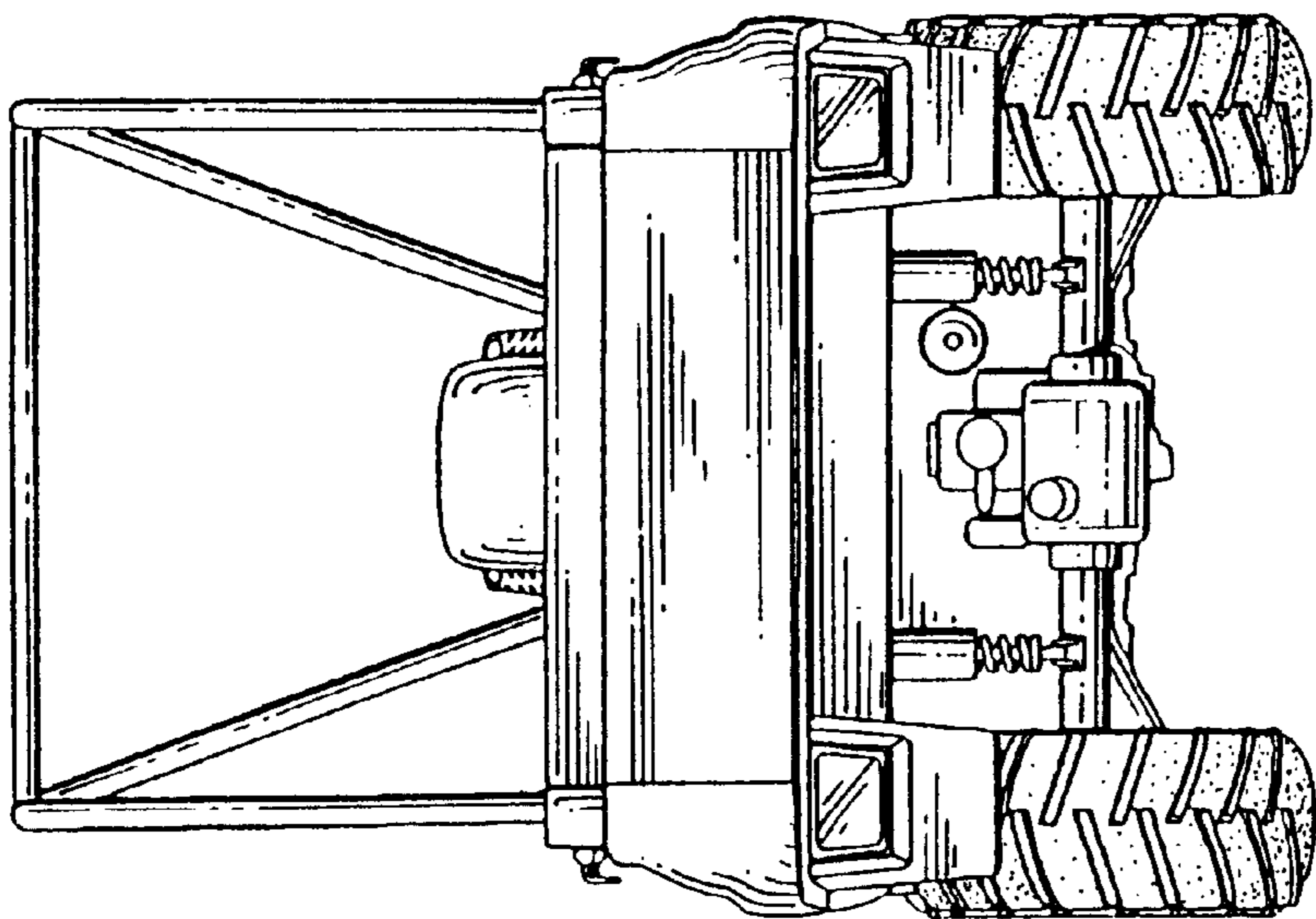
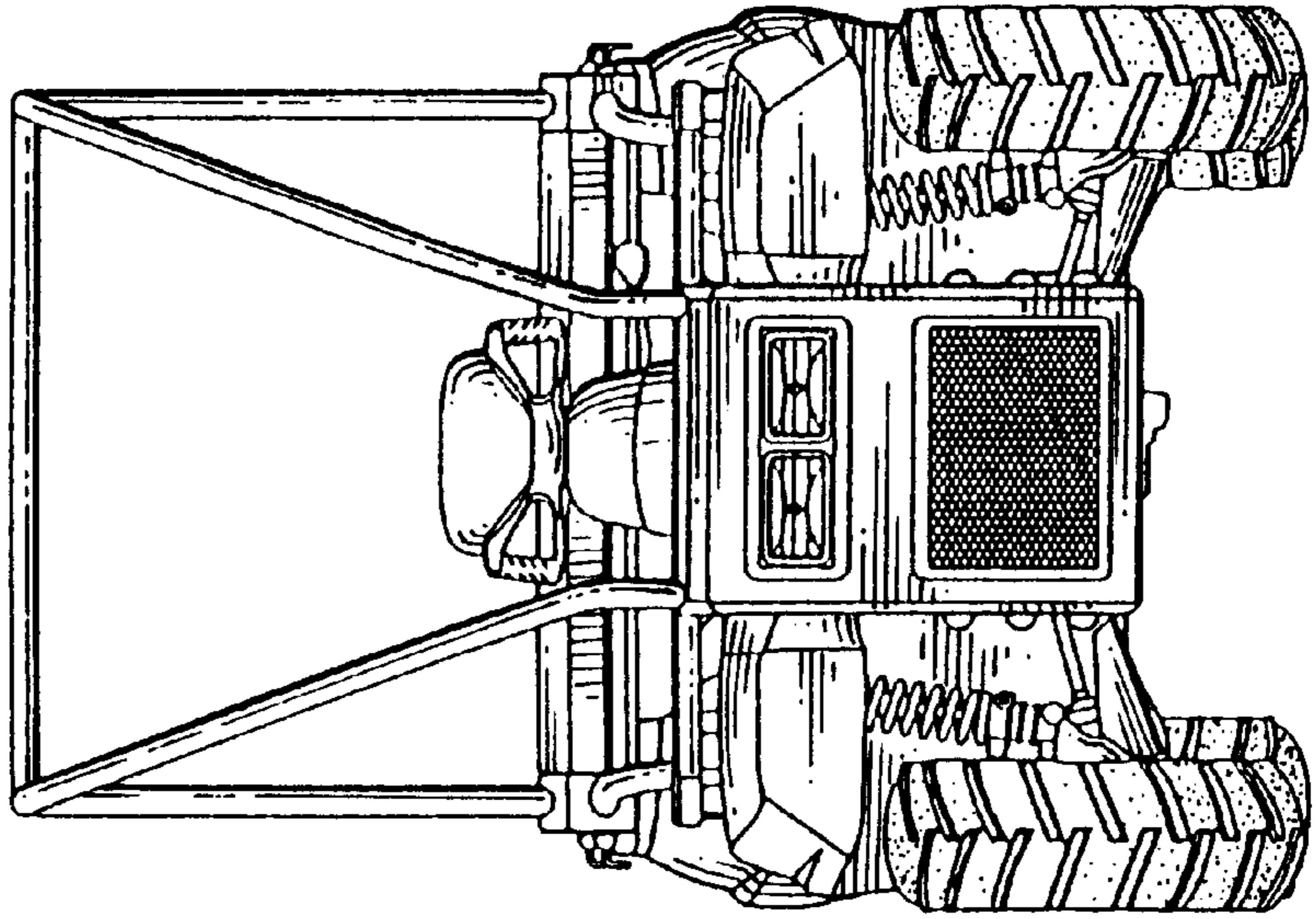


FIG. 5