



US00D433646S

United States Patent [19] Halligan

[11] **Patent Number: Des. 433,646**

[45] **Date of Patent: ** Nov. 14, 2000**

[54] **HANDS FOR A TIMEPIECE**

[76] Inventor: **Bryan J. Halligan**, 3237 NE. 100th St.,
Seattle, Wash. 98125

[**] Term: **14 Years**

[21] Appl. No.: **29/089,814**

[22] Filed: **Jun. 23, 1998**

Related U.S. Application Data

[63] Continuation-in-part of application No. 29/061,516, Oct. 25, 1996, Pat. No. Des. 396,427, which is a continuation of application No. 29/060,728, Oct. 4, 1996, abandoned.

[51] **LOC (7) Cl.** **10-03**

[52] **U.S. Cl.** **D10/127; D10/8**

[58] **Field of Search** D10/1-39, 122-132,
D10/127; 368/223-232

[56] References Cited

U.S. PATENT DOCUMENTS

- D. 1,570 4/1862 Makin D99/27
- D. 21,290 1/1892 Longenhect D10/126 X
- D. 39,211 3/1908 Murphy D99/27

- D. 135,610 5/1943 Calnan D99/27
- D. 163,729 6/1951 Zapol D10/124
- D. 179,315 11/1956 Pitrelli D10/6
- D. 233,851 12/1974 Miramoa D10/123
- 2,650,445 9/1953 Randall D99/27 X

Primary Examiner—Nelson C. Holtje
Attorney, Agent, or Firm—Ann W. Speckman; Janet Sleath

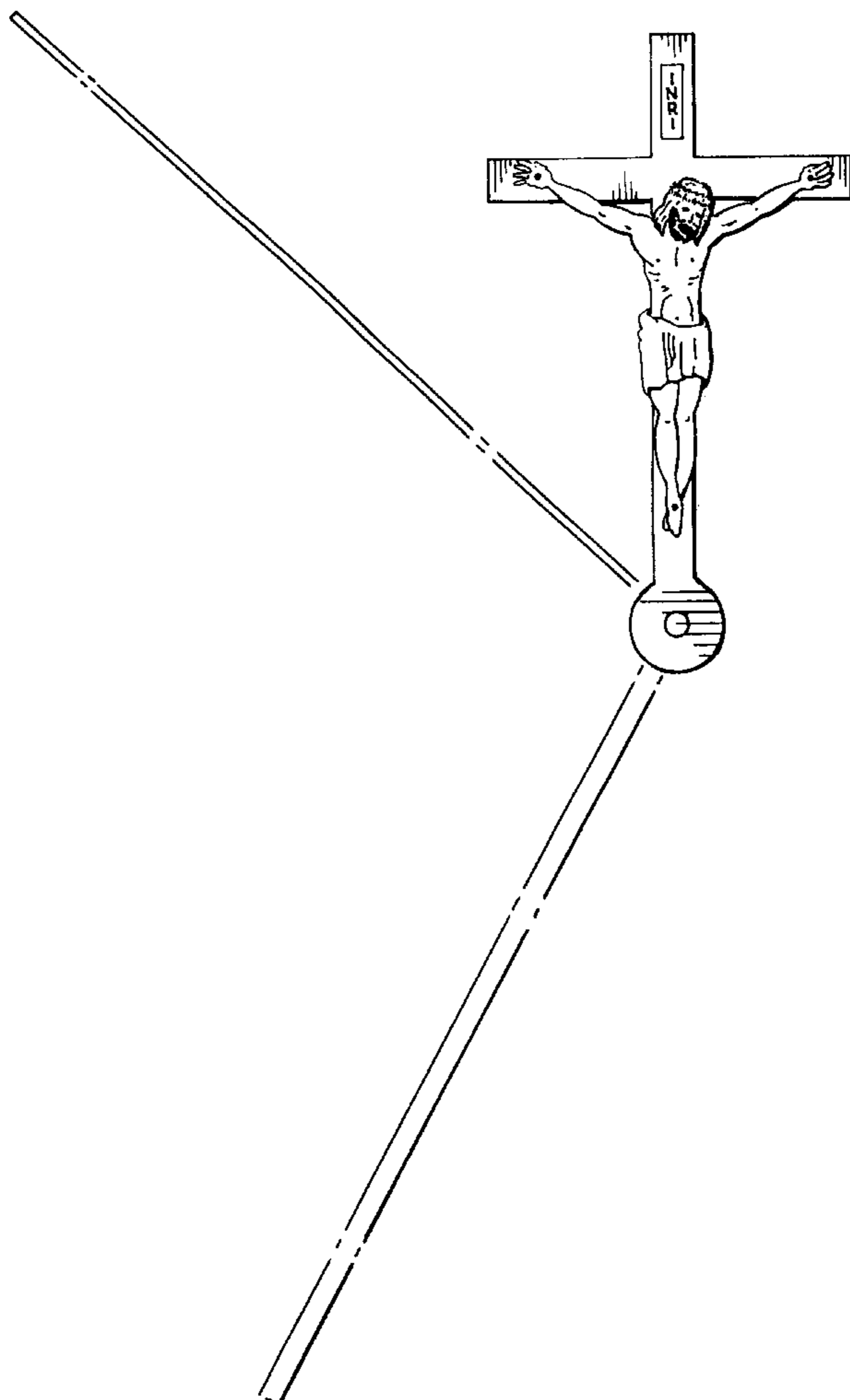
[57] CLAIM

An ornamental design for hands for a timepiece, as shown and described.

DESCRIPTION

FIG. 1 is a front elevational view of an embodiment of the design of the invention illustrating hands for a timepiece; FIG. 2 is an end view thereof; FIG. 3 is a front elevational view of an alternative embodiment of the design of the invention illustrating hands for a timepiece; and, FIG. 4 is an end view thereof. The broken-line drawings of FIGS. 1 through 4 are for illustrative purposes only and form no part of the claimed design.

1 Claim, 2 Drawing Sheets



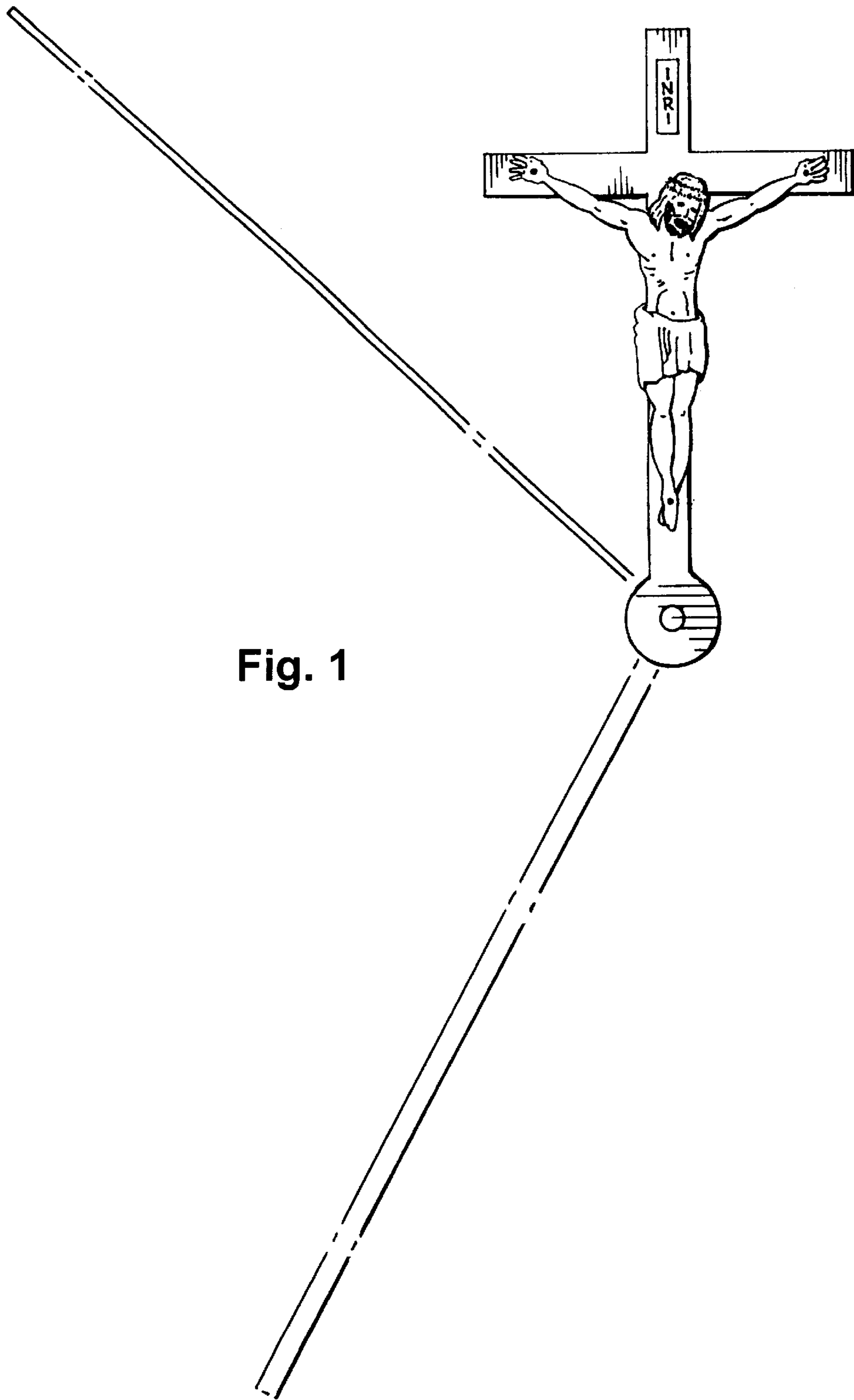


Fig. 1



Fig. 2

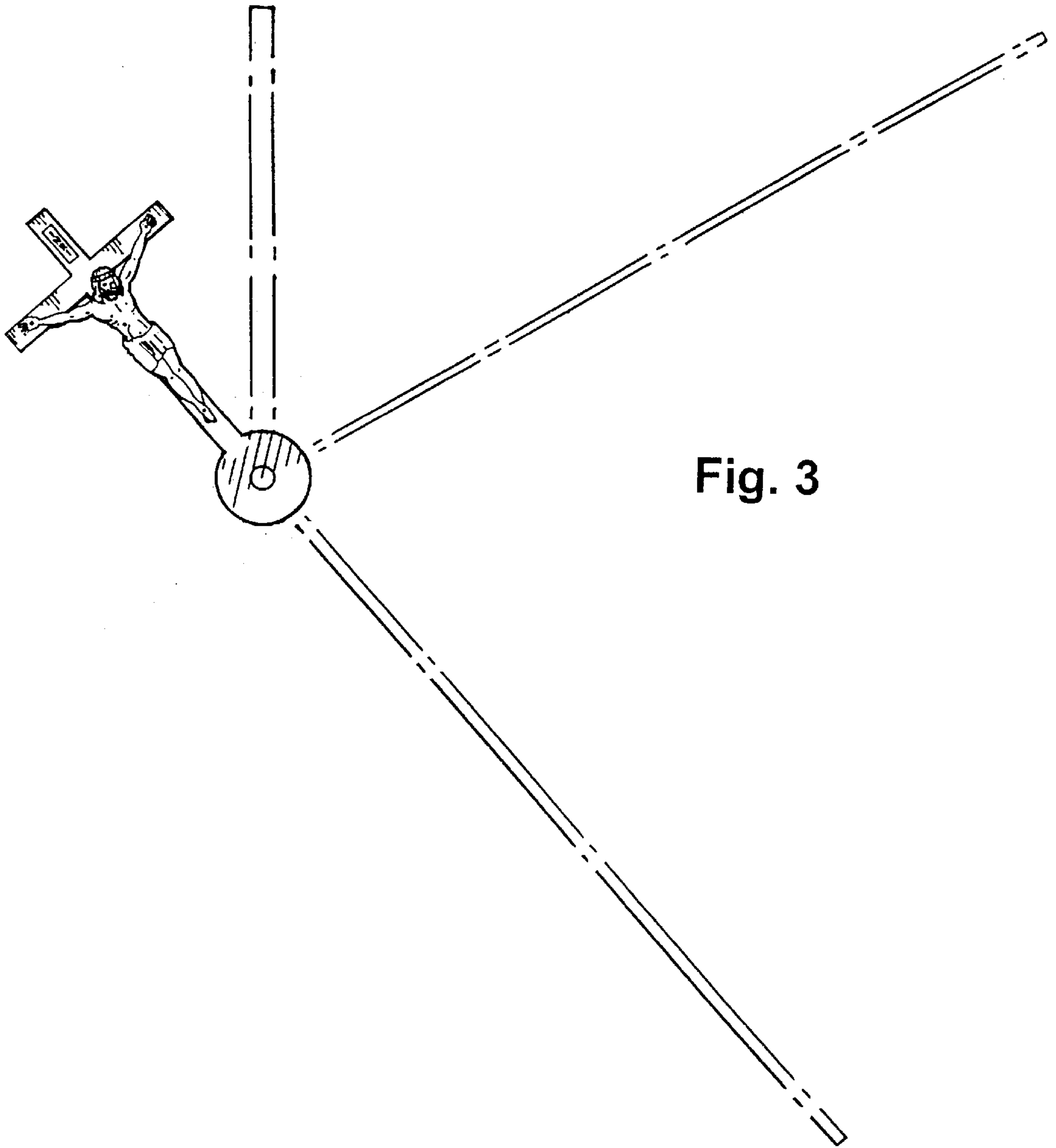


Fig. 3

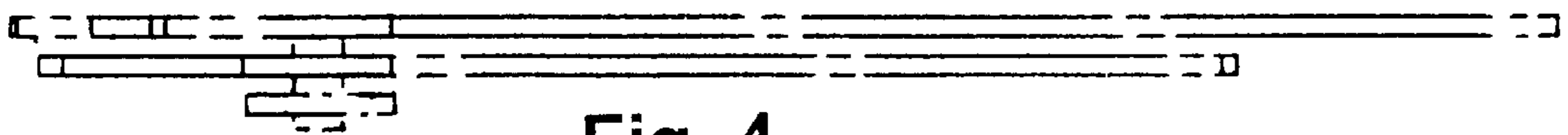


Fig. 4