



US00D433643S

# United States Patent [19] Quick

[11] **Patent Number: Des. 433,643**

[45] **Date of Patent: \*\* Nov. 14, 2000**

[54] **TELECOM SIGNAL DETECTOR**

D. 427,536 7/2000 Quick ..... D10/104

[75] Inventor: **Marshall A. Quick**, Sanford, N.C.

### OTHER PUBLICATIONS

[73] Assignee: **Sensor Technologies, Inc.**, Durham, N.C.

The design patent of this application is related to a prior filed US Utility Application Application No. 09/435,533, prior to Jan. 24, 2000.

[\*\*] Term: **14 Years**

*Primary Examiner*—Marcus A. Jackson  
*Attorney, Agent, or Firm*—William L. London

[21] Appl. No.: **29/117,433**

[22] Filed: **Jan. 24, 2000**

[51] **LOC (7) Cl.** ..... **10-05**

[52] **U.S. Cl.** ..... **D10/104**

[58] **Field of Search** ..... D10/104, 106,  
D10/116, 121; 340/545, 546, 547, 551,  
565, 571, 572, 573

### [57] CLAIM

The ornamental design for a telecom signal detector, substantially as shown.

### DESCRIPTION

### [56] References Cited

#### U.S. PATENT DOCUMENTS

- D. 351,564 10/1994 Schepis ..... D10/104
- D. 355,616 2/1995 Gregg, III et al. .... D10/104
- D. 385,207 10/1997 Uruoy ..... D10/104

FIG. 1 is a perspective view of a design for a telecom signal detector.

FIG. 2 is a top view.

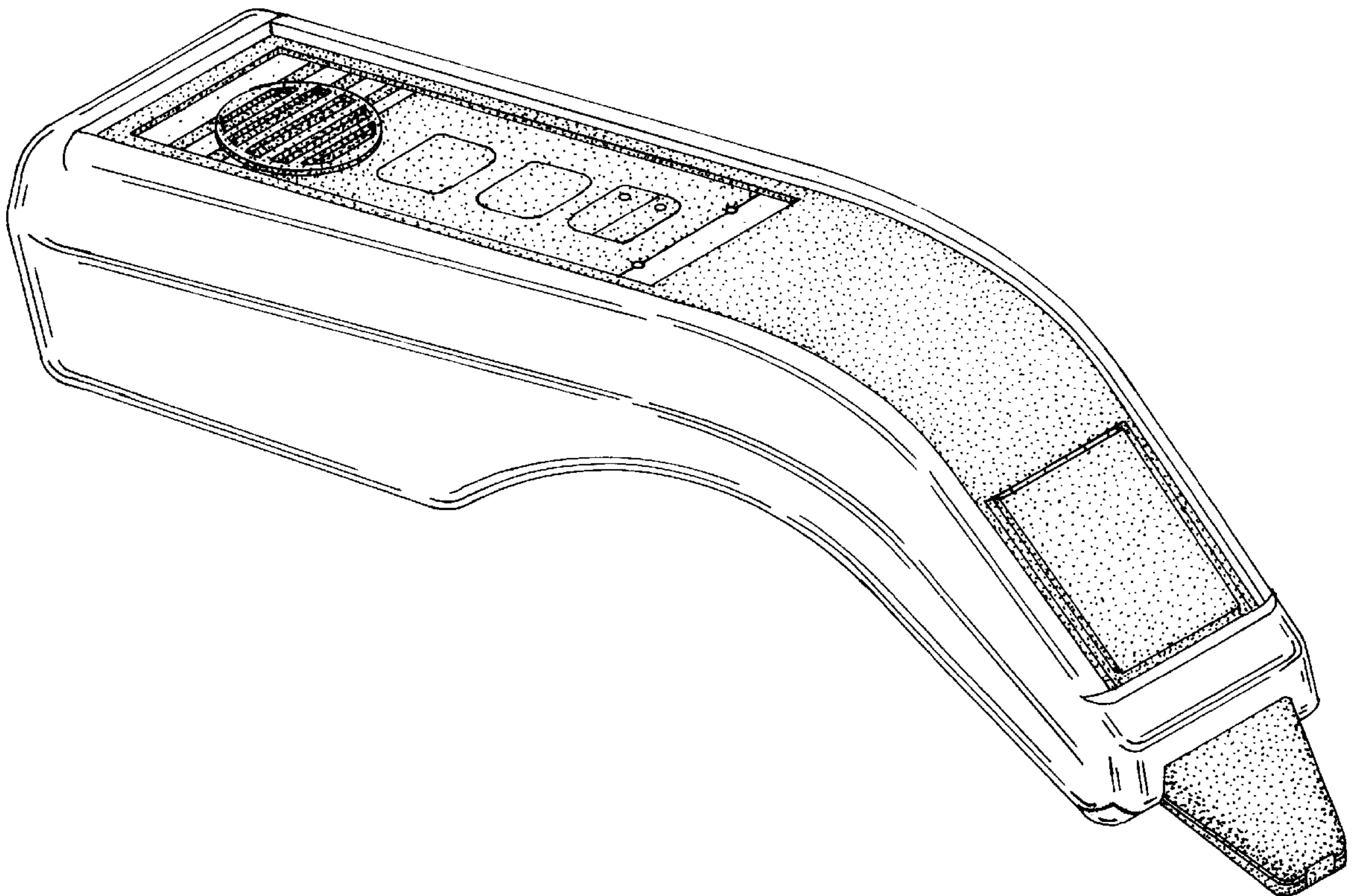
FIG. 3 is a bottom view.

FIG. 4 is a side view.

FIG. 5 is a front view; and,

FIG. 6 is a rear view.

**1 Claim, 4 Drawing Sheets**



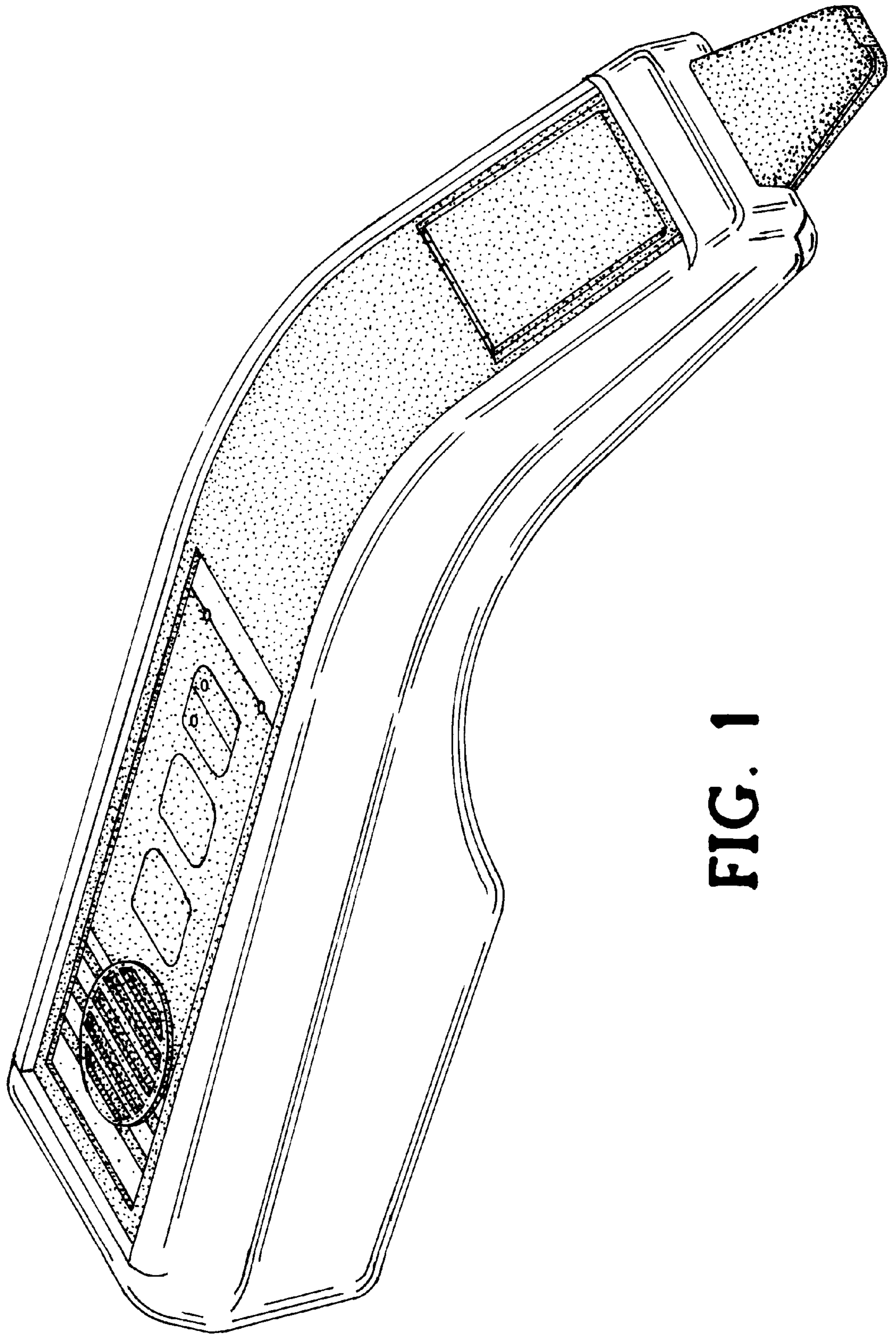


FIG. 1

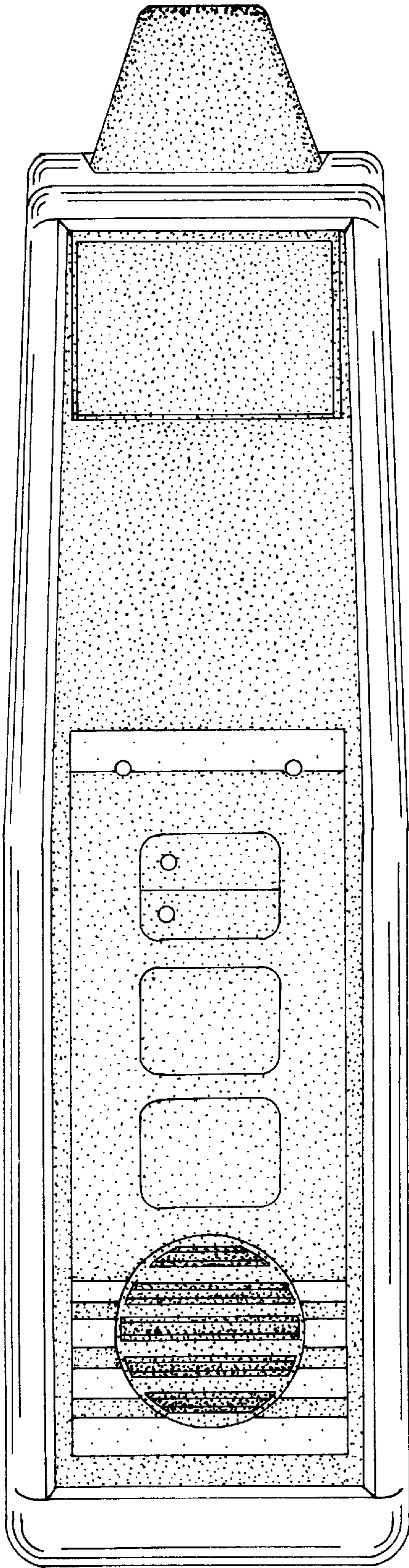


FIG. 2

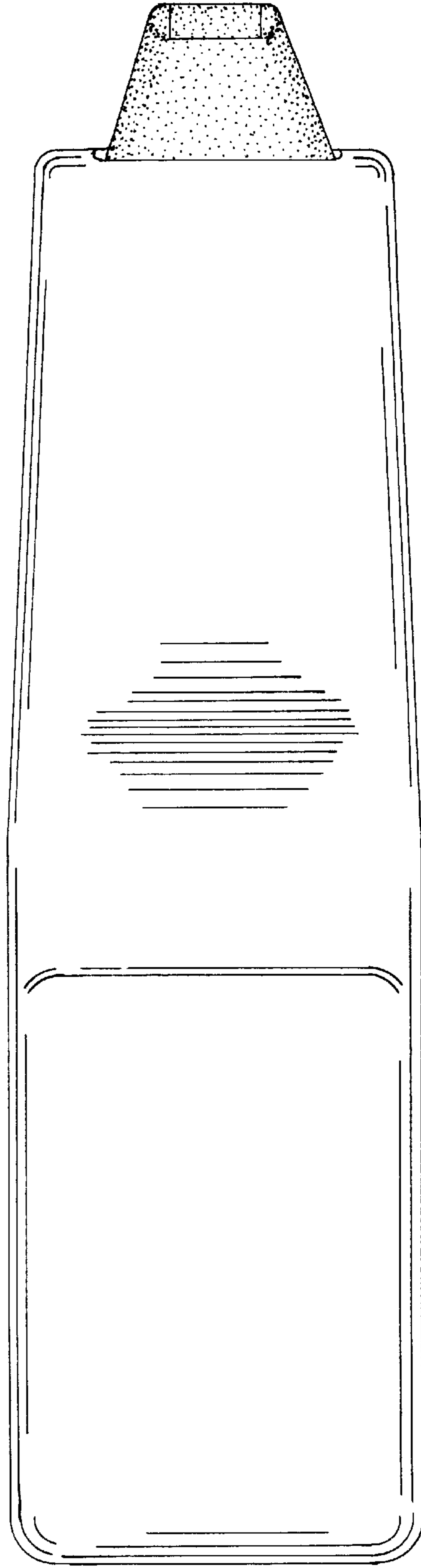
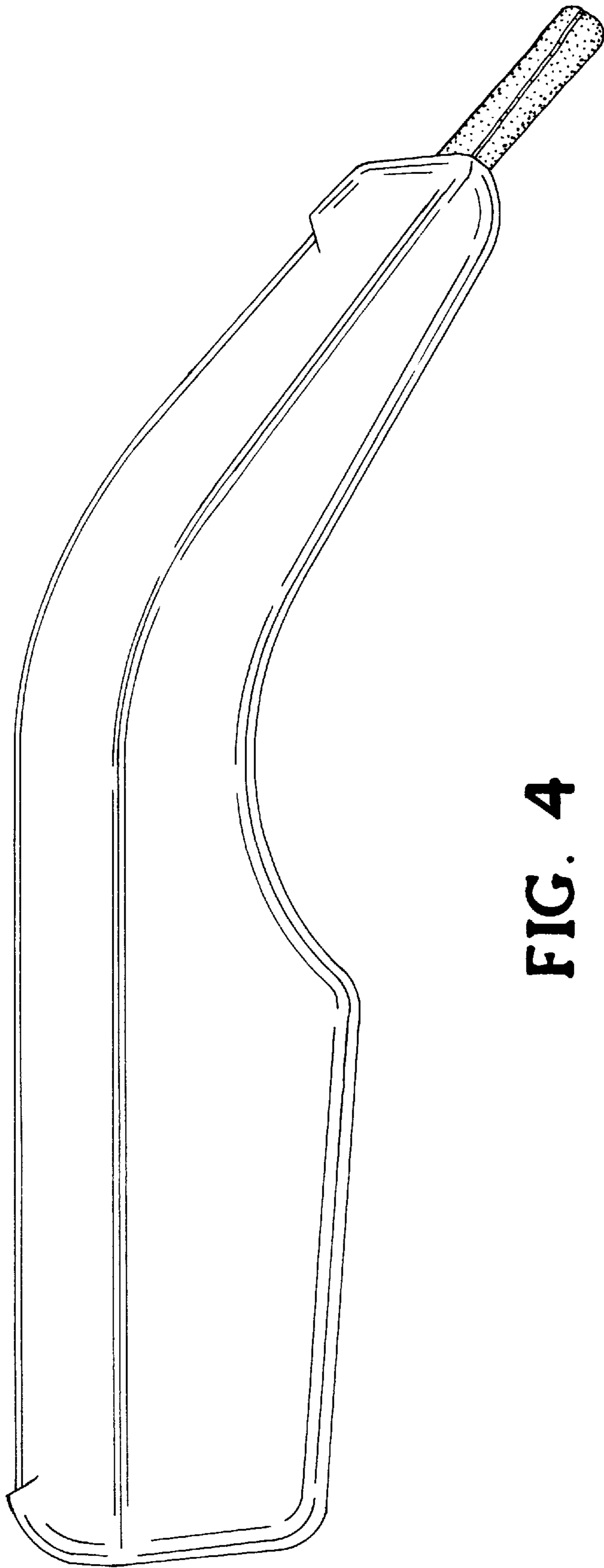
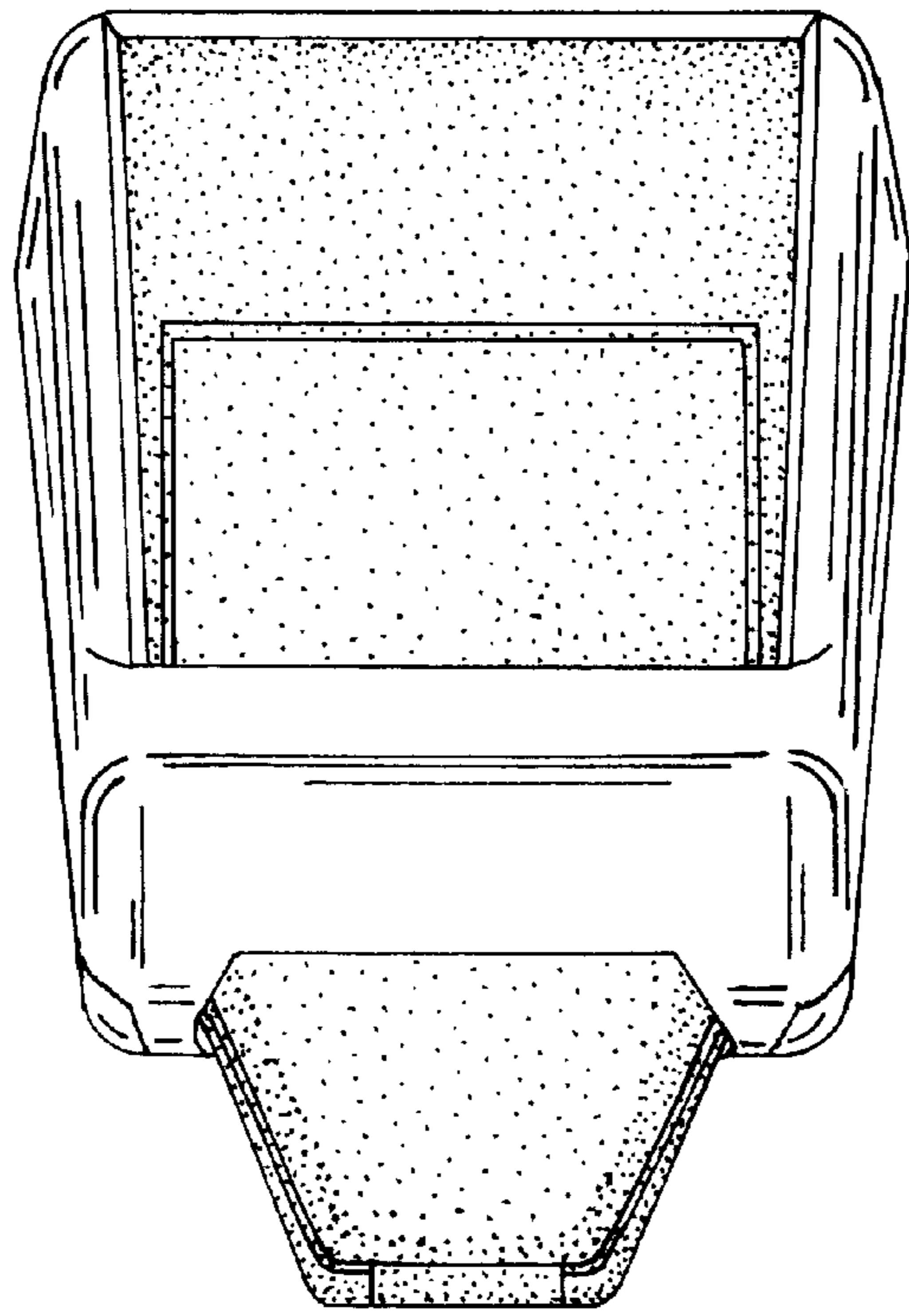


FIG. 3

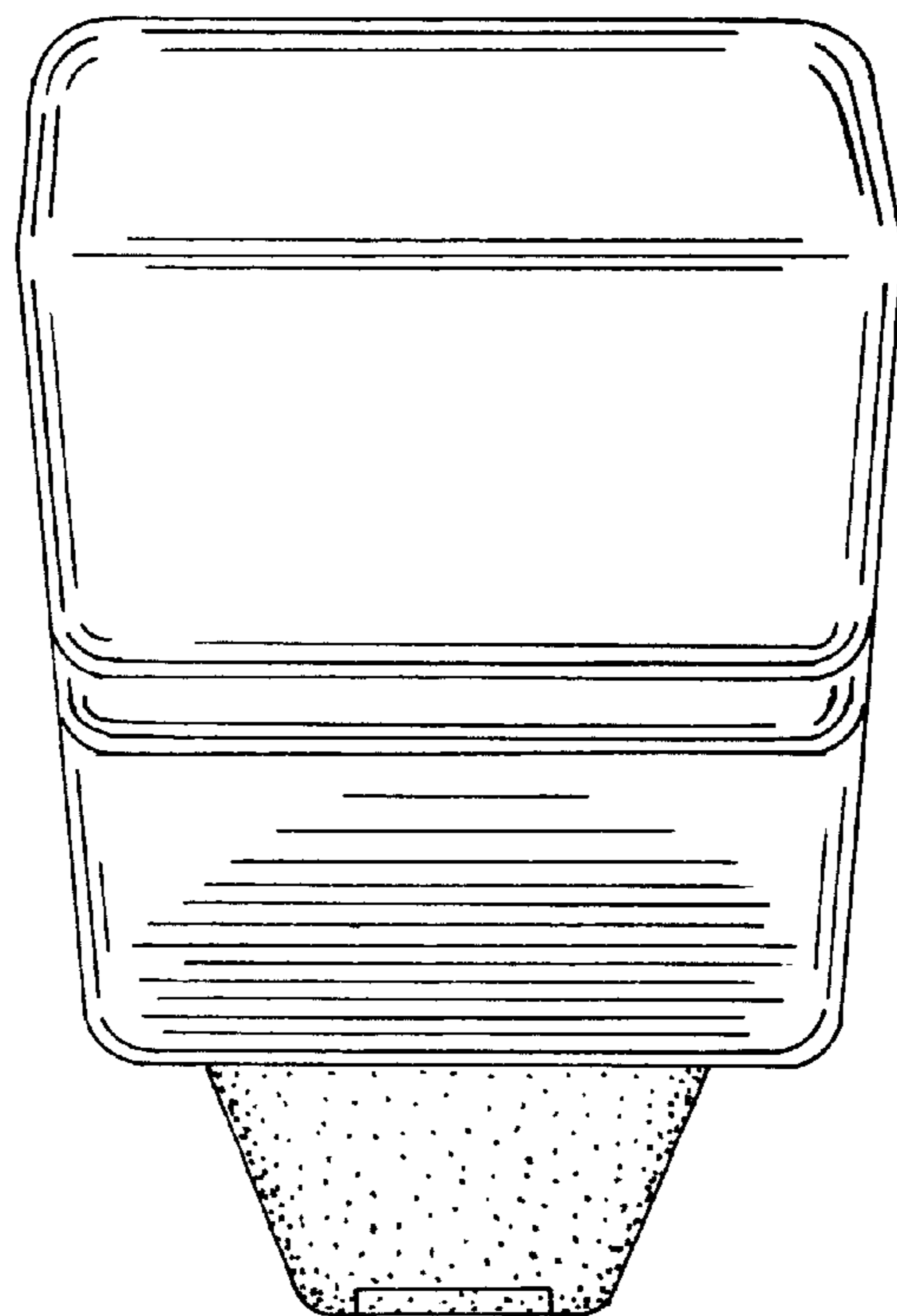




**FIG. 4**



**FIG. 5**



**FIG. 6**